

SPEAKMAN® SE-505

Wall Mounted Rectangular Eyewash Bowl

FEATURES:

- Stainless steel bowl
- (2) yellow plastic aerated spray heads
- ½ in. NPT female brass, chrome plated valve
- Stainless steel trigger bar activator
- ½ in. NPT female inlet
- Volume control
- 3.0 GPM @ 30 psi
- Universal emergency sign included

FINISHES:



Stainless Steel

COMPLIANCE:

- Certified to ANSI/ISEA Z358.1

OPTIONS:

Add suffix to model #

- | | |
|---|---------------------------------|
| • Freeze protection valve | <input type="checkbox"/> -FPV |
| • Hand/foot operation | <input type="checkbox"/> -HFO |
| • SE-920 hand held drench hose | <input type="checkbox"/> -HS |
| • In-line strainer for ½ in. IPS piping | <input type="checkbox"/> -ILS |
| • P-Trap | <input type="checkbox"/> -PT |
| • Scald protection valve | <input type="checkbox"/> -SPV |
| • ½ in. stainless steel ball valve | <input type="checkbox"/> -SSBV2 |

WARRANTY:

- 3 year limited

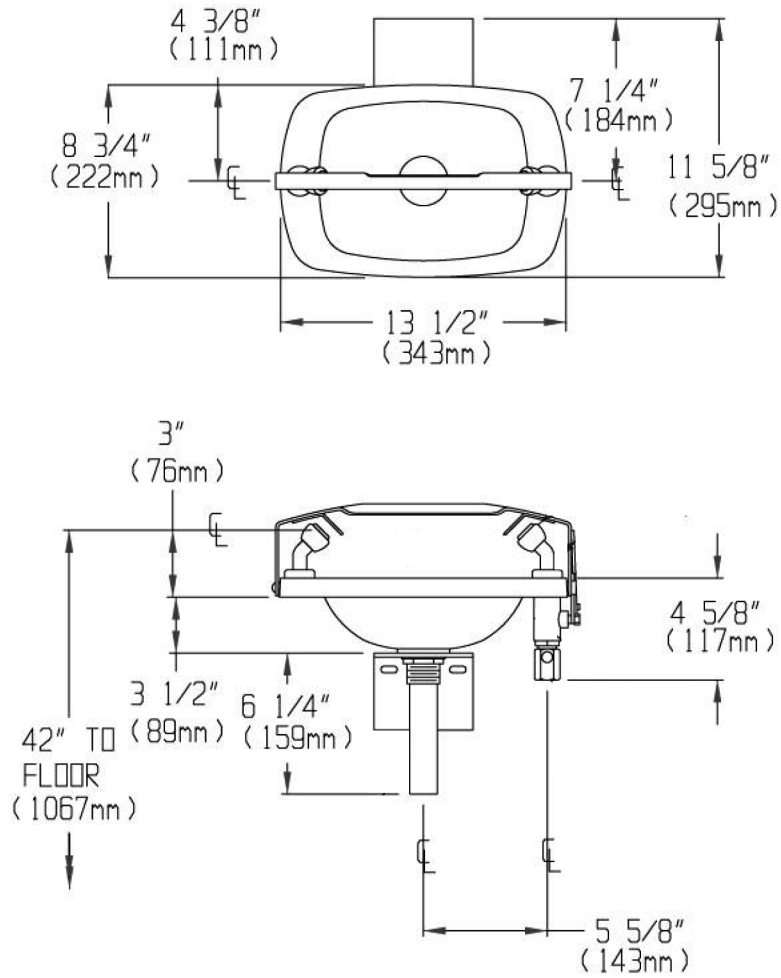


Architect/Engineer Approval Space:

SPEAKMAN
400 ANCHOR MILL ROAD
NEW CASTLE, DE 19720

P: 800-537-2107
F: 800-977-2747
W: WWW.SPEAKMAN.COM
R: MARCH 2017

DIMENSIONS: NOTE: 1. All dimensions are in inches (millimeters) unless otherwise specified and are subject to change without notice.



SPEAKMAN® SE-565

Countertop Mounted Rectangular Eyewash Bowl

FEATURES:

- Stainless steel bowl
- (2) yellow nylon spray heads
- ½ in. NPT female brass, chrome plated valve
- Stainless steel trigger bar activator
- ½ in. NPT female inlet
- Volume control
- 3.0 GPM @ 30 PSI
- Universal emergency sign included

FINISHES:



Stainless Steel

COMPLIANCE:

- Certified to ANSI/ISEA Z358.1

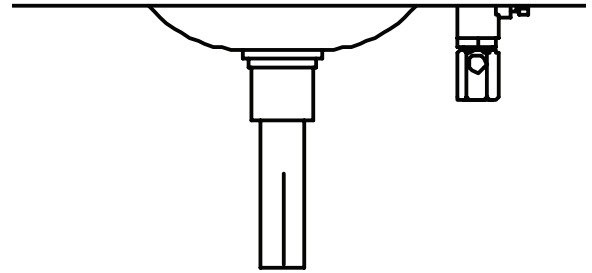
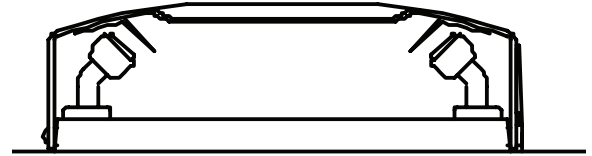
OPTIONS:

Add suffix to model #

- | | |
|---|---------------------------------|
| • Freeze protection valve | <input type="checkbox"/> -FPV |
| • Hand/foot operation | <input type="checkbox"/> -HFO |
| • SE-920 hand held drench hose | <input type="checkbox"/> -HS |
| • In-line strainer for ½ in. IPS piping | <input type="checkbox"/> -ILS |
| • P-Trap | <input type="checkbox"/> -PT |
| • Scald protection valve | <input type="checkbox"/> -SPV |
| • ½ in. stainless steel ball valve | <input type="checkbox"/> -SSBV2 |

WARRANTY:

- 3 year limited



Architect/Engineer Approval Space:

SPEAKMAN
400 ANCHOR MILL ROAD
NEW CASTLE, DE 19720

P: 800-537-2107
F: 800-977-2747
W: WWW.SPEAKMAN.COM
R: MARCH 2017

DIMENSIONS: NOTE: 1. All dimensions are in inches (millimeters) unless otherwise specified and are subject to change without notice.

