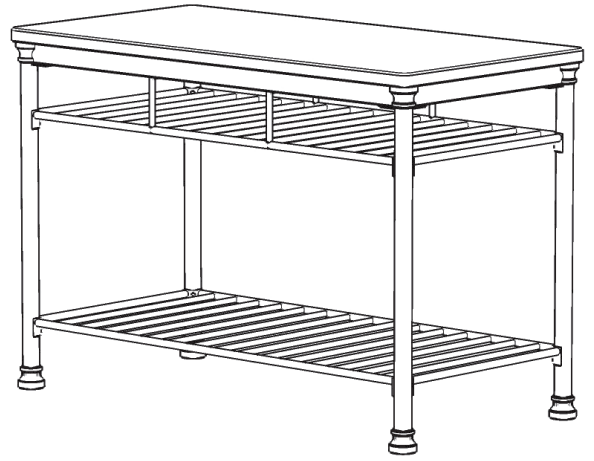


homestyles®

5061-941 Kitchen Island



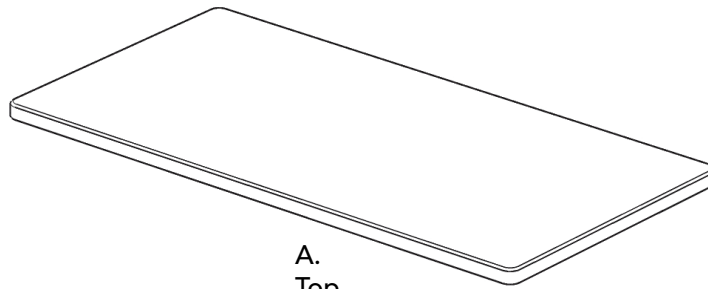
IMPORTANT

Carefully remove all the parts from the carton and place them individually on a soft cloth to prevent scratches or other damage.

Carefully and strictly follow these assembly instructions to ensure a completed product as designed.

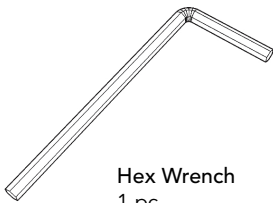
Do not use power tools above 8 volts to assemble.

Part List



A.
Top
1 pc.

Hardware List



Hex Wrench
1 pc.



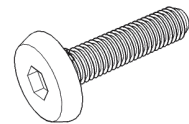
Small Hex Wrench
1 pc.



Flat Washer
10 pcs. (+1 extra)



Spring Washer
10 pcs. (+1 extra)



M6x25
Head Cap Bolt
10 pcs. (+1 extra)

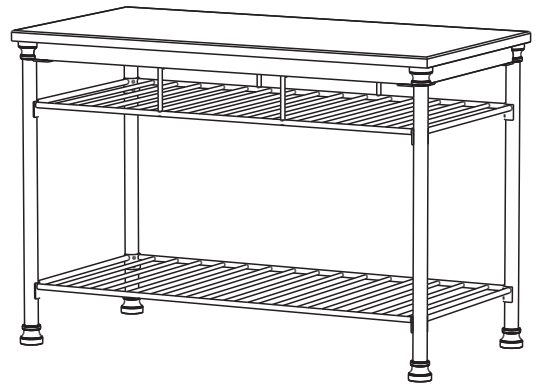
Care Instructions

This solid wood top cannot be used as a cutting or chopping board. Do not use knives or any sharp objects directly on the top. Follow the Care Instructions on the last page of the 5060-942 Kitchen Island Assembly Instructions.

For assembly see instructions in carton 5060-942.

homestyles Customer Service: www.homestylesfurniture.com,
servicedesk@homestylesfurniture.com, 888-680-7460

Kitchen Island



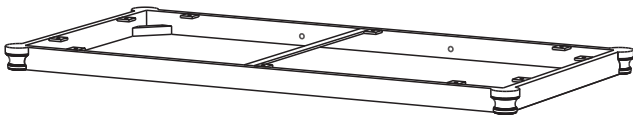
IMPORTANT

Carefully remove all the parts from the carton and place them individually on a soft cloth to prevent scratches or other damage.

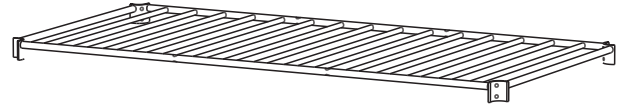
Carefully and strictly follow these assembly instructions to ensure a completed product as designed.

Do not use power tools above 8 volts to assemble.

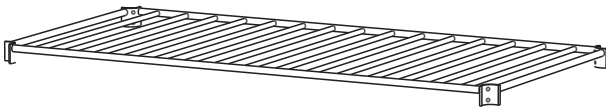
Part List



B.
Apron
1 pc.



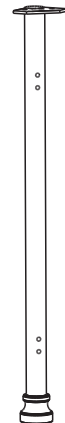
C.
Shelf
1 pc.



D.
Shelf
1 pc.



E.
Support
4 pcs.



F.
Post
4 pcs.

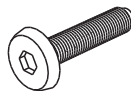
Hardware List



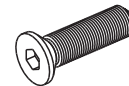
Hex Wrench
1 pc.



Spring Washer
14 pcs. (+1 extra)



M6x19
Head Cap Bolt
14 pcs. (+1 extra)



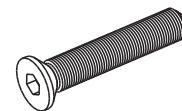
M6x19
Head Cap Bolt (short)
28 pcs. (+1 extra)



Small Hex Wrench
1 pc.



Flat Washer
14 pcs. (+1 extra)



M6x32
Head Cap Bolt (long)
4 pcs. (+1 extra)

Carton 5060-94Q1, 5061-941 or 5064-941 is also needed for assembly.

Tool(s) required for assembly: Level

homestyles Customer Service: www.homestylesfurniture.com,
servicedesk@homestylesfurniture.com, 888-680-7460

Assembly Instructions 2/4

IMPORTANT

- Use a soft cloth between these parts and the floor.
- Do not use power tools above 8 volts to assemble.
- Do not tighten all the bolts until each part is properly assembled.
- The unit must be level to work properly. Use the included adjustable levelers to level.
- Keep Hex Wrench as the bolts may need to be tightened in the future.

STEP 1

Place Top (A) upside down on a soft cloth.

Attach Apron (B) to Top (A) with Flat Washers, Spring Washers and Head Cap Bolts, tightening bolts only halfway. (See Figure 1)

Tighten all bolts used in this step.

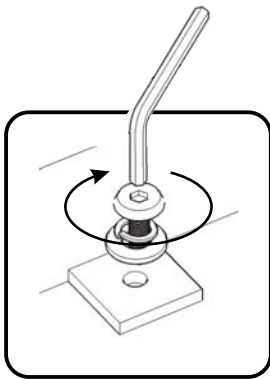
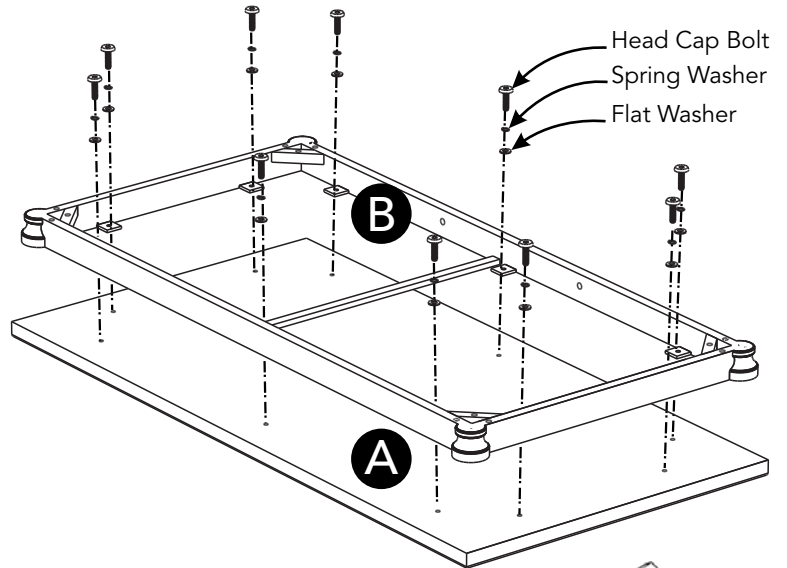


Figure 1

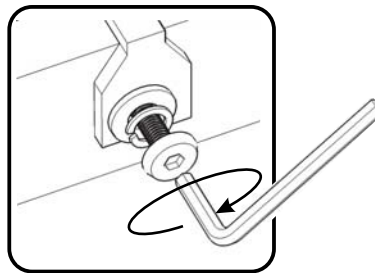


Figure 2

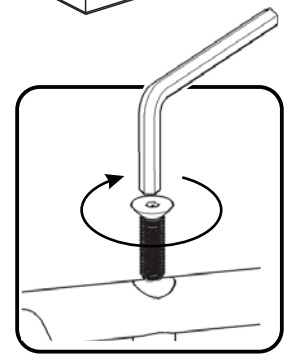
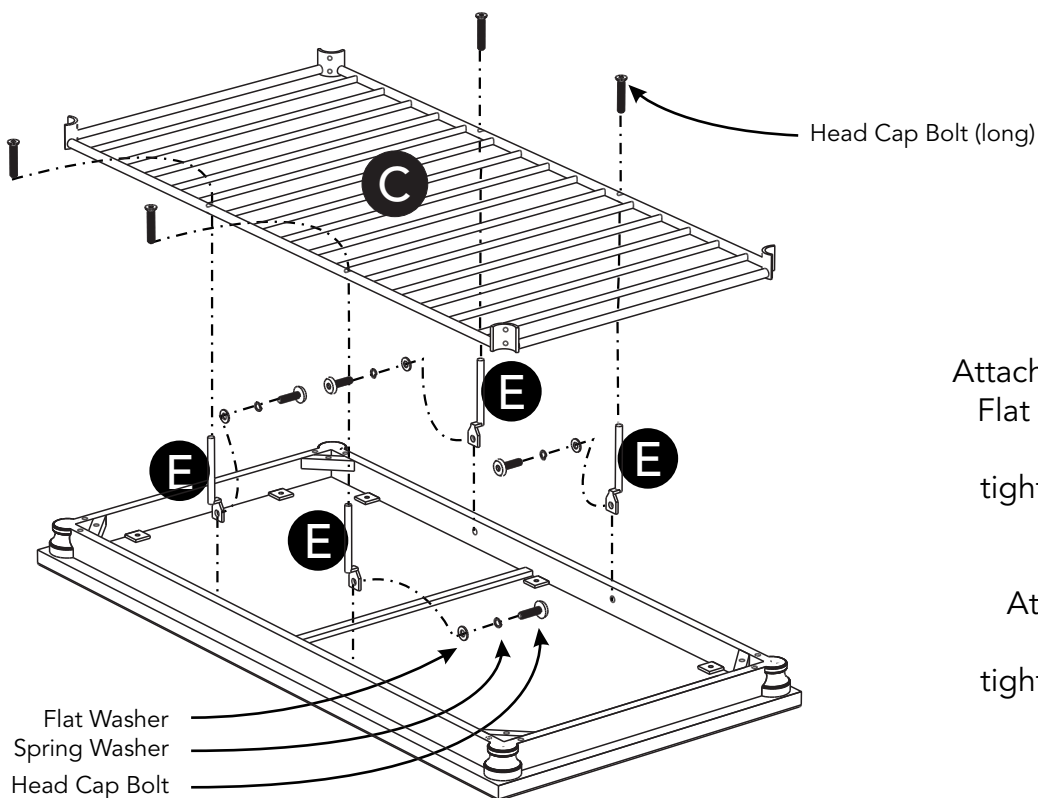


Figure 3



STEP 2

Attach Supports (E) to unit with Flat Washers, Spring Washers and Head Cap Bolts, tightening bolts only halfway. (See Figure 2)

Attach Shelf (C) to unit with Head Cap Bolts (long), tightening bolts only halfway. (See Figure 3)

Assembly Instructions 3/4

STEP 3

Attach Posts (F) to unit with Head Cap Bolts (short), tightening bolts only halfway. (See Figures 4 and 5)

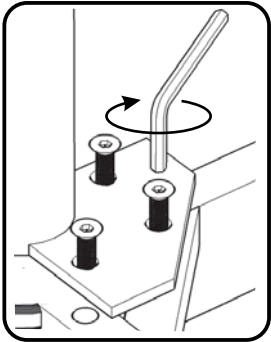


Figure 4

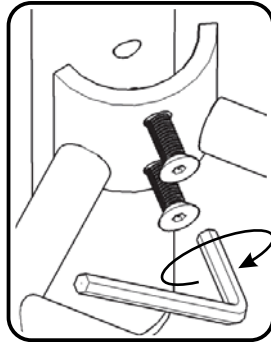
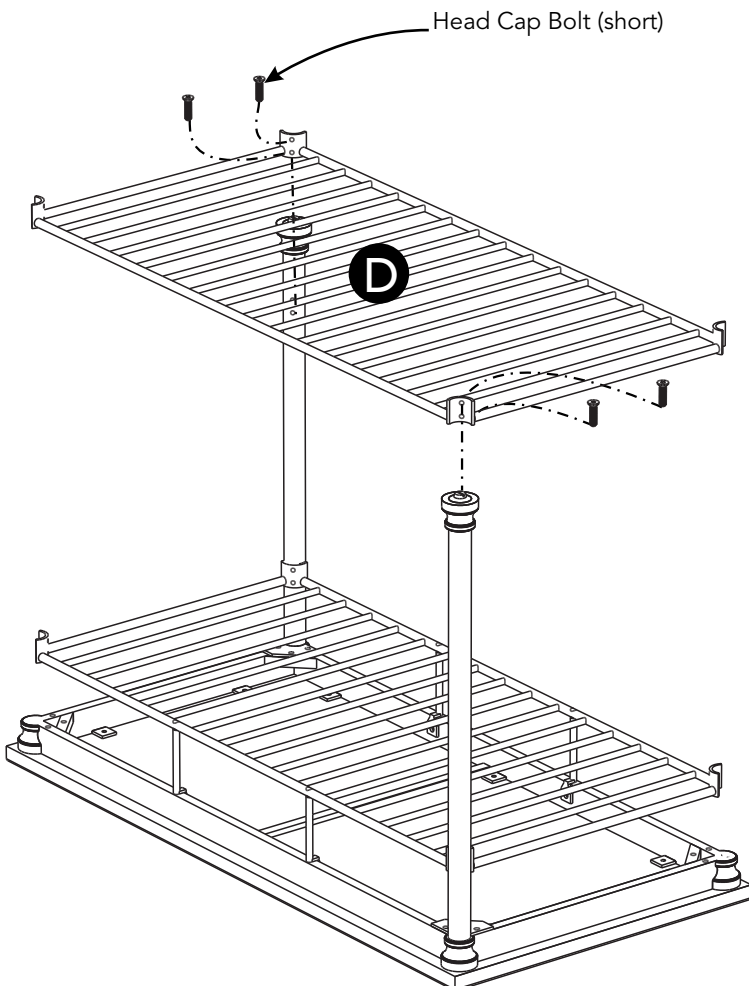
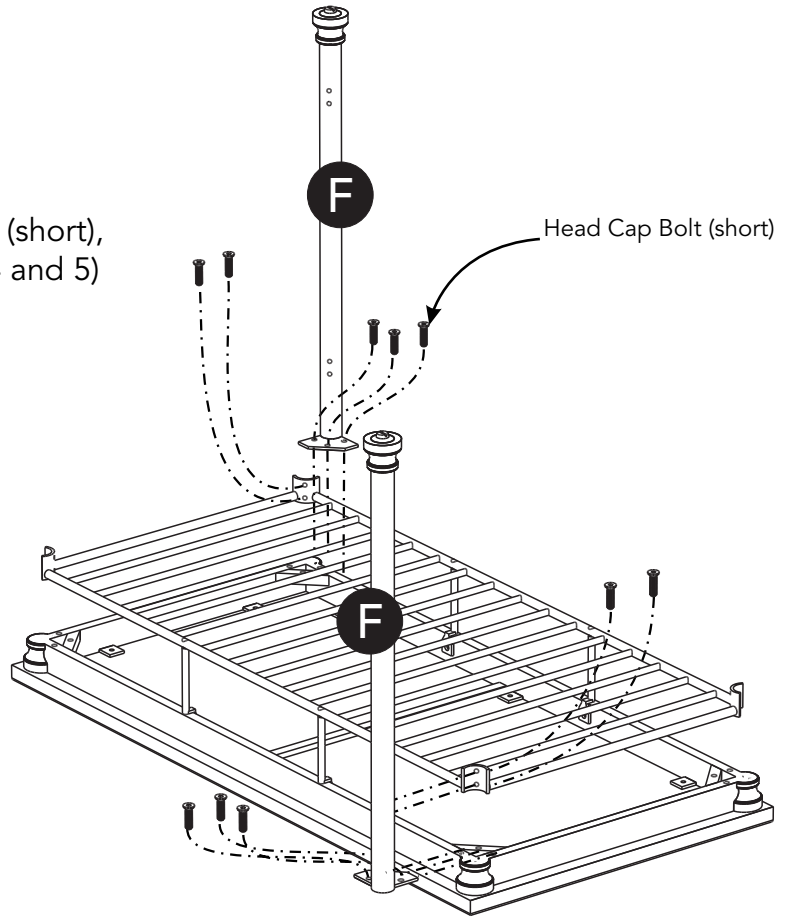


Figure 5

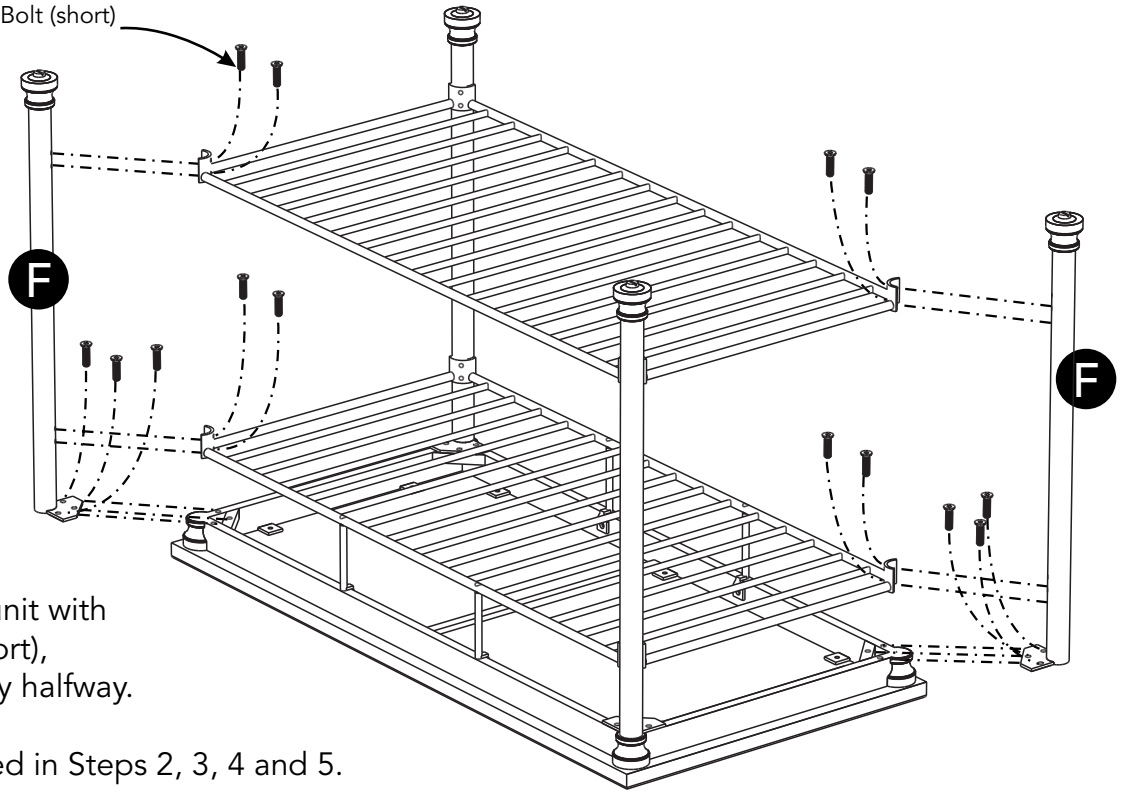


STEP 4

Attach Shelf (D) to unit with Head Cap Bolts (short), tightening bolts only halfway.

Assembly Instructions 4/4

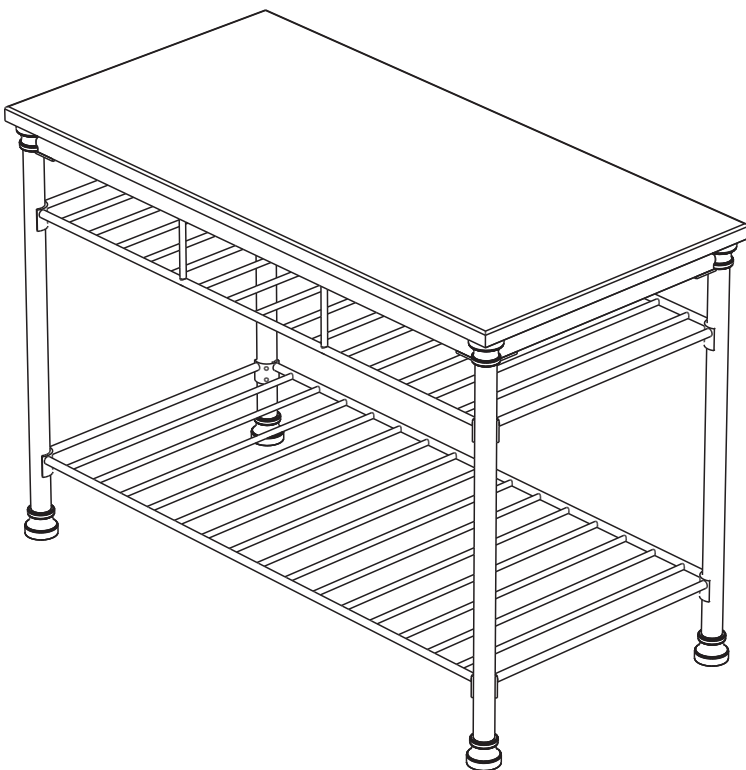
Head Cap Bolt (short)



STEP 5

Attach Posts (F) to unit with Head Cap Bolts (short), tightening bolts only halfway.

Tighten all bolts used in Steps 2, 3, 4 and 5.



STEP 6

Turn unit over to its upright position.

Level unit by adjusting the adjustable levelers on bottom of unit. (See Figure 6)

Note: Unit must be level to work properly.

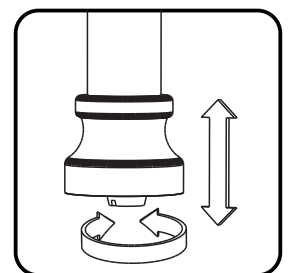


Figure 6

CARE INSTRUCTIONS

NEVER

allow liquids to remain on furniture.
Absorption causes parts to warp
and split and finishes to delaminate.

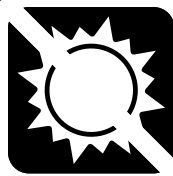
NEVER

use glass cleaners on
finished furniture. Ammonia
chemically attacks the finish.



Do not use power tools
above 8 volts to assemble.

**PREVENT
CRACKING**



Do not place
in direct sunlight.

**PREVENT
FADING**



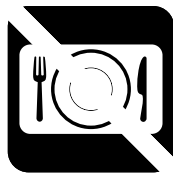
Do not write
directly on surface.

**PREVENT
MARKING**



Do not place hot
objects on surface.

**PREVENT
FINISH DAMAGE**



Do not use rubber
based placemats.

**PREVENT
DISCOLORING**



Do not use commercial
waxes and polishes.

**PREVENT
YELLOWING**

CLEAN

with a soft cloth moistened
in lukewarm soap and water.
Buff with a dry clean cloth.



homestyles will provide replacements free of charge for missing or damaged parts within 1 year of purchase. Digital images of the defective parts may be required. If the product was not purchased from an authorized retailer, **homestyles** is under no obligation to provide replacement parts. Parts are not available for fully assembled items nor are parts available for sale. Replacements for missing or damaged parts may be requested via contact info below.

homestyles Customer Service: www.homestylesfurniture.com,
servicedesk@homestylesfurniture.com, 888-680-7460