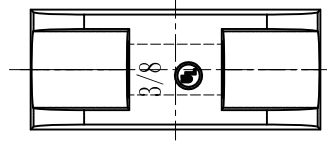
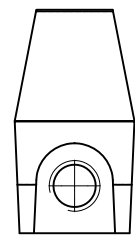
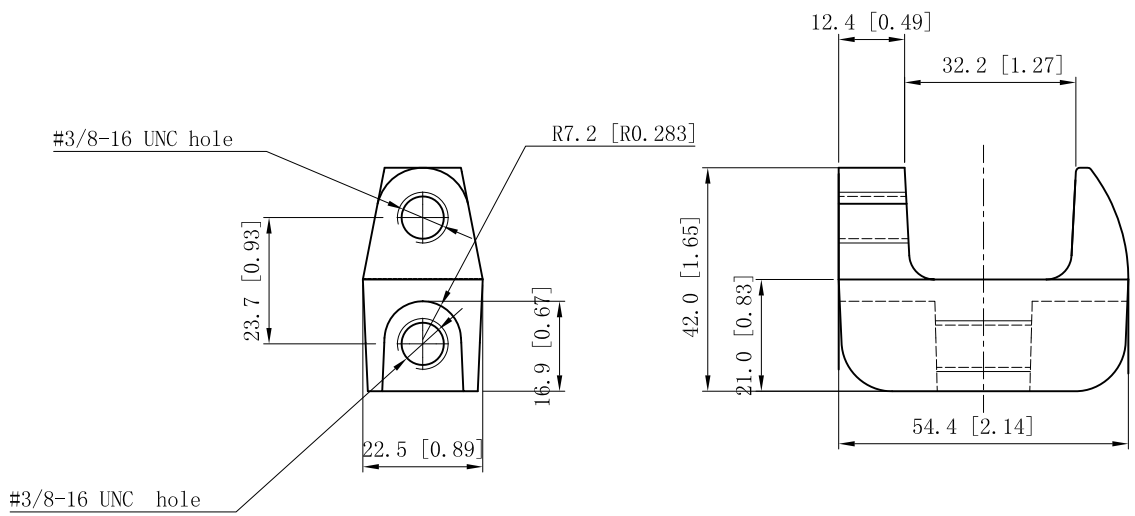
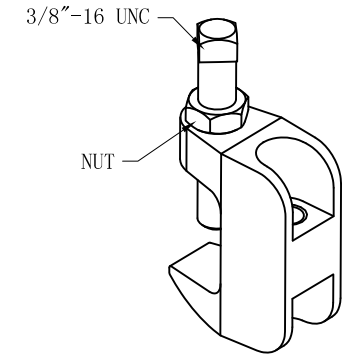
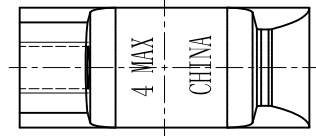


SIDES	BOTTOM
1 PCS 3/8-16×2 Screws Installed	
1 PCS 3/8-16 Nut Installed	
Material:Steel-Malleable Lron 32510 Sandblast	



DESCRIPTION
TRADE REFERENCE TERMS

This data sheet is for reference only .GARVIN INDUSTRIES reserves the right to make changes to the design without prior notice.

STANDARD PACKING	<h1 style="text-align: center;">GARVIN INDUSTRIES</h1> <h2 style="text-align: center;">PIPE-FITTERS TOP BEAM CLAMP</h2>		
25/250 PCS			
TITLE	SIZE	DWG NO.	REV
	A4	MFC-3816	
DATA SHEET			