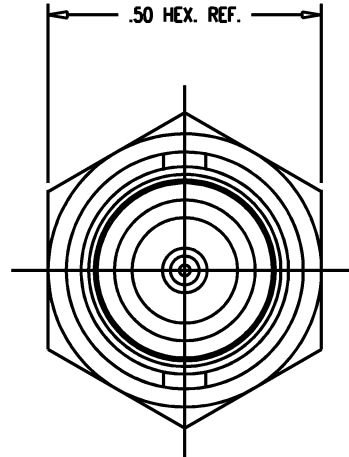
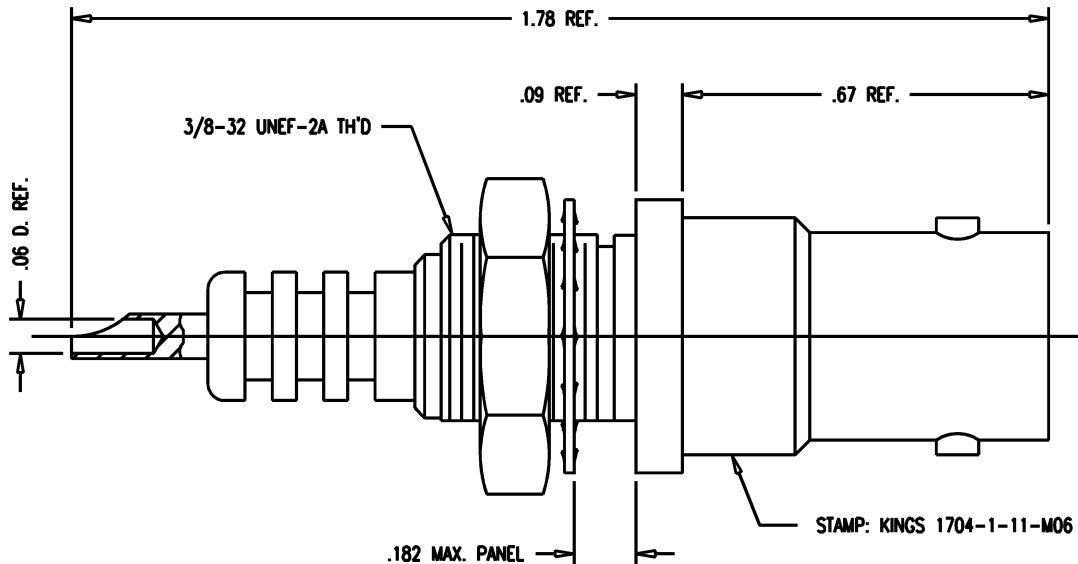


DASH NO.	M CODE	MADE FROM
----------	--------	-----------

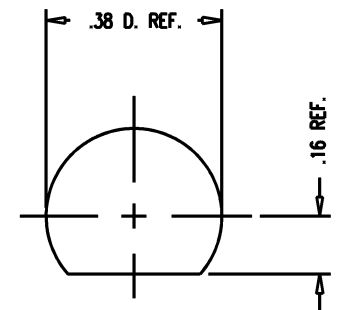
GSD

1704-1-11-M06

REVISIONS	
ISSUE	CHANGES
1	CN 36988 C REDRAWN KH 06/06/96
2	CN 38838 C BDH 04/30/03
3	CN 39696 C PMC 11/14/06



- NOTES:**
- INTERFACE PER MIL-STD-348, FIG. 314-1.
 - MATERIALS:**
INSULATOR: REXOLITE, L-P-516
LOCKWASHER: PHOSPHOR BRONZE, QQ-B-750
ALL OTHER METAL PARTS: BRASS, ASTM-B16
 - FINISHES:**
CENTER CONTACT: GOLD PLATE PER MIL-G-45204
ALL OTHER METAL PARTS: KINGS TARNISH RESISTANT FINISH (TR-5)
 - ELECTRICAL CHARACTERISTICS:**
NOMINAL IMPEDANCE: NON-CONSTANT
VOLTAGE RATING: 3500 VRMS
5000 VDC



MOUNTING HOLE

GSD

SCALE 4:1	
APPROX SURFACE AREA	
USED ON	
REF:	
RECEPTACLE, BKHD, SHV, F	
DRAWN KH	DATE 06/06/96
DESIGN AR	DATE 06/07/96
APPR.	DATE
 ELECTRONICS CO., INC. ROCK HILL, SOUTH CAROLINA 29730	
1704-1-11-M06	