



JOHN DEERE

OPERATOR'S MANUAL

**Broadcast Spreader
LPBS36JD**

M158881-D
09 / 14 / 2021
English

Introduction

Using Your Operator's Manual

Read this entire operator's manual, especially the safety information, before operating.

This manual is an important part of your machine. Keep all manuals in a convenient location so they can be accessed easily.

Use the safety and operating information in the attachment operator's manual, along with machine operator's manual, to operate and service the attachment safely and correctly.

If your attachment manual has a section called Preparing the Machine, it means that you will have to do something to your tractor or vehicle before you can install the attachment. The Assembly and Installation sections of this manual provide information to assemble and install the attachment to your tractor or vehicle. Use the Service section to make any needed adjustments and routine service to your attachment.

If you have any questions or concerns with the assembly, installation, or operation of this attachment, see your local John Deere dealer.

Warranty information on this John Deere attachment can be found in the warranty statement included in this manual.

LPBS36JD

Product Compatibility

This spreader is designed for use with Select Series (X300 and X500) and Signature Series (X700) Lawn and Garden Tractors.

Table of Contents

Introduction	2
Safety	3 - 4
Parts	5 - 7
Assembly	8 - 16
Use and Care	
Installing / Removing	18
Storing	18
Operation	19 - 20
Maintenance	21 - 23
Troubleshooting	24
Specifications	24
Flow Control Settings	25 - 27
Calibration	28
Quality	28
Warranty	30

Record Product Information

In the event that you need to contact an Authorized Service Center for information on servicing your product, record the following information in the spaces provided below.

DATE OF PURCHASE:

DEALER NAME:

DEALER PHONE:

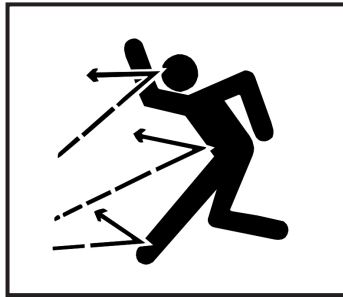
Original instructions. All information, illustrations and specifications in this manual are based on the latest information available at the time of publication. The right is reserved to make changes at any time without notice.

Safety

Read the general safety operating precautions in your machine operator's manual for additional safety information.

Operate Safely

- This attachment is intended for use in lawn care and home applications. Do not tow behind a vehicle on a highway or in any high speed application. Do not tow at speeds higher than maximum recommended towing speed.
- Towing speed should always be slow enough to maintain control. Travel slowly over rough ground.
- Do not let children or an untrained person operate machine.
- Do not let anyone, especially children, ride on machine or attachment. Riders are subject to injury such as being struck by foreign objects and being thrown off. Riders may also obstruct the operator's view, resulting in the machine being operated in an unsafe manner.
- Check machine brake action before you operate. Adjust or service brakes as necessary.
- Keep all nuts and bolts tight to be sure the equipment is in safe working condition.
- Keep all parts in good condition and properly installed. Fix damage immediately. Replace worn or broken parts. Replace all worn or damaged safety and instruction decals.
- Do not modify machine or safety devices. Unauthorized modifications to the machine or attachment may impair its function and safety.
- Securely anchor all loads to prevent loads from falling.
- Distribute load evenly for safe travel and unloading of cart.
- Do not obstruct the operator's view during use.



Towing Loads Safely

- Stopping distance increases with speed and weight of towed load. Travel slowly and allow extra time and distance to stop.
- Total towed weight must not exceed limits specified in towing vehicle operator's manual.
- Excessive towed load can cause loss of traction and loss of control on slopes. Reduce towed weight when operating on slopes.
- Never allow children or others in or on towed equipment.
- Use only approved hitches. Tow only with a machine that has a hitch designed for towing. Do not attach towed equipment except at the approved hitch point.
- Follow the manufacturer's recommendations for weight limits for towed equipment and towing on slopes. Use counterweights or wheel weights as described in the machine operator's manual.
- Do not turn sharply. Use additional caution when turning or operating under adverse surface conditions. Use care when reversing.
- Do not shift to neutral and coast downhill.

Protect Bystanders

- Keep bystanders away when you operate a towed attachment.
- Before you back machine and attachment, look carefully behind attachment for bystanders.

Keep Riders Off Towed Attachment

- Keep riders off of a towed attachment.
- Riders on a towed attachment are subject to injury, such as being struck by objects and being thrown off the attachment during sudden starts, stops and burns.
- Riders obstruct the operator's view, resulting in the attachment being used in an unsafe manner.
- Keep riders off of hitch bracket.

Safety

Read the general safety operating precautions in your machine operator's manual for additional safety information.

Avoid Injury From Drawbar

BEFORE disconnecting an attachment from the machine hitch plate:

- Unload attachment.
- Stop attachment on level ground.
- Stop machine engine.
- Lock machine park brake.
- Block attachment wheels.
- Make sure hands, feet or other body parts are not under towtube.

Wear Appropriate Clothing

- Always wear eye protection when operating the machine.
- Wear close fitting clothing and safety equipment appropriate for the job.
- While operating this machine, always wear substantial footwear and long trousers. Do not operate the equipment when barefoot or wearing open sandals.
- Wear a suitable protective device such as earplugs. Loud noise can cause impairment or loss of hearing.



Safety Labels

Understanding the Machine Safety Labels

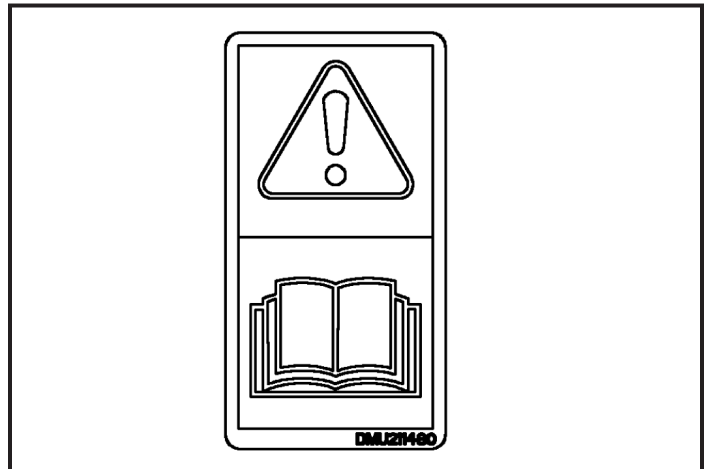


The machine safety labels shown in this section are placed in important areas on your machine to draw attention to potential safety hazards.

On your machine safety labels, the words DANGER, WARNING, and CAUTION are used with this safety-alert symbol. DANGER identifies the most serious hazards.

The operator's manual also explains any potential safety hazards whenever necessary in special safety messages that are identified with the word, CAUTION, and the safety-alert symbol.

WARNING DMU211480



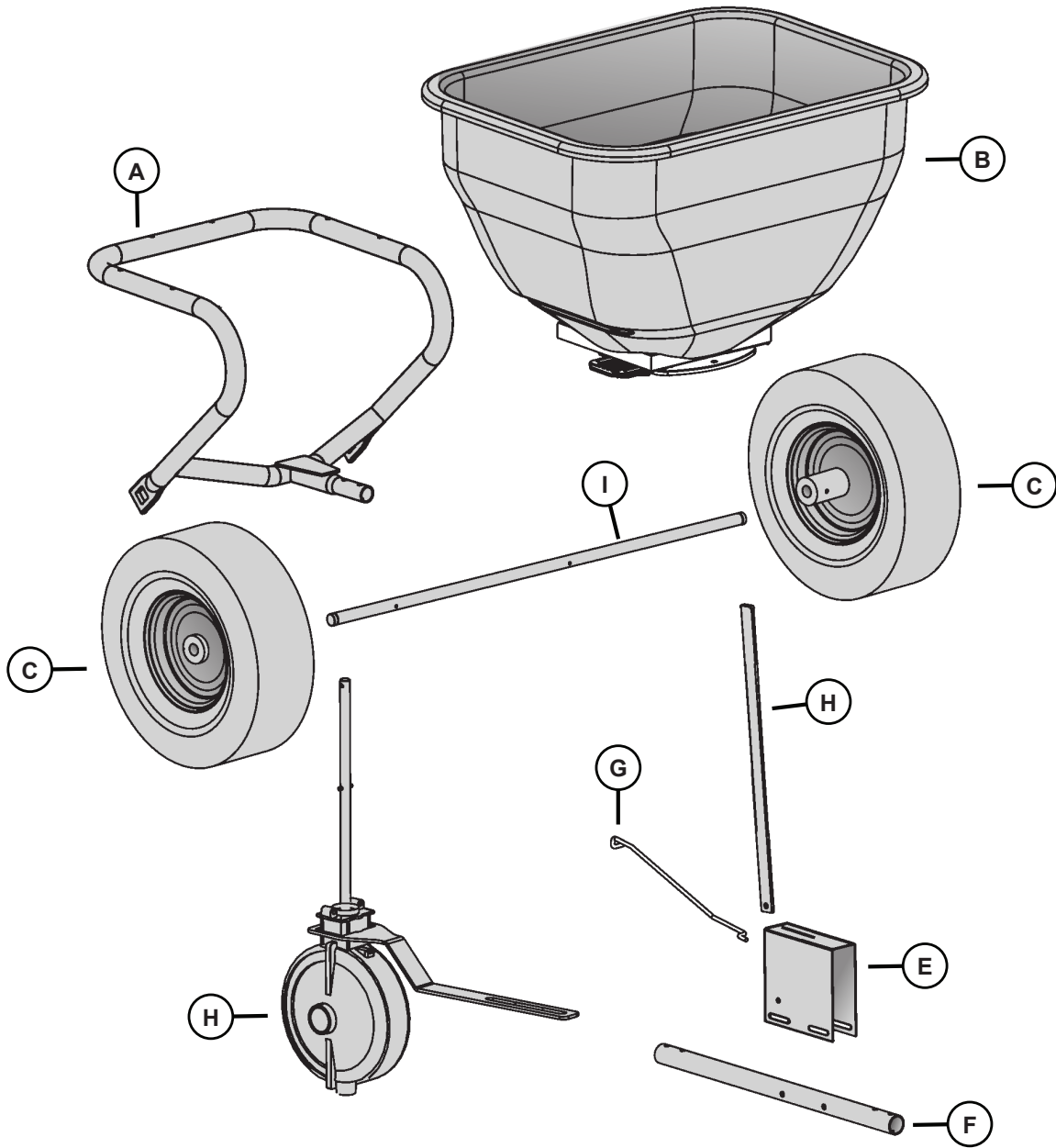
DMU211480

- This operator's manual contains important information necessary for safe machine operation. Observe all safety rules to avoid accidents.

Regarding No Text Labels

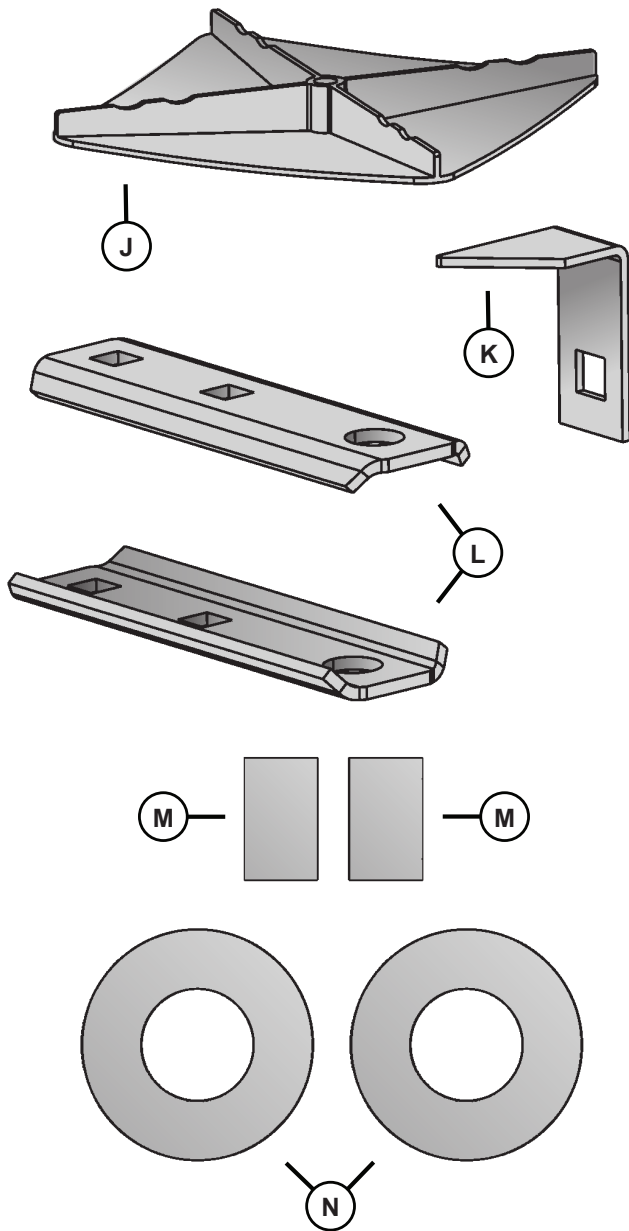
NOTE: No-text labels are required for certain regions of the world. Your spreader may not be equipped with this label.

Parts



Ref.	Description	Qty.	Ref.	Description	Qty.
(A)	Support Frame, Hopper	1	(F)	Tube, Tow	1
(B)	Hopper Assembly	1	(G)	Link Rod	1
(C)	Wheel	2	(H)	Transmission and Bracket	1
(D)	Handle, Flow Control	1	(I)	Axle	1
(E)	Gage Plate	1			

Parts



Hardware Bag (1019850)

Contents illustrated above

Ref.	Description	Qty.
(J)	Fan	1
(K)	Handle Stop	1
(L)	Clevis, Hitch	2
(M)	Spacer, 3/8 in. wide - for composite (plastic) rim wheels	2
(N)	Washer, 5/8 in. for composite (plastic) rim wheels	2

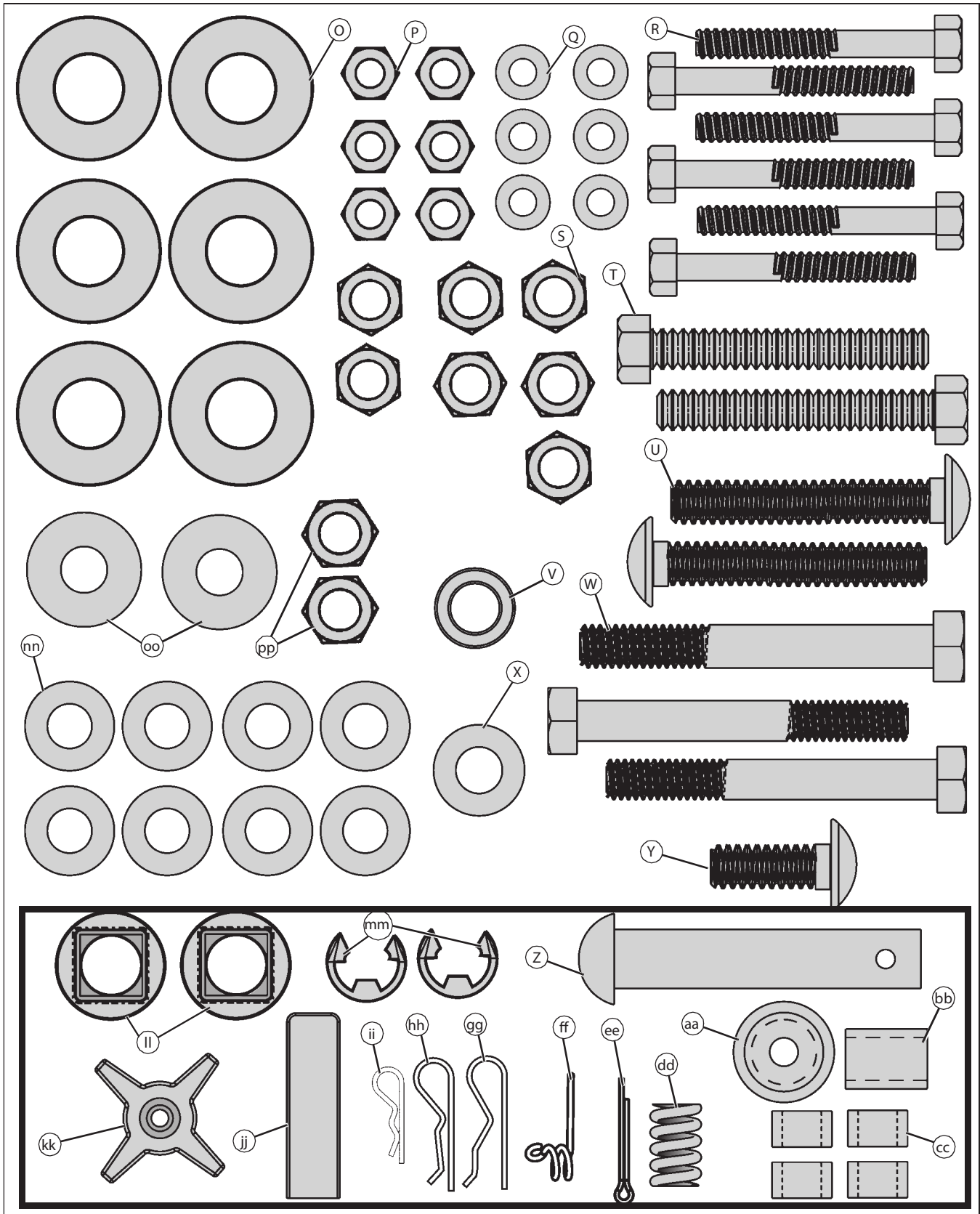
Hardware Skin Pack (Z-1912)

Contents illustrated on page 7

Ref.	Description	Qty.
(O)	Washer, Flat, 5/8 in.	6
(P)	Nylon Locknut, 1/4 in.	6
(Q)	Nylon Washer, Flat, 1/4 in.	6
(R)	Bolt, Hex, 1/4 x 1-3/4 in.	6
(S)	Nylon Locknut, 5/16 in.	7
(T)	Bolt, Hex, 5/16 x 2-1/4 in.	2
(U)	Carriage Bolt, 5/16 x 2 in.	2
(V)	O-Ring, 3/8 in.	1
(W)	Bolt, Hex, 5/16 x 2-3/4 in.	3
(X)	Washer, Curved Spring	1
(Y)	Carriage Bolt, 5/16 x 3/4 in.	1
(Z)	1 Hitch Pin, 1/2 x 2-1/2 in.	1
(aa)	Fan Driver	1
(bb)	Spacer, Latch	1
(cc)	Bushing, Pivot Plate	4
(dd)	Spring, Latch	1
(ee)	Cotter Pin, 1/8 x 1 in.	1
(ff)	Agitator Spring	1
(gg)	Spring Locking Pin <i>Open-Style</i>	1
(hh)	Spring Locking Pin <i>Large Closed-Style</i>	1
(ii)	Spring Locking Pin <i>Small Closed-Style</i>	1
(jj)	Grip, Flat	1
(kk)	Knob, 4-Prong	1
(ll)	Bearing, Axle	2
(mm)	Snap Ring, E-Type	2
(nn)	Washer, Flat, 5/16 in.	8
(oo)	Washer, Special	2
(pp)	Nut, Hex, 5/16 in.	2

Parts

Hardware Skin Pack (Z-1912)

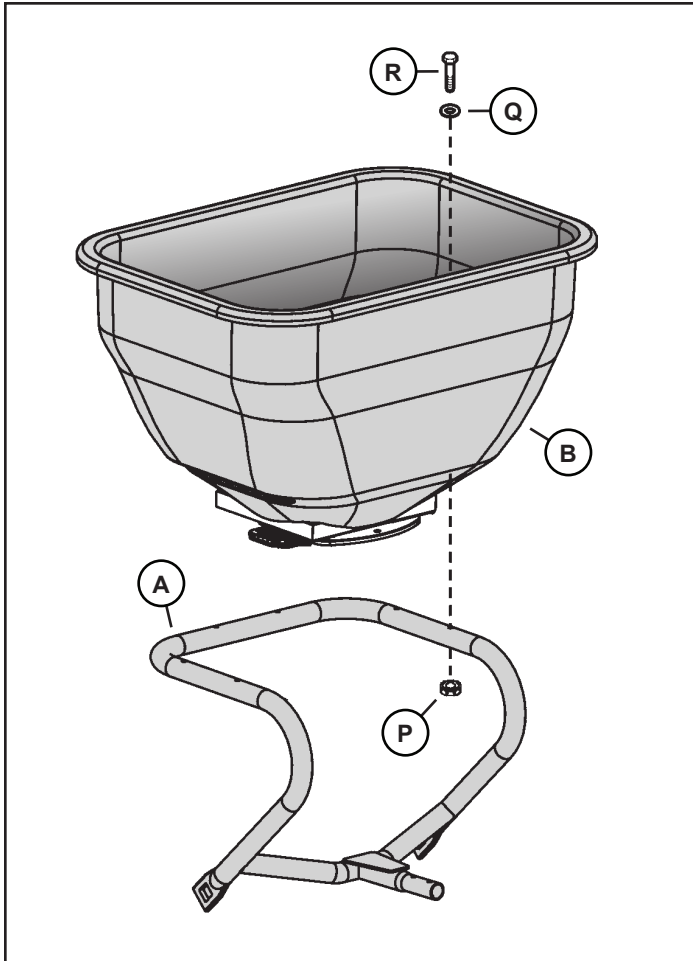


Picture Note: Parts shown above are full size except items in box.

MX48217

Assembly

Step 1-A. Assemble Hopper to Frame



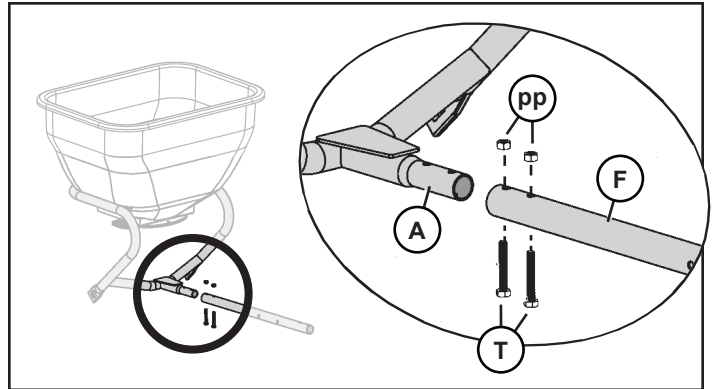
1. Remove hopper assembly, support frame, and inner carton from box.
2. Remove protective foam from bottom of hopper.

NOTE: Hardware for this step is found in the Hardware Skin Pack (Z-1912).

3. Install six 1/4 x 1-3/4 in. hex bolts (**R**), and 1/4 in. flat nylon washer (**Q**) through top of hopper (**B**) and through support frame (**A**), as shown.

Secure bottom of bolt with 1/4 in. nylon locknut (**P**). To avoid damage to plastic, do not overtighten hardware.

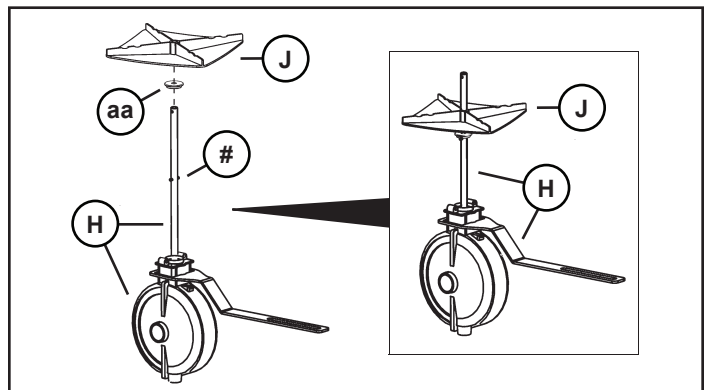
Step 1-B. Assemble Hopper to Frame



NOTE: Hardware for this step is found in the Hardware Skin Pack (Z-1912).

4. Install tow tube (**F**) onto support frame (**A**) with two 5/16 x 2-1/4 in. hex bolts (**T**) and 5/16 in. hex nuts (**pp**). Tighten nuts to 30 N•m (22 lb-ft), or two complete turns after finger tight.

Step 2-A. Install Transmission and Wheels

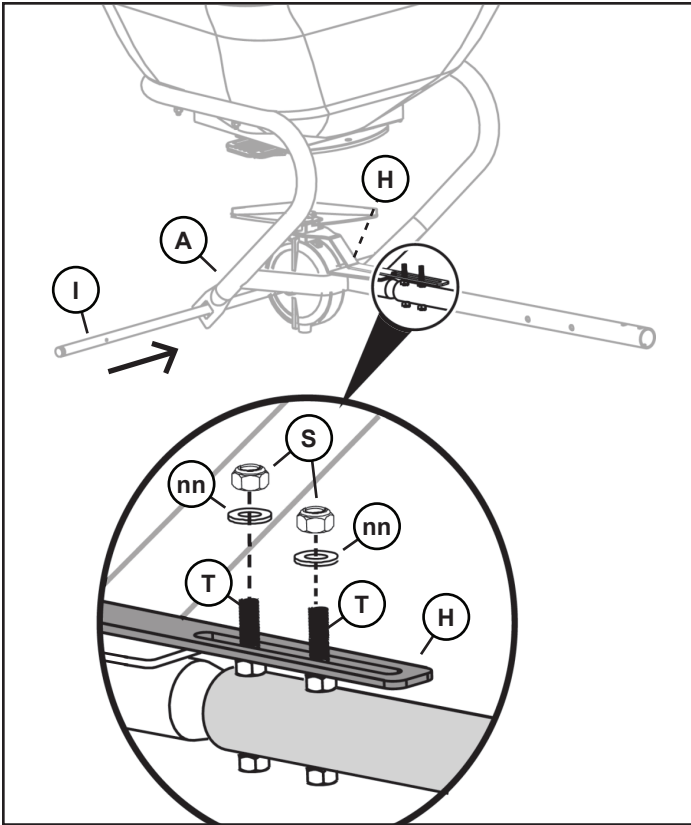


NOTE: Hardware for this step is found in the Hardware Skin Pack (Z-1912).

1. Slide the fan driver (**aa**) on the transmission assembly (**H**) shaft (with the larger surface facing upward) and fan (**J**) onto the transmission assembly (**H**) until both rest on the spring pin (**#**), as shown.

Assembly

Step 2-B. Install Transmission and Wheels



NOTE: Hardware for this step is found in the Hardware Skin Pack (Z-1912).

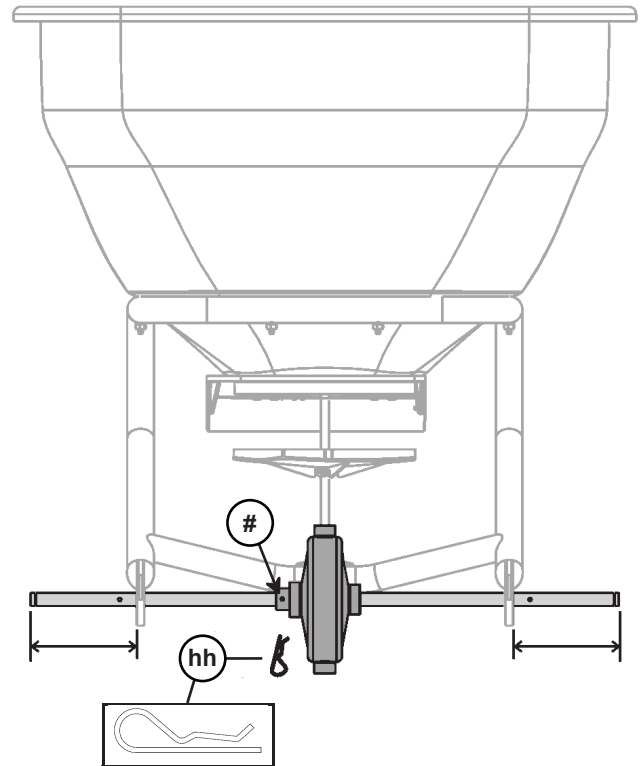
2. Raise transmission into position by installing transmission fan shaft into center hole of the control plates on the bottom of the hopper. Lower transmission bracket (H) onto bolts (T).
3. Install axle (I) through support frame assembly (A) with offset hole near center of axle to line up with hole in spreader transmission (H).

IMPORTANT: Avoid damage! To avoid transmission damage, do not adjust slot in transmission bracket forward or rearward. The slot will self center as hardware is tightened.

4. Secure the transmission bracket by installing two 5/16 in. flat washers (nn) and two 5/16 in. nylon locknuts (S). Tighten hardware finger tight.

Step 2-C. Install Transmission and Wheels

IMPORTANT: Avoid damage! The hole in the transmission hub and axle must be closely aligned to prevent large closed-style spring locking pin from binding upon insertion.



Picture Note: View from rear of spreader.

5. Slide axle until it is centered through transmission as shown in diagram. Install large closed-style spring locking pin (hh) through transmission and axle center hole (#). This may be a force fit.

Assembly

NOTE: Hardware for the next steps can be found on the Hardware Skin Pack (Z-1912) and in the Hardware Bag (1008385).

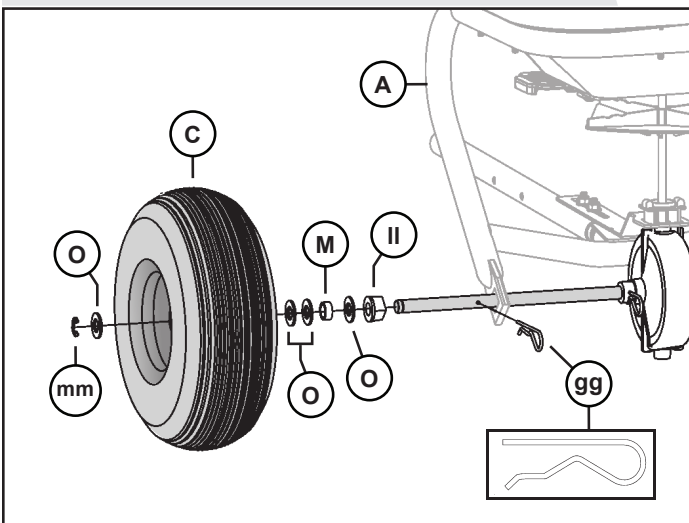
Step 2-D. Install Transmission and Wheels

IMPORTANT: Avoid damage! There are two different rims of wheels that unit can be shipped with: metal or composite (plastic) wheel rims. Determine wheel rim type and follow appropriate steps below.

Composite (Plastic) Wheel Rims

OR

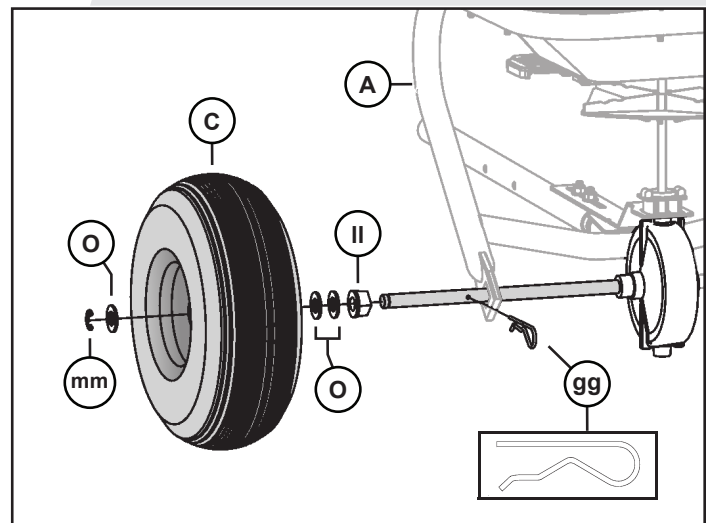
Metal Wheel Rims



- Install axle bearing (II) onto each side of axle so square end of bearing fits into square hole of support frame assembly (A).
- Install 5/8 in. flat washer (O), spacer (M), and two 5/8 in. flat washers (O) onto each side of axle.
- Install wheel (C), 5/8 in. flat washer (O), and E-type snap ring (mm) onto each end of axle, as shown in diagram.

NOTE: Remove extra washers (O), if required, to allow open-style spring locking pin (gg) to slip into the hole.

- Install open-style spring locking pin (gg) through inside hole in wheel hub and axle.



- Install axle bearing (II) onto each side of axle so square end of bearing fits into square hole of support frame assembly (A).
- Install two 5/8 in. flat washers (O) onto each side of axle. Lubricate the axle ends with general purpose grease.
- Install wheel (C), 5/8 in. flat washer (O), and E-type snap ring (mm) onto each end of axle, as shown in diagram.

NOTE: Remove extra washers (O), if required, to allow open-style spring locking pin (gg) to slip into the hole.

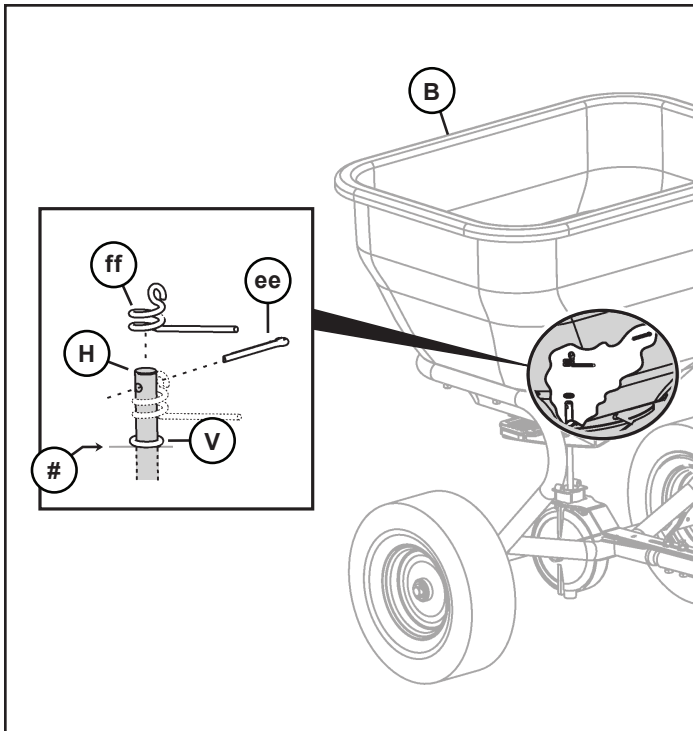
- Install open-style spring locking pin (gg) through inside hole in wheel hub and axle.

NOTE: Axle has holes on both ends. The open-style spring locking pin will only install on one side without removing the outside washer and E-type snap ring.

6. Tighten the hardware that was installed on Step 2-B (4).

Assembly

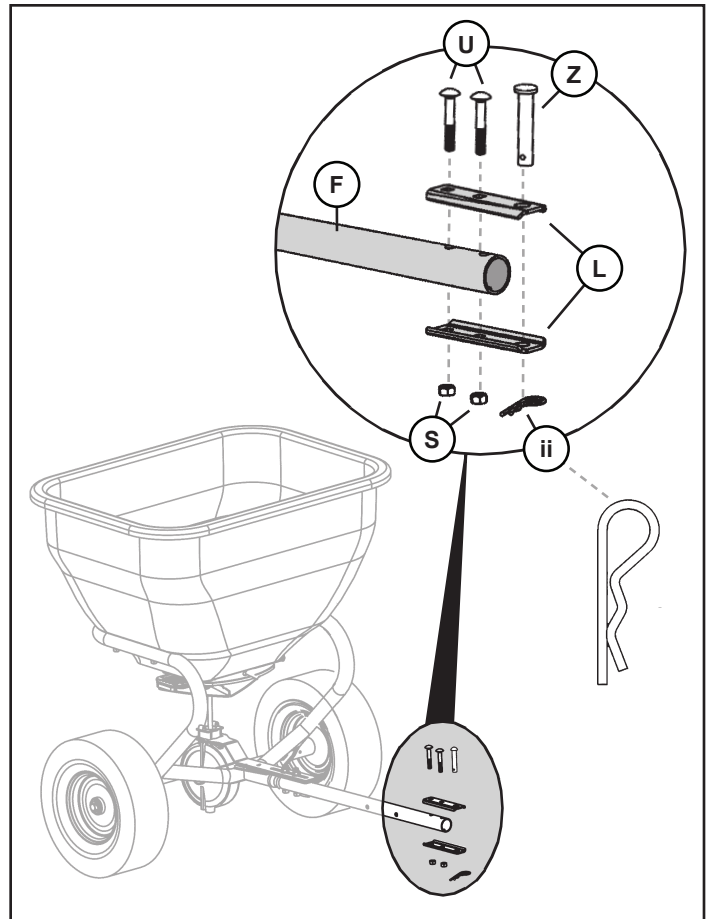
Step 3-A. Install Agitator Spring and Clevis



NOTE: Hardware for the next steps can be found on the Hardware Skin Pack (Z-1912).

1. Install 3/8 in. O-ring (V) on transmission shaft (H) until seated on bottom (#) of the hopper (B).
2. Install agitator spring (ff), and secure with 1/8 x 1 in. cotter pin (ee) through top loop in agitator spring and hole in transmission shaft, as shown.
Bend legs of cotter pin (ee) to secure its placement.

Step 3-B. Install Agitator Spring and Clevis

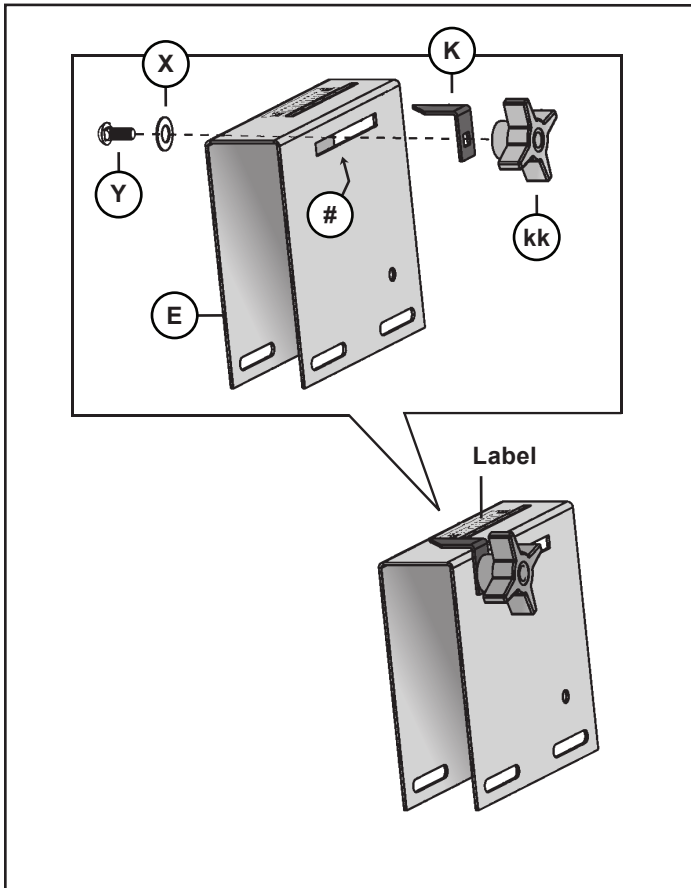


NOTE: Parts and hardware for the next step are found in the Hardware Bag (1008385) and on the Hardware Skin Pack (Z-1912).

3. Install hitch clevis brackets (L) onto tow tube end (F) with two 5/16 x 2 in. carriage bolts (U) and 5/16 in. nylon locknuts (S), as shown. Tighten hardware finger tight.
4. Install 1/2 x 2-1/2 in. hitch pin (Z) and small closed-style spring locking pin (ii) through end of clevis brackets (L), as shown.
5. Tighten hardware installed on Step 3-B (3).

Assembly

Step 4. Assemble Gage Plate

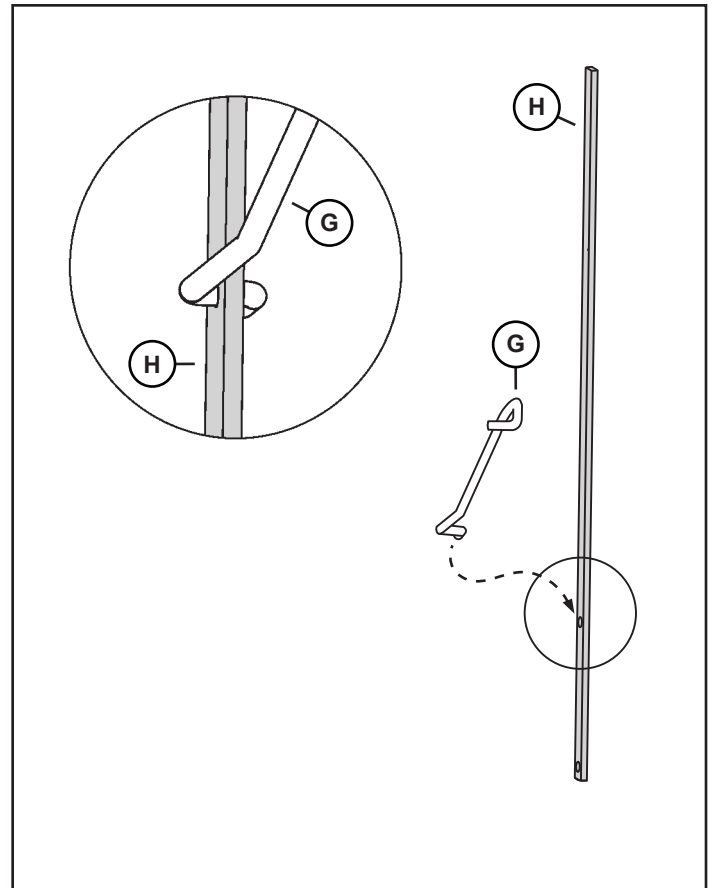


Install Handle Stop

NOTE: Parts and hardware for the next steps are found in Hardware Bag (1008385) and on Hardware Skin Pack (Z-1912).

1. Install curved spring washer (X) onto 5/16 x 3/4 in. carriage bolt (Y). Direction of washer is not important.
2. Insert carriage bolt (Y) and washer (X) from the inside of the gage plate (E) through the slot (#) so the end of the bolt protrudes outward.
3. Attach handle stop (K) and 4-prong knob (kk) to carriage bolt (Y).
4. Move handle stop (K) to the full open position and tighten knob (kk) (see label on top of gage plate).

Step 5-A. Attach Flow Control Handle



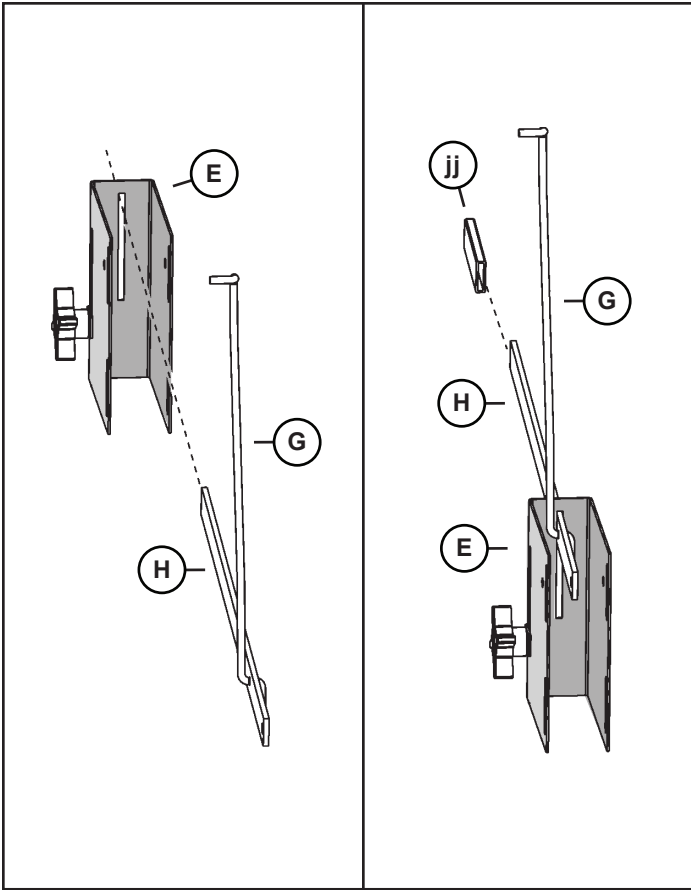
Install Flow Control Handle

NOTE: Rotate the link rod (G) as necessary to match diagram.

1. Insert the 'S' shaped end of the link rod (G) through the upper hole of the flow control handle (H).

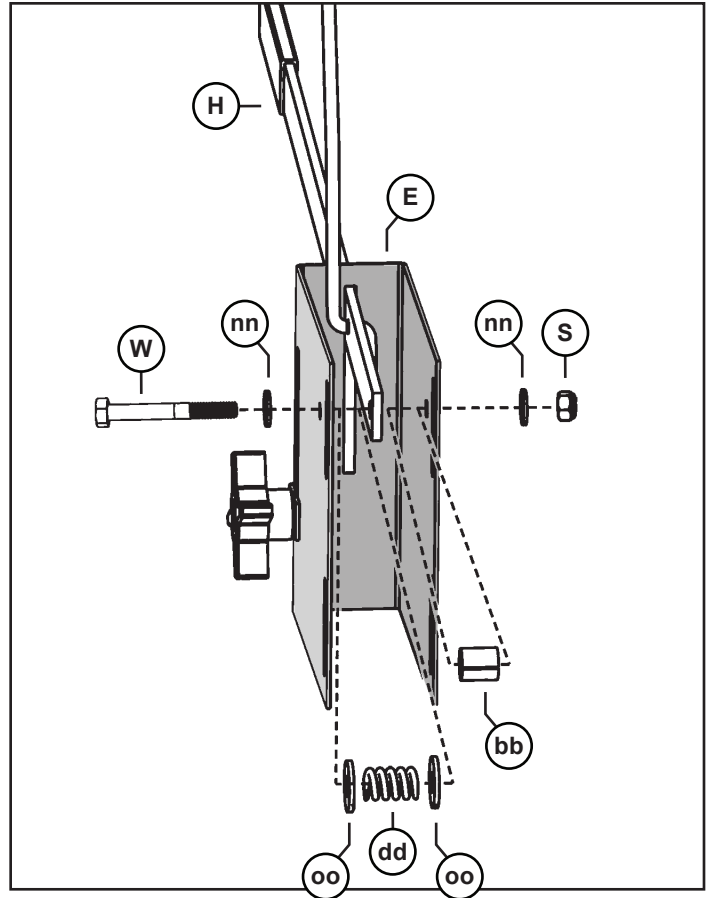
Assembly

Step 5-B. Attach Flow Control Handle



2. Position gage plate (E) as shown.
3. Insert the flow control handle (H) through the gage plate (E). Insure that the link rod (G) is in the up position and end of link rod is orientated as shown.
4. Slide the flat grip (jj) over the end of the flow control handle (H), as shown.

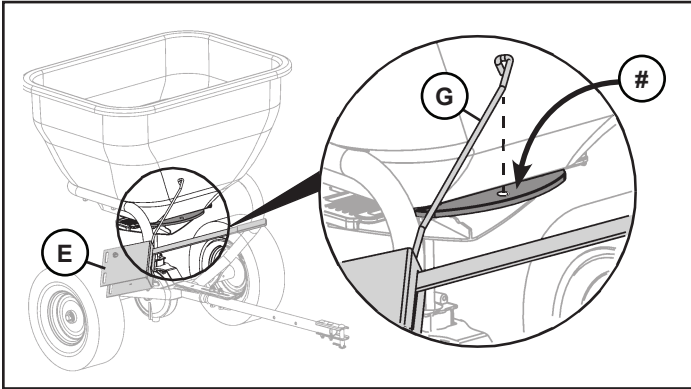
Step 5-C. Attach Flow Control Handle



5. Insert one 5/16 x 2-3/4 in. hex bolt (W) and one 5/16 in. flat washer (nn) through one side of the gage plate (E), as shown.
6. Install one special washer (oo), one spring (dd), and a second special washer (oo).
7. Install hex bolt assembly through flow control handle (H), one latch spacer (bb), and out the opposite side of the gage plate (E).
8. Secure assembly with one 5/16 in. flat washer (nn), and one 5/16 in. nylon locknut (S).

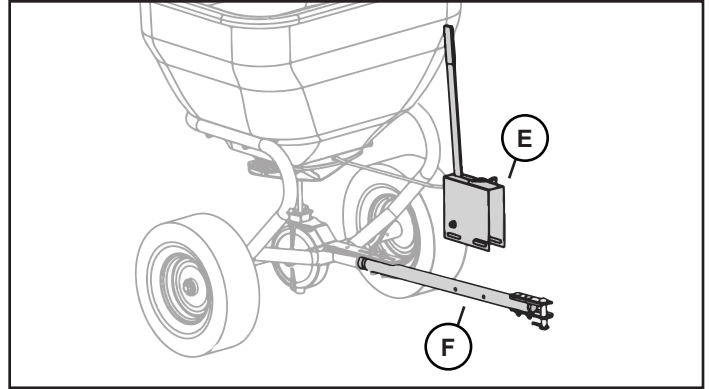
Assembly

Step 6-A. Attach Gage Plate to Spreader



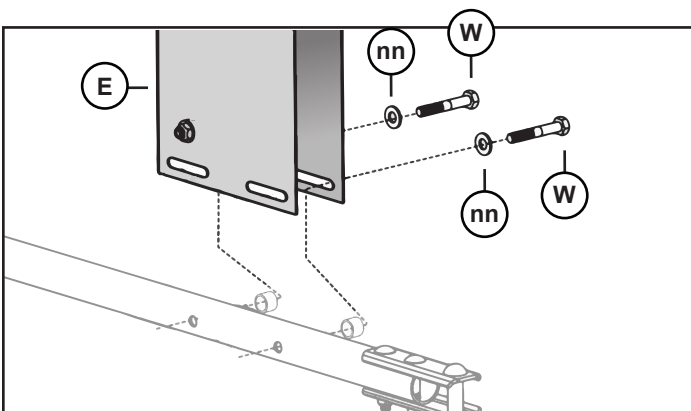
1. Hold assembled gage plate (E) over tow tube with flow control handle up and link rod (G) facing hole (#) on the hopper control plate.
2. Rotate assembled gage plate (E) approximately 90° clockwise, and insert formed end of the link rod (G) into the hole (#) on the hopper control plate, as shown.

Step 6-B. Attach Gage Plate to Spreader



3. Rotate assembled gage plate (E) counter-clockwise until the handle is oriented upward and the bottom of the gage plate is over the tow tube (F).

Step 6-C. Attach Gage Plate to Spreader

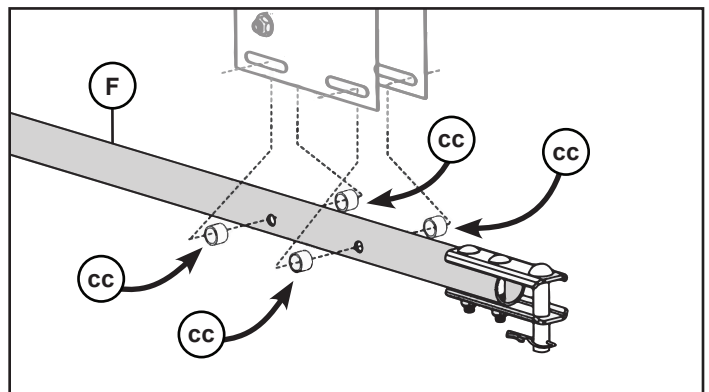


NOTE: Hardware for this step can be found in the Skin Pack (Z-1912).

4. Attach the gage plate to the tow tube as shown by inserting two 5/16 x 2-3/4 in. bolts (W) and two 5/16 in. flat washers (nn) through one side of the gage plate (E), as shown.

NOTE: Do not tighten the locknuts until after calibrating the gage plate.

Step 6-D. Attach Gage Plate to Spreader

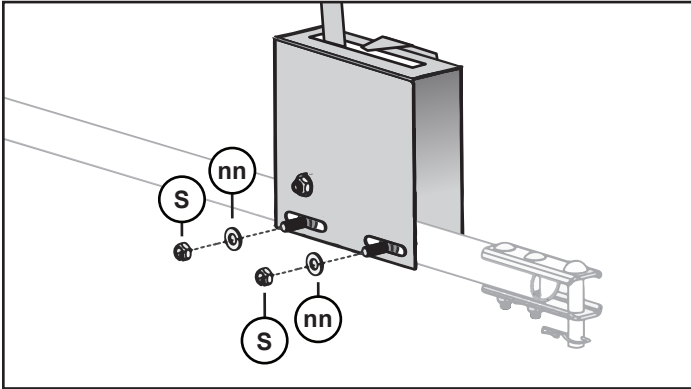


NOTE: Hardware for this step can be found in the Skin Pack (Z-1912).

5. Insert four pivot plate bushings (cc) as illustrated (two on each side of tow tube (F)).

Assembly

Step 6-E. Attach Gage Plate to Spreader

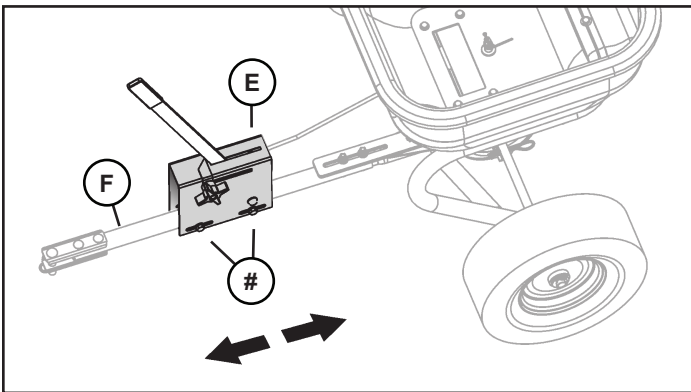


NOTE: Hardware for this step can be found in the Skin Pack (Z-1912).

6. Install two more 5/16 in. flat washers (**nn**), and secure on opposite side with two 5/16 in. nylon locknuts (**S**).

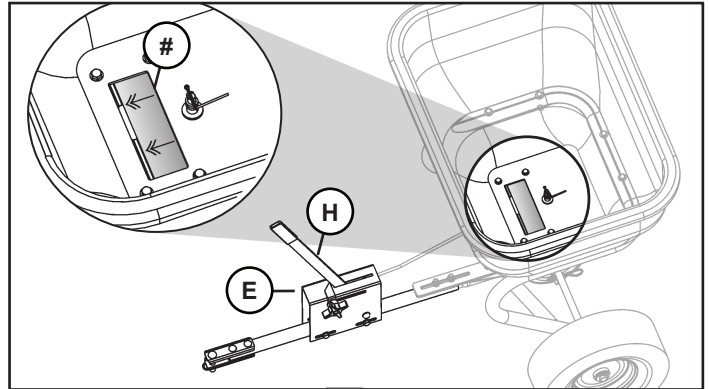
NOTE: Do not tighten the locknuts until after calibrating the gage plate.

Step 7-B. Calibrating the Gage Plate



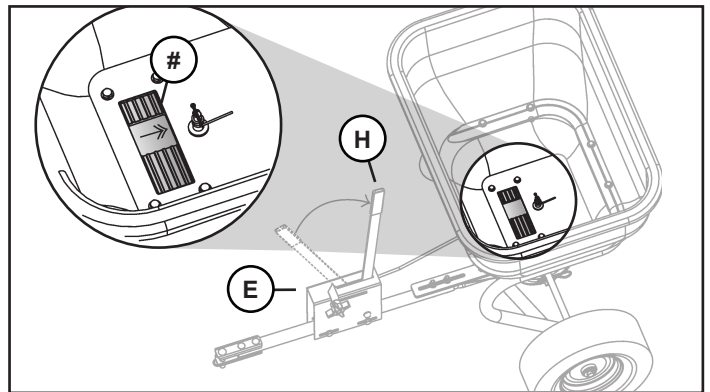
3. Tighten gage plate (**E**) securely to the tow tube (**F**) by tightening the two sets of 5/16 in. hardware (**#**) holding the gage plate to the tow tube.

Step 7-A. Calibrating the Gage Plate



1. Move flow control handle (**H**) to the open position (towards front clevis).
2. Make sure that hopper control plate opens fully (**#**); if not, slide the gage plate (**E**) forward or backward until control gate is fully open.

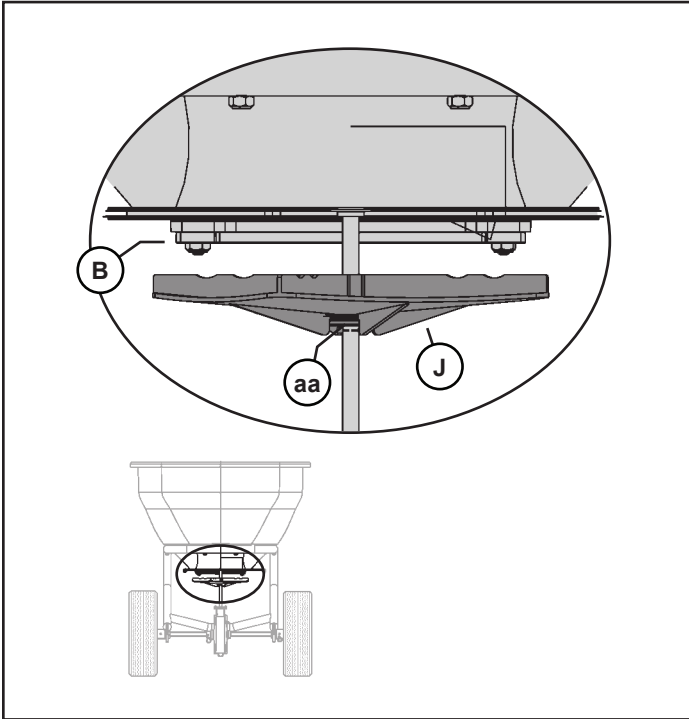
Step 7-C. Calibrating the Gage Plate



4. Move flow control handle (**H**) to the close position (towards rear of unit). *Verify hopper control gate fully closes (#).*
5. Securely tighten the flow control handle (**H**) to the gage plate (**E**), compressing the spring. Flow control handle should have resistance to movement.

Assembly

Step 8. Fan Height Adjustment



NOTE: The four tabs on the fan should be compressed against the fan driver. If pressure is not applied, the fan connection will be loose resulting in poor performance.

1. Adjust fan (**J**) with fan driver (**aa**) upwards on shaft as close to bottom of hopper (**B**) without touching during operation. Make sure fan driver engages the four plastic tabs on the bottom of fan.

Step 9.

Assembly is Complete!

Continue reading this manual for use and care info.



JOHN DEERE

USE AND CARE

Broadcast Spreader
LPBS36JD



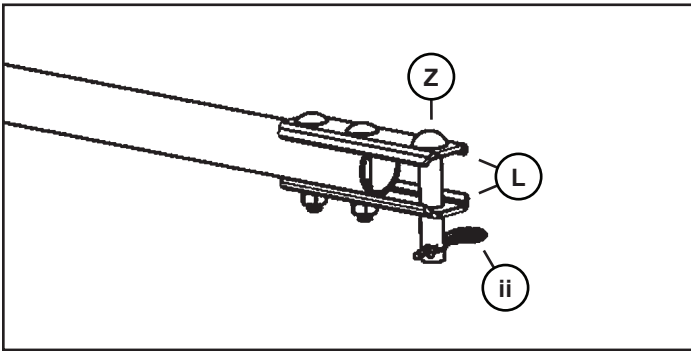
Read the general safety operating precautions in your machine operator's manual for additional safety information.

Use and Care

Read the general safety operating precautions in your machine operator's manual for additional safety information.

Installing

1. Park machine safely.
See "Parking Safely" in Safety section.



2. Remove small closed-style spring locking pin (ii) and hitch pin (Z) from hitch clevis (L) of spreader.
3. Pull spreader forward and position hitch clevis to straddle machine rear hitch plate or drawbar (not shown). Align all hitch pin holes, then install hitch pin down through hitch clevis and machine hitch, securing with small closed-style spring locking pin.

Storing

The spreader can be tipped upright and stored against a wall using less space:

1. Remove any loose material from hopper and fan using a brush and garden hose. The spreader should be clean and dry before storing.
2. Roll spreader to desired storage area, lift hitch clevis to pivot spreader to vertical position.

Removing

1. Park machine safely.
See "Parking Safely" in the Safety section.
2. Remove all materials from the hopper before removing spreader from machine.



CAUTION: Avoid injury! Keep hands, feet and other body parts away from under drawbar.

3. Remove small closed-style spring locking pin from hitch pin.
4. Hold spreader tow tube to remove pressure from hitch pin, then remove the hitch pin from hitch clevis and rear hitch plate or drawbar on machine.
5. Pull or push spreader backward to disengage hitch clevis from machine hitch, install hitch pin in hitch clevis for storage and secure with small closed-style spring locking pin .

Parking Safely

1. Stop vehicle on a level surface, not on a slope.
2. Lock park brake.
3. Stop engine.
4. Before you leave the operator's seat, wait for engine and all moving parts to stop.

Use and Care

Read the general safety operating precautions in your machine operator's manual for additional safety information.

Daily Checklist

- Check for loose or missing hardware.
- Make sure all connections are tight.
- Make sure attachment responds properly to controls.
- Check for debris build-up that could obstruct proper motion of the spreader control components.
- Check to make sure tires on composite (plastic) rims are inflated to 30 psi (2.1 bar) (207 kPa), or tires on metal rims are inflated to 20 psi (1.3 bar) (138 kPa) maximum.

Operating Tips

- Always operate your spreader with the speed limit for which it was designed - 3 mph.
- When backing, carefully back straight to avoid jackknifing, which could result in damage to equipment.
- Only tow your spreader behind vehicles for which it was designed - riders, and lawn and garden tractors.
- Do not load the hopper with more than the maximum weight capacity of 79 kg (175 lb).
- Break up any lumps as you fill the hopper.
- Do not use on windy days, especially when spreading fine grass seed or herbicides.
- Optimum hitch height is 18 - 23 cm (7- 9 in.).
- The flow control handle should have resistance to movement. Increase or decrease spring tension as required to get desired flow control handle resistance.

Operating the Spreader

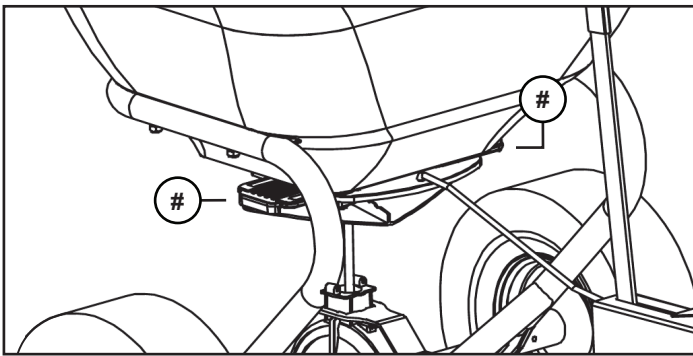
The Fan Speed and the Spread Width	Controlled by the speed of the vehicle. The recommended operating speed is slightly faster than that of a brisk walk, 3 mph. 3 mph is equal to the vehicle traveling 40 ft in nine seconds.
Flow Control Assembly	Operates the flow control plate. The flow control assembly is marked 0 (closest) to 10 (fully open). The position selected determine the amount of material to be broadcast. The higher the number, the heavier the application of material.
Flow Control Setting	For many of the common fertilizers, insecticides, and grass seeds are provided in the alphabetized table listing flow control settings. If the product is not listed in the flow control settings table, use the calibration guide to set the flow control.
The Agitator Spring	Located inside the hopper. Provides consistent material flow of pelletized materials and seed. It is not designed to break up lumps of material or seed. Break up any lumps as you fill the hopper.
The Correct Setting Number	After determining the correct setting number for your material, loosen knob and move stop bracket to that position. Tighten knob. Move flow control handle to the lock position to open the flow control plate.

Use and Care

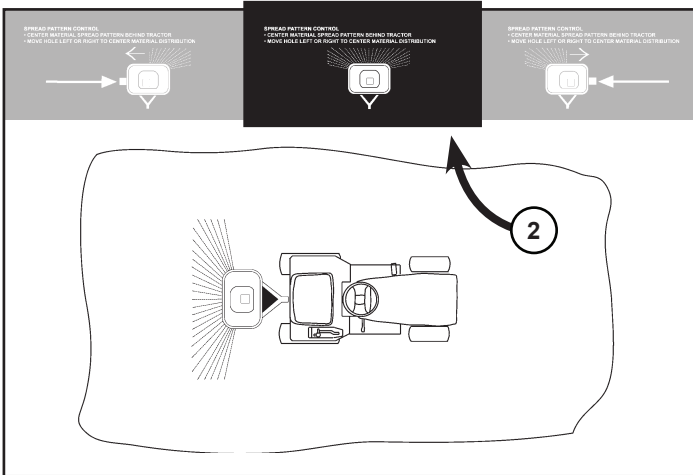
Directional Control

Normal Operation (Uniform Spreading)

Fertilizers, insecticides, and grass seed each have different particle size and weight. This can be referred to as particle density. As the particles are impacted by the fan, the distribution can be centered or slightly off center depending on particle density and forward vehicle speed.



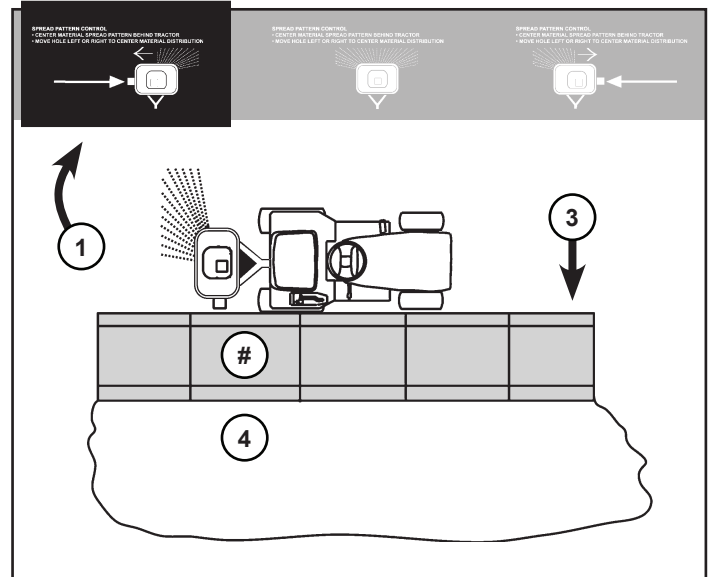
Adjustment can be made by moving the direction control plate (#) to the right or left.



The directional decal located below the directional control plate will aid you in adjusting the spread pattern. For most applications the plate should be placed close to the center position (2) described by the label above. If the material is coming out right or left during operation, adjustment of this plate should be made to center the material distribution pattern behind the vehicle. Your broadcast spreader has a patented feature to allow you to adjust for centering.

One Side Only Spreading

The directional control plate can be used for adjusting the material spread pattern when spreading near sidewalks (#), planting beds (4), etc. With the plate adjusted to the left side (1), the directional control plate only operates with 90% shut-off of material to the right side (3) of the vehicle as shown in the illustration below.



Maintenance Tips

- The key to years of trouble-free service is to keep your spreader clean and dry.
- Never allow material to remain in hopper for extended periods of time.
- Should rust develop, sand lightly and then paint area with enamel.
- Periodically check all fasteners for tightness.
- Rinse / dry inside and outside of spreader after each use. Move flow control as you rinse, to avoid build up of material.

Use and Care

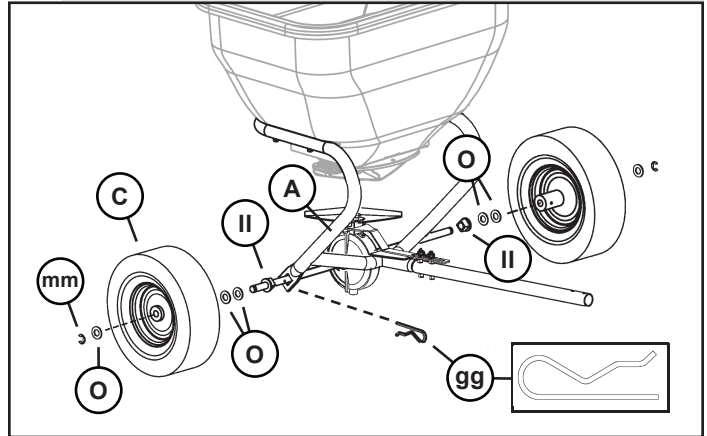
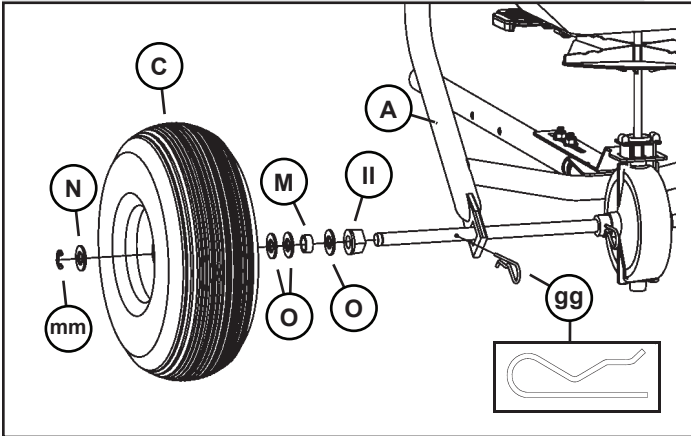
Annual Maintenance

NOTE: There are two different rims of wheels that unit can be shipped with: metal or composite (plastic) wheel rims. Determine wheel rim type and follow appropriate steps below.

Remove Composite (Plastic) Wheel Rims

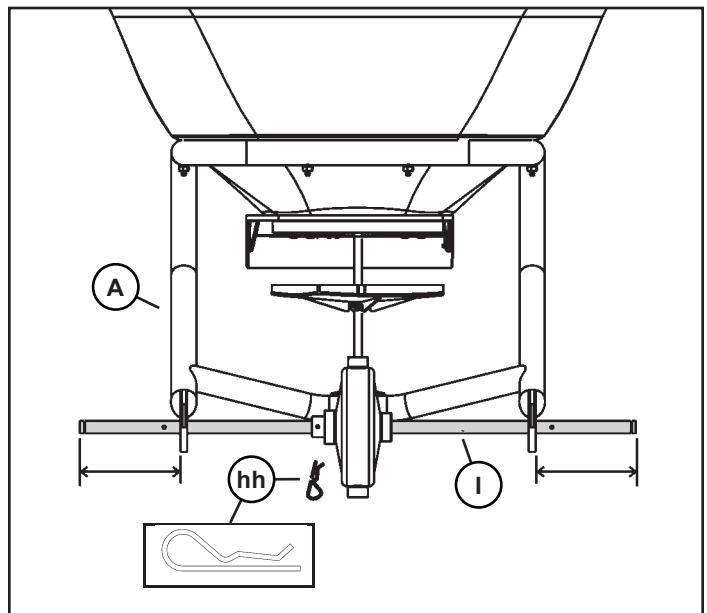
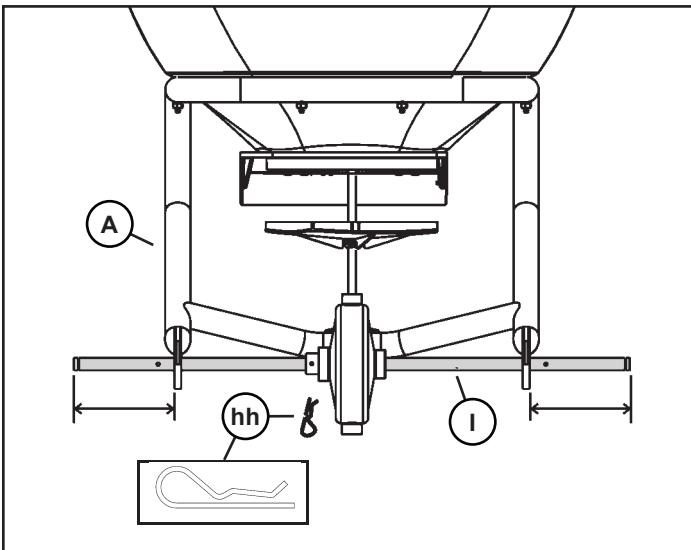
OR

Remove Metal Wheel Rims



1. Remove snap ring (**mm**), 5/8 in. flat washer (**N**), wheel (**C**), two 5/8 in. flat washers (**O**) (if installed), spacer (**M**), 5/8 in. flat washer (**O**), and axle bearing (**II**). Remove open-style spring locking pin (**gg**).
2. Remove large closed-style spring locking pin (**hh**), and slide axle (**I**) out from support frame (**A**). Remove axle bearing, two 5/8 in. flat washers (if installed), spacer, 5/8 in. flat washer, and axle bearing on opposite side of axle.
3. Clean parts.

1. Remove snap ring (**mm**), 5/8 in. flat washer (**O**), wheel (**C**), washers (**O**) (if installed), and axle bearing (**II**). Remove open-style spring locking pin (**gg**).
2. Remove large closed-style spring locking pin (**hh**), and slide axle (**I**) out from support frame (**A**). Remove axle bearing (**II**) and washers (**O**) (if installed) on axle.
3. Clean parts.

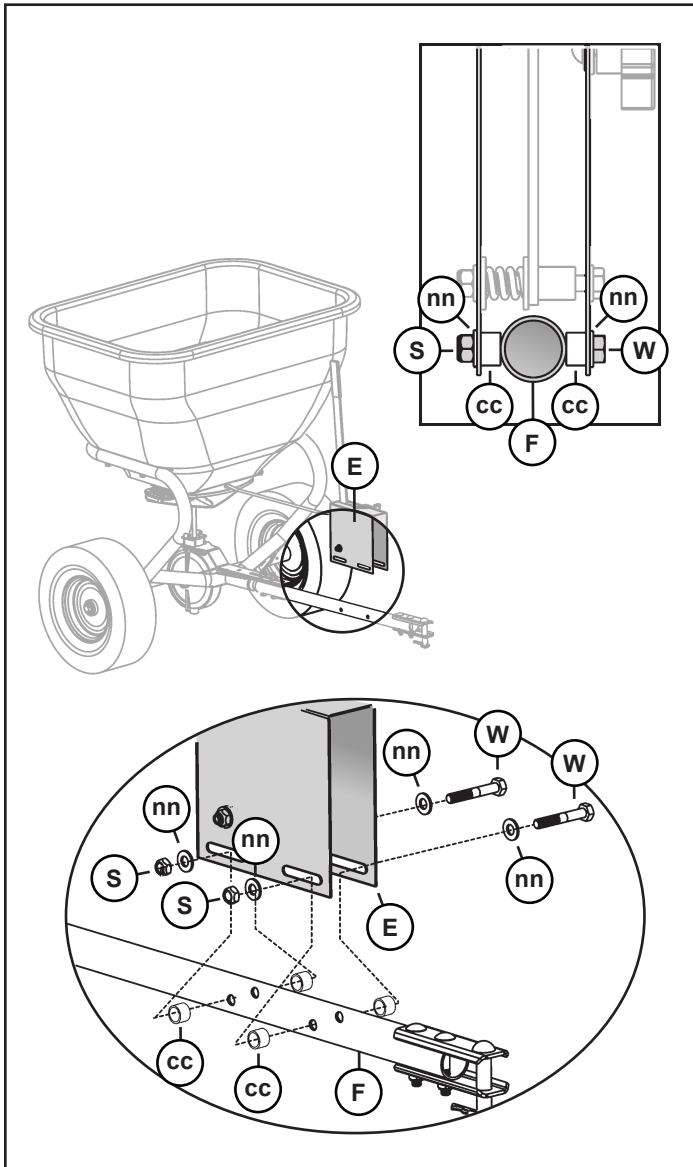


Picture Note: View from rear of spreader.

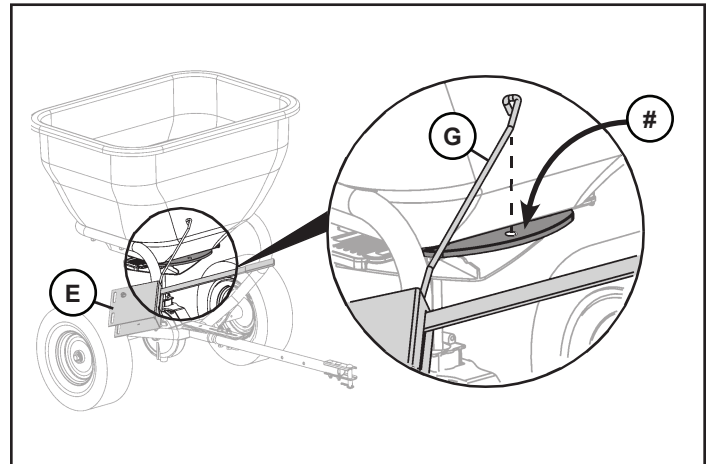
Picture Note: View from rear of spreader.

Use and Care

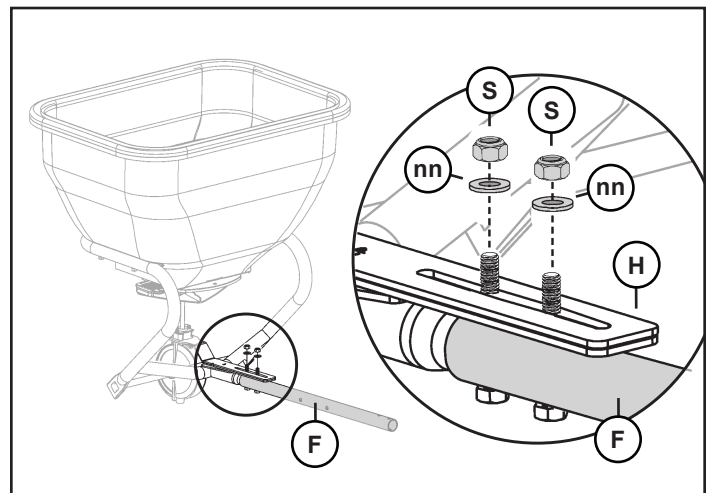
Remove Gage Plate and Remaining Components



1. Remove two 5/16 x 2-3/4 in. bolts (**W**), four 5/16 in. flat washers (**nn**), four pivot bushings (**cc**), and two 5/16 in. nylon locknuts (**S**). Remove assembled gage plate (**E**) from tow tube (**F**).



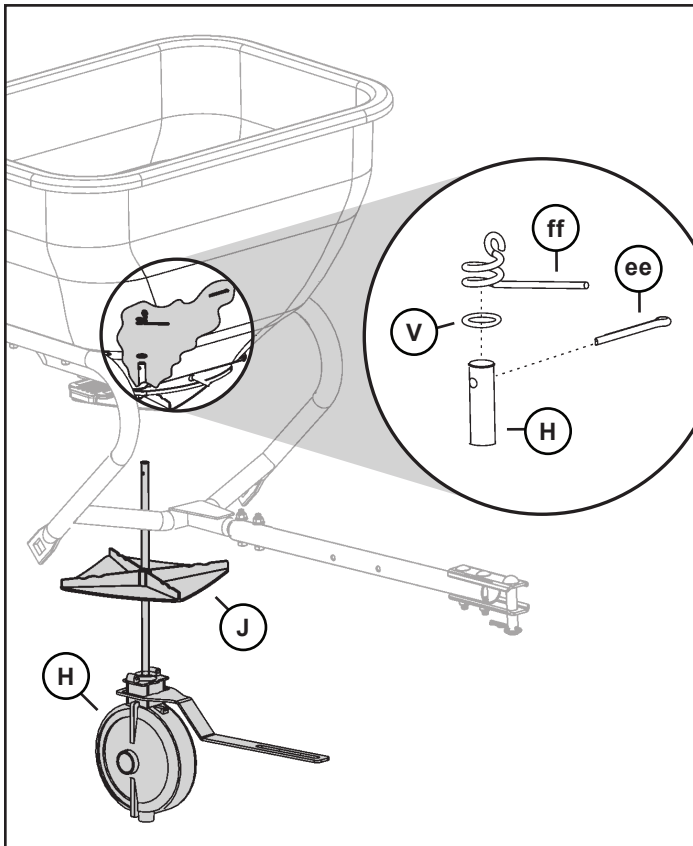
2. Rotate assembled gage plate (**E**) approximately 90° clockwise, and remove formed end of the of the link rod (**G**) from hole (**#**) on the hopper control plate, as shown.



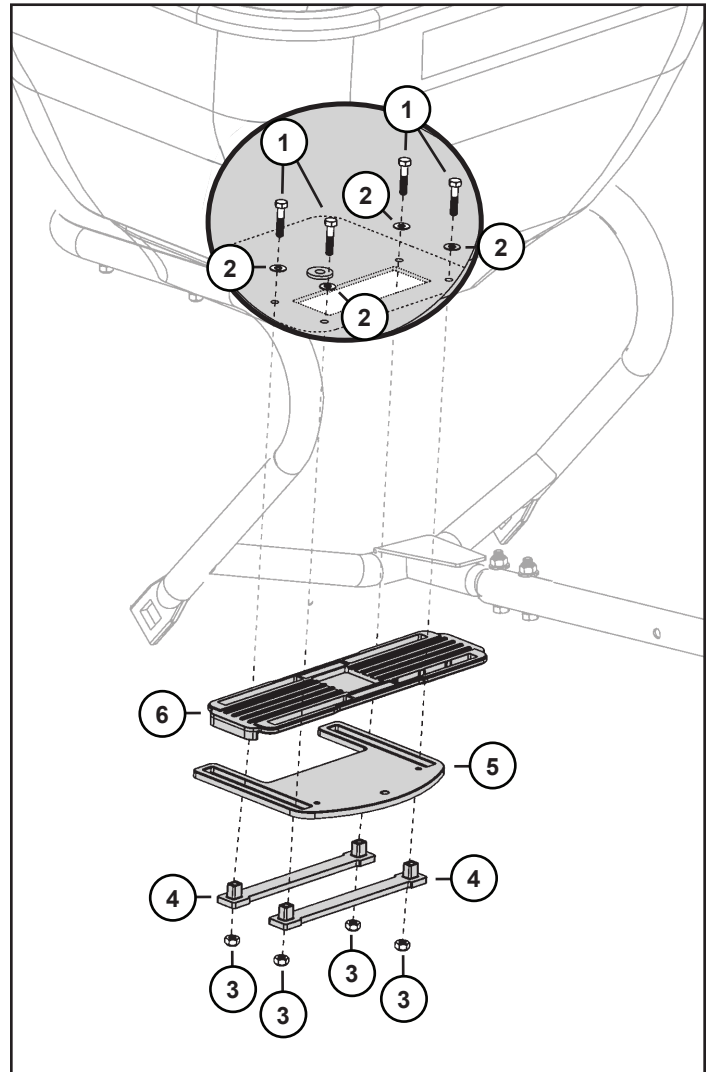
3. Remove the transmission bracket (**H**) from tow tube (**F**) by removing the two 5/16 in. nylon locknuts (**S**) and two 5/16 in. flat washers (**nn**).

Use and Care

Remove Gage Plate and Remaining Components



4. Remove 1/8 x 1 in. cotter pin (**ee**), 3/8 in. ID O-ring (**V**), and agitator (**ff**) from transmission shaft (**H**).
5. Remove transmission (**H**) assembly.
6. Clean fan (**J**).



7. Remove the four bolts (**1**), washers (**2**), nuts (**3**) and straps (**4**) that hold the gate (**5**) and directional control plate (**6**).
8. Separate parts as shown.
9. Clean thoroughly using soap and water.
NOTE: Be sure to calibrate the gage plate before using spreader (see "Calibrate Gage Plate" in the Assembly section).
10. Assemble parts reverse order of removal.

Use and Care

Troubleshooting

If you are experiencing a problem that is not listed in this chart, see your authorized dealer for service.

When you have checked all the possible causes listed and you are still experiencing the problem, see your authorized dealer.

IF	CHECK
Not enough or too much fertilizer dispensed.	Calibrate the gage plate.
Flow control handle hard or will not operate.	Flow control handle hardware too tight: Loosen 5/16 x 2-3/4 in. bolt on flow control handle assembly. Take gate and directional control plates apart; clean plates out with soap and water.
Material is clogged	Turn off engine, set parking brake, fully open gate, shake hopper until material flows, close gate.
Fan does not turn when pulling.	Find or replace missing open-style spring locking pin on right wheel rim. Find or replace missing large closed-style spring locking pin in transmission. Check position of fan and fan driver. Check for transmission malfunction: With the broadcast spreader attached to your machine, lift the drive wheel and rotate. At the same time apply gentle pressure to the fan shaft. It should turn with each rotation of the wheel.

Specifications

LPBS36JD Broadcast Spreader

DIMENSIONS

Size (*maximum weight*) 79 kg (175 lb)
Capacity 0.10 cu m (3.5 cu ft)
Empty Mass 18.1 kg (40 lbs)
Maximum Tongue Weight . . . 17.2 kg (38 lbs)

WHEELS AND TIRES

Tire Size 33.0 x 10.2 cm (13 x 5 in)
Turf tread

TIRE INFLATION

Composite 207 kPa (2.1 bar)
(Plastic) Rim (30 PSI)
Tire Inflation 138 kPa (1.3 bar)
(Metal) Rim (20 PSI)

(Specifications and design subject to change without notice).

Use and Care

Flow Control Settings for Specific Products

CAUTION: Avoid injury! Chemicals can be dangerous. Avoid injury to operator or bystanders:



- Read chemical container label for handling instructions. A Material Safety Data Sheet (MSDS) should be supplied by the chemical dealer and provides proper safety information.
- Wear proper clothing and safety equipment while handling or applying chemicals.
- Prohibit all smoking, drinking, and eating around chemicals.

The following is a list of flow control settings for specific products available for use with the spreader. Some products may not be available in all areas. *NOTE: Flow control settings are based on 3 mph forward speed.*

lbs / 1000 square feet	Flow Control Setting at 3 mph ^a	Materials ^b
---------------------------------	--	------------------------

10	3	All American All Purpose Fertilizer 10-10-10
3.8	2.5	Bayer Season Long Grub Control
2.9	2	Bayer Season Long Grub Control
3	2	Bayer Complete Insect Killer
2	1.5	Bayer Complete Insect Killer
3	1.5	Bayer Power Force Multi-Insect Killer
2	1	Bayer Power Force Multi-Insect Killer
3	1.5	Bayer Grub Control
2	1.5	Bayer Grub Control
3.2	2	Bayer Lawn Fertilizer Plus Weed Control II 30-3-4
3.8	2	Bayer Season Long Grub Control
2.9	1.5	Bayer Season Long Grub Control
3.6	2	Bayer Lawn Starter Fertilizer 20-27-5
3.2	2	Bayer Lawn Fertilizer Plus Crabgrass Preventer 30-3-4

lbs / 1000 square feet	Flow Control Setting at 3 mph ^a	Materials ^b
---------------------------------	--	------------------------

3	2	Eliminator Ant, Flea, and Tick Killer Granules
2.5	1.5	Eliminator Ant, Flea, and Tick Killer Granules
2	1.5	2 1.5 Eliminator Ant, Flea, and Tick Killer Granules
2	2	2 2 Eliminator 5% Diazinon Killer Granules
7	2.5	Howard Johnsons All-Purpose Fertilizer 8-8-8
7	2.5	Howard Johnsons All-Purpose Fertilizer 10-10-10
7	2.5	Howard Johnsons All-Purpose Fertilizer 12-12-12
5	2	Ironite 1-0-0
4	2	Klay Soft Pelletized Gypsum Soil Conditioner
3	1.5	Klay Soft Pelletized Gypsum Soil Conditioner
2	1.5	Klay Soft Pelletized Gypsum Soil Conditioner

a. Flow Control Settings are based on 3 mph forward speed.

b. The products listed are the property of their respective owners, and are not the property of, nor recommended by, Deere and Company.

Use and Care

Flow Control Settings for Specific Products

lbs / 1000 square feet	Flow Control Setting at 3 mph ^a	Materials ^b
------------------------	--	------------------------

4	2	Lesco Pre-M 0.86% Plus Fertilizer 25-0-7
4.2	2	Lesco Starter Fertilizer 18-24-12
4.2	2	Lesco Turf Fertilizer 24-2-11
4	2	Lesco Weed and Feed
8	3.5	Master Turf Ultimate Tall Fescue Blend
4	2.5	Master Turf Ultimate Tall Fescue Blend
8	3.5	Milorganite 6-2-0
16	5	Milorganite 6-2-0
3.2	2	Miracle-Gro Lawn Fertilizer Plus Weed Control 28-3-3
3.6	2	Miracle-Gro Starter Lawn Fertilizer 20-27-5
3.1	1.5	Miracle-Gro Starter Lawn Fertilizer 29-3-4
9.6	3	Ortho Lawn Insect Killer Granules
4.8	2	Ortho Lawn Insect Killer Granules
2.4	1	Ortho Lawn Insect Killer Granules
1.2	1	Ortho Lawn Insect Killer Granules
4	2	Ortho Max Insect Killer for Lawns
2	1.5	Ortho Max Insect Killer for Lawns
1	1	Ortho Max Insect Killer for Lawns
10	3	Parkers Super Soilife Lawn and Garden Fertilizer 10-10-10
6.5	2	Parkers Super Soilife Lawn and Garden Fertilizer 16-4-8
3.6	2	Pennington Lawn Starter Fertilizer 18-24-6

lbs / 1000 square feet	Flow Control Setting at 3 mph ^a	Materials ^b
------------------------	--	------------------------

10	4	Pennington Master Turf High Traffic Lawn Seed Mixture
5	3	Pennington Master Turf High Traffic Lawn Seed Mixture
8	4	Pennington Master Turf Shady Lawn Seed Mixture
4	3	Pennington Master Turf Shady Lawn Seed Mixture
10	4	Pennington Master Turf Sun and Shade Lawn Seed Mixture
5	3	Pennington Master Turf Sun and Shade Lawn Seed Mixture
2	1.5	Real-Kill Multi-Purpose Lawn and Garden Insect Killer
2.5	1.5	Real-Kill Multi-Purpose Lawn and Garden Insect Killer
10	4	Rebels Supreme Blend Grass Seed for Sun and Shade
5	3	Rebels Supreme Blend Grass Seed for Sun and Shade
10	4	Ringer Lawn Restore 10-2-6
12.3	4.5	Sam's Choice Crabgrass Preventer 30-3-4
8.1	3	Sam's Choice Crabgrass Preventer 30-3-4
6	3	Sam's Choice Crabgrass Preventer 30-3-4
5.4	2.5	Sam's Choice Crabgrass Preventer 30-3-4
3	1.5	Sam's Choice Insect Control Plus Fertilizer 28-4-6
3.2	2	Sam's Choice Lawn Food 29-3-4
6	3	Sam's Choice Starter Fertilizer 20-27-5

a. Flow Control Settings are based on 3 mph forward speed.

b. The products listed are the property of their respective owners, and are not the property of, nor recommended by, Deere and Company.

Use and Care

Flow Control Settings for Specific Products

lbs / 1000 square feet	Flow Control Setting at 3 mph ^a	Materials ^b
3.6	2	Sam's Choice Starter Fertilizer 20-27-5
4	3	Scotts Classic Grass Seed Fall Grass Seed Mix
2	2	Scotts Classic Grass Seed Fall Grass Seed Mix
2.3	1.5	Scotts Grubex
3.1	2	Scotts Grubex Season Long Grub Control
2.3	2	Scotts Grubex Season Long Grub Control
1.4	1.5	Scotts Lawn Fungus Control
2.7	2	Scotts Lawn Fungus Control
2.2	2	Scotts Pure Premium Kentucky Bluegrass Mix
1.1	1.5	Scotts Pure Premium Kentucky Bluegrass Mix
2.5	2	Scotts Pure Premium Sun and Shade Grass Seed Mixture
1.25	1.5	Scotts Pure Premium Sun and Shade Grass Seed Mixture
3.6	2	Scotts Starter Fertilizer 20-27-5
5.9	2	Scotts Starter Fertilizer 20-27-5
2.7	2	Scotts Turf Builder 28-3-8
3.1	1.5	Scotts Turf Builder Lawn Fertilizer 29-3-4
2.7	2	Scotts Turf Builder with Summer Guard
2.9	2	Scotts Turf Builder Plus Weed Control
3.3	1	Scotts Winterizer 22-4-1
4.6	2	Sevin Lawn Insect Granules

lbs / 1000 square feet	Flow Control Setting at 3 mph ^a	Materials ^b
2.33	2	Sevin Lawn Insect Granules
2.25	2	Sevin Lawn Insect Granules
3	2	Spectracide Grub Stop
3	1	Spectracide Traizicide Insect Killer Granules
3.6	2	Sta-Green Lawn Fertilizer 29-2-5
2	1.5	Sta-Green Lawn Weed Control
3.2	2	Sta-Green 200 Plus Weed and Feed 28-3-3
3.6	2	Sta-Green Starter Fertilizer 18-24-10
3.2	2	Sta-Green Weed and Feed 28-2-4
10	4	Sun and Shade Grass Seed Mixture
5	3	Sun and Shade Grass Seed Mixture
3	1	Vigoro Insect Control Plus Fertilizer
3.6	2	Vigoro Starter Fertilizer
3.2	2	Vigoro Turf Fertilizer 29-3-4
3	1.5	Vigoro Ultra Turf Winterizer 22-3-14
3.2	2	Vigoro Weed and Feed
4	3	Wal Mart Gardens Kentucky Bluegrass Grass Seed
2	2	Wal Mart Gardens Kentucky Bluegrass Grass Seed
8	4	Wal Mart Gardens Kentucky 31 Tall Fescue
4	3	Wal Mart Gardens Kentucky 31 Tall Fescue
3.2	2	Wal Mart Weed and Feed 28-3-3

a. Flow Control Settings are based on 3 mph forward speed.

b. The products listed are the property of their respective owners, and are not the property of, nor recommended by, Deere and Company.

Use and Care / Quality

Calibration Settings

If the product you are using is not listed in the flow control setting table (pages 25-27), use the this calibration guide to set the flow control. *NOTE: Calibration guide information is also provided on the hopper decal of the spreader.*

- Using application information on product package, find the calibration setting in the following guide and set calibration control lever.
- Adjust spread pattern.
- Calibration settings have been determined using a 3 MPH pace or 40 ft. of travel in 9 seconds.

John Deere Quality Continues with Quality Service

John Deere provides a process to handle your questions or problems, should they arise, to ensure that product quality continues with quality parts and service support.

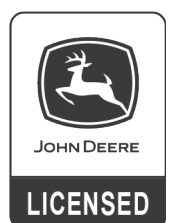
Follow the steps below to get answers to any questions you may have about your product.

1. Refer to your attachment and machine operator manuals.
2. In North America or Canada, call Brinly-Hardy Co. Customer Service at 1-866-218-8622 and provide the product serial number (if available) and model number.

This product was manufactured by Brinly-Hardy Co., a John Deere Licensee, located at 3230 Industrial Pkwy, Jeffersonville, IN 47130. If you have any questions or concerns with the assembly, installation or operation of this attachment see your local John Deere Dealer or call Brinly-Hardy Co. at 866-218-8622 for assistance.

Calibration Guide for Flow Control Settings

lbs/1000 Square Feet	Flow Control Setting
0.0 - 1.90	1
2.0 - 2.90	1.5
3.0 - 4.90	2
5.0 - 6.90	2.5
7.0 - 8.90	3
9.0 - 10.9	3.5
11.0 - 12.9	4
13.0 - 14.9	4.5
15.0 - 17.5	5
17.6 - 19.5	5.5
19.6 - 21.5	6
21.6 - 23.5	6.5
23.6 - 25.5	7
25.6 - 27.9	7.5
28.0 - 29.9	8
30.3 - 33.4	9
33.5 - 36.0	10





CERTIFICATE & DECLARATION OF CONFORMITY FOR CE MARKING

Company contact details:

Brinly-Hardy Co.
3230 Industrial Pkwy., Jeffersonville, IN 47130, USA
Tel: 800-626-5329 Fax: 812-218-6085

Brinly-Hardy Co. declares that their:

MCZLPBS36JD1 - Broadcast Spreader

is classified within the following EU Directive:

Machinery Directive 2006/42/EC

and further conform with the following EU Harmonized Standards:

EN ISO 12100:2010
EN 14017:2005+A2:2009

Dated: 6 June 2018

Name of signatory: Patrick Hobbs

Position of Signatory: Design Engineer

Signed Below:

p.p. Brinly-Hardy Co.

In compliance with the Machinery Directive 2006/42/EC the Technical file is held by
F2 Labs, Engineering Department, Suite 100, 12 Southbridge, Edinburgh, Scotland EH1 1DD

Warranty

Limited Warranty for New John Deere Licensed Products

A. General Provisions – The warranties described below are provided by manufacturer, Brinly Hardy Company, on John Deere Licensed products to the original purchaser of new Lawn and Garden attachments from authorized John Deere Dealers & Retailers. Under these warranties, the manufacturer will repair or replace, at its option, any covered part found to be defective in material or workmanship during the applicable warranty term. The purchaser will be responsible, however, for any service call and / or transportation of product to and from the dealer's place of business, for any premium charged for overtime labor requested by the purchaser, and for any service and/or maintenance not directly related to any defect covered under the warranties below.

B. What is warranted – All parts of any new John Deere Licensed product, are warranted for the number of months specified below. When you call please have the serial number, if applicable, and model number.

C. What is not warranted – 1) Used products; (2) Any product that has been altered or modified in ways not approved by the manufacturer; (3) Depreciation or damage caused by normal wear, lack of reasonable and proper maintenance, failure to follow operating instructions, misuse, lack of proper protection during storage, or accident; (4) normal maintenance parts and service.

D. Securing Warranty Service – To secure warranty service, the purchaser must (1) report the product defect to an authorized dealer, or to the manufacturer by calling 866-218-8622, and request repair within the applicable

warranty term, (2) present evidence of the warranty start date, and (3) make the product available to the dealer or service center within a reasonable period of time.

E. Limitation of implied warranties and other remedies – To the extent permitted by law, neither John Deere nor any company affiliated with it makes any warranties, representations or promises as to the quality, performance or freedom from defect of the equipment covered by this warranty. Implied warranties of merchantability and fitness for a particular purpose, to the extent applicable, shall be limited in duration to the applicable period of warranty set forth on this page. The purchaser's only remedies in connection with the breach or performance of any warranty on the John Deere Lawn and Garden attachments are those set forth on this page. In no event will the Dealer, John Deere or the manufacturer be liable for incidental or consequential damages. (Note: Some states do not allow limitations on how long an implied warranty lasts or the exclusion or limitation of incidental or consequential damages so the above limitations and exclusions may not apply to you.) This warranty gives you specific legal right, and you may also have other rights, which vary from state to state.

F. No Dealer Warranty – The selling Dealer makes no warranty of its own and the Dealer has no authority to make any representation or promise on the behalf of John Deere or the manufacturer to modify the terms or limitations of the warranty in any way.

Manufacturer's Lawn & Garden Attachments	*Warranty Term
Steel Frame	2 Years
Transmission (gearbox)	2 Years
Poly Hoppers & Beds	2 Years
Wheels	1 Year
Hydraulics	1 Year
Drive Gears	1 Year
Other normal wear parts	1 Year

**Each Warranty Term begins on the date of product delivery to the purchaser.*

Register your John Deere Licensed Product by completing & mailing in the enclosed Warranty Registration Card.
For Customer Service: Please call 866-218-8622