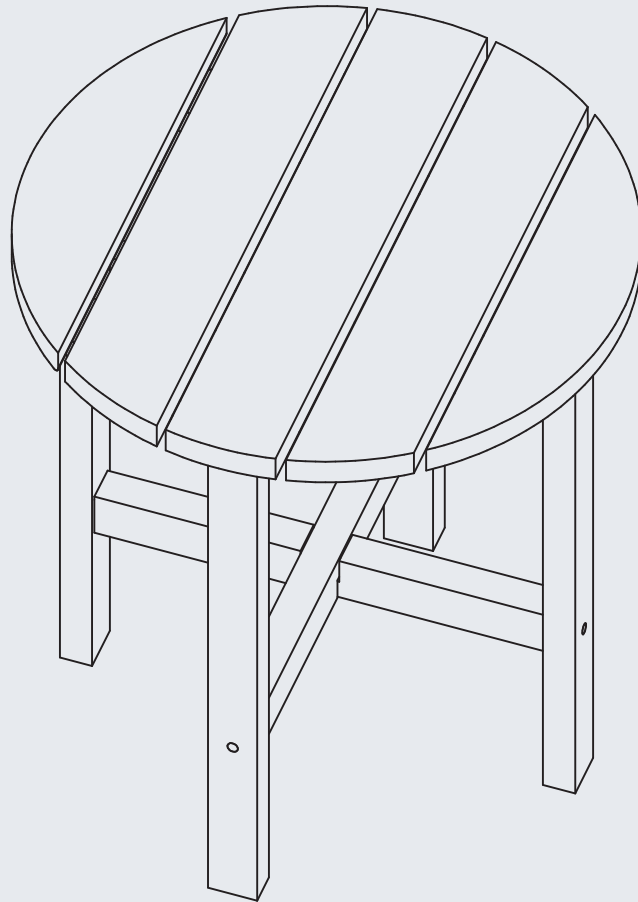


INSTRUCTION MANUAL



Round 18" Side Table

V2.0

! NOTICE

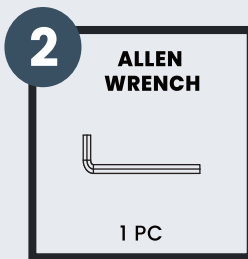
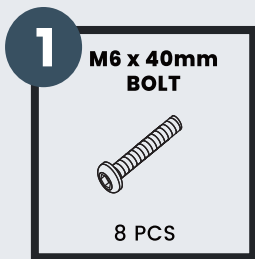
Do not overtighten bolts. (Insert all bolts before tighten bolts.)

- Please do not exceed the weight limitations of this item.
- Do not stand on or use any part of this item as a step ladder.
- Firmly secure all bolts, screws and nuts before use.
- Reconfirm that all bolts, screws, and nuts are secure every 90 days.
- Do not use or store this item in the proximity of open flame or flammable/combustible chemicals.
- Be aware that some parts are heavy and have sharp edges.

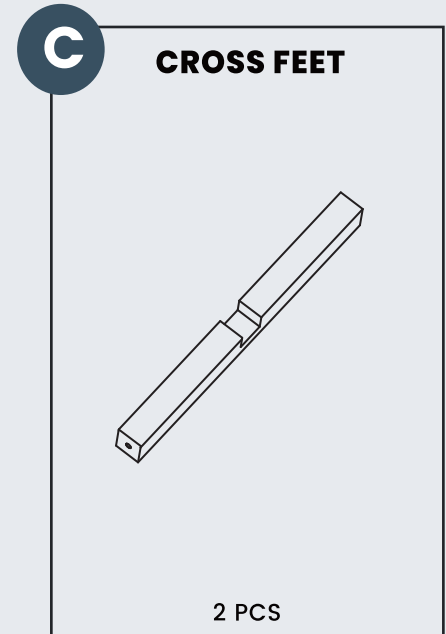
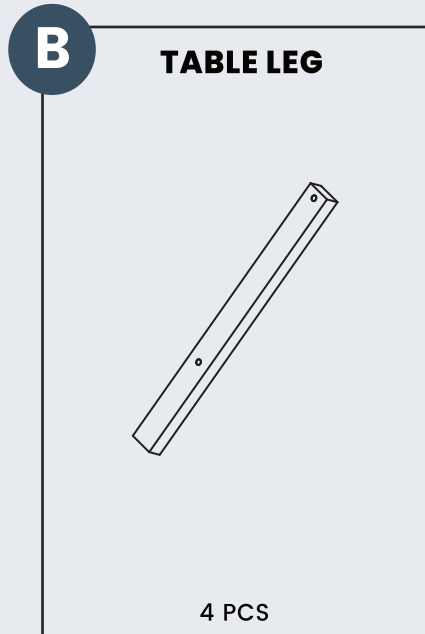
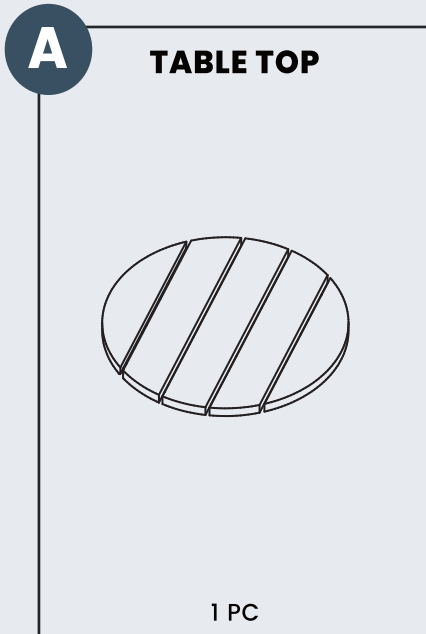
TOOLS REQUIRED



HARDWARE



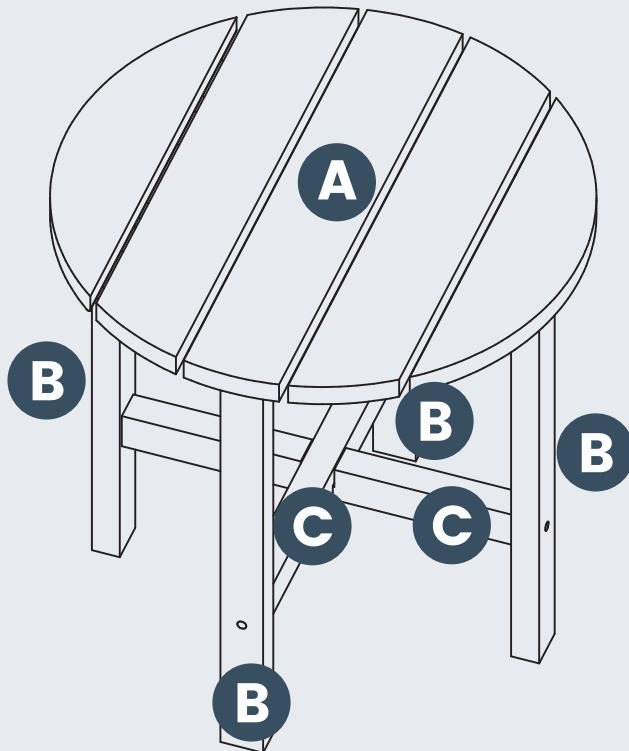
PARTS



PRODUCT ASSEMBLY - OVERALL VIEW

1

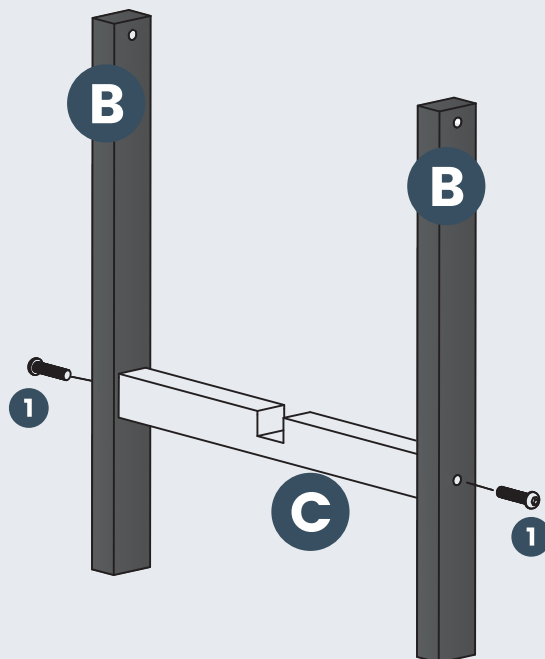
Look at following overall view of this table and learn the exact position of each parts to be assembled.



PRODUCT ASSEMBLY

1

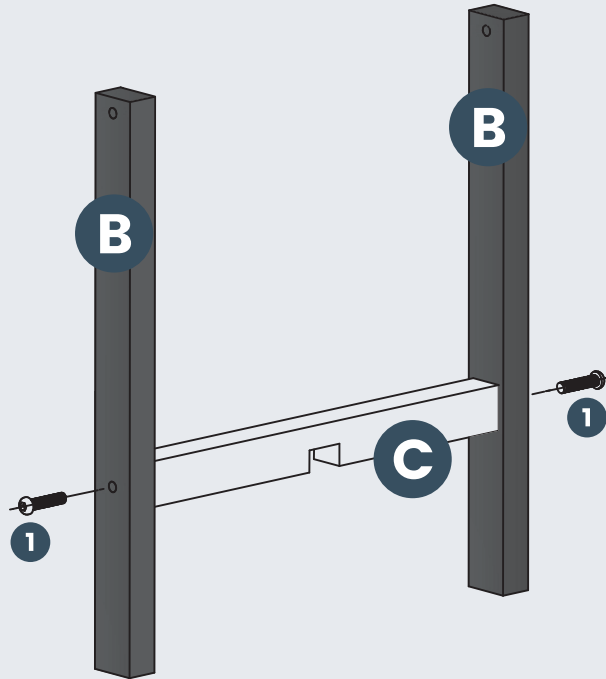
Attach **Part C Cross Feet** to 2 pcs of **Part B Table Leg** with 2 pcs of **Hardware #1 Bolt** as shown below.



PRODUCT ASSEMBLY

2

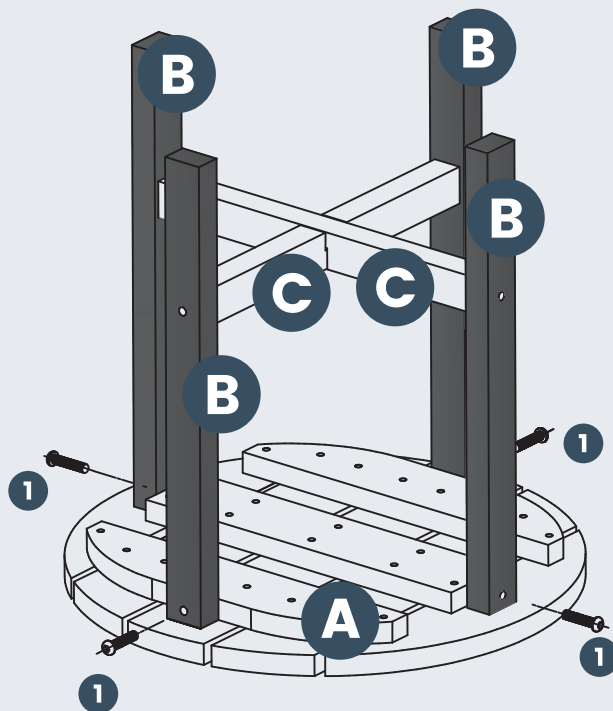
Attach **Part C Cross Feet** to 2 pcs of **Part B Table Leg** with 2 pcs of **Hardware #1 Bolt** as shown below.



3

Cross the parts from step 1 and step 2, then attach 4 pcs of **Part B Table Leg** to **Part A Table Top** with 4 pcs of **Hardware #1 Bolt**.

Check and tighten all the bolts and screws again and finish the assembly.



CLEANING TIPS

REGULAR CLEAN: Use a mixture of warm water and mild soap. Gently scrub the surface with a soft bristle brush to remove any dirt or stains.

QUICK CLEAN: You can simply wipe down the furniture with a damp cloth.

Regular cleaning not only preserves the aesthetic appeal of your furniture, but also helps extend its lifespan.