

AXOR Universal Accessories

Soap Dish

Finishes : **brushed nickel** Part no. : **42803820**



Description

Features

- Glass, Metal
- Wall-mounted
- Adaptor set #42870000 must be used when installing on a rail
- Mounting possible with toilet paper roll holder #42836000 (adaptor #42870000 necessary)

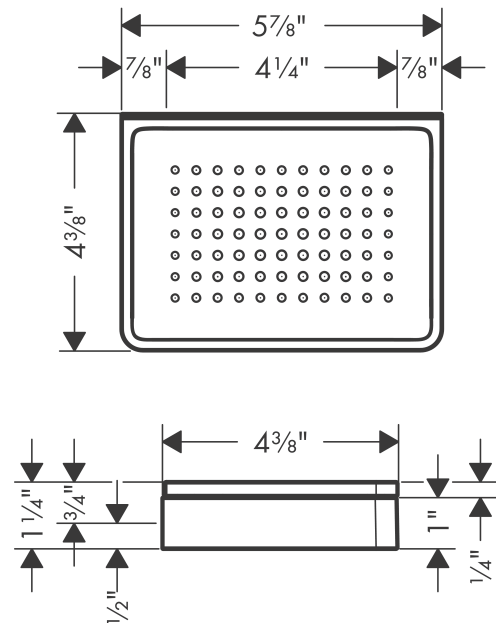
Design awards



Product image



Scale drawing



AXOR Universal Accessories

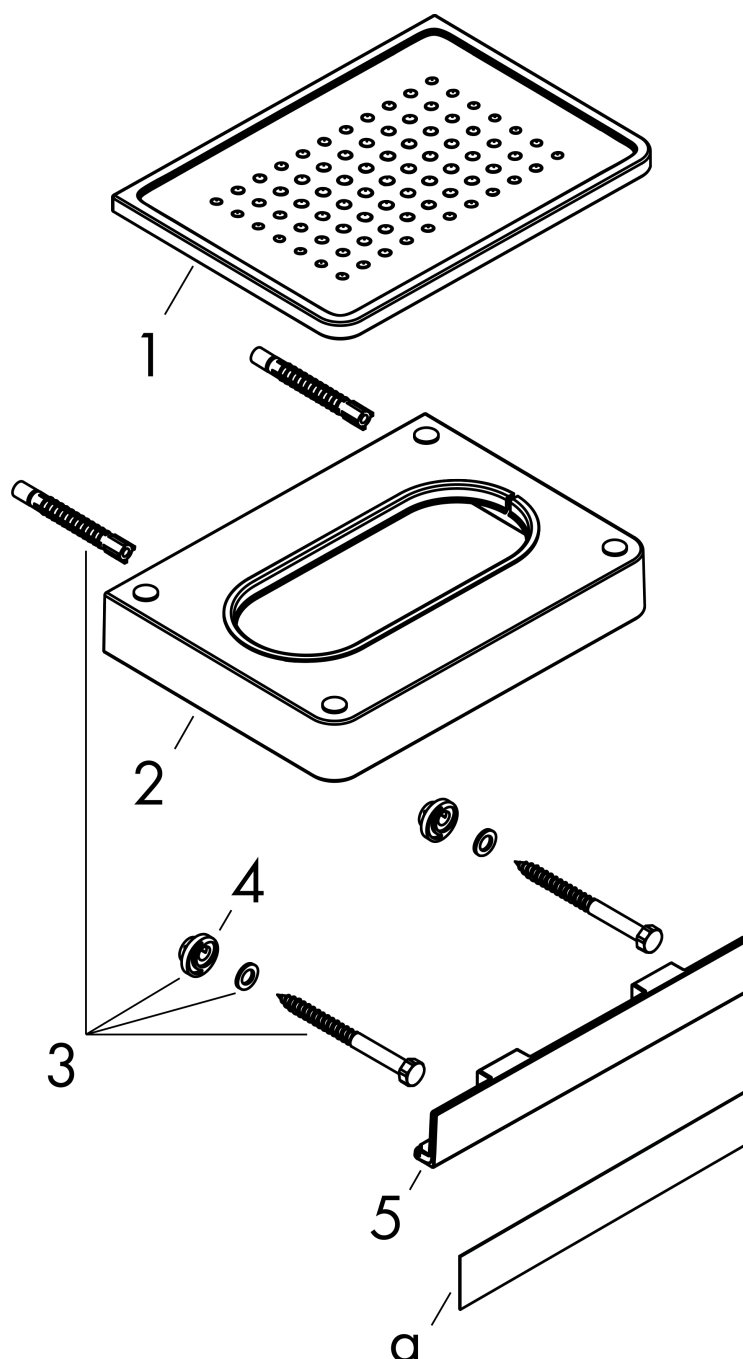
Soap Dish

Finishes : **brushed nickel** Part no. : **42803820**



Exploded drawing

Year of production: **01/16 - 10/16**



AXOR Universal Accessories

Soap Dish

Finishes : **brushed nickel** Part no. : **42803820**



Spare parts list

Year of production: **01/16 - 10/16**

Pos.	Description	Part no.	PC	PU
1	soap recess	92429000	0	1
2	support element	92424820	0	1
3	mounting set	92841000	0	1
4	excentric socket	97604000	0	1
5	cover	92427000	0	1
a	cover	42890820	0	1
b	set of adapters	42870820	0	1
c	mounting kit for two-sided glass montage	42841000	0	1