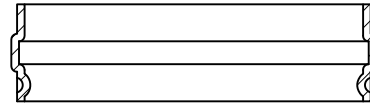
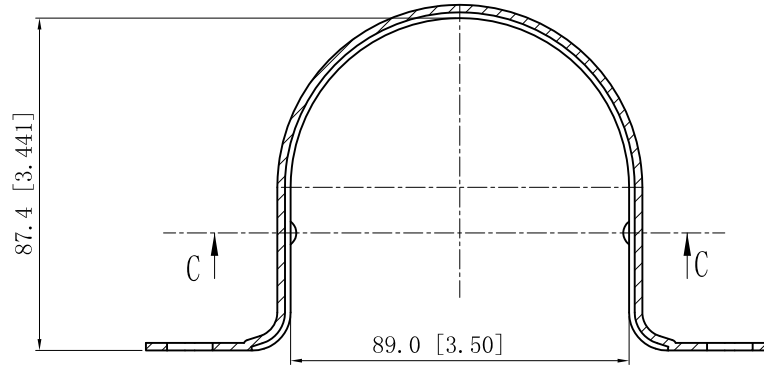


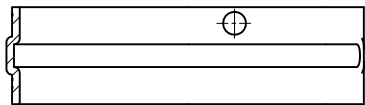
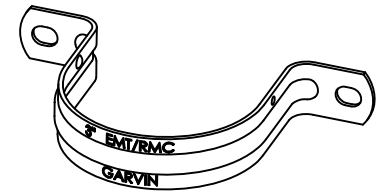
SIDES	BOTTOM
Material: Steel - 0.0785" - STAINLESS STEEL 304	



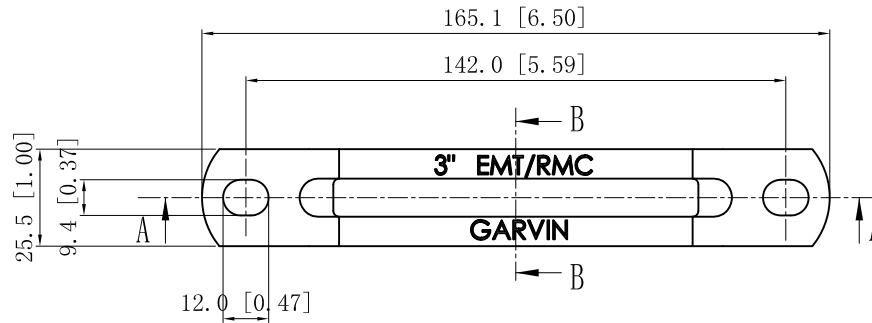
CUTAWAY VIEW C-C



CUTAWAY VIEW A-A



CUTAWAY VIEW B-B



This data sheet is for reference only .GARVIN INDUSTRIES reserves the right to make changes to the design without prior notice.

DESCRIPTION
TRADE REFERENCE TERMS

STANDARD PACKING	<h1 style="text-align: center;">GARVIN INDUSTRIES</h1> <h2 style="text-align: center;">TWO-HOLE STRAPS</h2>		
10 PCS			
	TITLE		
	SIZE	DWG NO.	REV
	A4	THSS-300	
		DATA SHEET	