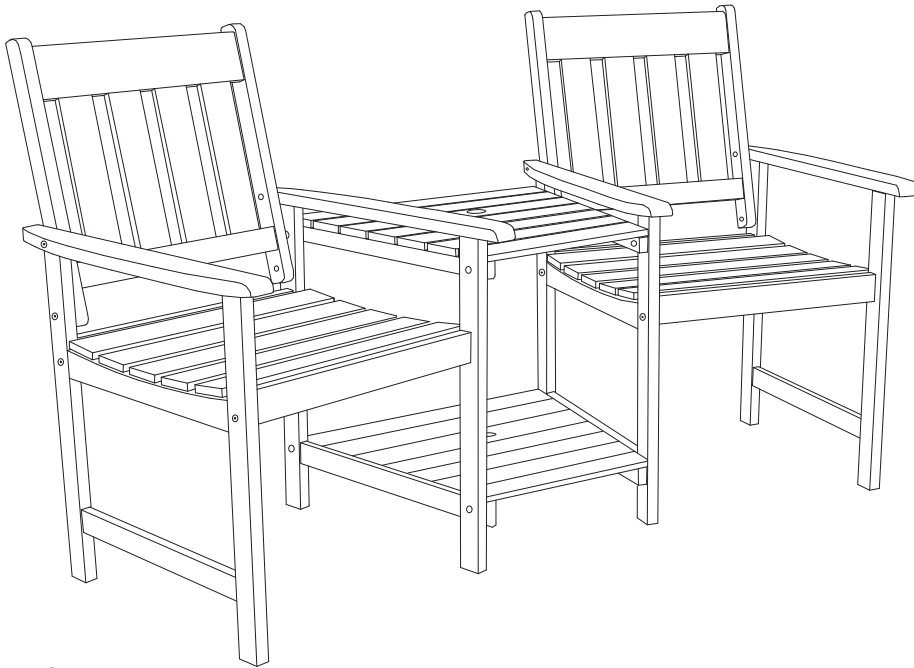



Thank you for choosing Sunnydaze Decor. We stand behind our brand and the quality of the items we sell. Replacement parts or products will be sent at our discretion within the 1-year warranty period. Proof of purchase, with the date of purchase as well as photos of the merchandise defect, must be provided. Photos are used to determine the cause of defects and for future quality control. Register your warranty at <https://tiny.cc/SunnydazeWarranty>. If you have any questions, comments or concerns, feel free to contact us by phone at 833-982-1977, by email: customerservice@sunnydazedecor.com, or via our contact us page at <https://tiny.cc/SunnydazeContact>

MERANTI WOOD JACK AND JILL ATTACHED CHAIRS AND TABLE FRN-879

Read this manual carefully before using this product. Save this manual for future reference.
Assemble components on a soft, clean surface to avoid damaging the finish.

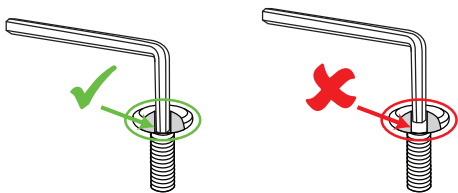


 Inspect packaging to ensure all parts are accounted for before disposing of packing materials.

 2-PERSON ASSEMBLY RECOMMENDED







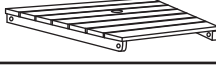





330
pounds
150 kg

⚠ WARNING ⚠
CHOKING HAZARD — This item contains small parts that can be swallowed by children. Keep children away during assembly.



Tip: Always fully insert the hex key inside the designated notch of the bolt.

If the hex key is not fully inside the notch, the hex key could slip out, causing damage to the bolt head. Repeated hex key slipping will cause the notch to become rounded, making it difficult or impossible to tighten the bolt with the hex key.

No.	PARTS	QTY.
A	 Right Arm	1
B	 Right Inner Arm	1
C	 Left Inner Arm	1
D	 Left Arm	1
E	 Seat	2
F	 Backrest	2
G	 Tabletop	2
H	 JCBC M6x40 Bolt	16
I	 JCBC M6x60 Bolt	8
J	 Barrel Nut	8
K	 Hex Key	1
L	 Barrel Nut Driver	1

ASSEMBLY

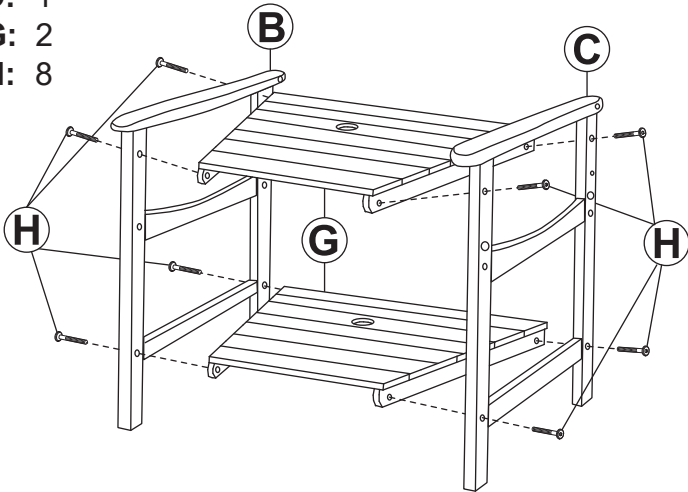
Read carefully and understand assembly before beginning.

Do not fully tighten bolts until all components have been loosely assembled.

STEP 1

NOTE: Install inner arms (B, C) with the flat edges and the seat mounting holes on the outside, as shown.

B: 1
C: 1
G: 2
H: 8

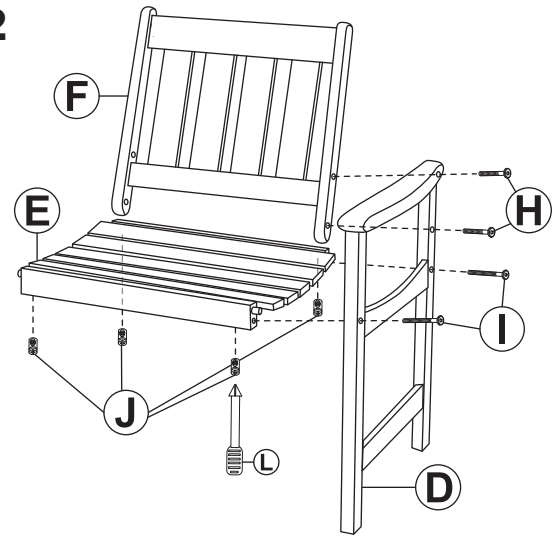


- Fasten Left Inner Arm (C) to 2x Tabletop (G) by hand-tightening 4x M6x40 Bolt (H).
- Fasten Right Inner Arm (B) to the opposite side of the tabletops by hand-tightening 4x M6x40 Bolt (H).

Do not fully tighten any bolts until after Step 5 is complete.

STEP 2

D: 1
E: 1
F: 1
H: 2
I: 2
J: 4

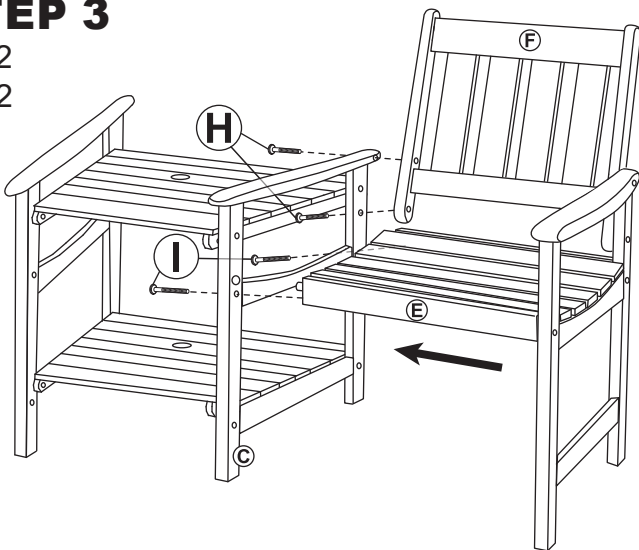


- Insert 4x Barrel Nut (J) into Seat (E). Use the Barrel Nut Driver to align the barrel nut with hole on the side of the seat.
- Align the pegs on Seat (E) with the holes on the inside of Left Arm (D) and secure them by hand-tightening 2x M6x60 Bolt (I); ensure the bolt threads into the barrel nut.
- Fasten Backrest (F) to Left Arm (D) by hand-tightening 2x M6x40 Bolt (H).

Do not fully tighten any bolts until after Step 5 is complete.

STEP 3

H: 2
I: 2

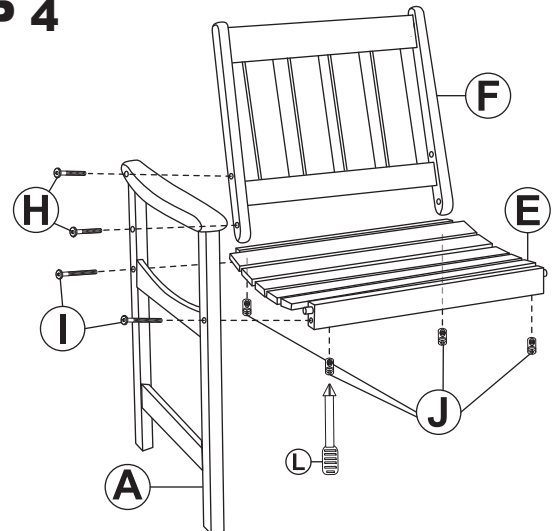


- Align the pegs on Seat (E) with the holes on Left Inner Arm (C).
- Secure the assembled left-side chair to the table by hand-tightening 2x M6x40 Bolt (H) and 2x M6x60 Bolt (I), as shown.

Do not fully tighten any bolts until after Step 5 is complete.

STEP 4

A: 1
E: 1
F: 1
H: 2
I: 2
J: 4



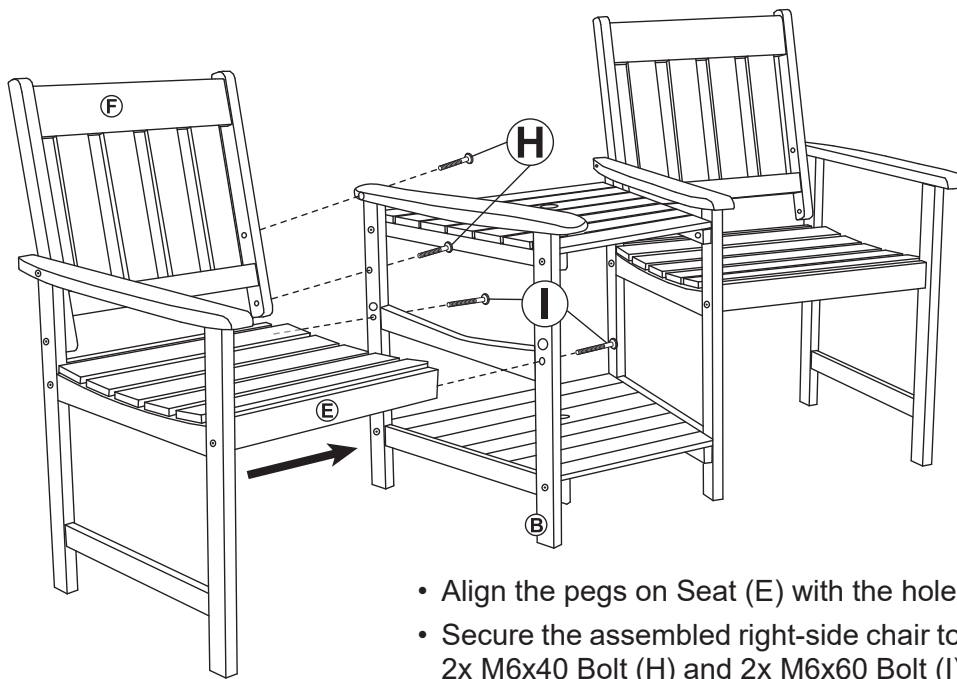
- Insert 4x Barrel Nut (J) into Seat (E). Use the Barrel Nut Driver to align the barrel nut with hole on the side of the seat.
- Align the pegs on Seat (E) with the holes on the inside of Right Arm (A) and secure them by hand-tightening 2x M6x60 Bolt (I); ensure the bolt threads into the barrel nut.
- Fasten Backrest (F) to Right Arm (A) by hand-tightening 2x M6x40 Bolt (H).

Do not fully tighten any bolts until after Step 5 is complete.

STEP 5

H: 2

I: 2



- Align the pegs on Seat (E) with the holes on Right Inner Arm (B).
- Secure the assembled right-side chair to the table by hand-tightening 2x M6x40 Bolt (H) and 2x M6x60 Bolt (I), as shown.

Tighten all bolts after this step is complete.

Care & Maintenance

SAFE USE: Only use on a flat, level surface. Do not stand on the chairs. Do not sit or stand on the table.

INSPECT: Periodically check assembly points and tighten fittings as necessary.

CLEANING: Identify the direction of the woodgrain. Following the direction of the woodgrain, wipe surfaces with a soft, dry cloth. Do not use harsh chemicals or abrasive materials or a pressure washer to clean.

COVER: When not in use, cover furniture with a breathable cover to help protect it from the harmful effects of sunlight, inclement weather, dust build-up, and collecting debris.

WINTER CARE & STORAGE: Protect this item from inclement weather, especially ice and snow. Move to a cool, dry indoor location. Covering while in storage is recommended to help prevent dust build-up.

MAINTENANCE: If left untreated, the wood may weather. A suitable wood stain or oil may need to be applied yearly.

WARNING: THE ONE-YEAR WARRANTY DOES NOT COVER DAMAGES OR DEFECTS CAUSED BY THE USE OF CHEMICAL TREATMENTS OR PROTECTIVE COATINGS.

! SAFETY STATEMENTS & WARNINGS !

- Do not exceed the weight capacity of this set.
- Firmly secure all hardware before use.
- Inspect hardware often and tighten as necessary.
- Do not use this item in the proximity of open flame or flammable/combustible chemicals.
- Keep this unit a safe distance from heat sources such as fire pits, patio heaters, and grills.
- Do not use harsh chemicals or abrasive materials to clean this unit.
- This product is for residential use only; institutional or commercial use will void this warranty.

Any modification to the product or failure to follow recommended care will void the product warranty.

! WARNING:

Manufacturer and seller expressly disclaim any and all liability from personal injury, property damage or loss, whether direct or indirect, or incidental, resulting from the incorrect attachment, improper use, inadequate maintenance, or neglect of this product.