

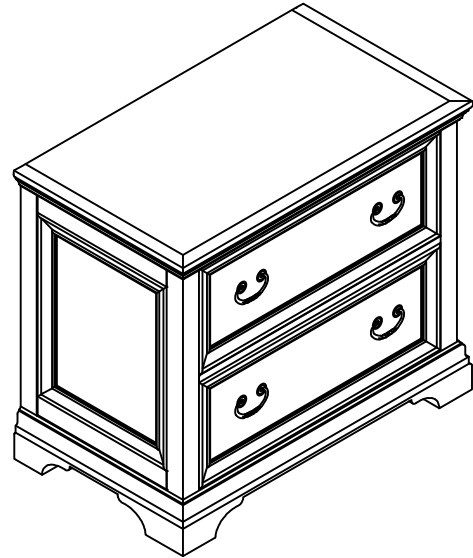
FLEXSTEEL®

Lateral File

IMPORTANT NOTE

Carefully remove all the parts from the carton and put them individually on a soft cloth to prevent damage to the parts.

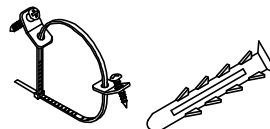
We have taken great care in the design of this product and request that you carefully and strictly follow our assembly instructions to ensure a completed product as it was designed.



Hardware List



Key
2 pieces

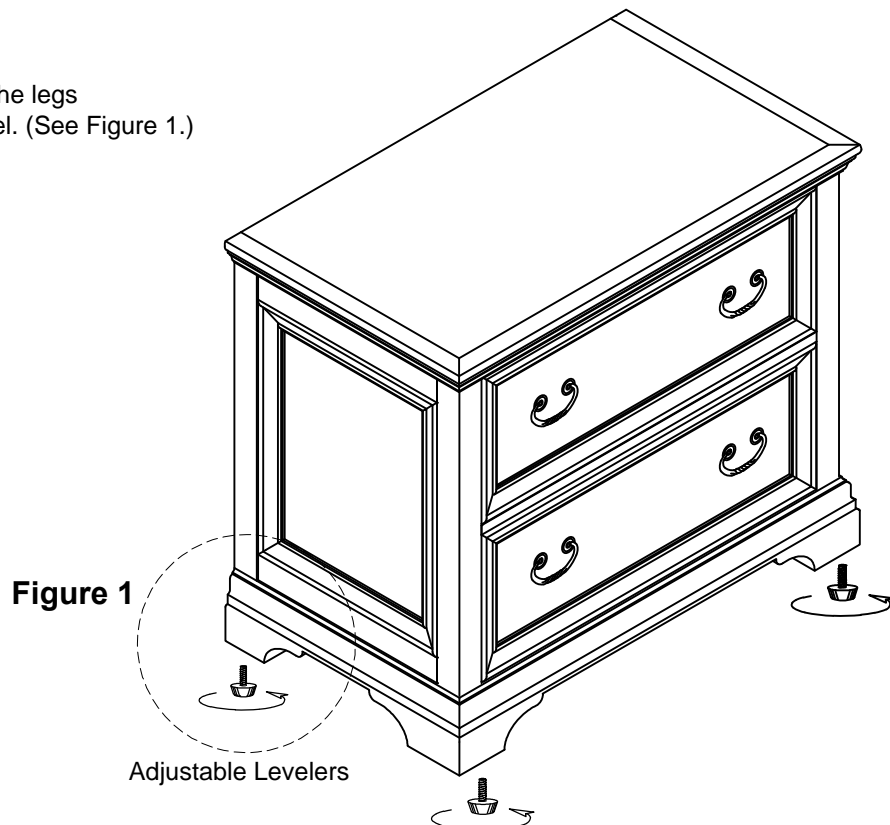


Anti-Tipping Device
1 set

Assembly Instructions

STEP 1

Adjust the levelers on the legs until the furniture is level. (See Figure 1.)



Tool(s) recommended for assembly: Level and Screwdriver