

F1960 Brass PEX Male Sweat Adapter

Job Name	_____
Location	_____
Engineer	_____
Contractor	_____
Tag	_____ PO# _____

Specifications

Manufactured to the highest industry standards, Jones Stephens' F1960 lead-free brass cold expansion fittings provide precise, secure, and leak-free connections. Made with DZR brass, F1960 cold expansion fittings are corrosion and chlorine/chemical resistant – making them a great fit for aggressive water environments. Approved for use with PEX-A piping. Can be used with F1960 PEX rings.

Applications

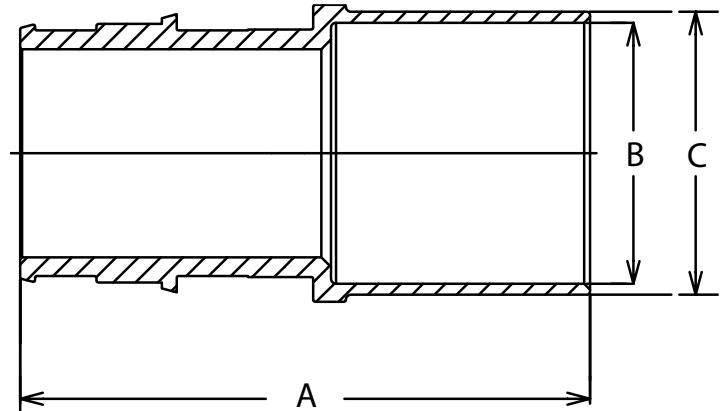
Jones Stephens' F1960 Brass Male Sweat Adapters are approved for use with commercial and residential potable and non-potable water applications.

Materials

Lead-free DZR brass

Certifications/Listings/Approvals

- ASTM F1960-2021
- NSF/ANSI/CAN 61-2021
- NSF/ANSI/CAN 372-2022
- NSF/ANSI 14-2015
- CSA B137.5-2020
- Lead Law Compliant



	ID	OD
F1960 Specified Dimensions	in (mm)	in (mm)
1/2" End Connection	.41(10.33)	.61(15.59)
5/8" End Connection	.53(13.40)	.74(18.90)
3/4" End Connection	.62(15.80)	.87(22.10)
1" End Connection	.83(21.00)	1.11(28.10)
1-1/4" End Connection	.80(20.32)	1.36(35.54)
1-1/2" End Connection	1.08(27.43)	1.49(37.85)
2" End Connection	1.56(39.62)	2.08(52.83)

Dimensions and Product Offering

PART NO.	SIZE	A - IN (MM)	A TOLERANCE ±IN(MM)	B - IN (MM)	B TOLERANCE ±IN(MM)	C - IN (MM)	C TOLERANCE ±IN(MM)	WEIGHT - LBS (G)	WEIGHT TOLERANCE ±LBS (G)
F76836	0.50"	1.38 (35.13)	0.36 (9.07)	0.54 (13.80)	0.04 (0.912)	0.04 (19.50)	9.068	0.04 (19.50)	0.02 (10.89)
F76837	0.50" x 0.75"	1.50 (38.10)	0.36 (9.07)	0.79 (20.10)	0.04 (0.912)	0.06 (25.40)	9.068	0.06 (25.40)	0.02 (10.89)
F76840	0.75"	1.87 (47.50)	0.36 (9.07)	0.79 (20.10)	0.04 (0.912)	0.08 (36.29)	9.068	0.08 (36.29)	0.02 (10.89)
F76839	0.75" x 0.50"	1.62 (41.13)	0.36 (9.07)	0.54 (13.80)	0.04 (0.912)	0.07 (33.57)	9.068	0.07 (33.57)	0.02 (10.89)
F76838	0.75" x 1.00"	1.90 (48.25)	0.36 (9.07)	1.04 (26.36)	0.04 (0.912)	0.10 (44.91)	9.068	0.10 (44.91)	0.02 (10.89)
F76835	1.00"	2.27 (57.55)	0.36 (9.07)	1.04 (26.37)	0.04 (0.912)	1.13 (28.58)	9.068	0.15 (66.68)	0.02 (10.89)
F76089	1.25"	2.60 (66.100)	0.36 (9.07)	1.24 (31.550)	0.04 (0.912)	1.37 (34.910)	9.068	0.28 (127.01)	0.02 (10.89)