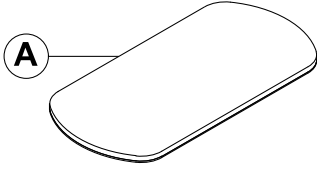


DOHENY DINING TABLE ASSEMBLY INSTRUCTIONS

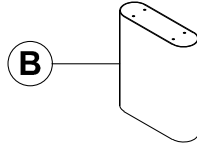


PARTS / PACKAGING CONFIGURATIONS

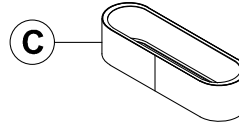
BOX #1
A. TABLE TOP 1PC



BOX #2
B. LEG 2PCS



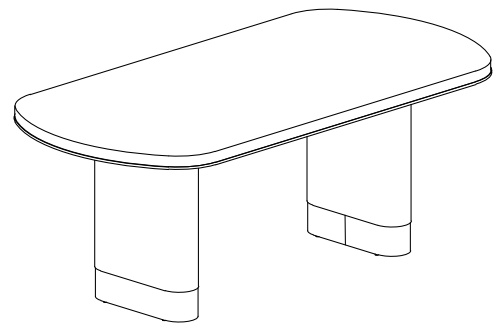
C. LEG BASE 2PCS



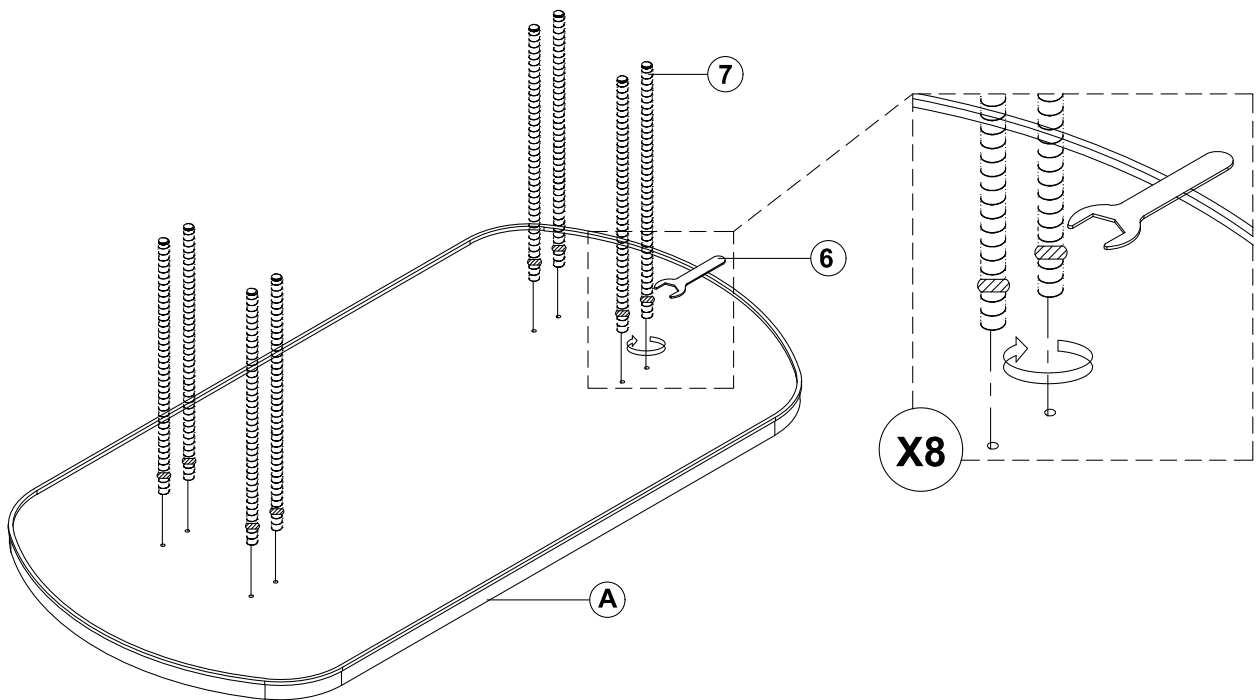
HARDWARE KIT PACKED IN BOX 2

NO.	DESCRIPTION	IMAGE	QUANTITY
1	HEX NUT (M8)		8 PCS
2	SPRING WASHER (M8)		8 PCS
3	FLAT WASHER (M8)		8PCS
4	ALLEN KEY		1 PC
5	ALLEN KEY ADAPTER (M8)		1 PC
6	WRENCH (M8)		1 PC
7	THREADED BOLT (M8)		8PCS

FULLY ASSEMBLED



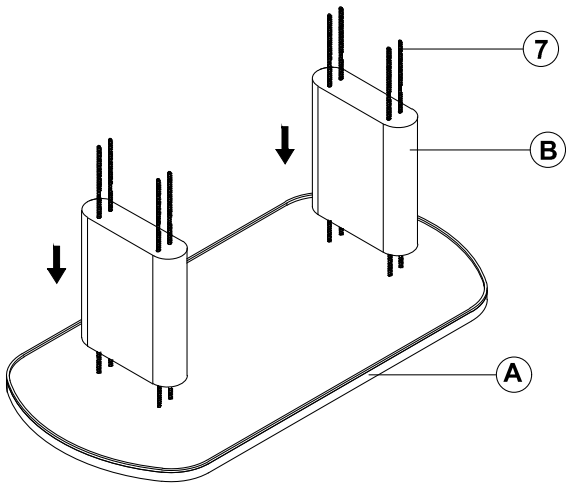
STEP 1



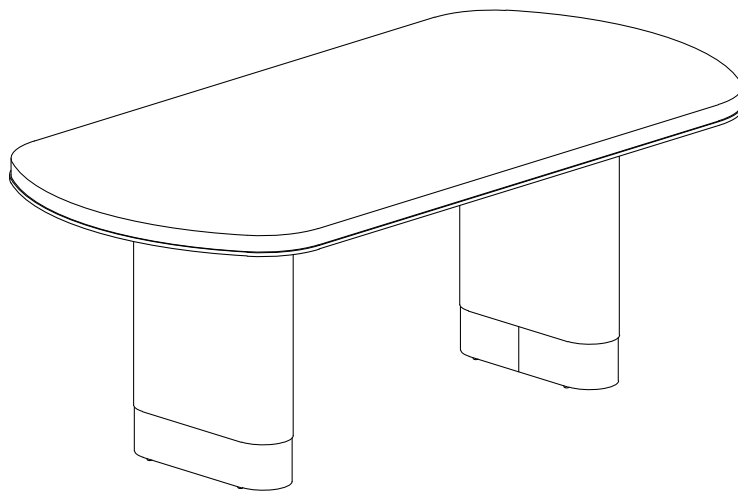
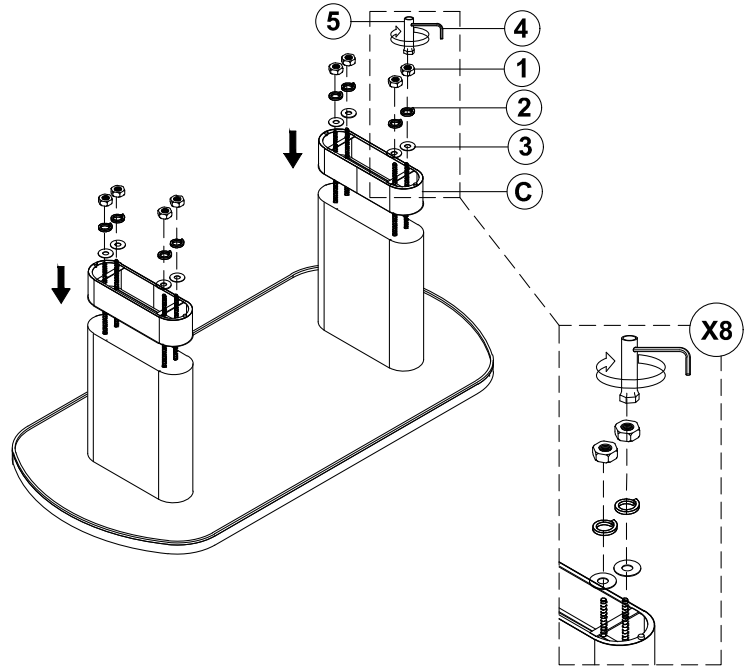
DOHENY DINING TABLE ASSEMBLY INSTRUCTIONS



STEP 2



STEP 3



ASSEMBLY COMPLETE