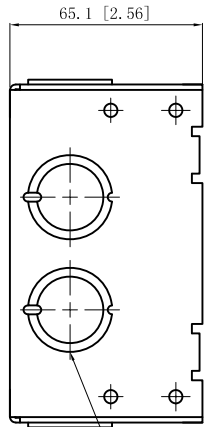
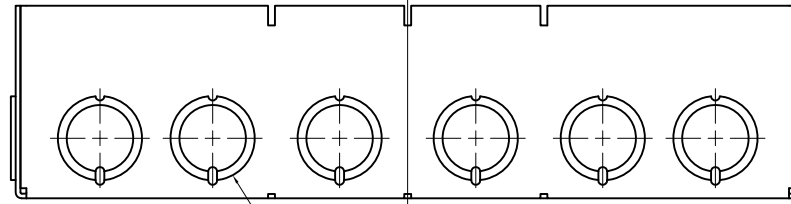
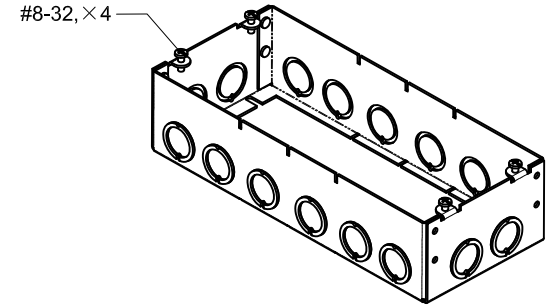
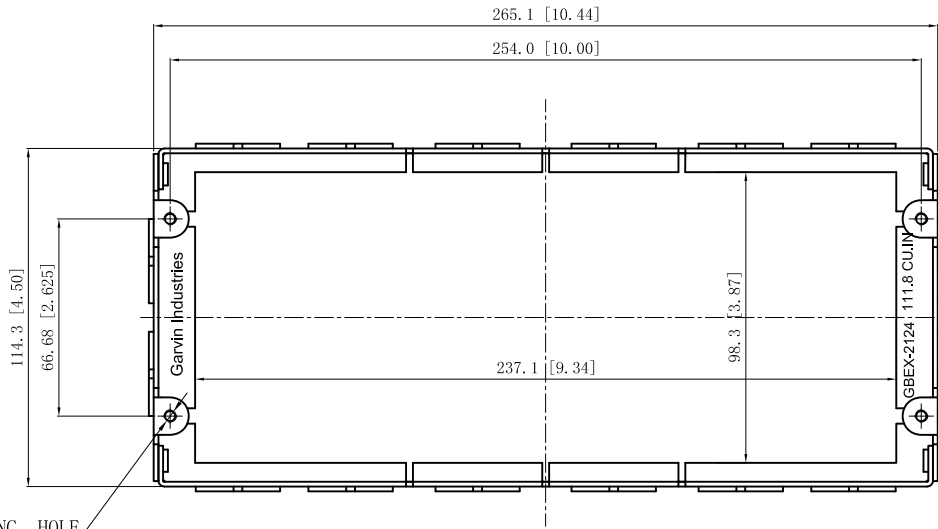


| | |
|---------------------------------------|---------------|
| SIDES | BOTTOM |
| 16 1/2"-3/4" KNOCKOUTS | |
| | |
| 4 PCS 8-32×1/2 Screws Installed | |
| Material:Steel-0.0625"-G60 Galvanized | |



4 1/2"-3/4" KNOCKOUTS $\phi=22.5[\phi=0.89]$
 $\phi=28.5[\phi=1.12]$ MIRROR

4-#8-32 UNC HOLE



12 1/2"-3/4" KNOCKOUTS $\phi=22.50[\phi=0.886]$
 $\phi=28.50[\phi=1.122]$ MIRROR

This data sheet is for reference only .GARVIN INDUSTRIES reserves the right to make changes to the design without prior notice.

| |
|------------------------------|
| DESCRIPTION |
| |
| TRADE REFERENCE TERMS |
| |

| | | | |
|-------------------------|---------------------------------------|-----------|-----|
| STANDARD PACKING | GARVIN INDUSTRIES | | |
| | TITLE 2-1/2" DEEP MULTI-GANG BOXES | | |
| 20 PCS | SIZE | DWG NO. | REV |
| | A4 | GBEX-2124 | A |
| DATA SHEET | | | |