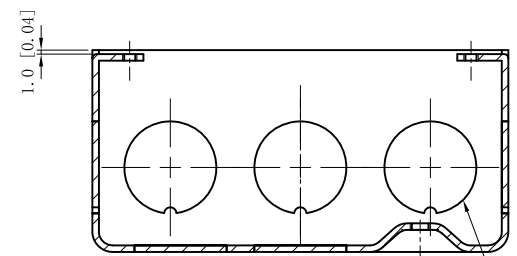
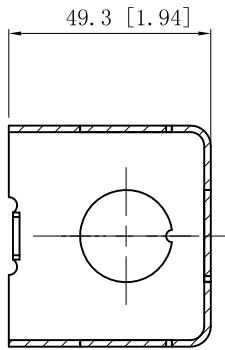
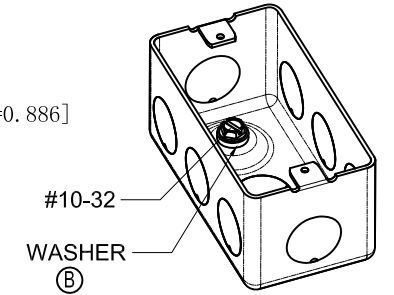


SIDES	BOTTOM
8 1/2" KNOCKOUTS	2 1/2" KNOCKOUTS
	1 Ground Hump
Material: 0.051~0.059"-Stainless steel 316	
1 pcs #10-32x3/8 screw	

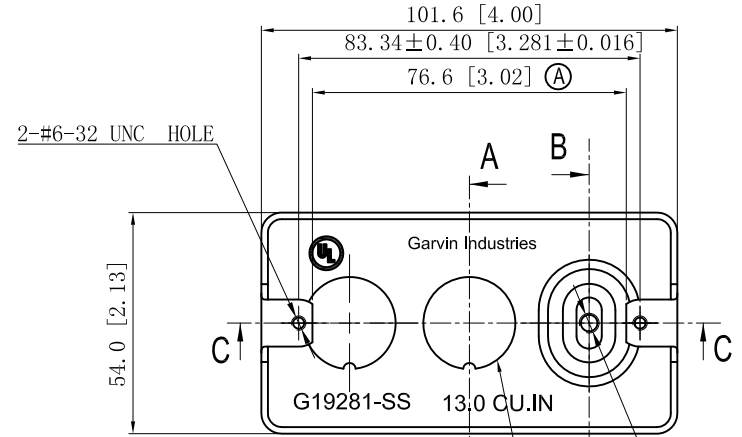


CUTAWAY VIEW C-C

6 1/2" KNOCKOUTS $\phi=22.50 [\phi=0.886]$
MIRROR



CUTAWAY VIEW A-A



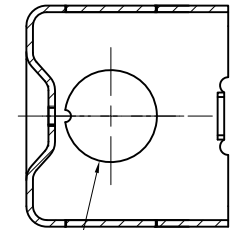
2-#6-32 UNC HOLE

Garvin Industries

G19281-SS 13.0 CU.IN

#10-32 UNF HOLE

2 1/2" KNOCKOUTS $\phi=22.50 [\phi=0.886]$
MIRROR



CUTAWAY VIEW B-B

2 1/2" KNOCKOUTS $\phi=22.50 [\phi=0.886]$
MIRROR

This data sheet is for reference only .GARVIN INDUSTRIES reserves the right to make changes to the design without prior notice.

DESCRIPTION
TRADE REFERENCE TERMS

STANDARD PACKING
50 PCS

GARVIN INDUSTRIES		
TITLE HANDY UTILITY BOXES & EXTENSION RINGS		
SIZE A4	DWG NO. G19281-SS	REV C
DATA SHEET		
www.garvinindustries.com		