



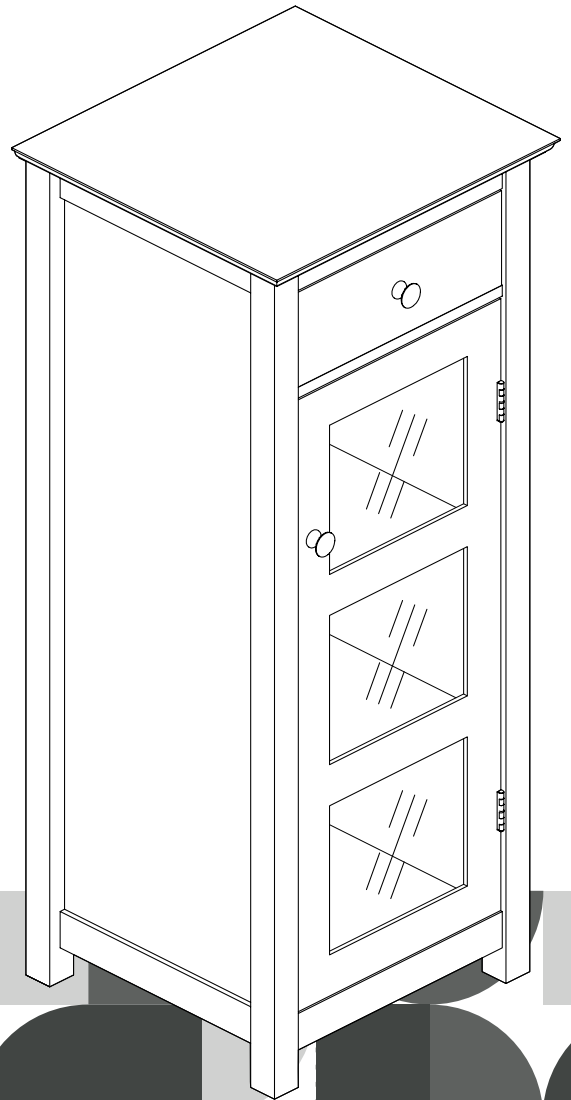
Extended Warranty  
Sign Up

E-1

# Welcome home!

**ELG-579**

**TEAMSON HOME  
Floor Cabinet With  
1 Door & 1 Drawer**





**Questions? Comments? Need help?  
Call or email us any time!**

## Global Customer Service

**USA**

**+1(800)935-3959**

Mon - Fri 10:00am ~ 2:00pm EST

✉ [support@teamson.com](mailto:support@teamson.com)

**EU/UK**

**+44(0)1952-916-050**

Mon - Thu 9:00am ~ 5:00pm GMT

Friday 9:00am ~ 4:00pm GMT

✉ [support@teamson.co.uk](mailto:support@teamson.co.uk)

**ASIA**

深圳办公室:

**+86(0755)8885-3558.分机号331**

Mon - Sat 9:00am ~ 5:00pm GMT+8

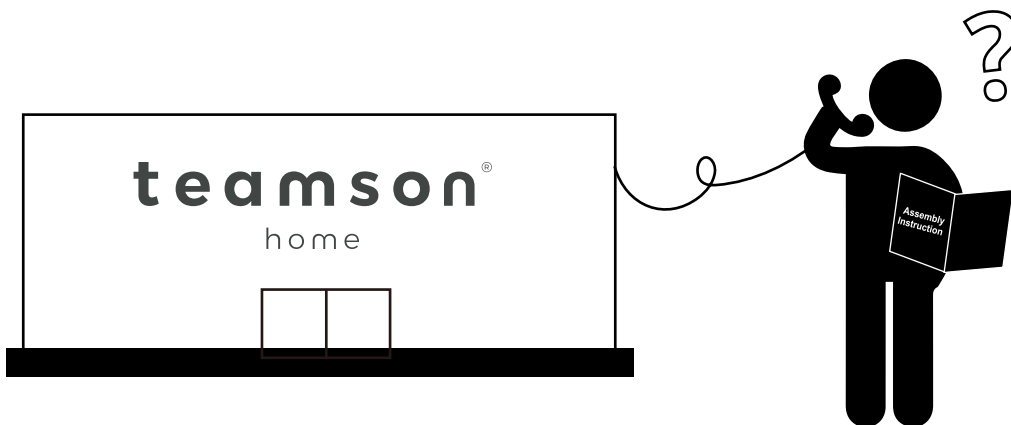
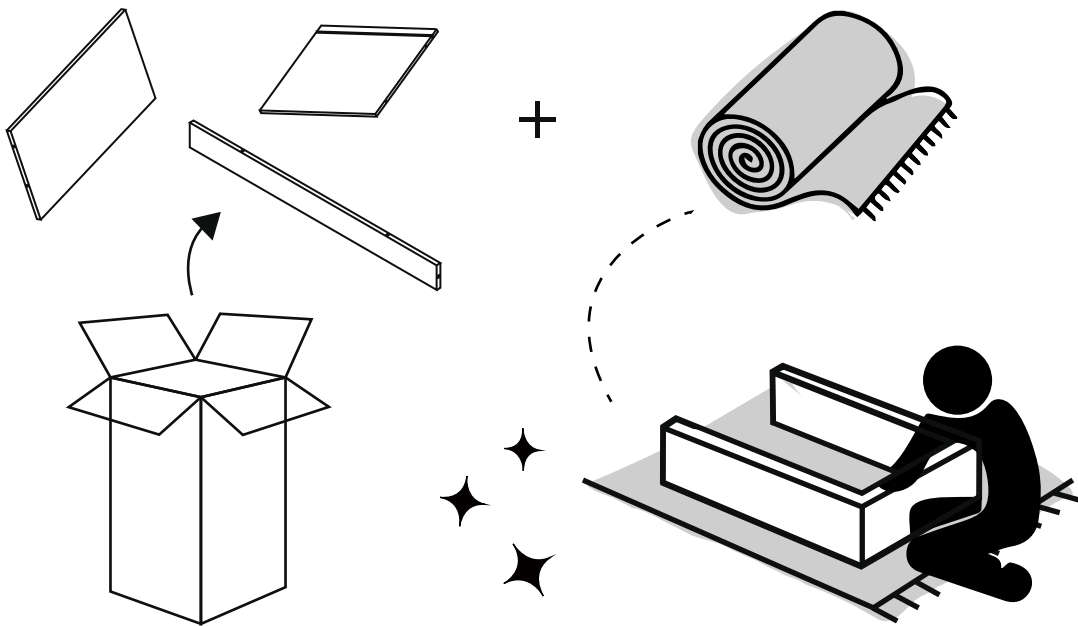
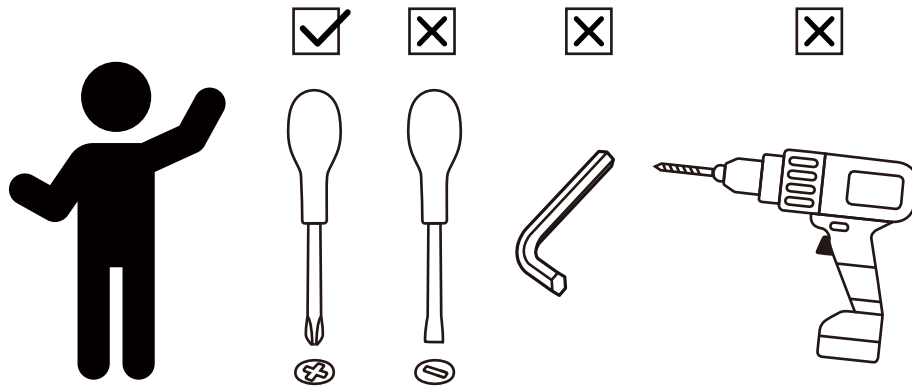
✉ [sales\\_ec@teamson.com](mailto:sales_ec@teamson.com)

台北办公室:

**+886(2)2556-6268**

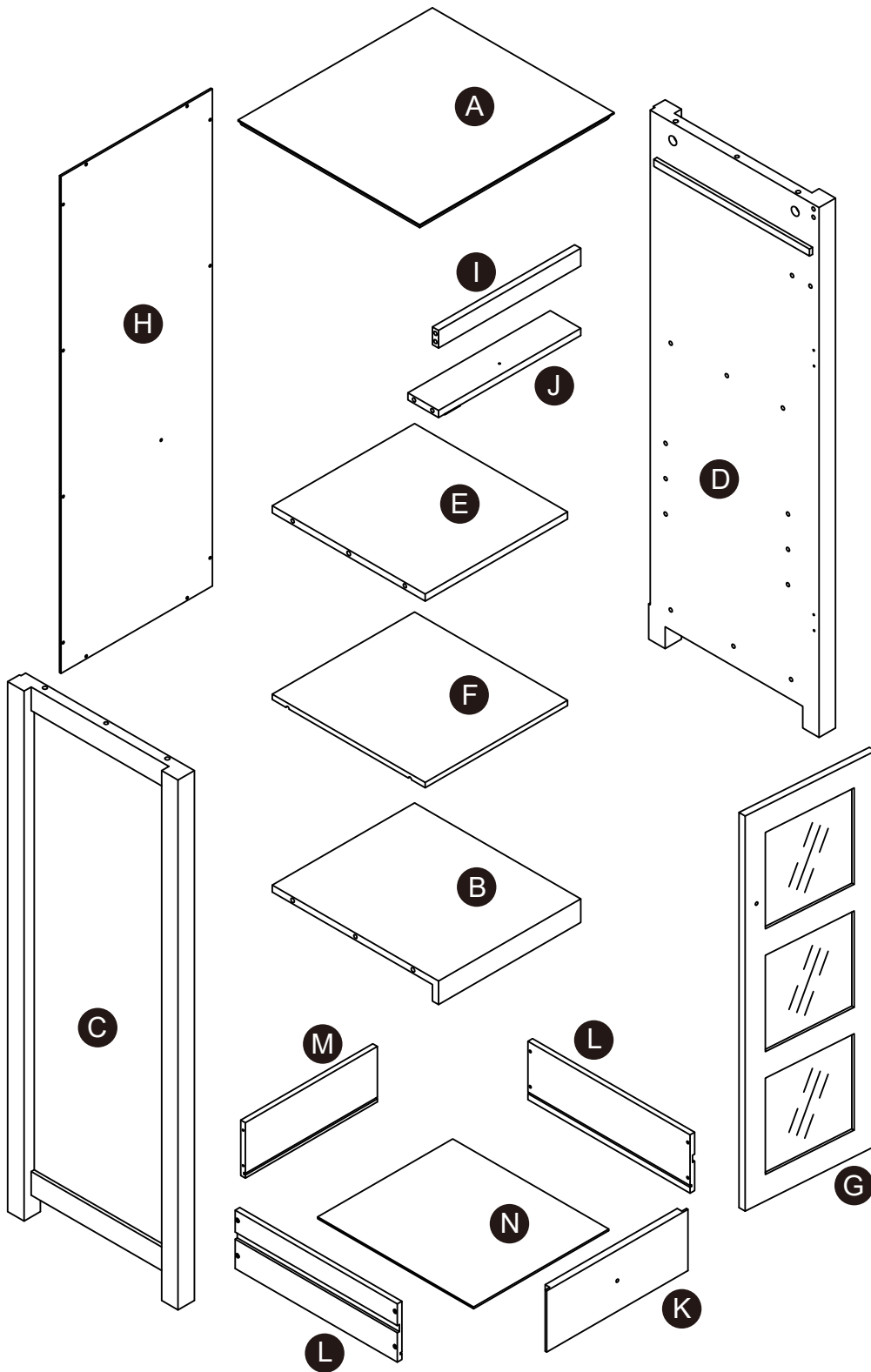
Mon - Fri 9:00am ~ 5:00pm GMT+8

✉ [sales\\_ec@teamson.com](mailto:sales_ec@teamson.com)



\*\* Got questions? Please have your product code (on the first page of this instruction, e.g. TD-12345A) and the order number ready, give us a call or email us through our customer care support! We are always ready to assist you!

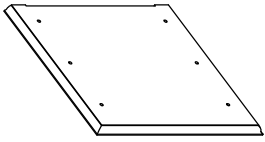
# Exploded Drawing



Scan for assembly instructions.

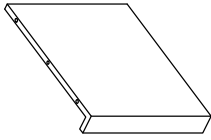
# Product Parts

A



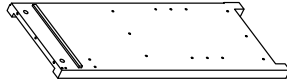
1 PC

B



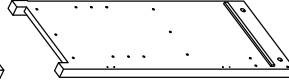
1 PC

C



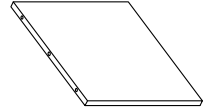
1 PC

D



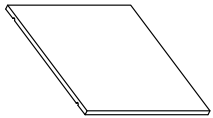
1 PC

E



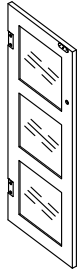
1 PC

F



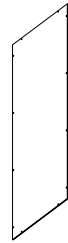
1 PC

G



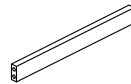
1 PC

H



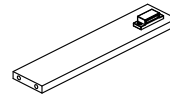
1 PC

I



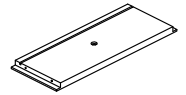
1 PC

J



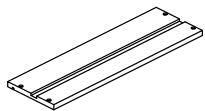
1 PC

K



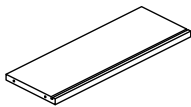
1 PC

L



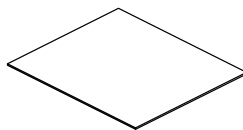
2 PCS

M



1 PC

N



1 PC

## ! Care Instructions

Dust surface with a dry soft cloth. Do not use window cleaners or cleaning abrasives as they will scratch the surface and could damage the protective coating

## ! WARNING

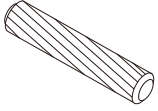
Small parts and sharp edges may be present prior to assembly.



Scan for assembly instructions.

# Hardware

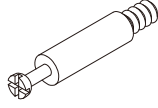
1



Ø6\*30mm

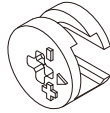
16 PCS

2



10 PCS

3



Ø15\*9

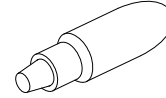
10 PCS

4



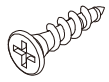
10 PCS

5



1 PC

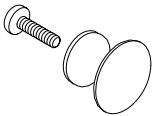
6



Ø3\*12mm

5 PCS

7



2 SETS

8



Ø3\*10 D=7

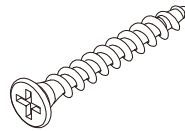
12 PCS

9



4 PCS

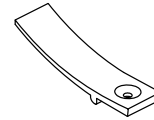
10



Ø3\*19mm

8 PCS

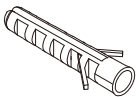
11



1 PC

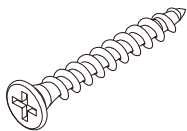
## Anti-Tip hardware

12



2 PCS

13



Ø4\*25mm

2 PCS

14



1 PC

15


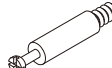




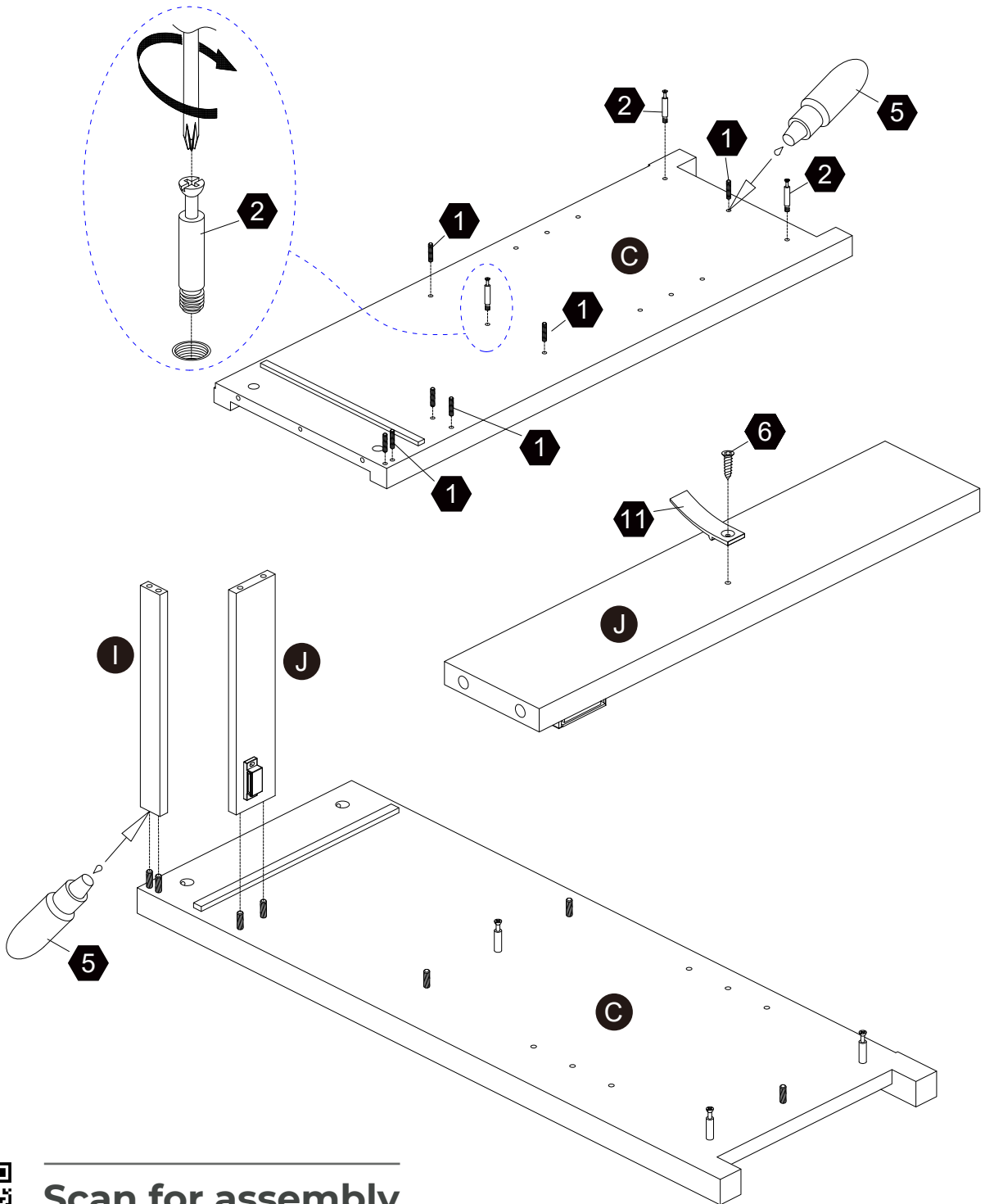
2 PCS



Scan for assembly instructions.

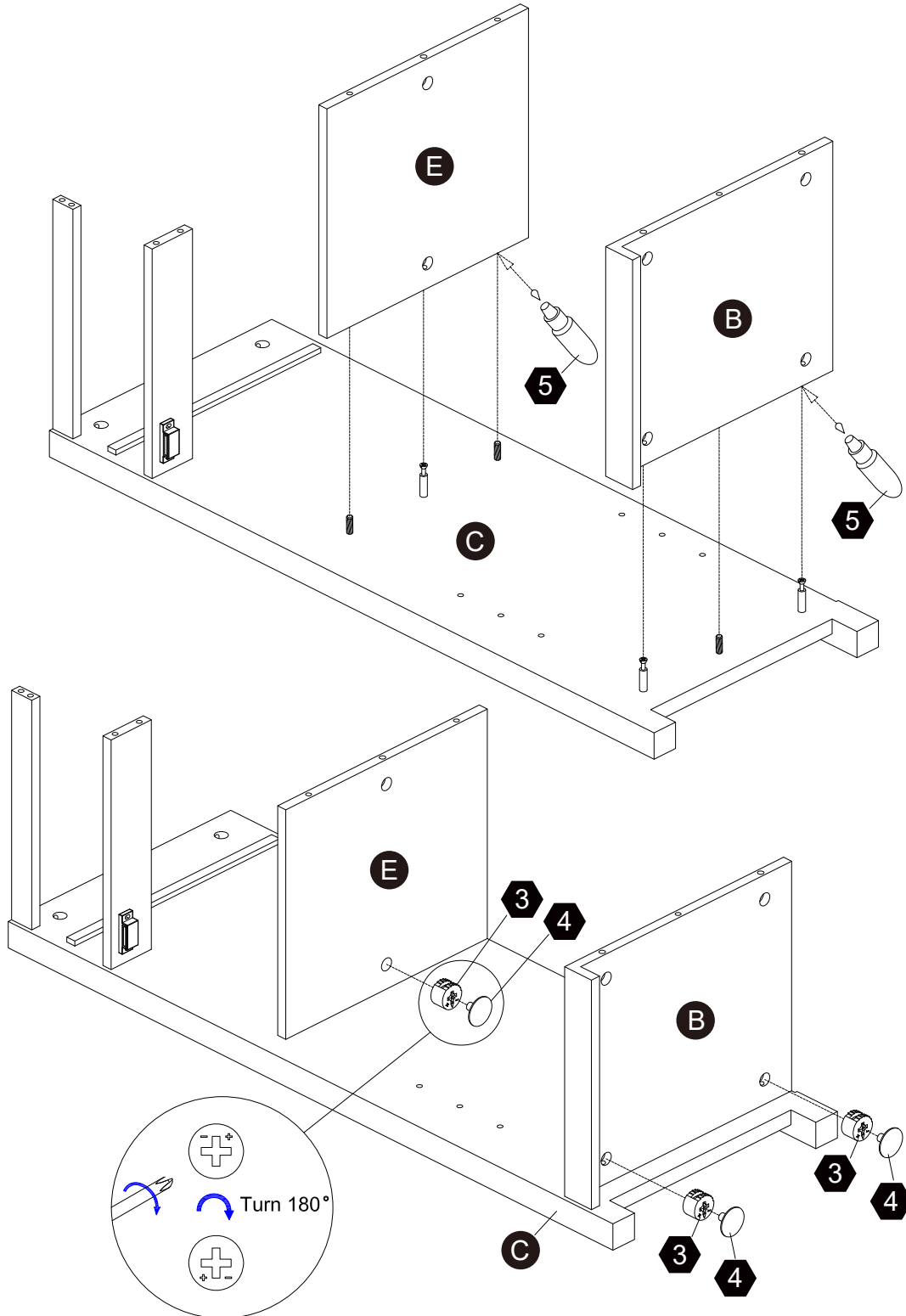
# Step 1

- 1  7 pcs  $\varnothing 6 \times 30 \text{mm}$
- 2  3 pcs
- 5  1 pc
- 6  1 pc  $\varnothing 3 \times 12 \text{mm}$
- 11  1 pc



Scan for assembly instructions.


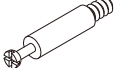
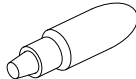
## Step 2

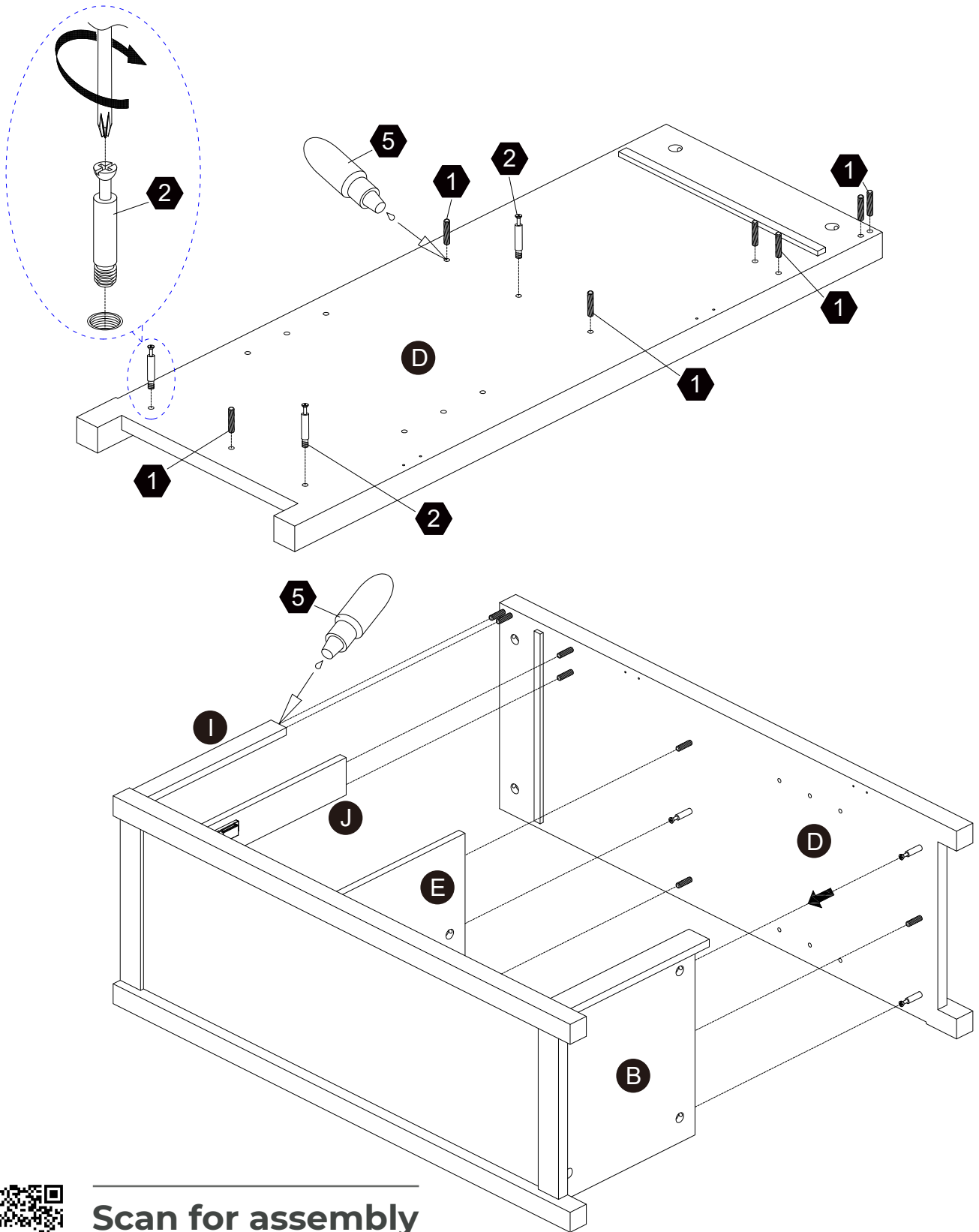


Scan for assembly instructions.




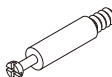


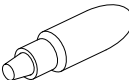
### Step 3

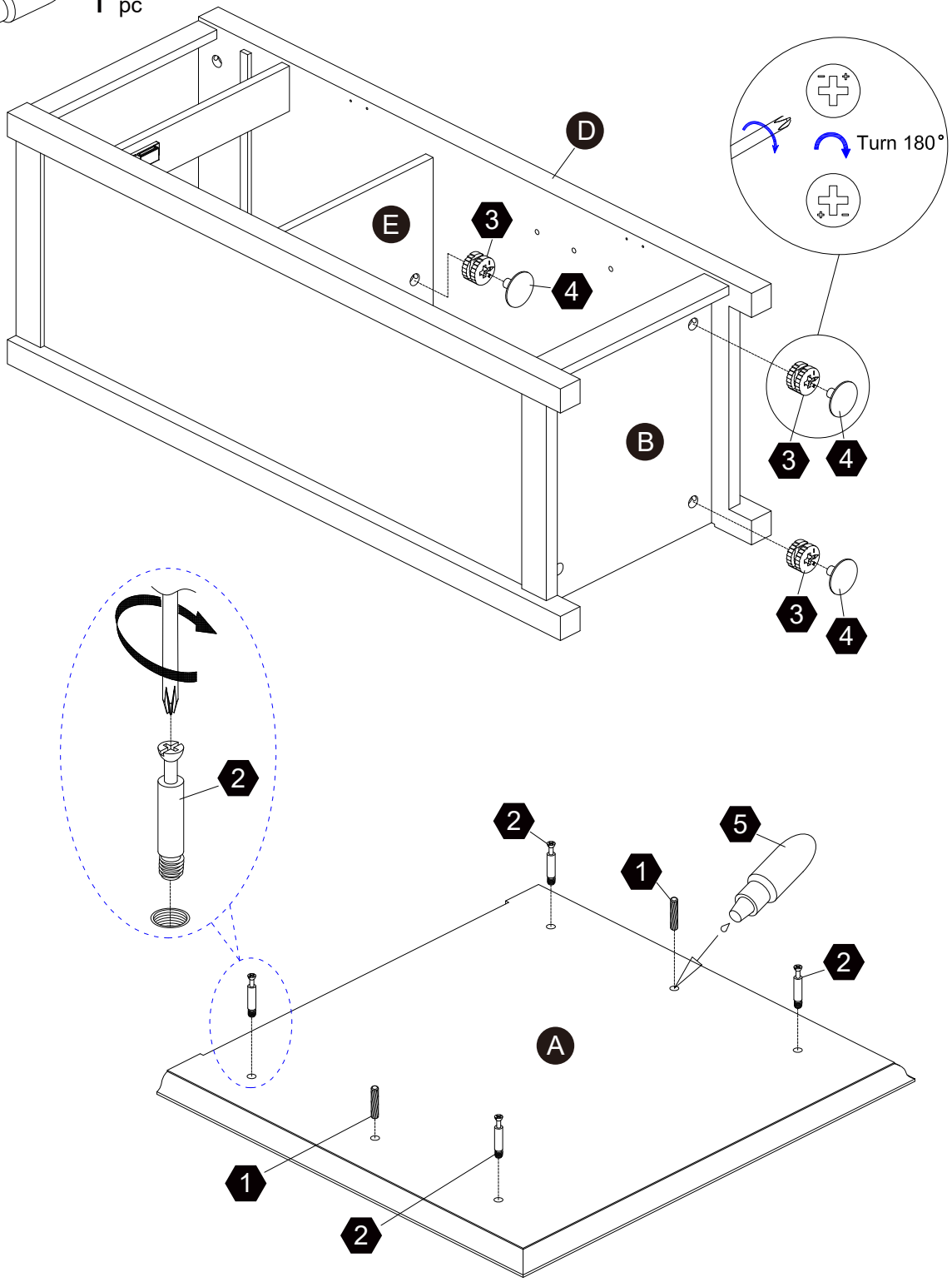
- 1  7 pcs
  - 2  3 pcs
  - 5  1 pc
- Ø6\*30mm



Scan for assembly instructions.

# Step 4

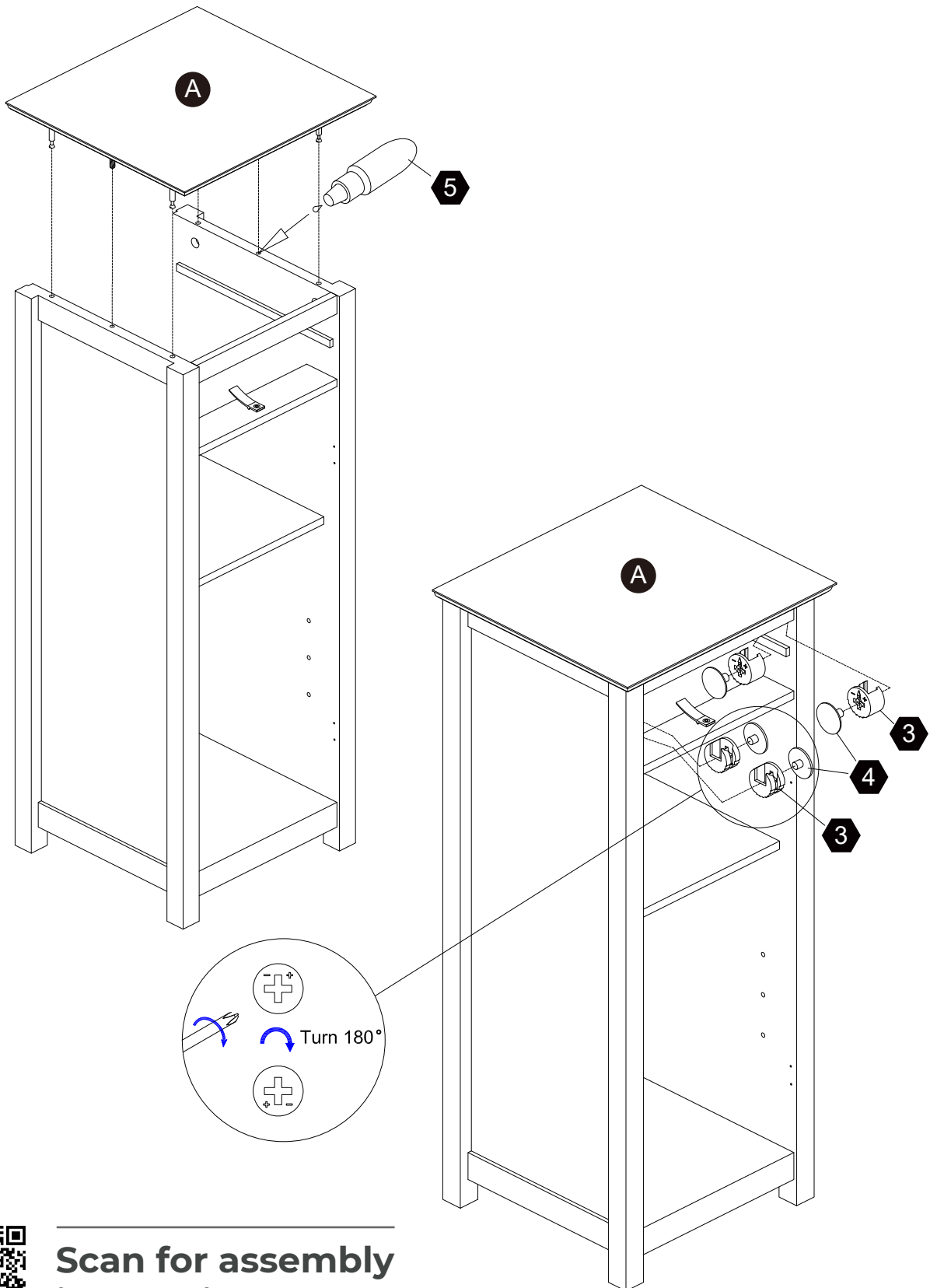
- 1  2 pcs  $\text{\O}8*30\text{mm}$
- 2  4 pcs
- 3  3 pcs  $\text{\O}15*9$
- 4  3 pcs
- 5  1 pc



Scan for assembly instructions.

## Step 5

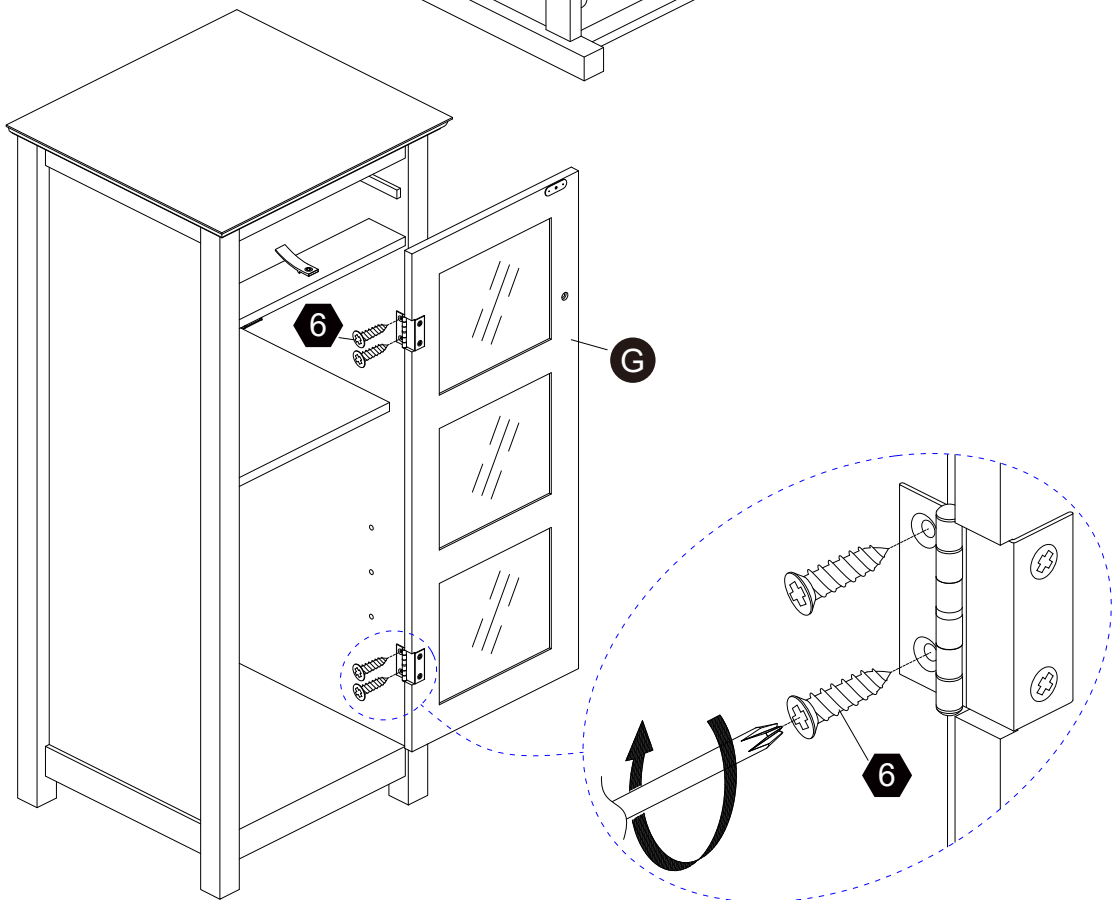
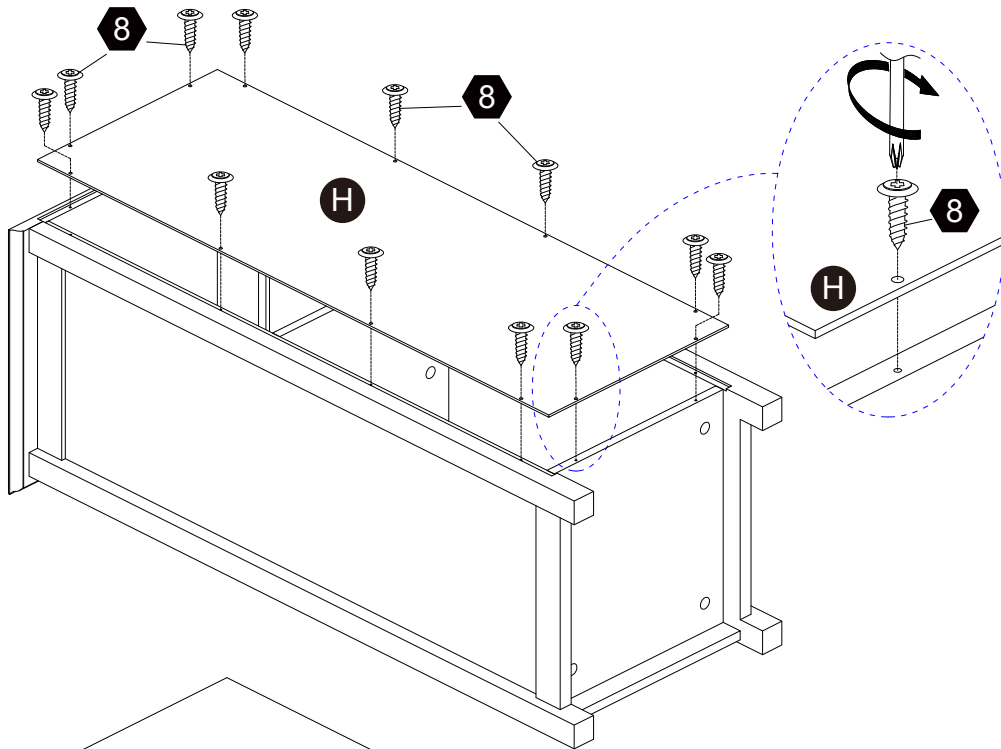
- 3**   $\text{\O}15*9$  4 pcs    **4**  4 pcs    **5**  1 pc



Scan for assembly instructions.

## Step 6

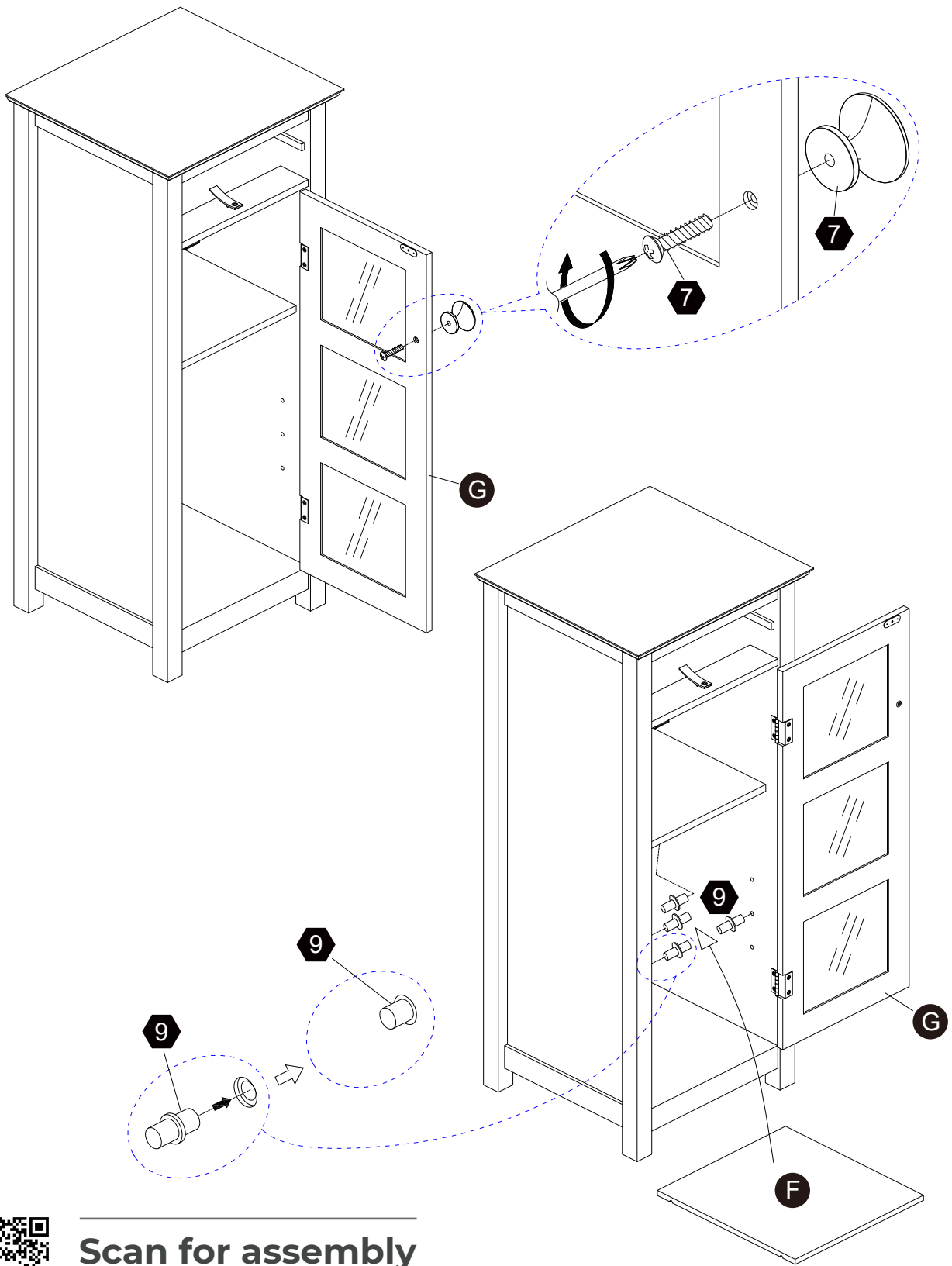
**6**  Ø3\*12mm 4 pcs **8**  Ø3\*10 D=7 12 pcs



Scan for assembly instructions.

## Step 7

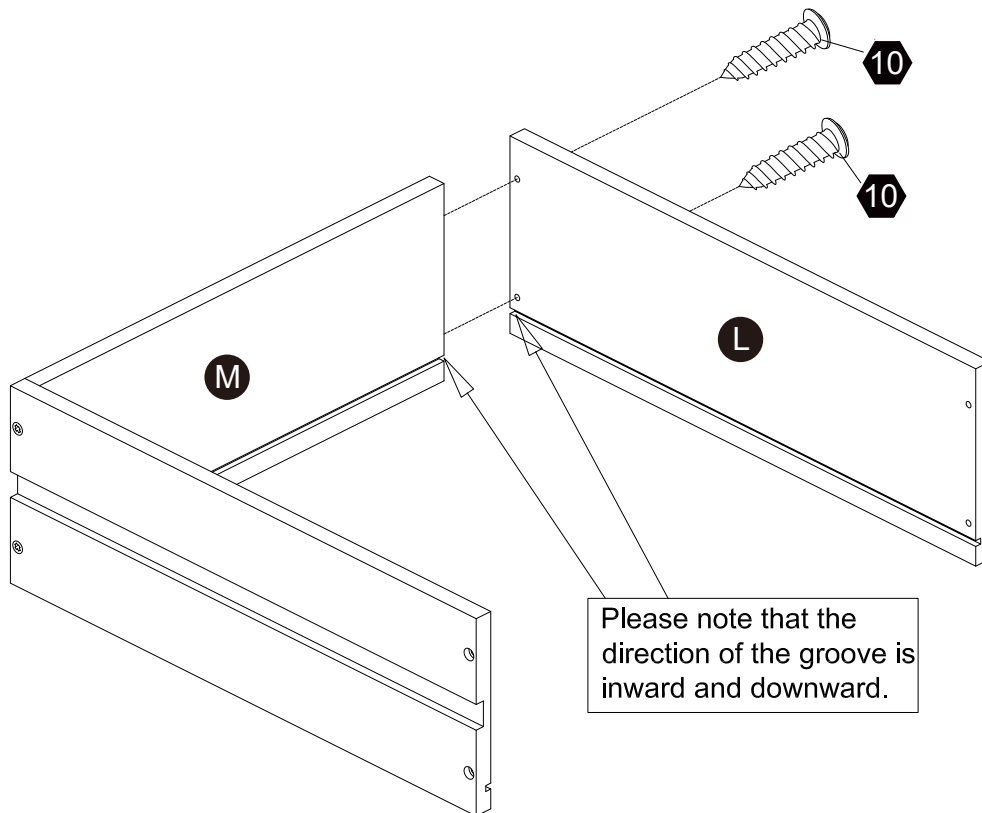
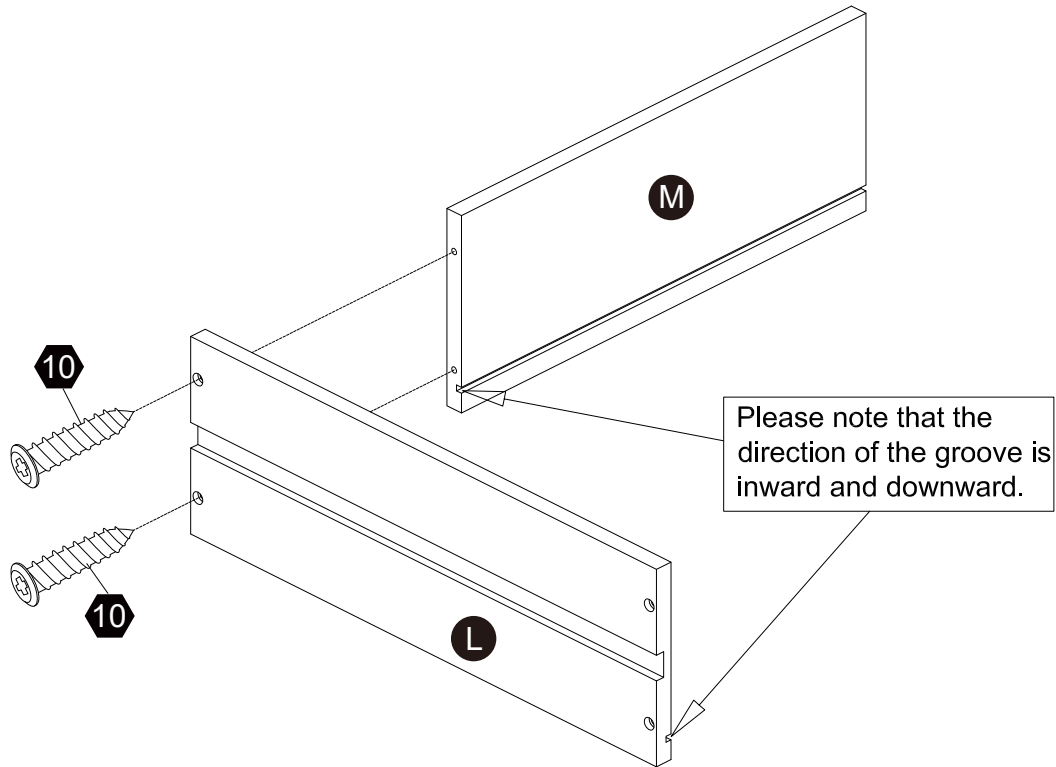
**7**  1 SET **9**  4 pcs



Scan for assembly instructions.

## Step 8

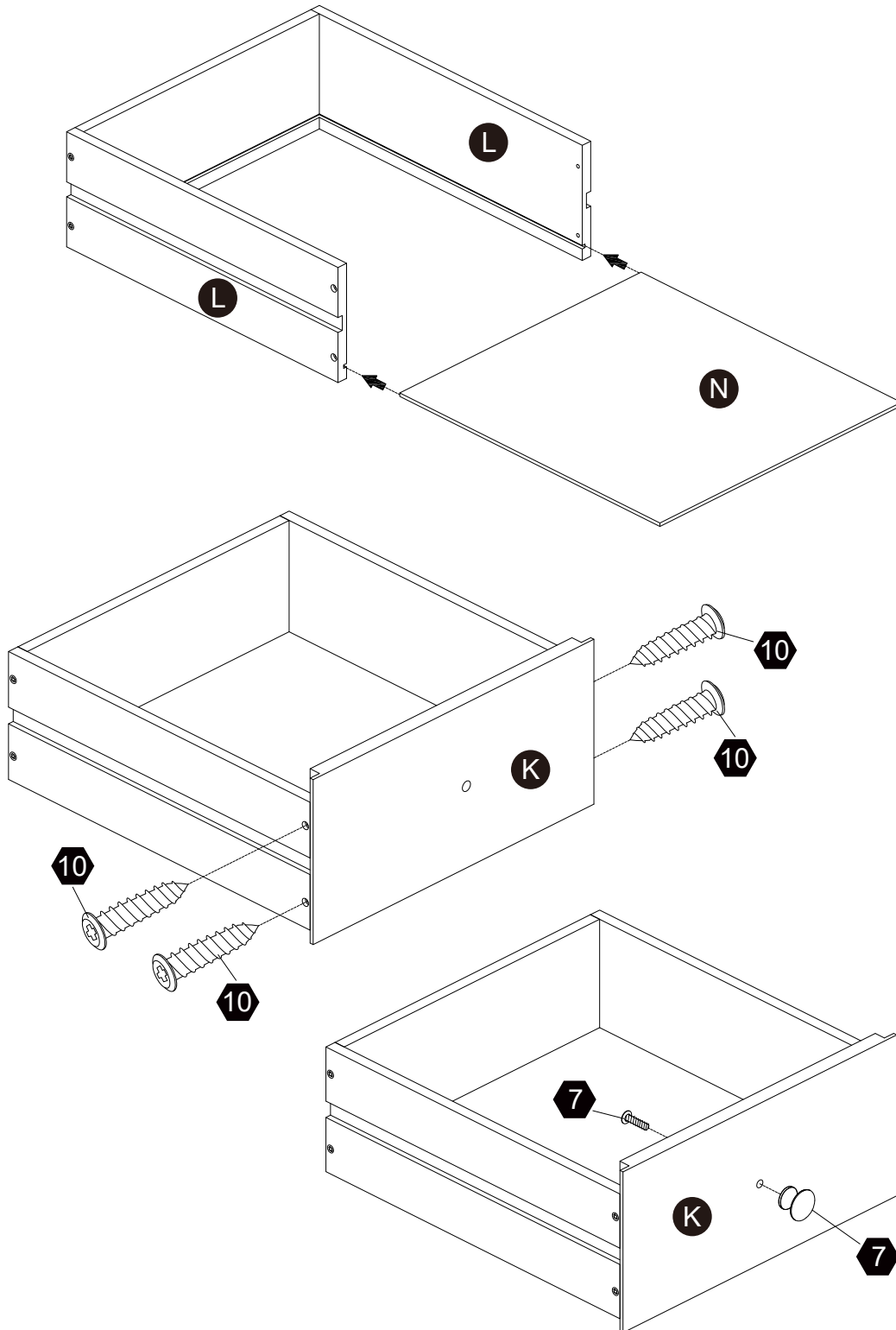
**10**  4 pcs  
Ø3\*19mm



Scan for assembly instructions.

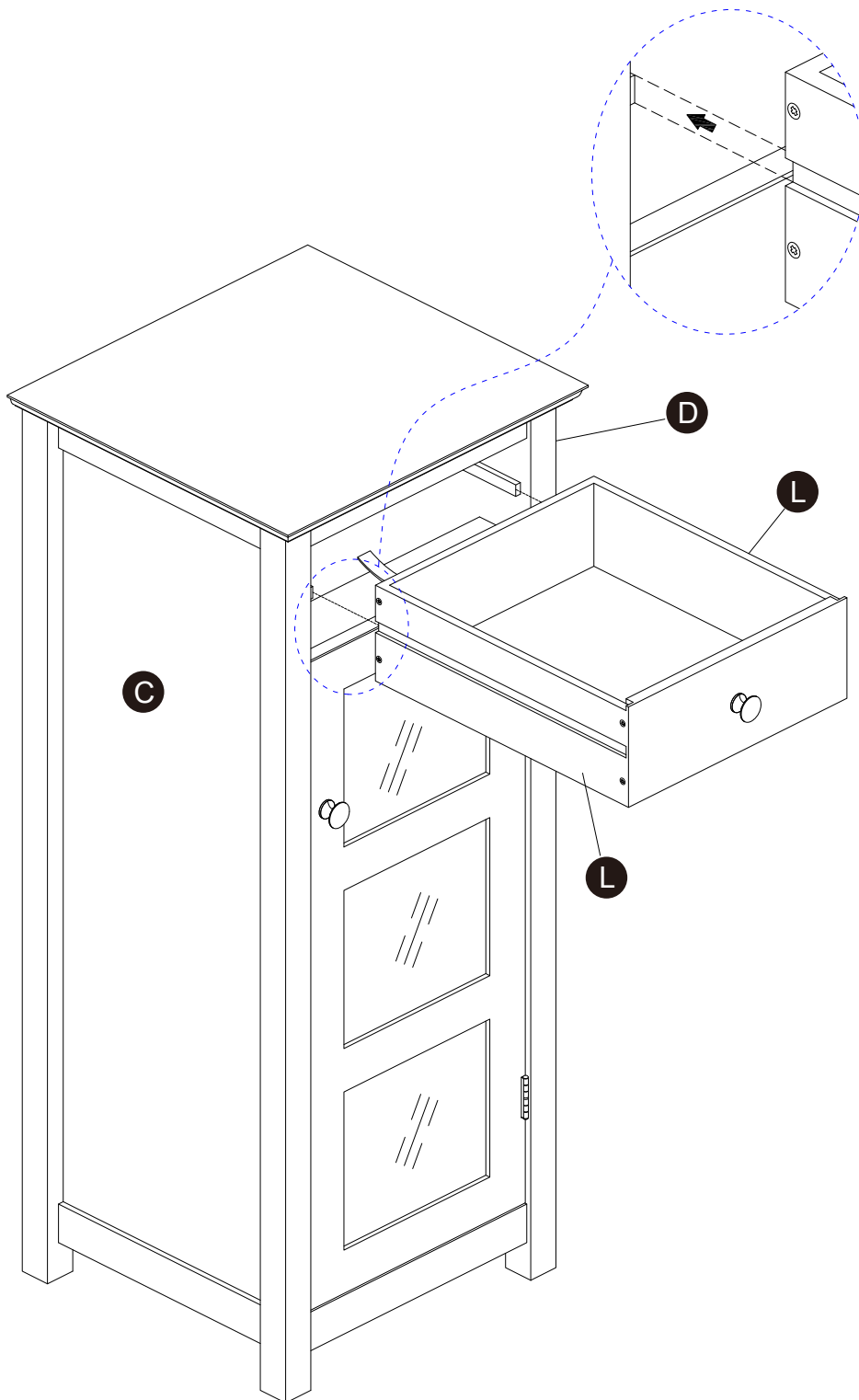
## Step 9

**7**  1 SET **10**  Ø3\*19mm 4 pcs



Scan for assembly instructions.

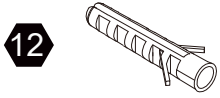
## Step 10



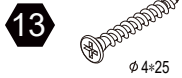
Scan for assembly instructions.



# Step 11



1 pc



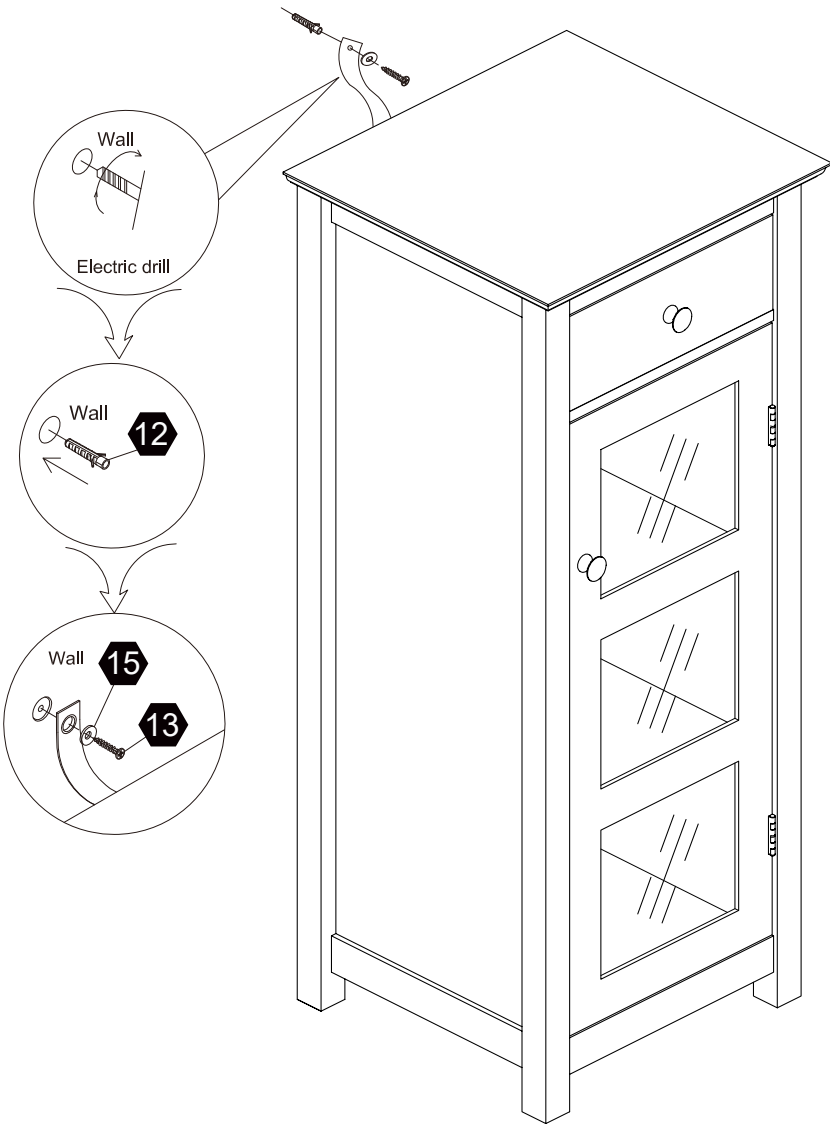
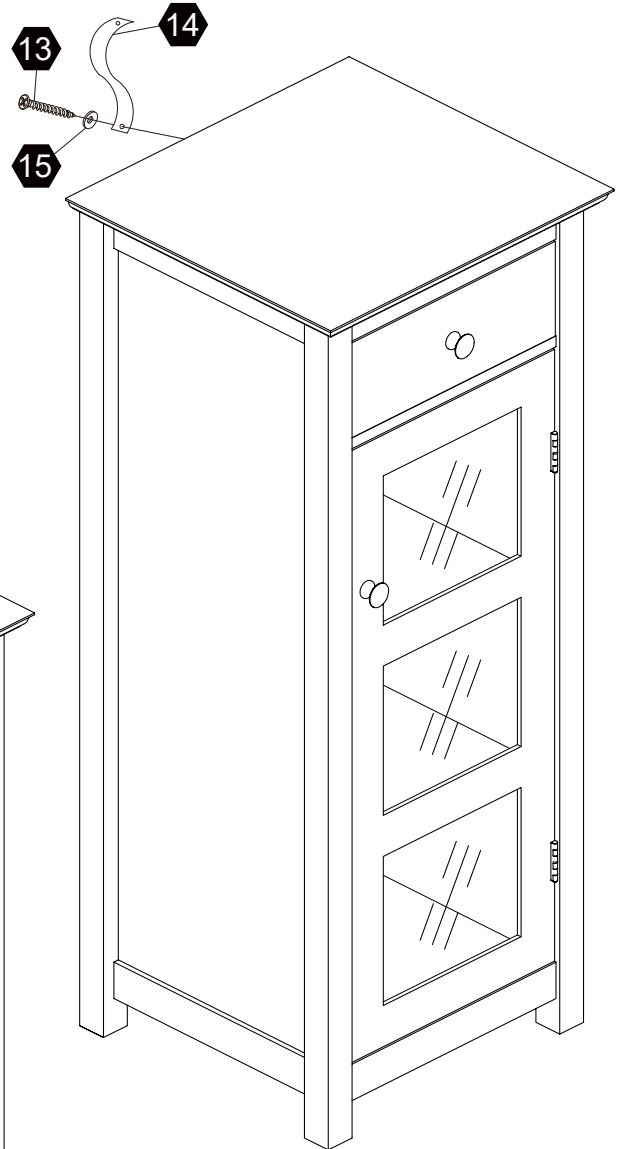
2 pcs



1 pc



2 pcs



Scan for assembly instructions.