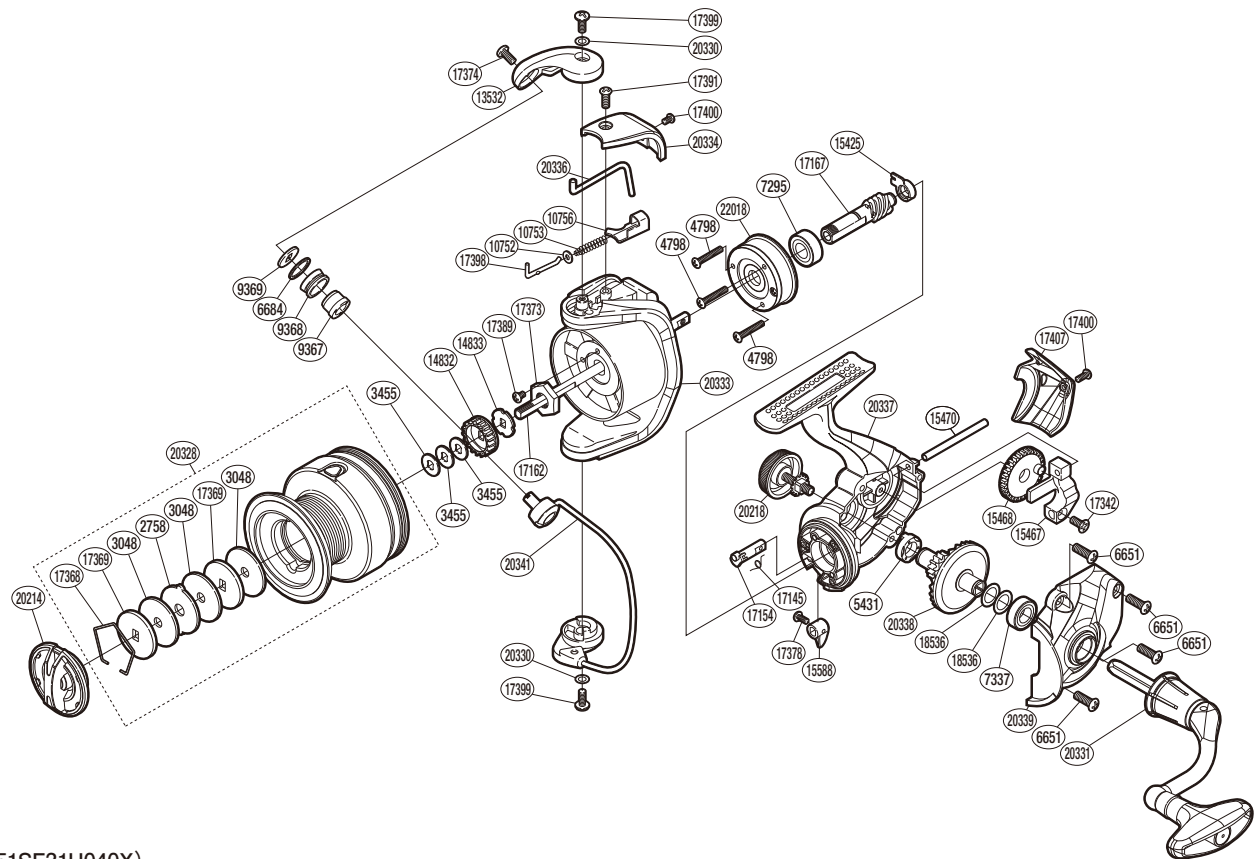


SHIMANO

FX

FX4000FC



(51SF31H040X)

#	Part No.	Description	#	Part No.	Description	#	Part No.	Description
2758	102XT	Eared Washer	15425	1074K	Pinion Gear Bushing	17399	10LLJ	Screw
3048	1031C	Drag Washer	15467	10G7E	Oscillating Slider	17400	10L1S	Screw
3455	10BXN	Spool Washer	15468	10G9L	Oscillating Gear	17407	10NKM	Rear Protector
4798	103C6	Screw	15470	1035B	Oscillating Guide	18536	1003B	Washer
5431	10GMX	Drive Gear Bushing	15588	10AP0	Anti-Reverse Lever	20214	10RT0	Drag Knob Assembly
6651	10L9P	Screw	17145	105B4	Anti-Reverse Cam Spring	20218	10RSW	Handle Screw Cap
6684	10KFD	Line Roller Spacer	17154	1053S	Anti-Reverse Cam	20328	10TAC	Spool Assembly
7295	107FC	Ball Bearing	17162	103NU	Main Shaft	20330	101VQ	Washer
7337	107AR	Ball Bearing	17167	10C56	Pinion Gear	20331	10TA6	Handle Assembly
9367	10PFE	Line Roller Bushing	17342	10ML7	Screw	20333	10T92	Rotor
9368	10JLF	Line Roller	17368	10MZM	Drag Washer Retainer	20334	10T9J	Bail Spring Cover
9369	10PFP	Line Roller Washer	17369	10N23	Key Washer	20336	100PR	Bail Trip Lever
10752	10TYE	Bail Spring Guide A Collar	17373	10817	Rotor Nut	20337	100PQ	Body Assembly
10753	10FVD	Bail Spring	17374	10K90	Screw	20338	100JJ	Drive Gear
10756	10HEB	Bail Spring Sheet	17378	10L1R	Screw	20339	100JK	Side Cover
13532	10JEY	Bail Arm	17389	10LHN	Screw	20341	101L0	Bail Assembly
14832	103MU	Spool Support A	17391	10LFK	Screw	22018	10QY9	Roller Clutch Assembly
14833	10J04	Spool Support B	17398	105LU	Bail Spring Guide A			

Please note that the number of adjusting washers may not be the same as shown in the exploded views.
(Adjustment will vary with each individual product.)

(230824)_005