

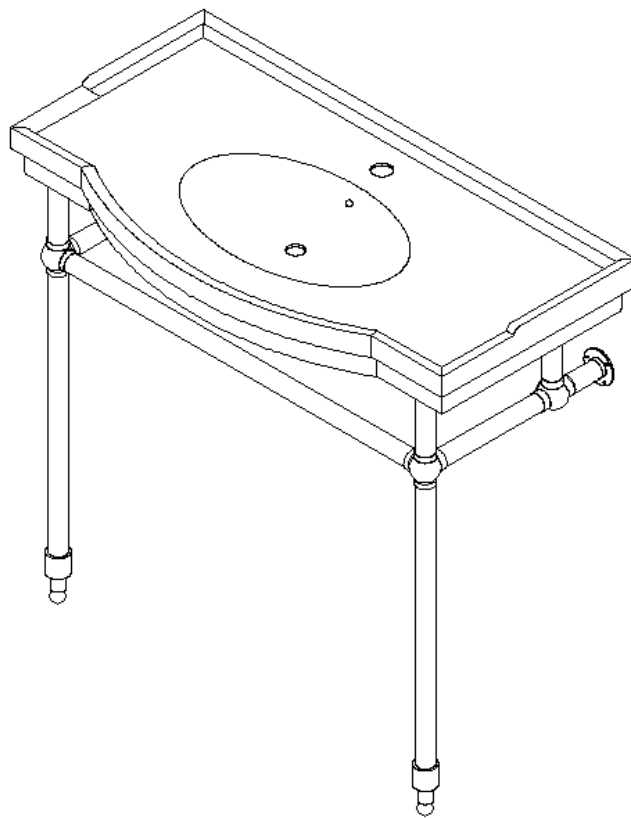
ANZZI®

Item: CS-CTRCS00WH
CS-FRKD00**

CONSOLE SINK

INSTALL & OPERATION MANUAL

V1.0



DON'T WAIT! REGISTER NOW!

Register your product within 90 days to ensure your product is recognized as an official purchase and is eligible for warranty coverage.

Mail in the completed registry card (Pg. 2) or register online at www.swcorp.com/register.



PRODUCT REGISTRATION*

IMPORTANT: YOUR WARRANTY WILL NOT BE RECOGNIZED UNLESS THIS CARD IS FULLY COMPLETED AND RETURNED OR ONLINE REGISTRATION IS COMPLETED.

To ensure that your warranty is registered and confirmed please do one of the following:

1. **Register online at www.swcorp.com/register.** You will be asked to fill out the same information you would in the registration card. Registering online is fast, secure and ensures we receive your information.
2. **Complete, cut-out and mail the registration card below.** By returning this registration card we confirm the date of purchase for your new product. This confirmation will allow us to process any warranty claims.

Mail the card to: 5701 NW 35 Avenue, Miami, FL 33142



Product Registration Card

Name..... Address

City..... State..... Zip.....

Phone Email.....

Date of Purchase

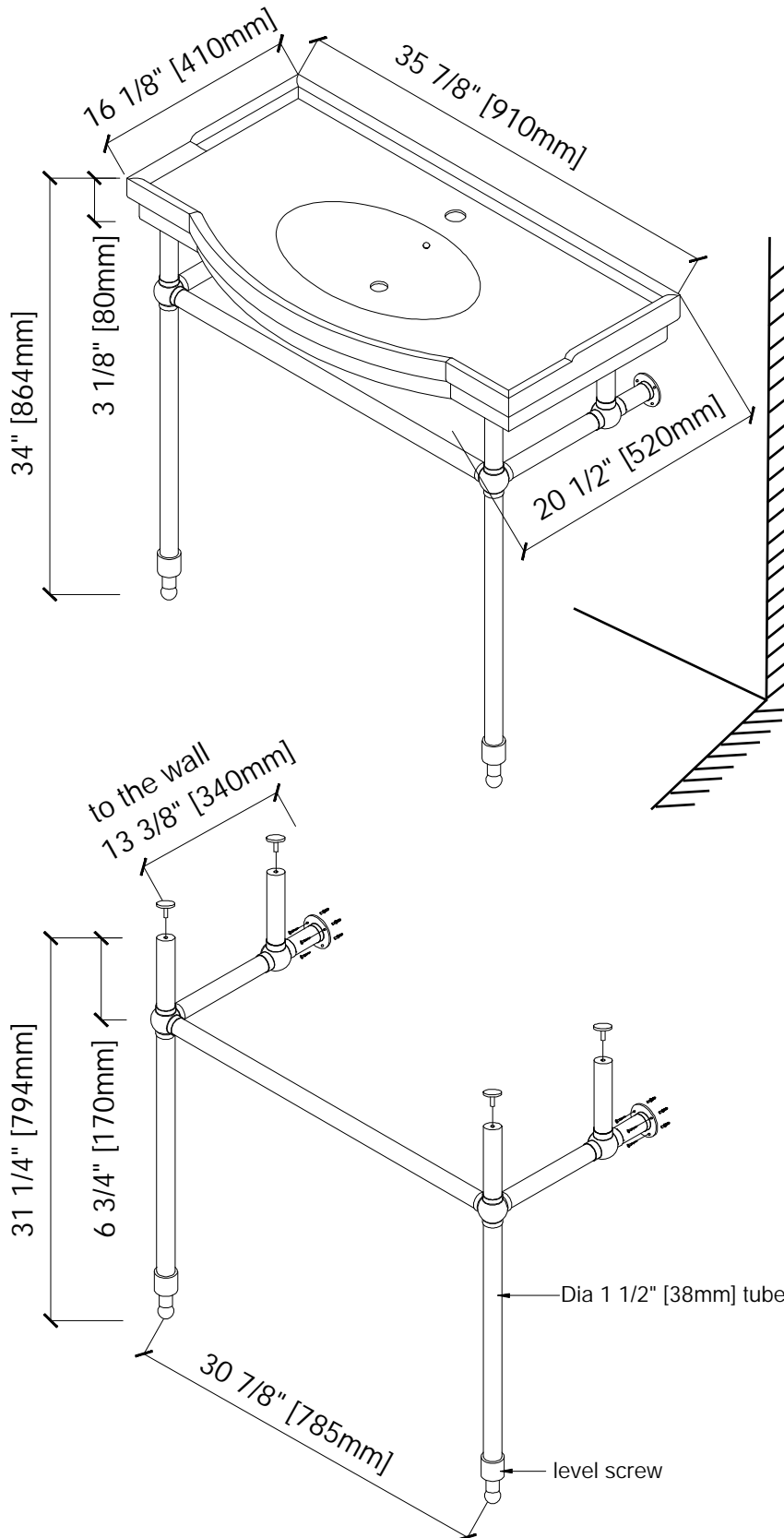
Installer's Name Phone

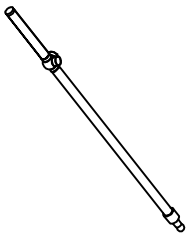
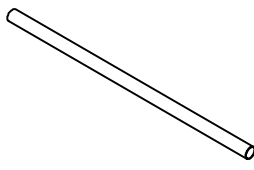
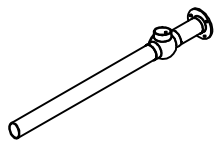


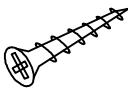

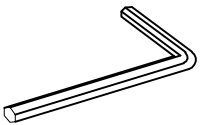
I have read the Owner's Manual carefully and understand and agree that any installation, operation or maintenance of the product must be done strictly in accordance with instructions and guidelines contained in the owner's manual and installation guide.

Signature..... Date.....

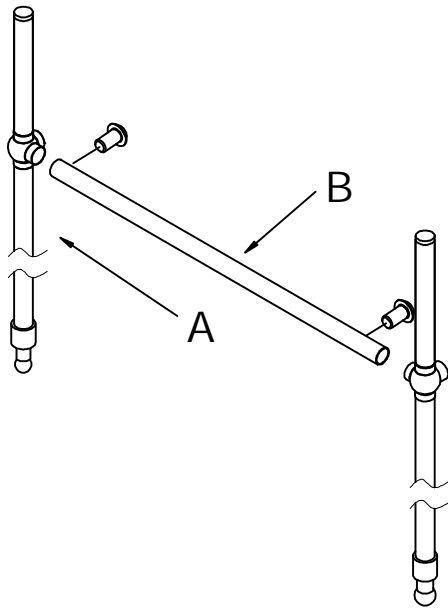
Have questions? Call us at 1-844-44-ANZZI or visit us at www.ANZZI.com

Overall Dimensions	35 7/8"Lx20"Wx34"H
Basin Dimensions	19 11/16"Lx12"W
Water Depth	5 11/16"
Drain Hole	1 3/4"
Faucet Type	1 3/8"(single hole)



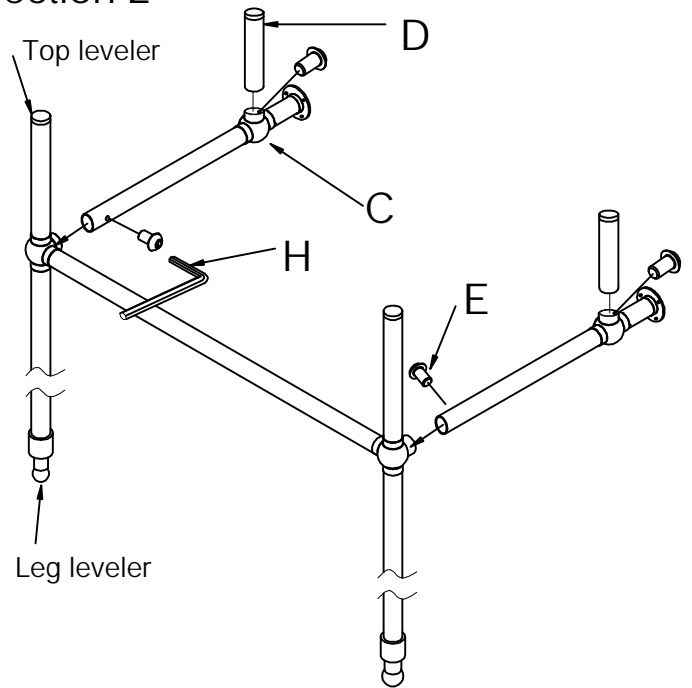
A		2pcs
B		1pcs
C		2pcs
D		2pcs
E		6pcs
F		6pcs
G		6pcs
H		1pcs

Section 1



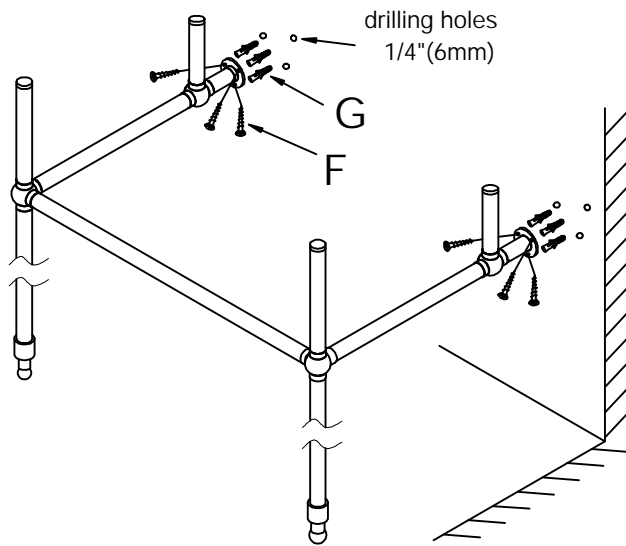
1. Connect front legs (A) and front crossbar (B).
2. Line up bolt holes where legs and crossbar connect.
3. Install the bolts but do not tighten them at this time.

Section 2



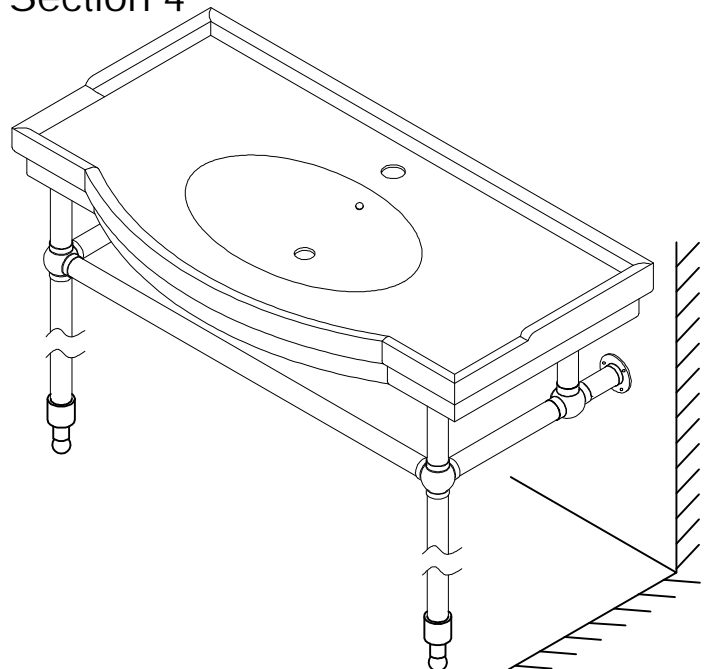
1. Connect the support bars (C) to the front legs (A).
2. Line up bolt holes where legs and support bars connect.
3. Install the bolts and tighten all bolts for all parts at this time.

Section 3



1. Place the stand upright in the desired location and level using the height adjusters built into the bottom of the legs.
2. Use a pencil and the pre-drilled holes at the end of the support bars to mark location of mounting hardware on wall.
3. Drill holes for mounting hardware in the wall.
4. Insert anchors into the holes and secure the stand to the wall with the screws.

Section 4



1. Apply a thin coat of silicone adhesive to the back of the sink where it meets the wall.
2. Apply a thin coat of silicone adhesive to the stand's top frame where the sink will rest.
3. Carefully place the sink on the top frame of the stand and center it.
4. Allow silicone adhesive to dry for 24 hours.

NOTE: Silicone adhesive and tools necessary for installation are NOT included.