

Outdoor Cylinder Wall

8313801, 8313901 | 1.2

VISUAL COMFORT & Co.

STUDIO COLLECTION

GENERAL PRODUCT INFORMATION:

These fixtures are intended to be installed utilizing NEC compliant junction boxes.

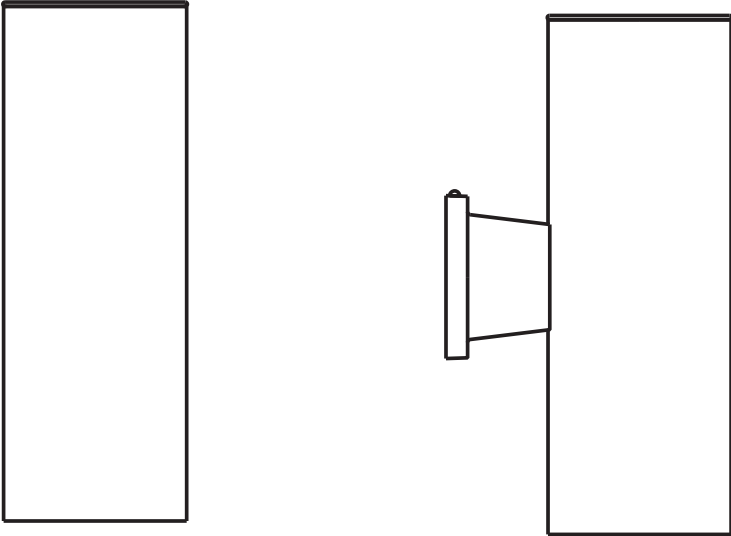
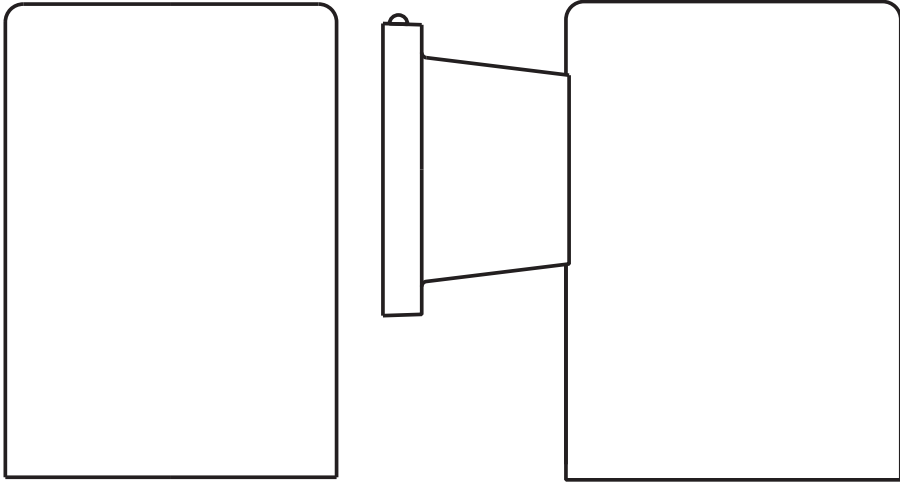
This product is safety listed for damp locations.

Incandescent version may be dimmed with a standard incandescent dimmer. LED version may be dimmed with a LED dimmer. Consult lamp manufacturer for additional information.

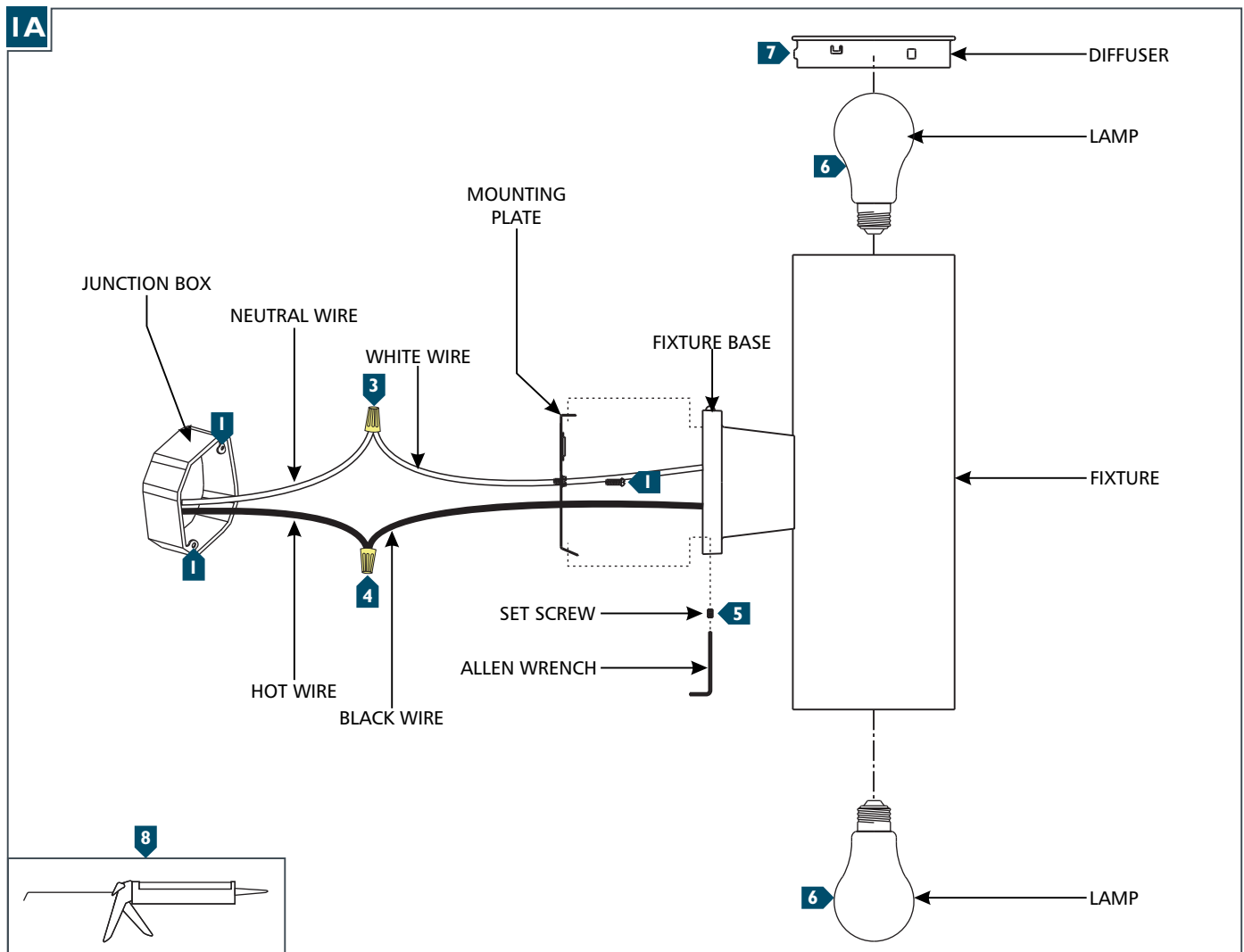
This instruction shows a typical installation.

CAUTION - RISK OF FIRE
This product must be installed in accordance with the applicable installation code by a person familiar with the construction and operation of the product and the hazards involved.
Use minimum 90°C supply conductors.

SAVE THESE INSTRUCTIONS!



Install the Fixture



- 1** Secure the mounting plate to the junction box.
- 2** Connect the fixture to a suitable ground in accordance to local electrical codes.
- 3** Connect the white fixture wire to the neutral power line wire with a wire nut.
- 4** Connect the black fixture wire to the hot power line wire with a wire nut.
- 5** Mount the fixture base onto the mounting plate and secure by installing the set screws using an Allen wrench.
- 6** Screw the lamp(s) into the socket(s). Refer to the label on the socket for Max Wattage information.
- 7** If applicable, install the diffuser by pushing it into the fixture until it snaps in place.
- 8** For wet locations, caulk around the base of the fixture with waterproof construction sealant.