

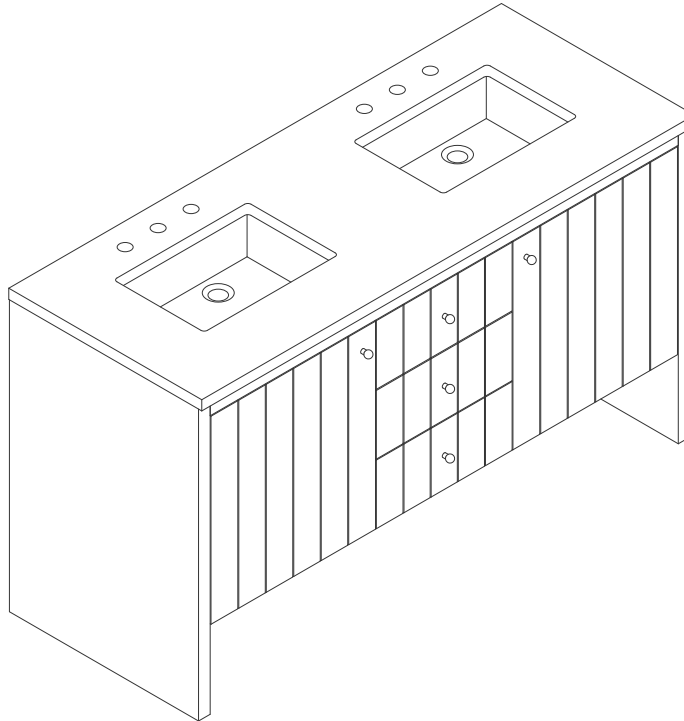
60" Double HUDSON VANITY

JAMES MARTIN
VANITIES

435-V60D-M-LNO

435-V60D-HNO

FREEPOWER COMPATIBLE



Features and Materials

Solids: (LNO) Ash, (HNO) Poplar

Veneers: (LNO) Flat Cut Ash

Panels: Plywood

Installation Type: Floor Standing

Number of Basins: Two, with Optional 3cm Top

Vanity Top Included: No, Optional 3cm Tops Available with Sinks

Basins Included: No

Overflow: Yes, Front Facing

Number of Doors: Two

Number of Drawers: Four

USB/Power Component: Yes (ETL5011080)

Assembly Type: Installation of Optional 3cm Top with Sink

Bamboo Storage Tray: One

Drawer Box Material and Construction: 12mm Plywood/English

Dovetail Joinery Hardware Material and Finish: Zinc Alloy in

Champagne Brass

Fits Drain Hole Size: 1 3/4"

Full Extension, Soft Close Glides

European Soft Close Hinges

Aluminum Laminate Drawer Liners

Adjustable Levelers

Dimension

Width: 59-7/8"

Depth: 23-1/8"

Height: 33"

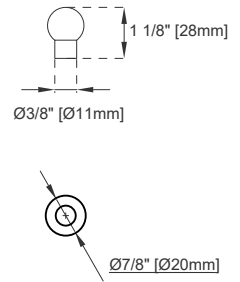
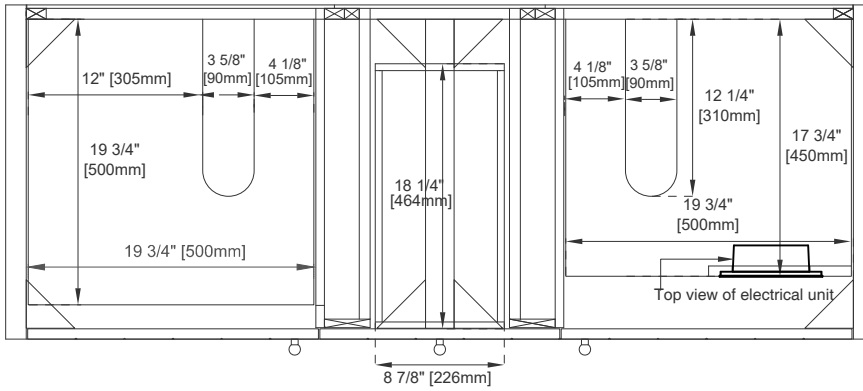
Rough-In Height: 21-1/2"

60" Double HUDSON VANITY

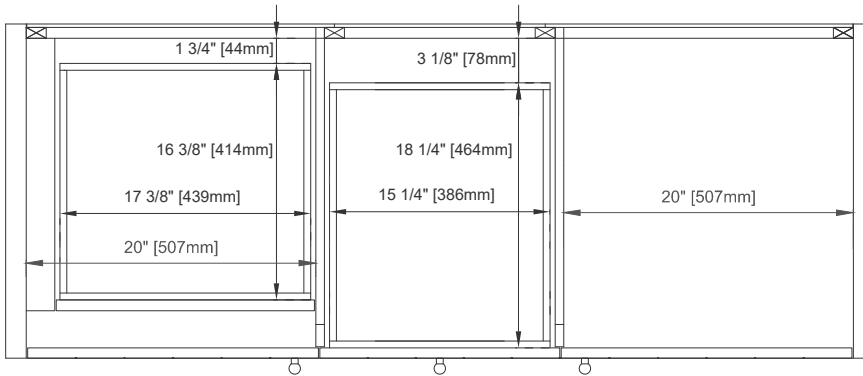
JAMES MARTIN VANITIES

435-V60D-M-LNO

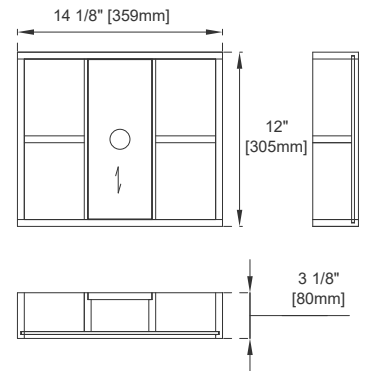
435-V60D-HNO



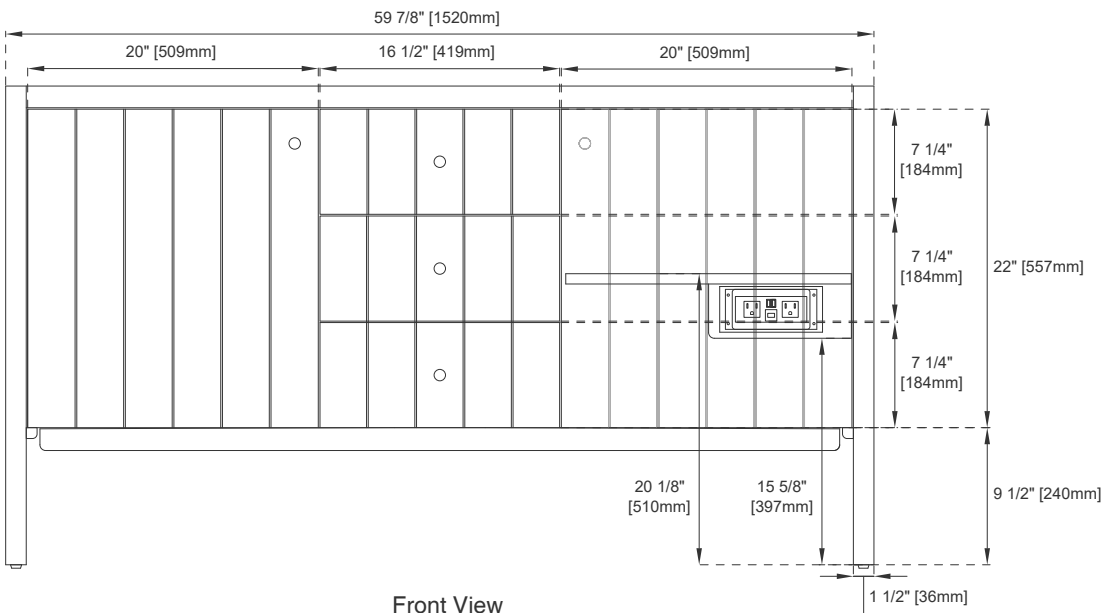
Knob



Top View



Bamboo Drawer Organizer



Front View

All dimensions are nominal

Diagrams are of cabinet only—James Martin Optional Countertops and sinks are not shown

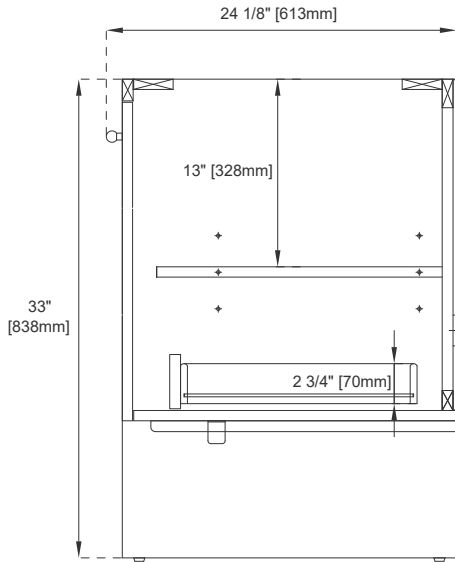
Visit website for warranty and installation information
www.jamesmartinvanities.com

60" Double HUDSON VANITY

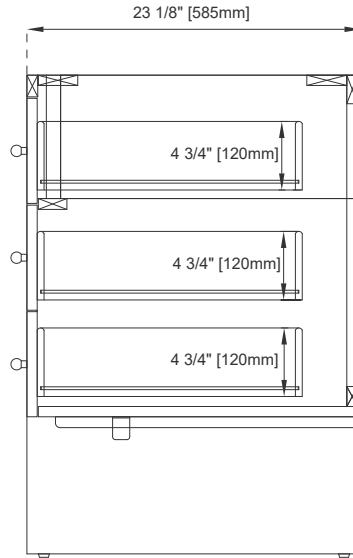
JAMES MARTIN VANITIES

435-V60D-M-LNO

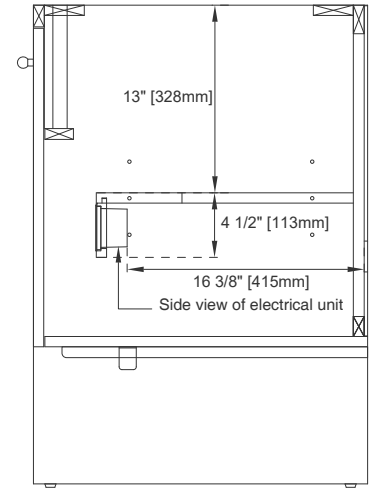
435-V60D-HNO



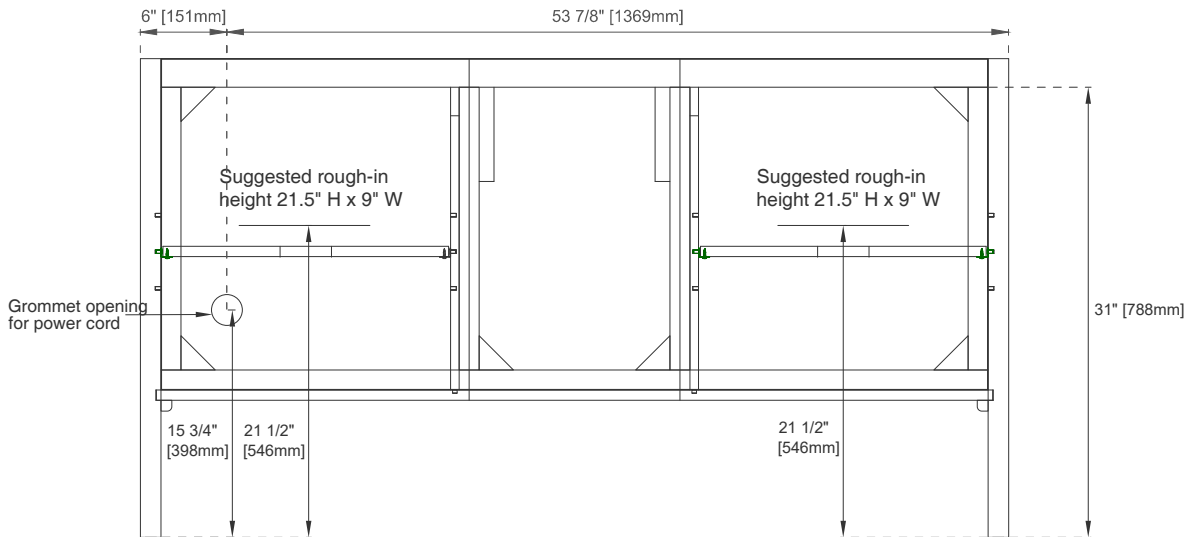
Side View



Side View



Side View



Back View

All dimensions are nominal

Diagrams are of cabinet only—James Martin Optional Countertops and sinks are not shown

Visit website for warranty and installation information
www.jamesmartinvanities.com