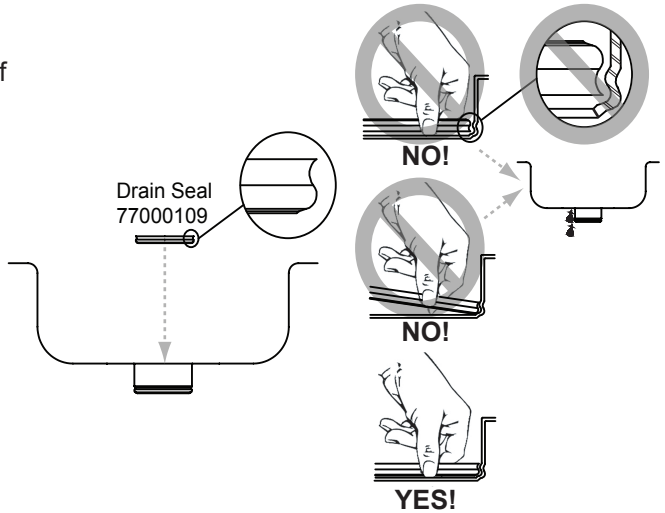


For all non-disposer installations in stainless steel Perfect Drain™ sinks.

## STEP 1

Install and properly seat **Drain Seal** within groove of **Flange** of Perfect Drain™. Incorrect installation may allow leaks and void the warranty!

**NO additional Sealant or Plumber's Putty is required.**



## STEP 2

Properly seat **Drain Body** into Perfect Drain.

Place **Gasket** over Perfect Drain™.

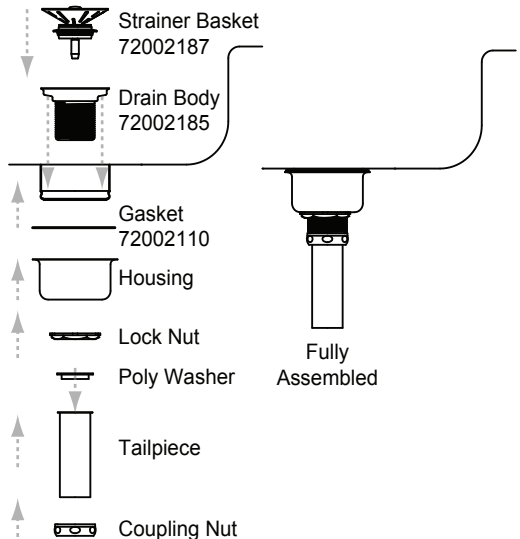
Install **Housing** over Perfect Drain™.

Thread **Lock Nut** onto **Drain Body**.

Place **Poly Washer** on **Tailpiece**.

Install **Tailpiece Assembly** onto **Drain Body** with **Coupling Nut**.

Check for leaks and place **Strainer Basket** into **Drain Body**.



**BE CAREFUL TO NOT OVER TIGHTEN THE FITTINGS.**

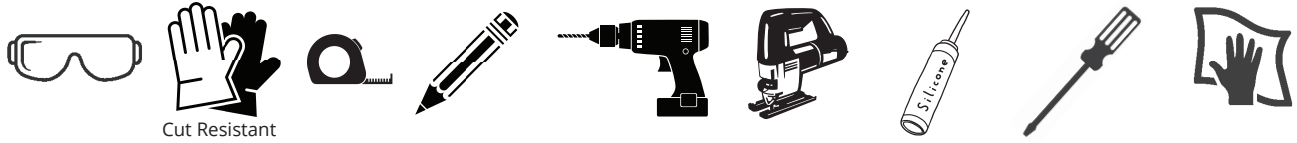
In keeping with our policy of continuing product improvement, Elkay reserves the right to change product specifications without notice. Please visit [elkay.com](http://elkay.com) for most current version of Elkay product specification sheets.

This specification describes an Elkay product with design, quality, and functional benefits to the user. When making a comparison of others producers offerings, be certain these features are not overlooked.

## Attention Installer:

- Elkay recommends that drop-in sinks be installed by a professional, experienced installer.
- Elkay is not responsible for the sink or countertop if damaged during installation.
- Metal edges may be sharp. Use caution when handling.
- Follow all local plumbing and building codes.
- Inspect sink for damage prior to beginning installation.

## Required Tools (not included)



Cut Resistant

## Installation

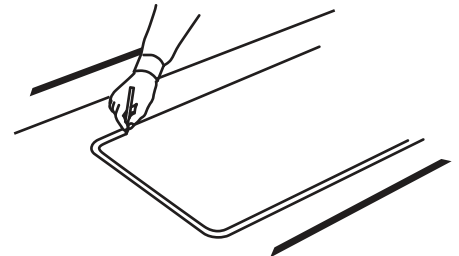
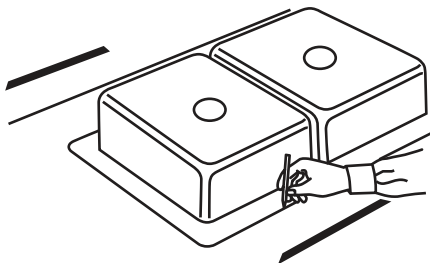


**WARNING:** Always wear safety goggles and gloves when using power tools or handling the sink to prevent personal injury.

- 1** Position the sink upside down on the countertop.

Trace a line around the edge of the sink.

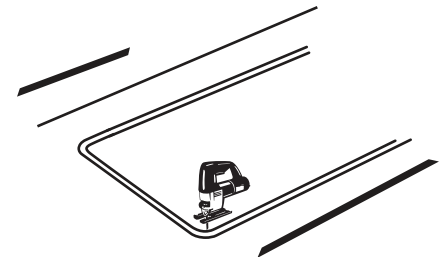
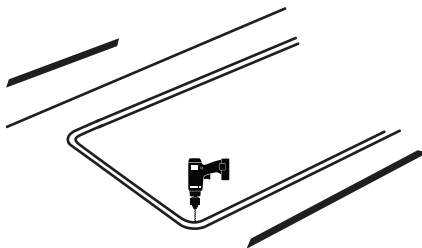
Draw a line 5/16" inside of the outline of the sink.



- 2** Drill a pilot hole in all four corners of the inside line.

Use a saber or jig saw to cut on the inside line.

Place a support underneath the cutout portion of the countertop to prevent it from falling during cutting.



- 3** Apply silicone caulk (not included) around the cutout in the countertop surface.

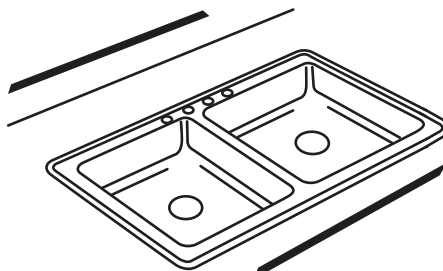
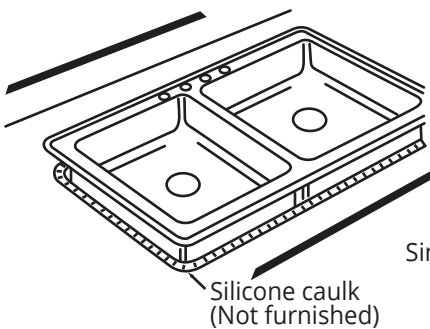
Carefully lower the sink into the cutout.

Assemble the clips and screws.

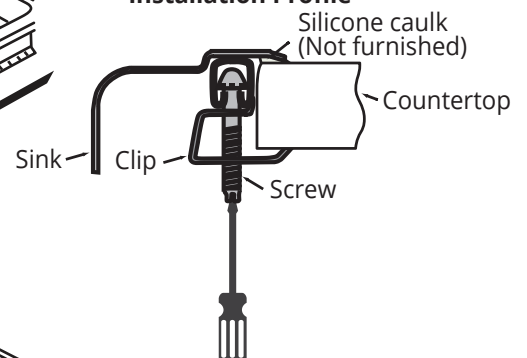
From the underside, place a clip in the center along each side and hand tighten to hold sink in place. Fasten the remaining clips along the edges and space them approximately 3" from each end, and equally along the front, back, and sides. For countertops thicker than 3/4", clips can be spaced as close as 1-1/2".

From the top, check the seal between the sink edge and countertop. Lightly tighten clips evenly with a screwdriver until the sink is tight to the countertop. Do not over tighten.

Wipe away any excess caulk with a rag.



### Installation Profile



# Stainless Steel Perfect Drain™ InSinkErator® Disposer Installation Instructions

**in sink erator®**

Elkay® Perfect Drain™ sinks are designed and approved for compatible disposers manufactured by InSinkErator® utilizing the Quick Lock® mounting configuration.

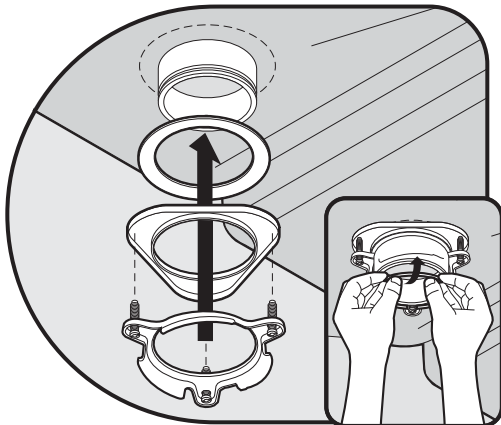
Use of non-approved disposers may void Elkay warranty.

InSinkErator, Quick Lock and the mounting collar configuration are trademarks of Emerson Electric Co.



## To install garbage disposer onto Elkay® Perfect Drain™ Stainless Steel Sink:

1. Locate appropriate step in disposer installation guide (provided with garbage disposer) represented by image below:



2. Disassemble Quick Lock® mounting assembly components provided with disposer (1, 2, 3, 4, 5, 6)
3. Sink Flange component (1) is not required, as it is integrated into the Perfect Drain Sink bowl.
4. Follow remaining installation steps as outlined in disposer installation guide, utilizing remaining components (2, 3, 4, 5, 6)



(1)  
Sink  
Flange



(2)  
Fiber  
Gasket



(3)  
Backup  
Flange



Install Quiet Collar®  
Sink Baffle into Flange



(4)  
Mounting  
Ring



(5)  
Screws



(6)  
Snap  
Ring

### **WARNING!**

**OVER-TIGHTENING OF MOUNTING ASSEMBLY SCREWS (5) COULD CAUSE PERMANENT DEFORMATION OF SINK. DO NOT USE POWER TOOLS TO TIGHTEN!**

For further assistance, contact  
InSinkErator® Customer Service Line  
1.800.558.5700  
or visit [www.insinkerator.com](http://www.insinkerator.com)

# Compatibility Guide: Elkay Perfect Drain® and Garbage Disposals



Sinks featuring our edgeless Perfect Drain® take function to the next level by eliminating the gap around the drain for a cleaner, more hygienic sink. The disposal models\* listed here have been tested for compatibility with Elkay® stainless steel and quartz sinks featuring Perfect Drain. Use this reference guide to help select a garbage disposal for your Elkay sink with Perfect Drain. See individual sink product listings for more information.

Disposal Brand	Model
<b>Barracuda</b>	
1/3 HP Builder Garbage Disposal	300
1/2 HP Economy Garbage Disposal	400
1/2 HP Mid Duty Garbage Disposal	500
3/4 HP Deluxe Garbage Disposal	750
<b>Evergrind</b>	
1/3 HP Garbage Disposal	E101
1/2 HP Garbage Disposal	E202
5/8 HP Garbage Disposal	E303
3/4 HP Garbage Disposal	E404
3/4 HP Garbage Disposal	E606
<b>Frigidaire</b>	
1/3 HP Waste Disposer	FFDI331DMS
1/3 HP Waste Disposer	FFDI331CMS
1/2 HP Waste Disposer	FFDI501CMS
<b>InSinkErator</b>	
1/3 HP Garbage Disposal	Badger 1
1/2 HP Garbage Disposal	Badger 5
3/4 HP Garbage Disposal	Badger 5XP
3/4 HP Garbage Disposal	Contractor 333
3/4 HP Garbage Disposal	Evolution Compact
3/4 HP Garbage Disposal	Evolution Septic Assist
3/4 HP Garbage Disposal with Cord and SinkTop Switch	Evolution Essential XRT
3/4 HP Garbage Disposal Batch Feed	Evolution Cover Control Plus
1 HP Garbage Disposal	Evolution Excel
Light Capacity Food Service Disposer	LC-50
<b>KitchenAid</b>	
1/2 HP Continuous Feed Food Waste Disposer	KCDB250G

Disposal Brand	Model
<b>KitchenAid</b>	
3/4 HP Continuous Feed Food Waste Disposer	KCDI075B
3/4 HP Continuous Feed Food Waste Disposer	KCDS075T
1 HP Batch Feed Food Waste Disposer	KBDS100T
<b>Moen</b>	
1/3 HP PRO Garbage Disposal	GXP33C
1/2 HP PRO Garbage Disposal	GXP50C
1/2 HP Garbage Disposal	GX50C
3/4 HP Garbage Disposal	GXS75C
3/4 HP Garbage Disposal	GX75C
3/4 HP Garbage Disposal	GXB75C
1 HP Garbage Disposal	GX100C
1 HP Garbage Disposal	GXL100C
<b>Mountain Plumbing Products</b>	
1/3 HP Perfect Grind	PROSELECT1
1/2 HP Perfect Grind	PROSELECT5
1/3 HP Perfect Grind Continuous Feed	MT333-3CFWD3B
1/2 HP Perfect Grind Continuous Feed	MT444-3CFWD3B
5/8 HP Perfect Grind	MT555-3CFWD3B
3/4 HP Perfect Grind	MT666-3CFWD3B
1-1/4 HP Perfect Grind	MT888-3CFWD3B
<b>Whirlpool</b>	
1/3 HP In-Sink Disposer	GC1000XE
1/2 HP In-Sink Disposer	GC2000XE
1/3 HP In-Sink Disposer	GC1000PE
1/2 HP In-Sink Disposer	GC2000PE
3/4 HP In-Sink Disposer	GC5000XE

\*Elkay does not endorse disposal models. This guide is intended to aid in the selection of disposals that are compatible with Perfect Drain to avoid damage to products and preserve product warranties.