



Thank you for purchasing Leick Furniture products.
Contact customer service for comments or concerns.

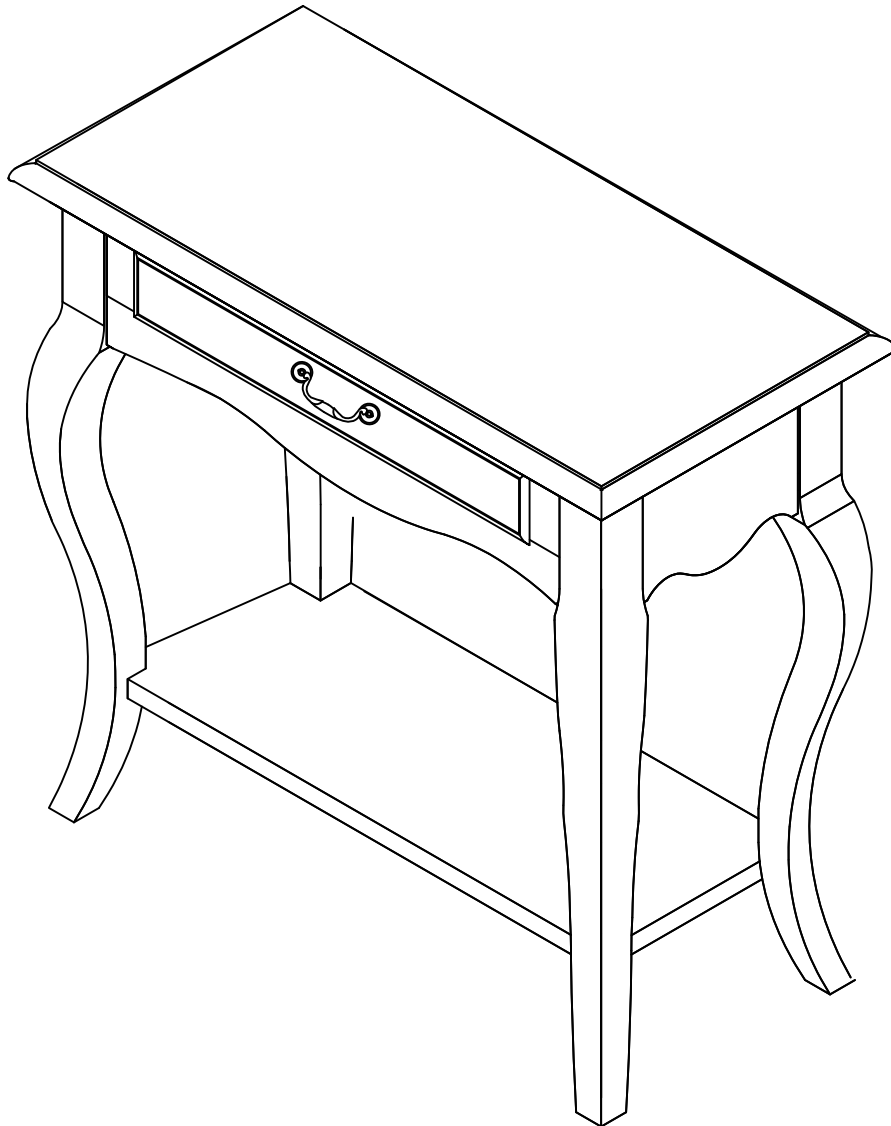
Sheboygan, WI

920-451-4060

info@leickfurnituresince1910.com

www.leickfurnituresince1910.com

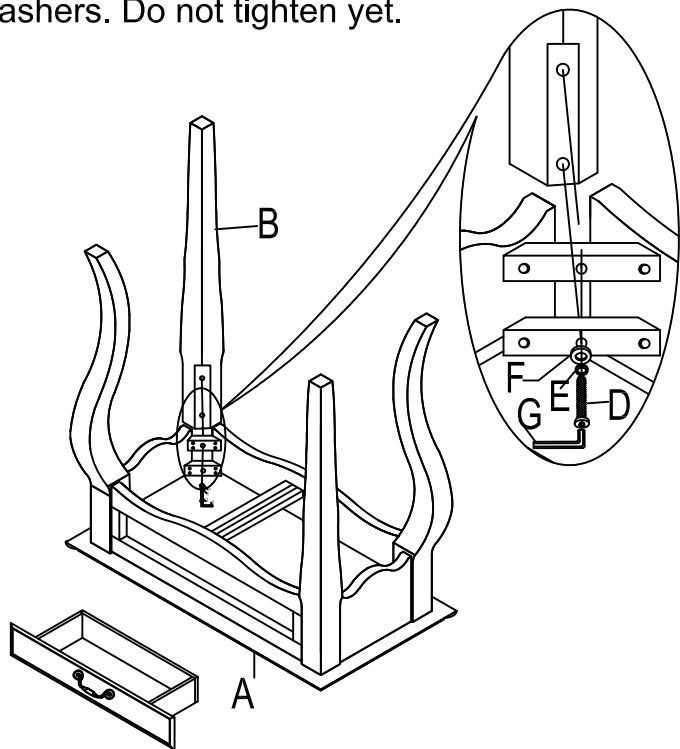
Assembly Instructions, #9022 Console Table



A: Top Assembly	
B: (4) Legs	
C: Shelf	
D: (8) Bolts	
E: (8) Lock washers	
F: (8) Flat washers	
G: Allen Wrench	
H: (4) Shelf Supports	
I : (2) Extra Drawer Glides	

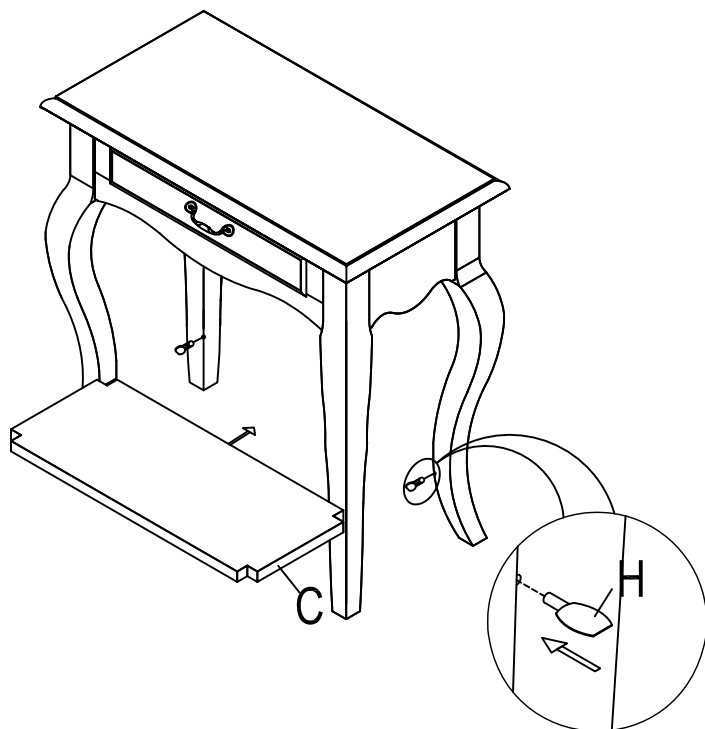
Step 1

Remove drawer and place the top assembly upside down on a soft surface. Fasten the legs with (8) bolts, flat washers and lock washers. Do not tighten yet.



Step 2

Place the table right side up and put the shelf on shelf supports.



Step 3

Now tighten the bolts in Step 1 and put the drawer back into the table.

