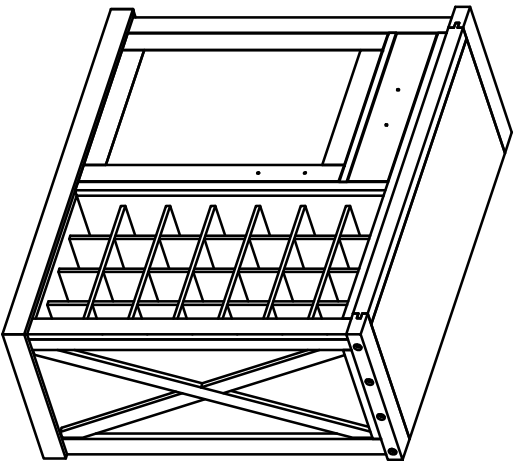


IRONSIDE WINE BAR ASSEMBLY INSTRUCTIONS

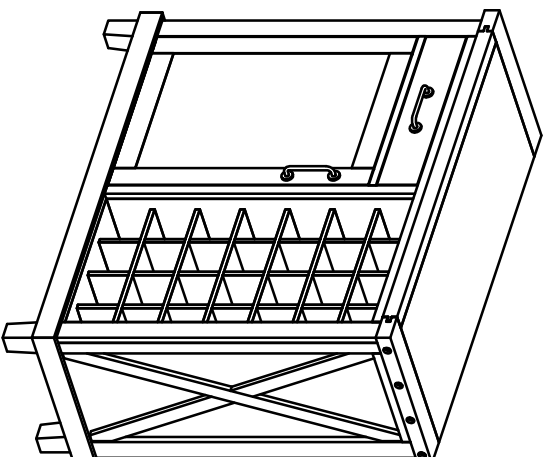
URBAN BARN

A. WINE BAR 1PC



IRONSIDE WINE BAR
ASSEMBLED

B. LEGS 4PCS



C. SUPPORT LEG 1PC



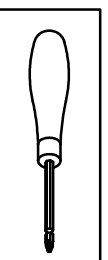
HARDWARE ARE PACKED IN BOX

1	ALLEN BOLT M6 x 50 MM	04 PCS	2	WASHER M9/22	04 PCS	3	ALLEN KEY N4	01 PC
----------	--------------------------	-----------	----------	-----------------	-----------	----------	-----------------	----------



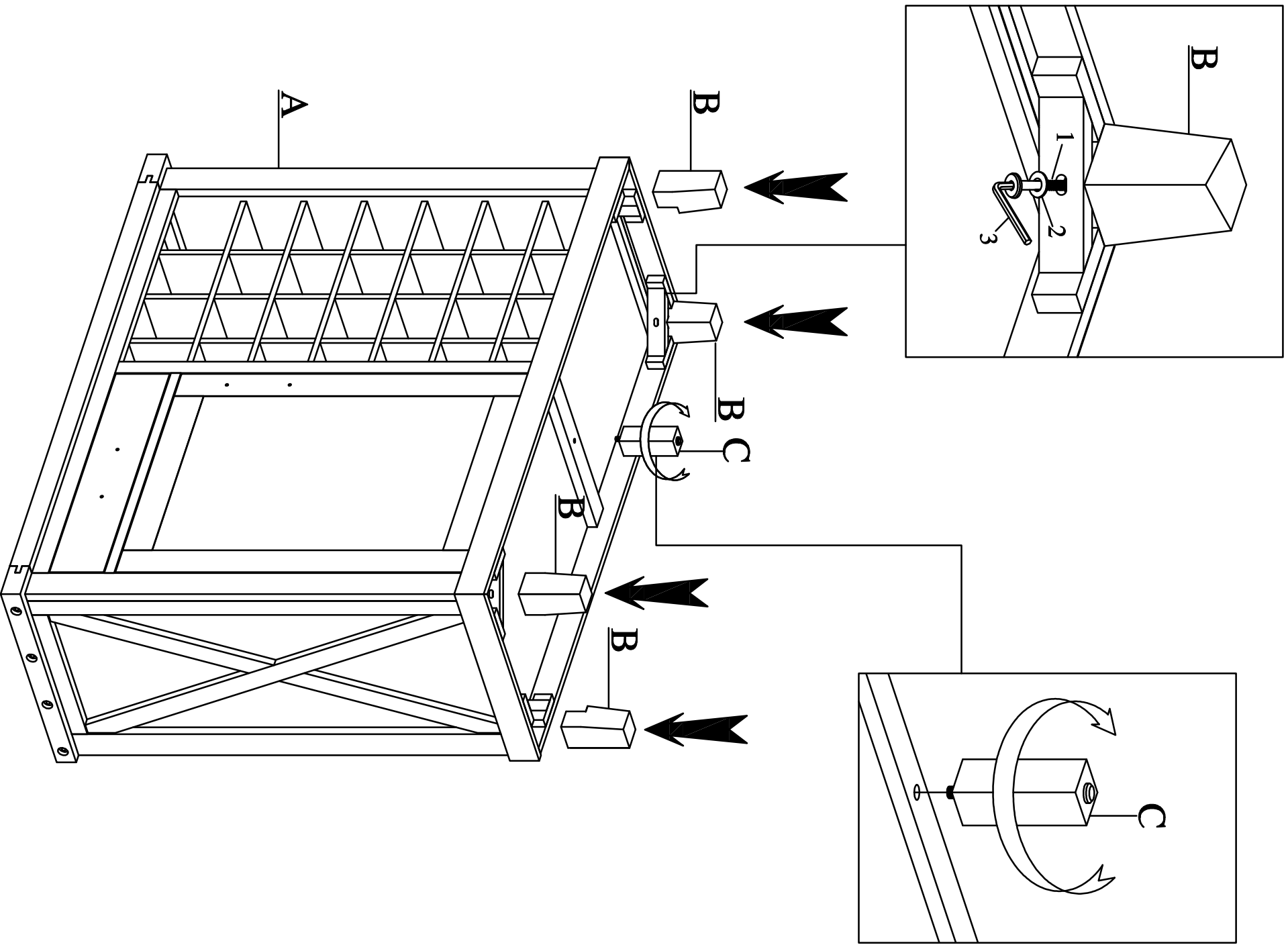
TOOL REQUIRED

PHILLIPS HEAD SCREW
DRIVER NOT PROVIDED



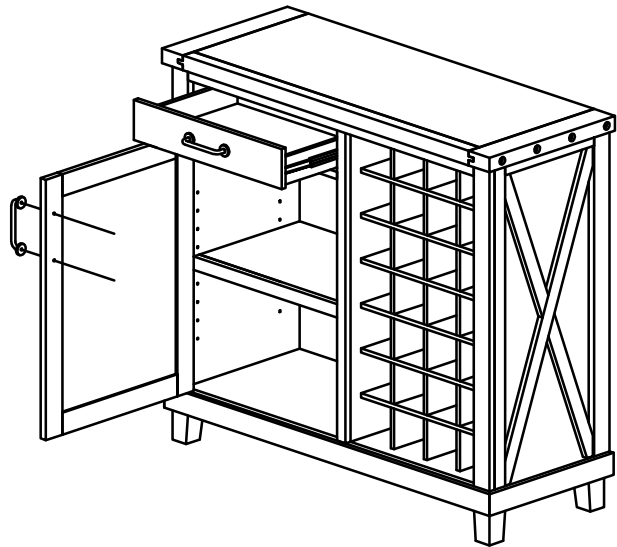
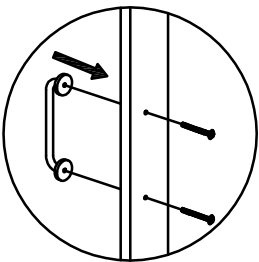
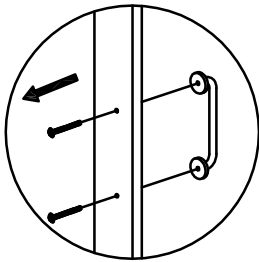
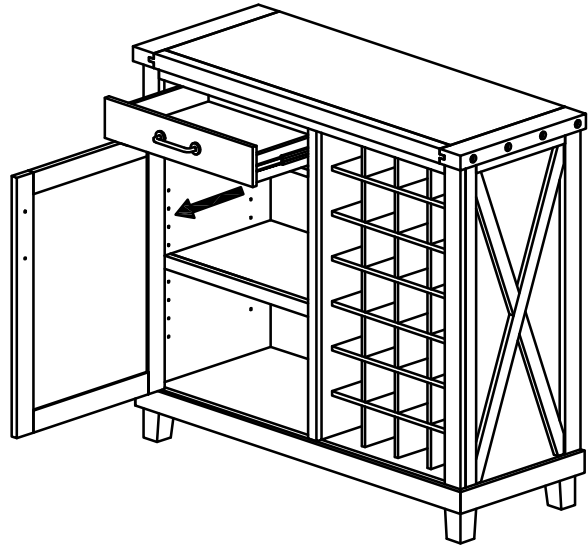
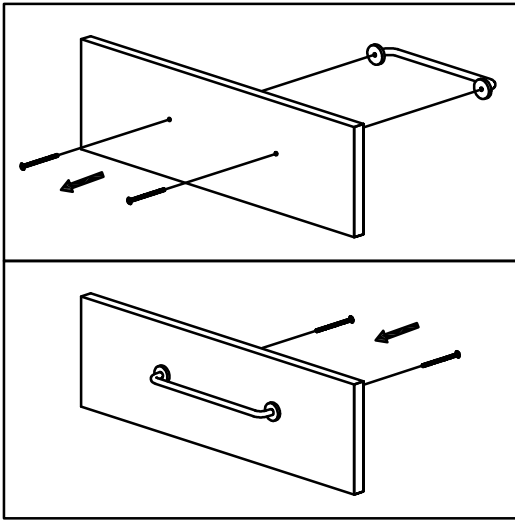
STEP 1:

FASTEN THE LEGS (B), SUPPORT LEG (C) TO THE WINE BAR (A), WITH BOLTS (1) AND WASHERS (2).



STEP 2:

PULL OUT THE STORAGE DRAWER AND CABINET DOOR, UNSCREW THE BOLTS AND REASSEMBLE WITH HANDLE FACING OUTWARDS ON THE DOOR AND DRAWER.



STEP 3:

ASSEMBLY COMPLETE.

