

PLEASE CONTACT US FIRST

Toll Free: 1-800-935-3959 (Mon.~Fri. 9:00AM to 5:00 PM EST)

✉ support@teamson.com

📞 1-631-274-3353

Thank you for choosing Teamson produce. If you need help with assembly or if you are missing parts, hardware, we are here to help!



Versanora

SKU: VNF-00047

Name: Versanora - Bloccare Coffee Table- Walnut/Black

Warning

Small parts and sharp points may be present prior to assembly.

Please follow the assembly instructions closely. Improper assembly can result in personal or property damage.













2 adults are required to safely assemble this product.

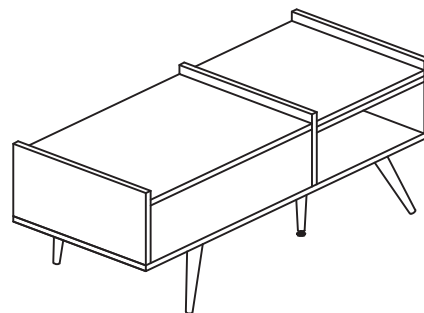
Care Instructions

Dust often using a clean, soft, dry and lint-free cloth. When blot spills, wipe with a clean, damp, cloth immediately. We do not recommend the use of chemical cleansers, abrasives or furniture polish on our lacquered finish.

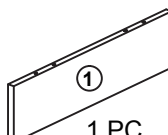
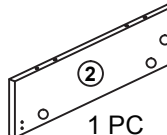
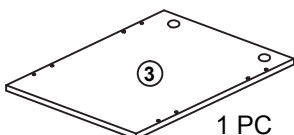
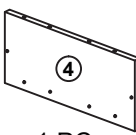
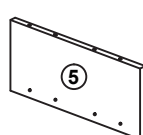
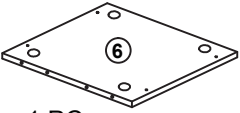
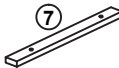
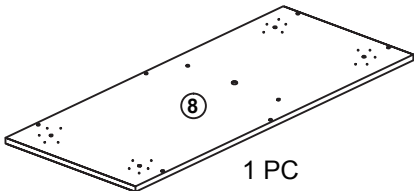
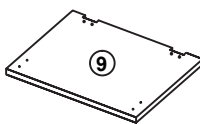


Periodically check to make sure all connections are tight. Re-tighten if necessary.

HAPDWARES:

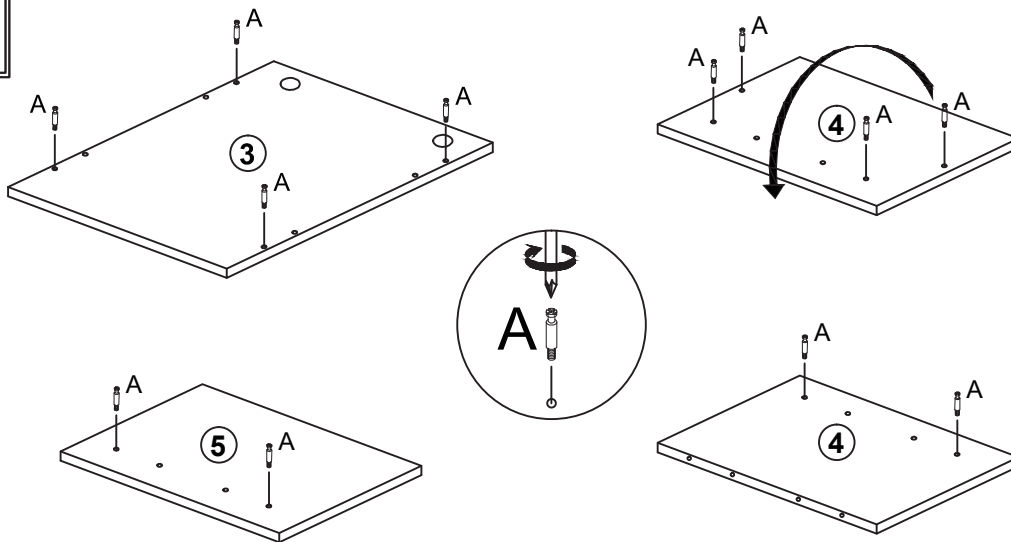
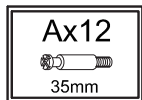
- | | | |
|---|---|--|
| (A)  12 PCS
35mm | (E)  4 PCS
Ø3.5x20mm | (I)  2 PCS |
| (B)  12 PCS
Ø15x10mm | (F)  8 PCS
Ø3.5x35mm | (J)  2 PCS |
| (C)  18 PCS
Ø6x30mm | (G)  4 PCS | (K)  2 PCS |
| (D)  20 PCS
Ø4x12mm | (H)  16 PCS
Ø3x12mm | (L)  4 PCS |



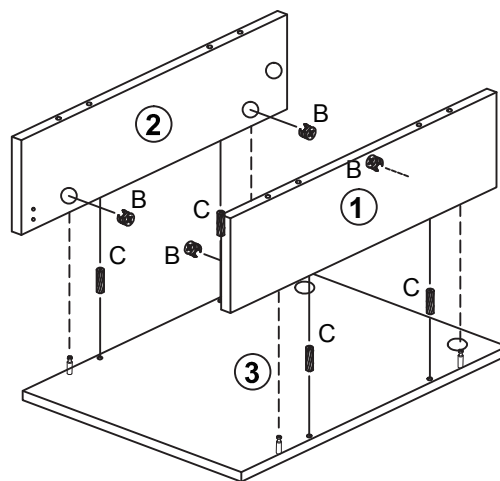
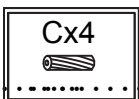
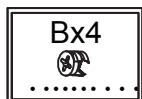
PRODUCT PARTS:

- | | | | | |
|---|---|--|---|---|
|  1 PC |  1 PC |  1 PC |  1 PC |  1 PC |
|  1 PC |  2 PCS |  1 PC |  1 PC |  4 PCS |
| | | | |  1 PC |

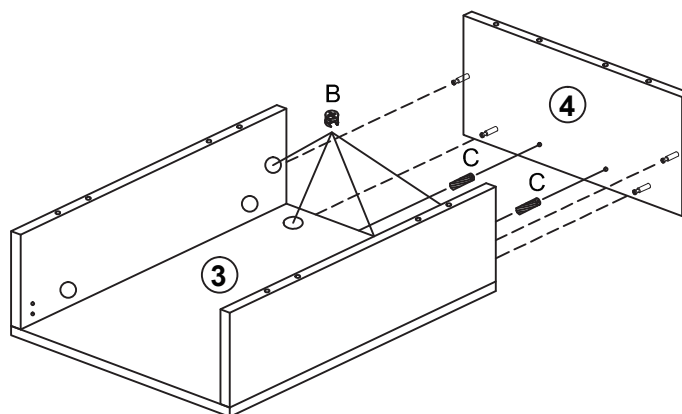
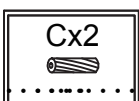
Step:1



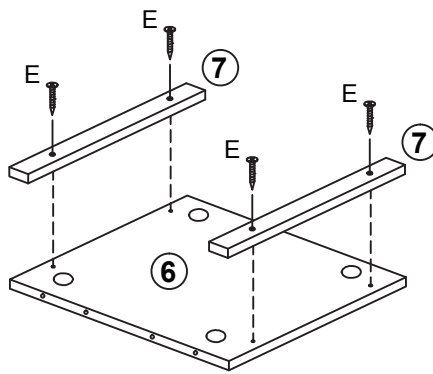
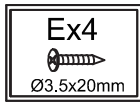
Step:2



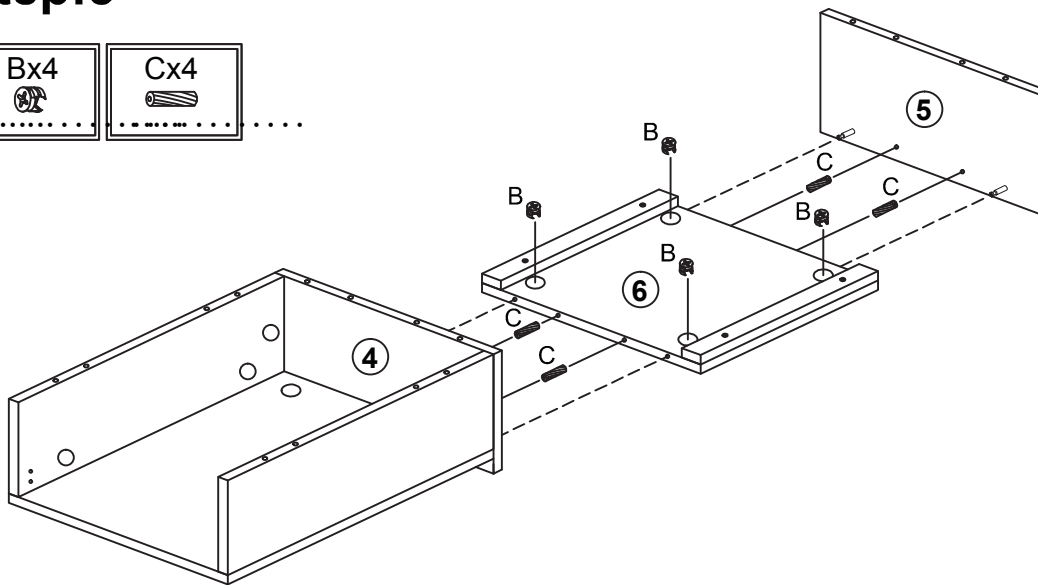
Step:3



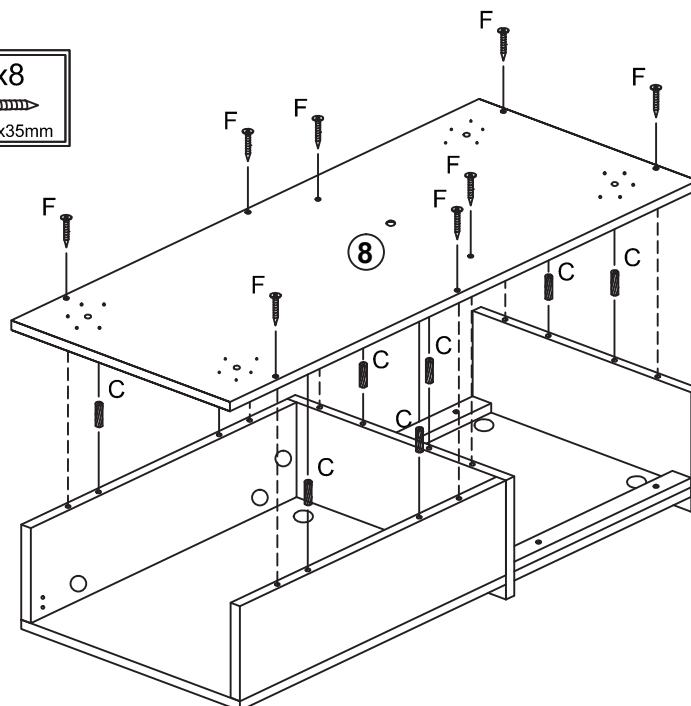
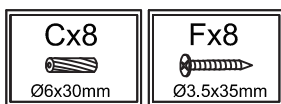
Step:4



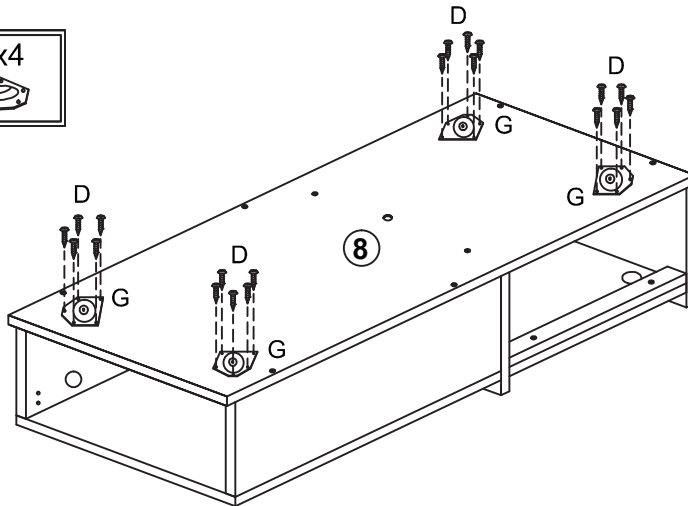
Step:5



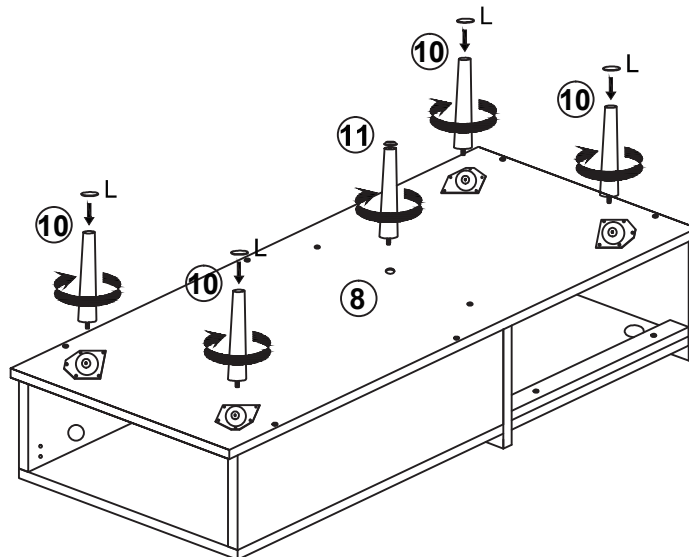
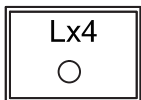
Step:6



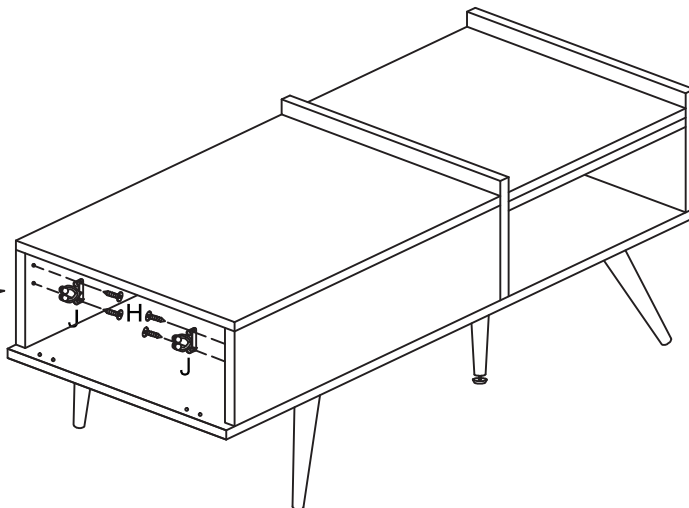
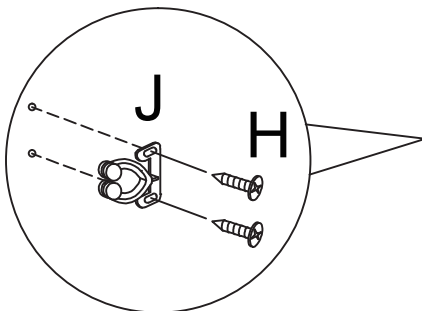
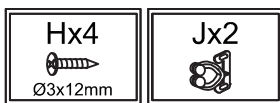
Step:7



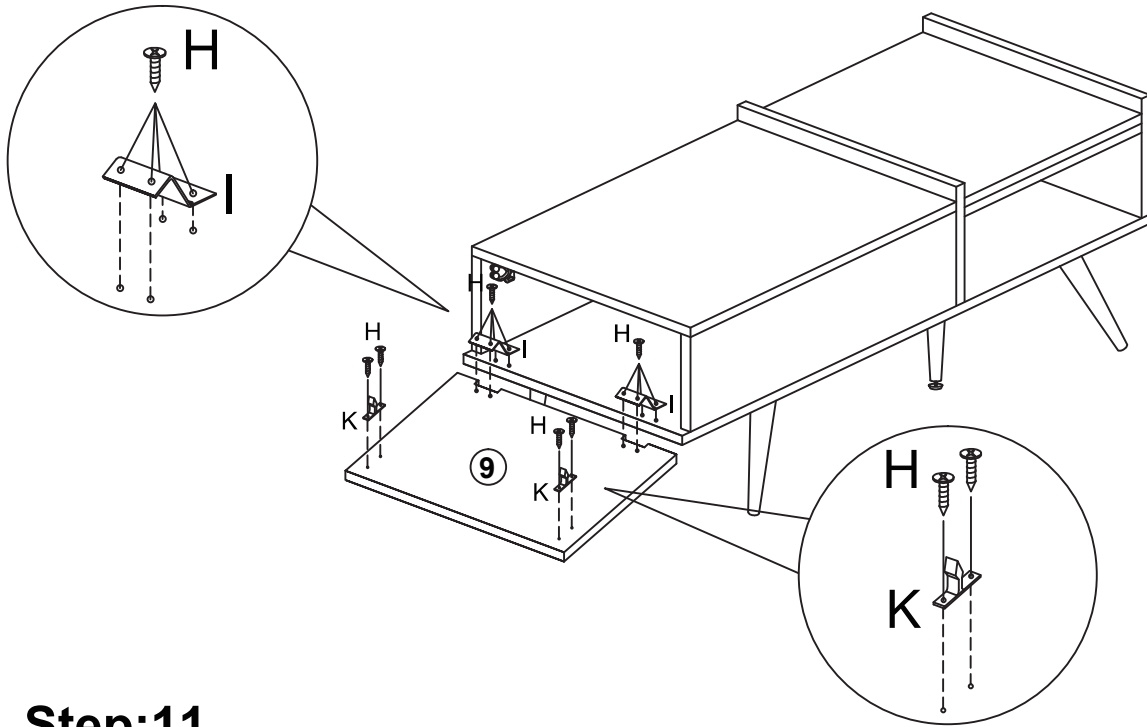
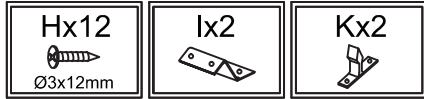
Step:8



Step:9



Step:10



Step:11

