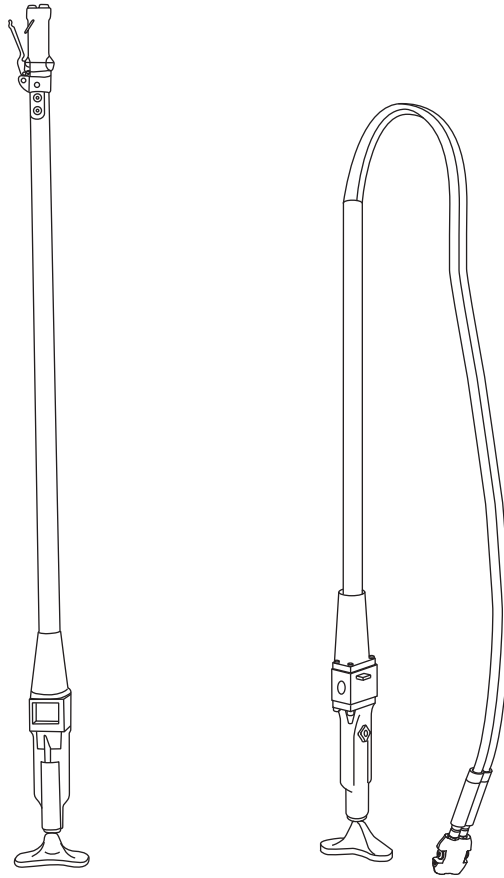


INSTRUCTION MANUAL



Español..... 13
Français..... 25

H4802 Series Pole Tamperers



Read and understand all of the instructions and safety information in this manual before operating or servicing this tool.

Register this product at www.greenlee.com

Table of Contents

Description	2
Safety	2
Purpose of this Manual	2
Other Publications	2
Important Safety Information	3-4
Identification	5
Specifications	6
Setting the Super Spool™	7
Hoses and Fittings	7
Hose Connections	8-9
Typical Setup	8-9
Setup	10
Operation	10-11
Maintenance	11
Troubleshooting	12
Español	13-24
Français	25-36
Illustrations and Parts Lists	37-40

Description

Greenlee Pole Tampers operate with either open-center or closed-center hydraulic systems and are intended for setting poles, compacting asphalt, and general construction backfill tamping. Quiet, lightweight, and low-maintenance, Greenlee tampers are available in 1520 mm (60"), 1830 mm (72") and 2160 mm (85") lengths.

Models H4802 and H4802-1 include a remote control valve.

Safety

Safety is essential in the use and maintenance of Greenlee tools and equipment. This instruction manual and any markings on the tool provide information for avoiding hazards and unsafe practices related to the use of this tool. Observe all of the safety information provided.

Purpose of this Manual

This instruction manual is intended to familiarize personnel with the safe operation and maintenance procedures for the following Greenlee tools:

H4802	(42198)
H4802-1	(42199)
H4802-3	(42200)
H4802-5	(42201)
H4802-6	(42202)

Keep this manual available to all personnel.

Replacement manuals are available upon request at no charge at www.greenlee.com.

Other Publications

Tool Owners/Users

SAE Standard J1273 (Hose and Hose Assemblies):
Publication 99930323

Greenlee Authorized Service Centers

Service Manual:

H4802:	Publication 99910420
H4802-1:	Publication 99910420
H4802-3:	Publication 99910446
H4802-5:	Publication 99910446
H4802-6:	Publication 99910420

All specifications are nominal and may change as design improvements occur. Greenlee Tools, Inc. shall not be liable for damages resulting from misapplication or misuse of its products.

KEEP THIS MANUAL

IMPORTANT SAFETY INFORMATION



SAFETY ALERT SYMBOL

This symbol is used to call your attention to hazards or unsafe practices which could result in an injury or property damage. The signal word, defined below, indicates the severity of the hazard. The message after the signal word provides information for preventing or avoiding the hazard.

⚠ **DANGER**

Immediate hazards which, if not avoided, **WILL** result in severe injury or death.

⚠ **WARNING**

Hazards which, if not avoided, **COULD** result in severe injury or death.

⚠ **CAUTION**

Hazards or unsafe practices which, if not avoided, **MAY** result in injury or property damage.



⚠ **WARNING**

Read and understand all of the instructions and safety information in this manual before operating or servicing this tool.

Failure to observe this warning could result in severe injury or death.

⚠ **WARNING**



Electric shock hazard:

This tool is not insulated. When using this unit near energized electrical lines:

- Use only certified non-conductive hoses and proper personal protective equipment.
- Select and maintain the hydraulic fluid to meet the minimum dielectric standards required by your safety department.

Failure to observe this warning could result in severe injury or death.

⚠ **WARNING**



Skin injection hazard:

- Do not use hands to check for leaks.
- Do not hold hose or couplers while the hydraulic system is pressurized.
- Depressurize the hydraulic system before servicing.

Oil under pressure easily punctures skin causing serious injury, gangrene or death. If you are injured by escaping oil, seek medical attention immediately.

⚠ **WARNING**

Do not disconnect tool, hoses, or fittings while the tool is running or if the hydraulic fluid is hot. Hot hydraulic fluid can cause serious burns.

⚠ **WARNING**

Do not exceed the following hydraulic power source maximums:

- Hydraulic flow: 23 l/min (6 gpm)
- Pressure relief: 138 bar (2000 psi)
- Back pressure: 13.8 bar (200 psi)

Failure to observe this warning could result in severe injury or death.

IMPORTANT SAFETY INFORMATION

⚠ WARNING

- Do not change accessories, inspect, or clean tool when it is connected to a power source. Accidental start-up can result in serious injury.
- Maintain a firm grip on tool, using both hands at all times. Serious injury can result if an operator does not control the tool.

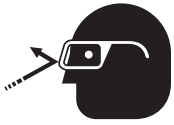
Failure to observe these warnings could result in severe injury or death.

⚠ CAUTION

Vibration hazard:

Apply just enough pressure to do the work. Applying excess pressure to the tamper can cause operator discomfort or temporary numbness.

⚠ WARNING



Wear eye protection when operating or servicing this tool.

Failure to wear eye protection could result in serious eye injury from flying debris or hydraulic oil.

⚠ CAUTION

- Inspect the hydraulic hoses and couplings every operating day. Repair or replace if leakage, cracking, wear, or damage is evident. Damaged hoses or couplings can fail, resulting in injury or property damage.
- Use this tool for manufacturer's intended use only. Use other than that which is described in this manual could result in injury or property damage.
- Make sure all bystanders are clear of the work area when handling, starting, and operating the tool. Nearby personnel can be injured by flying parts in the event of a tool malfunction.

⚠ WARNING



Wear foot protection when using this tool.

Failure to observe this warning could result in serious injury.

⚠ CAUTION

Hydraulic oil can cause skin irritation.

- Handle the tool and hoses with care to prevent skin contact with hydraulic oil.
- In case of accidental skin contact with hydraulic oil, wash the affected area immediately to remove the oil.

Failure to observe these precautions may result in injury.

⚠ WARNING



Wear hearing protection when using this tool.

Long-term exposure to high noise levels could result in hearing damage.

IMPORTANT

Procedure for connecting or disconnecting hydraulic hoses, fittings, or components:

1. Move the flow lever on the hydraulic power source to the OFF position.
2. Stop the hydraulic power source.
3. Follow the sequence under "Hose Connections" to prevent pressure buildup. In case some pressure has built up, loosen hoses, fittings, or components slowly.

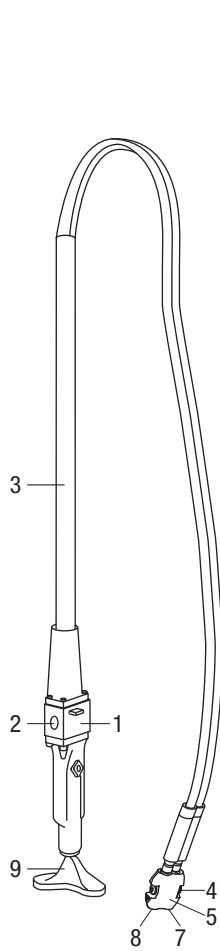
⚠ WARNING

Do not reverse hydraulic flow. Operation with hydraulic flow reversed can cause tool malfunction. Connect the supply (pressure) hose and return (tank) hose to the proper tool ports.

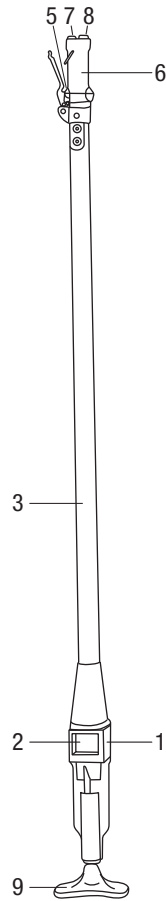
Failure to observe this warning could result in severe injury or death.

Note: Keep all decals clean and legible, and replace when necessary.

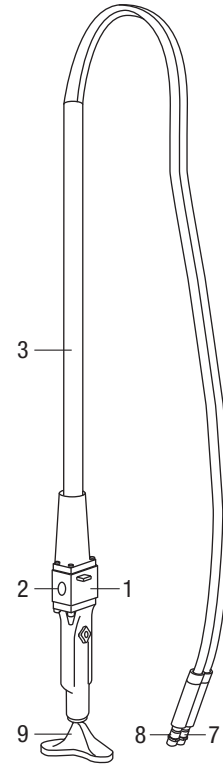
Identification



H4802 • H4802-1



H4802-3 • H4802-5



H4802-6

Pole Tampers

1. Serial Number Tag
2. Valve Body
3. Tube
4. ON/OFF Valve
5. Control Spool
6. Handle
7. Hydraulic Tank Port "T" (Return)
8. Hydraulic Pressure Port "P" (Supply)
9. Foot

Specifications

Pole Tampers

Type of Hydraulic System.....	Open-center or closed-center
Pressure Port.....	9/16–18 female SAE O-ring
Return Port.....	3/4–16 female SAE O-ring
Blows per Minute	
@ 15 l/min (4 gpm)	980
@ 19 l/min (5 gpm)	1160
@ 23 l/min (6 gpm)	1300
Noise Levels	
L _{WA} (sound power level).....	10 bels
L _{pCpeak} (peak emission sound pressure).....	103 dB
Vibration	53.75 m/s ²
Length	
H4802.....	1524 mm (60")
H4802-1	2134 mm (84")
H4802-3	1830 mm (72")
H4802-5	1520 mm (60")
H4802-6	1524 mm (60")
Width	102 mm (4")
Mass/Weight	
H4802.....	10.4 kg (23 lb)
H4802-1	12.7 kg (28 lb)
H4802-3	10.4 kg (23 lb)
H4802-5	10 kg (22 lb)
H4802-6	10.4 kg (23 lb)
Tamper Foot (kidney-shaped).....	64 mm x 203 mm (2.5" x 8")

Hydraulic Power Source

⚠ WARNING

Do not exceed the following hydraulic power source maximums:

- Hydraulic flow: 23 l/min (6 gpm)
- Pressure relief: 138 bar (2000 psi)
- Back pressure: 13.8 bar (200 psi)

Failure to observe this warning could result in severe injury or death.

Type of Hydraulic System..... Open-center or closed-center

Flow

Minimum	15 l/min (4 gpm)
Recommended.....	19 l/min (5 gpm)
Maximum	23 l/min (6 gpm)

Filtration..... 10 micron (nominal)

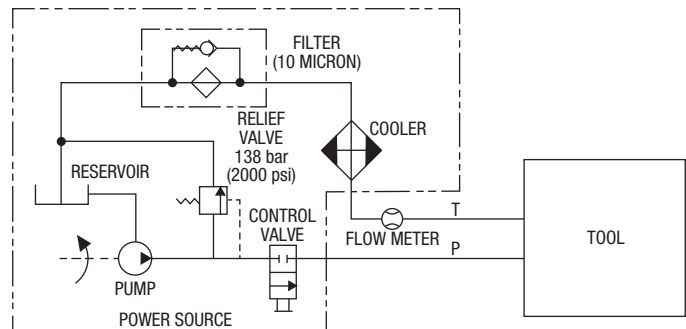
Pressure Relief Setting

Back Pressure (maximum*)

* 13.8 bar (200 psi) is the maximum agreed standard back pressure for the HTMA (Hydraulic Tool Manufacturers Association). Greenlee tools will operate satisfactorily at this standard.

1. Maximum hydraulic fluid temperature must not exceed 60 °C (140 °F). A sufficient oil cooling capacity is needed to limit the hydraulic fluid temperature.
2. Hydraulic flow must not exceed 23 l/min (6 gpm). Install a flow meter in the return line to measure the rate of hydraulic flow before using the tool.
3. Pressure relief valve setting must not exceed 138 bar (2000 psi) at your tool's maximum flow. Locate the pressure relief valve in the supply circuit to limit excessive hydraulic pressure to the tool.

Hydraulic Schematic



Recommended Hydraulic Fluids

Use any nondetergent, petroleum-based hydraulic fluid which meets the following specifications or HTMA specifications.

S.U.S. @

38 °C (100 °F).....	140 to 225
99 °C (210 °F).....	40 minimum

Flash Point..... 170 °C (340 °F) minimum

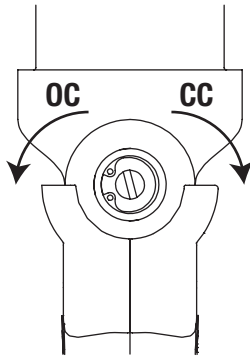
Pour Point..... -34 °C (-30 °F) minimum

Setting the Super Spool™

H4802-3 and H4802-5 Only

The Super Spool allows the tool to be used with either open-center or closed-center hydraulic systems.

1. Insert a screwdriver into the spool recess.
2. If using:
 - Open-center hydraulic system, turn the Super Spool counterclockwise until it stops.
 - Closed-center hydraulic system, turn the Super Spool clockwise until it stops.



Hoses and Fittings

Installation and Maintenance

Refer to publication 99930323, SAE J1273 (Hose and Hose Assemblies).

Replacement

Refer to a Greenlee catalog or publication 99910322, Low Pressure Quick Couplers, Adapters and Hoses.

⚠ WARNING

Do not disconnect tool, hoses, or fittings while the tool is running or if the hydraulic fluid is hot. Hot hydraulic fluid can cause serious burns.

Hose Connections

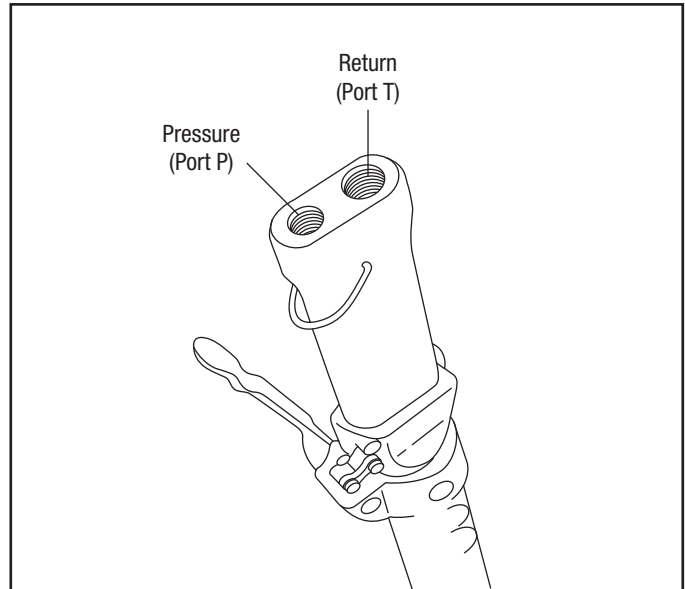
Tool Port Identification

Three methods are used to identify the pressure and return ports of Greenlee tools. Match the markings on your tool to this table.

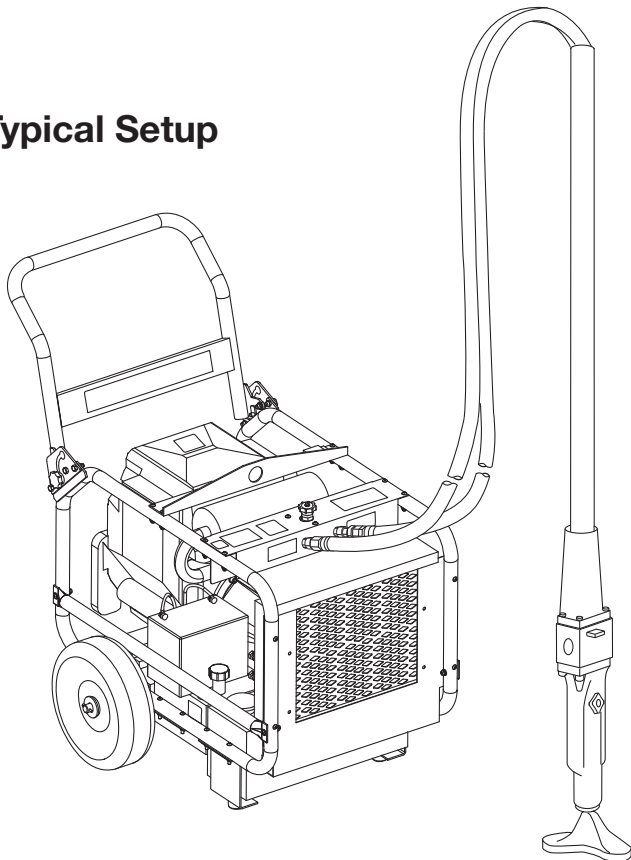
Pressure Port	Return Port
P	T
or	
In	Out
or	
9/16–18 O-ring Boss (smaller port)	3/4–16 O-ring Boss (larger port)

H4802-3 and H4802-5: Connecting Hoses

1. Move the flow lever on the power source to the OFF position.
2. Stop the hydraulic power source.
3. Connect the return hose to the return port on the power source, then to the return port on the tool.
4. Connect the pressure hose to the pressure port on the tool, then to the pressure port on the power source.



Typical Setup



Disconnecting Hoses

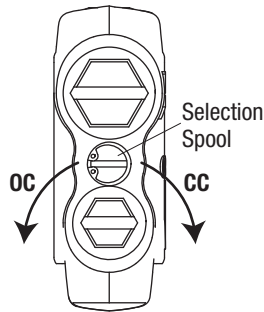
1. Move the flow lever on the power source to the OFF position.
2. Stop the hydraulic power source.
3. Disconnect the pressure hose from the power source, then from the tool.
4. Disconnect the return hose from the tool, then from the power source.
5. Install dust caps over the ports to prevent contamination.

Hose Connections (cont'd)

H4802, H4802-1, and H4802-6: Connecting Hoses

The remote valve can be used on both open-center and closed-center systems by adjusting the OC/CC selection spool.

- For open-center pump operation, use a flat head screwdriver to turn the spool counterclockwise until it backs into the snap ring.
- For closed-center operation, tighten the spool in the clockwise direction until snug.



⚠ WARNING

When connecting or disconnecting the remote valve, always ensure that the valve is in the off position and the system is depressurized.

Failure to observe this warning could result in severe injury or death.

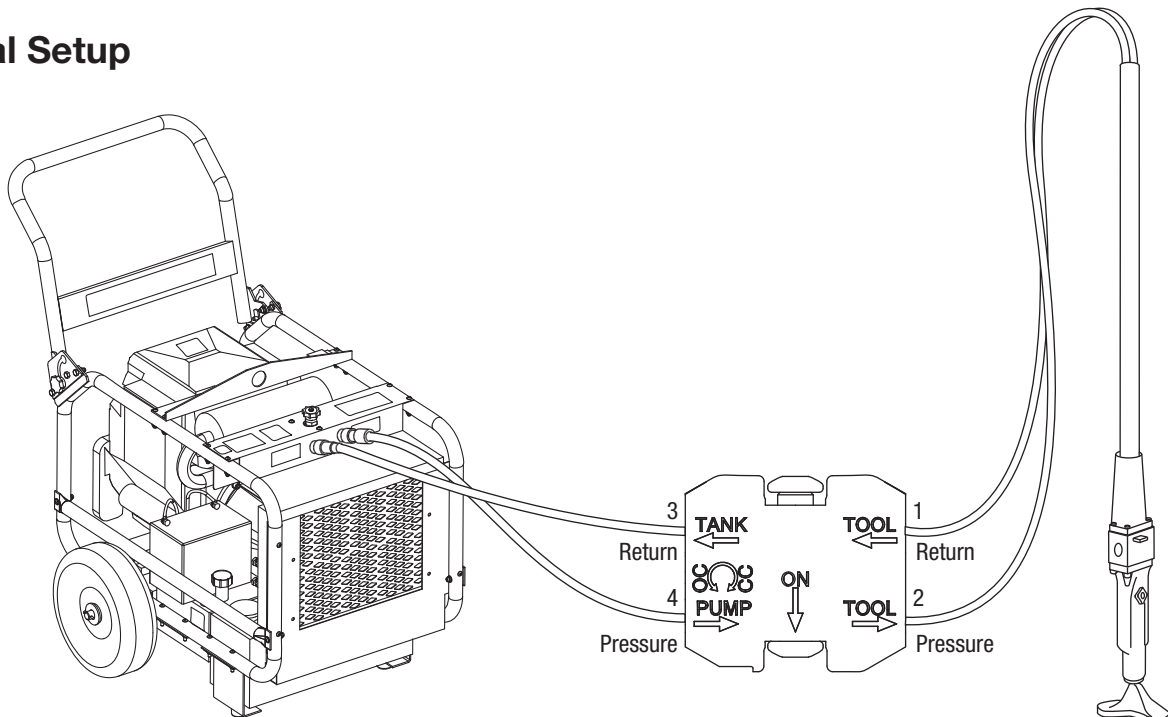
Connecting Remote Valve

When connecting the remote valve to the system, connect lines in order as numbered in the diagram below (1–2–3–4).

Disconnecting Remote Valve

When disconnecting the remote valve, remove lines in reverse order of the numbering in the diagram below (4–3–2–1).

Typical Setup



Setup

⚠ WARNING

Do not exceed the following hydraulic power source maximums:

- Hydraulic flow: 23 l/min (6 gpm)
- Pressure relief: 138 bar (2000 psi)
- Back pressure: 13.8 bar (200 psi)

Failure to observe this warning could result in severe injury or death.

⚠ WARNING

Do not reverse hydraulic flow. Operation with hydraulic flow reversed can cause tool malfunction. Connect the supply (pressure) hose and return (tank) hose to the proper tool ports.

Failure to observe this warning could result in severe injury or death.

1. Stop the power source.
H4802-3 and H4802-5 only: Set the control spool as described under “Setting the Super Spool.”
2. Connect the hoses as described under “Hose Connections.”

Operation

⚠ WARNING



Electric shock hazard:

This tool is not insulated. When using this unit near energized electrical lines:

- Use only certified non-conductive hoses and proper personal protective equipment.
- Select and maintain the hydraulic fluid to meet the minimum dielectric standards required by your safety department.

Failure to observe this warning could result in severe injury or death.

⚠ WARNING



Skin injection hazard:

- Do not use hands to check for leaks.
- Do not hold hose or couplers while the hydraulic system is pressurized.
- Depressurize the hydraulic system before servicing.

Oil under pressure easily punctures skin causing serious injury, gangrene or death. If you are injured by escaping oil, seek medical attention immediately.

⚠ WARNING

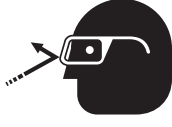
Do not disconnect tool, hoses, or fittings while the tool is running or if the hydraulic fluid is hot. Hot hydraulic fluid can cause serious burns.

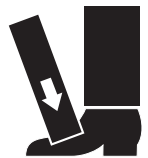
⚠ WARNING


Maintain a firm grip on tool, using both hands at all times. Serious injury can result if an operator does not control the tool.

Failure to observe this warning could result in severe injury or death.

Operation (cont'd)

	⚠ WARNING
	<p>Wear eye protection when operating or servicing this tool.</p> <p>Failure to wear eye protection could result in serious eye injury from flying debris or hydraulic oil.</p>

	⚠ WARNING
	<p>Wear foot protection when using this tool.</p> <p>Failure to observe this warning could result in serious injury.</p>

	⚠ WARNING
	<p>Wear hearing protection when using this tool.</p> <p>Long-term exposure to high noise levels could result in hearing damage.</p>

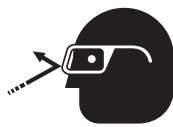
1. Start the power source.
Note: Allow the power source to run for a few minutes to warm the hydraulic fluid.
2. Set the tamper foot onto the material to be compacted.
3. Firmly grasp the tube.

⚠ CAUTION
<p>Vibration hazard:</p> <p>Apply just enough pressure to do the work. Applying excess pressure to the tamper can cause operator discomfort or temporary numbness.</p>

4. Move the control spool to ON.
5. Apply light downward pressure.
Note: Excessive pressure will have little effect on the rate of compacting, but will dramatically accelerate operator fatigue. Allow the tamper to do the work.
6. When finished tamping, move the control spool to OFF.

Maintenance

⚠ WARNING	
<p>Do not change accessories, inspect, or clean tool when it is connected to a power source. Accidental start-up can result in serious injury.</p> <p>Failure to observe this warning could result in severe injury or death.</p>	

	⚠ WARNING
	<p>Wear eye protection when operating or servicing this tool.</p> <p>Failure to wear eye protection could result in serious eye injury from flying debris or hydraulic oil.</p>

⚠ CAUTION	
<p>Hydraulic oil can cause skin irritation.</p> <ul style="list-style-type: none"> • Handle the tool and hoses with care to prevent skin contact with hydraulic oil. • In case of accidental skin contact with hydraulic oil, wash the affected area immediately to remove the oil. <p>Failure to observe these precautions may result in injury.</p>	

Use this maintenance schedule to maximize the tool's service life.

Note: Keep all decals clean and legible, and replace when necessary.

Daily

1. Wipe all tool surfaces clean.
2. Inspect the hydraulic hoses and fittings for signs of leaks, cracks, wear or damage. Replace if necessary.
3. Install dust caps over the hydraulic ports when the tool is disconnected.

Monthly

1. Perform a thorough inspection of the hydraulic hoses and fittings as described in publication 99930323, SAE J1273 (Hose and Hose Assemblies).
2. Examine the tamper foot for hairline cracks, chips, etc. Replace if damaged.

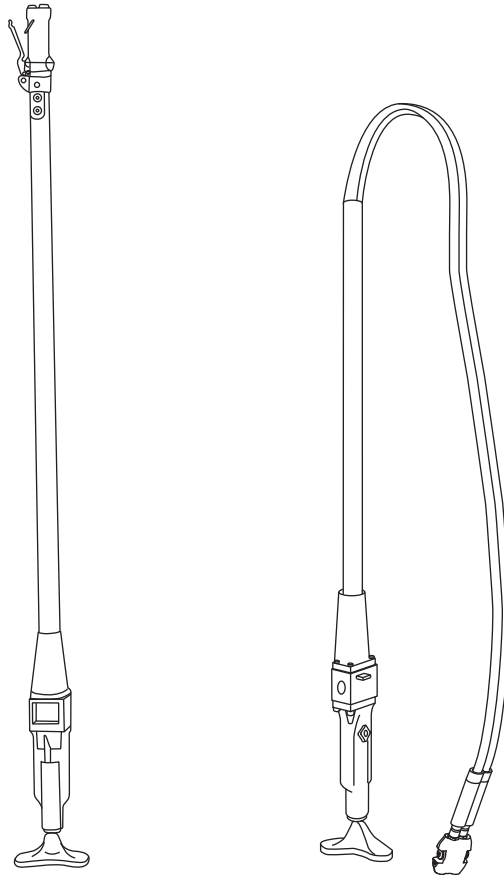
Troubleshooting

Before troubleshooting, determine whether the problem is in the tool, the hoses, or the power source. Substitute a tool, hoses, or power source known to be in good working order to identify the item that is not operating.

If the problem is in the tool, refer to the troubleshooting table below. If the problem is in the power source, refer to the troubleshooting section of the power source instruction manual.

Problem	Probable Cause	Probable Remedy
Tool does not operate.	Tool connected improperly.	Connect the tool properly. Refer to “Hose Connections” in this manual.
	Ram is at the end of the stroke, restricting the hydraulic fluid.	Drop tool on tamper foot to push flow of ram up.
	Improper power source.	Verify that the power source meets the specifications. Refer to “Specifications” in this manual.
	Hydraulic fluid level low.	Check the fluid level. Check system for leaks.
	Incorrect hydraulic fluid viscosity.	Use hydraulic fluid with the correct viscosity. Refer to “Specifications” in this manual.
Tool operates slowly or erratically.	Hydraulic fluid cold.	Allow fluid to warm to the operating temperature. Actuate the tool intermittently to reduce the warming time.
	Hydraulic fluid level low.	Check the fluid level. Check system for leaks.
	Air in the hydraulic system.	Refer to the power source manufacturer’s instructions for removing air from the system.
	Incorrect hydraulic fluid viscosity.	Use hydraulic fluid with the correct viscosity. Refer to “Specifications” in this manual.

MANUAL DE INSTRUCCIONES



Apisonadores de barra Serie H4802



Lea y entienda todas las instrucciones y la información sobre seguridad que aparecen en este manual, antes de manejar esta bomba o darle mantenimiento.

Registre este producto en www.greenlee.com

Índice

Descripción	14
Acerca de la seguridad.....	14
Propósito de este manual	14
Otras publicaciones	14
Información importante sobre seguridad	15-16
Identificación	17
Especificaciones	18
Montaje del Super Spool™	19
Mangueras y accesorios	19
Conexión de las mangueras.....	20-21
Modelo de instalación	20-21
Instalación	22
Operación.....	22-23
Mantenimiento.....	23
Solución de problemas	24
Ilustraciones y listas de piezas.....	37-40

Descripción

Los apisonadores de barra de Greenlee funcionan con sistemas hidráulicos de circuito abierto o de circuito cerrado, y están destinados para la instalación de postes eléctricos, compactación de asfalto y compactación de rellenos de construcción en general. Silenciosos, livianos y de poco mantenimiento, los apisonadores de Greenlee están disponibles en longitudes de 1520 mm (60 pulg.), 1830 mm (72 pulg.) y 2160 mm (85 pulg.)

Los modelos H4802 y H4802-1 incluyen una válvula de control remoto.

Acerca de la seguridad

Es fundamental observar métodos seguros al utilizar y dar mantenimiento a las herramientas y equipo de Greenlee. Este manual de instrucciones y todas las marcas que ostenta la bomba le ofrecen la información necesaria para evitar riesgos y prácticas poco seguras relacionados con su uso. Siga toda la información sobre seguridad que se proporciona.

Propósito de este manual

Este manual de instrucciones tiene como propósito familiarizar a todo el personal con los procedimientos de operación y mantenimiento seguros para las siguientes herramientas de Greenlee:

H4802	(42198)
H4802-1	(42199)
H4802-3	(42200)
H4802-5	(42201)
H4802-6	(42202)

Siempre mantenga este manual al alcance de todo el personal.

Puede obtener copias adicionales de manera gratuita, previa solicitud en www.greenlee.com.

Otras publicaciones

Para propietarios o usuarios

Norma SAE J1273 (Manguera y conjuntos de mangueras): Publicación 99930323

Centros de Servicio Autorizado Greenlee

Manual de reparación:

H4802:	Publicación 99910420
H4802-1:	Publicación 99910420
H4802-3:	Publicación 99910446
H4802-5:	Publicación 99910446
H4802-6:	Publicación 99910420

Todas las especificaciones son nominales y podrían cambiar según se hagan mejoras en el diseño. Greenlee Tools, Inc. no será responsable por daños que resulten de la aplicación o uso indebidos de sus productos.

CONSERVE ESTE MANUAL

INFORMACIÓN IMPORTANTE SOBRE SEGURIDAD



SÍMBOLO DE ALERTA SOBRE SEGURIDAD

Este símbolo se utiliza para indicar un riesgo o práctica poco segura que podría ocasionar lesiones o daños materiales. Cada uno de los siguientes términos denota la gravedad del riesgo. El mensaje que sigue a dichos términos le indica cómo puede evitar o prevenir dicho riesgo.

⚠ PELIGRO

Peligros inmediatos que, de no evitarse, OCASIONARÁN graves lesiones o incluso la muerte.

⚠ ADVERTENCIA

Peligros que, de no evitarse, PODRÍAN OCASIONAR graves lesiones o incluso la muerte.

⚠ ATENCIÓN

Peligros o prácticas peligrosas que, de no evitarse, PUEDEN OCASIONAR lesiones o daños materiales.



⚠ ADVERTENCIA

Lea y entienda todas las instrucciones y la información sobre seguridad que aparecen en este manual, antes de manejar esta bomba o darle mantenimiento.

De no observarse esta advertencia podrían sufrirse graves lesiones o incluso la muerte.

⚠ ADVERTENCIA

Peligro de electrocución:

Esta herramienta no tiene aislamiento eléctrico. Al utilizar esta unidad cerca de líneas eléctricas energizadas:



- Utilice únicamente mangueras no conductivas aprobadas y equipo de protección personal adecuado.
- Seleccione siempre un fluido para sistemas hidráulicos, que cumpla con los estándares dieléctricos mínimos estipulados por su departamento de seguridad, y manténgalo al nivel adecuado.

De no observarse esta advertencia podrían sufrirse lesiones graves o incluso la muerte.

⚠ ADVERTENCIA

Peligro de inyección cutánea:



- No use las manos para localizar fugas.
- No toque la manguera ni los acopladores mientras el sistema hidráulico se encuentre presurizado.
- Purgue la presión en el sistema hidráulico antes de darle mantenimiento.

El aceite a presión perfora la piel fácilmente provocando graves lesiones, gangrena o la muerte. Si se lesiona debido a una fuga de aceite, solicite atención médica de inmediato.

⚠ ADVERTENCIA

No desconecte la herramienta, ni las mangueras o accesorios mientras la herramienta esté funcionando ni cuando el fluido hidráulico esté caliente. El fluido hidráulico caliente puede ocasionar quemaduras graves.

⚠ ADVERTENCIA

No exceda los máximos especificados a continuación para la fuente de potencia hidráulica:

- Gasto hidráulico: 23 l/min (6 gpm)
- Presión de seguridad: 138 bar (2000 lb./pulg.²)
- Contrapresión: 13,8 bar (200 lb./pulg.²)

De no observarse esta advertencia podrían sufrirse graves lesiones o incluso la muerte.

INFORMACIÓN IMPORTANTE SOBRE SEGURIDAD

⚠️ ADVERTENCIA

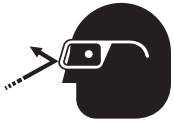
- No cambie accesorios ni inspeccione o limpie la herramienta mientras esté conectada a una fuente de potencia. Si se activa accidentalmente, pueden ocurrir lesiones graves.
 - Siempre sostenga la herramienta firmemente con ambas manos. Si el operador pierde el control de la unidad, ésta podría ocasionarle lesiones graves.
- De no observarse estas advertencias podrían sufrirse lesiones graves o incluso la muerte.

⚠️ ATENCIÓN

Riesgo de vibraciones:

Aplique únicamente la presión necesaria para realizar el trabajo. Si se ejerce una presión excesiva sobre el apisonador, el operador experimentará incomodidad o entumecimiento temporal.

⚠️ ADVERTENCIA



Utilice protectores para ojos al manejar o darle mantenimiento a esta herramienta.

De no utilizar protectores para ojos podría sufrir graves lesiones oculares ocasionadas si el aceite hidráulico, o restos de materiales llegaran a saltar.

⚠️ ATENCIÓN

- Revise minuciosamente las mangueras hidráulicas y los acoplamientos cada vez que vaya a utilizar la bomba. Repárelos o reemplácelos si presentan fugas, grietas, desgaste o daños evidentes. Las mangueras y acoplamientos averiados pueden fallar y ocasionar lesiones o daños materiales.
- Utilice esta bomba únicamente para el uso destinado por el fabricante. Si se utiliza de manera diferente a la descrita en este manual pueden ocurrir lesiones o daños materiales.
- Asegúrese que no haya circunstancias en el área de trabajo al manipular, activar y operar el apisonador. El personal del área podría sufrir lesiones si alguna pieza saliera disparada al haber un desperfecto del apisonador.

⚠️ ADVERTENCIA



Al manejar esta herramienta utilice calzado protector.

De no observarse esta advertencia podrían sufrirse lesiones graves.

⚠️ ATENCIÓN

El aceite hidráulico puede causar irritación en la piel.

- Maneje la bomba y las mangueras con cuidado para evitar que el aceite hidráulico entre en contacto con la piel.
- Si ocurre el contacto accidental, lávese de inmediato el área afectada a fin de eliminar el aceite.

De no observarse estas advertencias podrían sufrirse lesiones.

⚠️ ADVERTENCIA



Al manejar esta herramienta utilice protección auditiva.

La exposición de largo plazo a altos niveles de ruido podría resultar en pérdida de la audición.

IMPORTANTE

Procedimiento para conectar o desconectar las mangueras, accesorios o demás componentes hidráulicos:

1. Coloque la palanca de gasto –ubicada en la fuente de potencia hidráulica– en la posición de apagado (OFF).
2. Apague la fuente de potencia hidráulica.
3. Siga la secuencia detallada en “Conexión de las mangueras” a fin de evitar una acumulación de presión. Si esto ocurre, afloje lentamente las mangueras, los accesorios o los componentes.

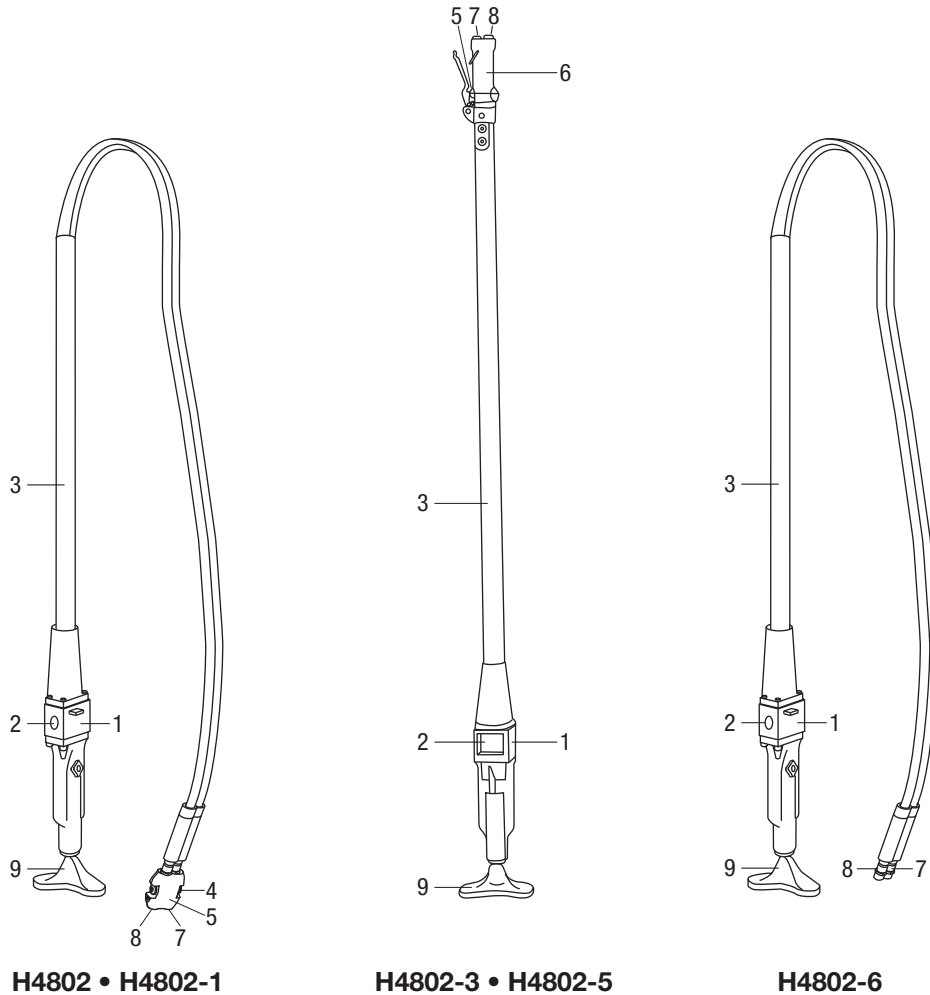
⚠️ ADVERTENCIA

No invierta el gasto hidráulico. Operar la herramienta con el gasto hidráulico invertido puede causar desperfectos. Conecte la manguera de suministro (presión) y la de retorno (tanque), en los orificios correspondientes en la herramienta.

De no observarse esta advertencia podrían sufrirse lesiones graves o incluso la muerte.

Aviso: Mantenga limpias y legibles todas las calcomanías y reemplácelas cuando sea necesario.

Identificación



H4802 • H4802-1

H4802-3 • H4802-5

H4802-6

Apisonadores de barra

1. Etiqueta con número de serie
2. Cuerpo de válvula
3. Tubo
4. Válvula ON/OFF (Encendido/Apagado)
5. Carrete de control
6. Mango
7. Bocatoma "T" del tanque hidráulico (retorno)
8. Bocatoma "P" de presión hidráulica (suministro)
9. Pata de apisonador

Especificaciones

Apisonadores de barra

Tipo de sistema hidráulico	Circuito abierto o circuito cerrado
Orificio de presión	Junta tórica de 9/16 – 18 SAE hembra
Orificio de retorno	Junta tórica de 3/4 – 16 SAE hembra
Impactos por minuto a	
15 l/min (4 gpm)	980
19 l/min (5 gpm)	1160
23 l/min (6 gpm)	1300
Niveles de ruido	
L _{WA} (nivel de potencia de ruido).....	10 belios
L _{pCpeak} (presión de sonido de emisión pico).....	103 dB
Vibración	53,75 m/s ²
Longitud	
H4802.....	1524 mm (60 pulg.)
H4802-1	2134 mm (84 pulg.)
H4802-3	1830 mm (72 pulg.)
H4802-5	1520 mm (60 pulg.)
H4802-6	1524 mm (60 pulg.)
Ancho	102 mm (4 pulg.)
Masa/Peso	
H4802.....	10,4 kg (23 lb)
H4802-1	12,7 kg (28 lb)
H4802-3	10,4 kg (23 lb)
H4802-5	10 kg (22 lb)
H4802-6	10,4 kg (23 lb)
Pata de apisonado (en forma de riñón)	64 mm x 203 mm (2,5 pulg. x 8 pulg.)

Fuente de potencia hidráulica

⚠️ ADVERTENCIA

No exceda los máximos especificados a continuación para la fuente de potencia hidráulica:

- Gasto hidráulico: 23 l/min (6 gpm)
- Presión de seguridad: 138 bar (2000 lb./pulg.²)
- Contrapresión: 13,8 bar (200 lb./pulg.²)

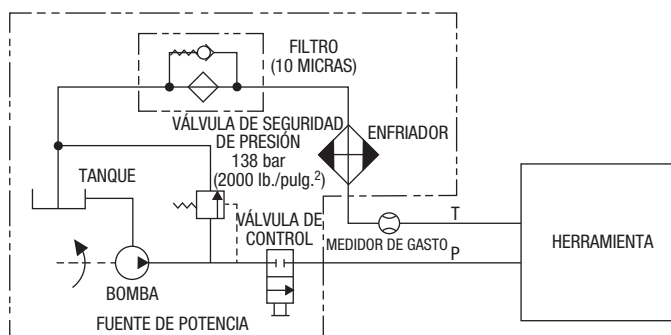
De no observarse esta advertencia podrían sufrirse graves lesiones o incluso la muerte.

Tipo de sistema hidráulico	Centro abierto o centro cerrado
Gasto	
Mínimo	15 l/min (4 gpm)
Recomendado.....	19 l/min (5 gpm)
Máximo	23 l/min (6 gpm)
Filtración.....	10 micras (nominal)
Ajuste de la presión de seguridad.....	138 bar (2000 lb./pulg. ²)
Contrapresión (máxima*).....	13,8 bar (200 lb./pulg. ²)

* 13.8 bar (200 psi) is the maximum agreed standard back pressure for the HTMA (Hydraulic Tool Manufacturers Association). Greenlee tools will operate satisfactorily at this standard.

1. La temperatura máxima del fluido hidráulico no debe exceder 60 °C (140 °F). Es indispensable contar con suficiente capacidad de enfriamiento del aceite, a fin de controlar la temperatura del fluido hidráulico.
2. El gasto hidráulico no debe exceder 23 l/min (6 gpm). Instale un medidor de gasto en la línea de retorno para medir la velocidad del gasto hidráulico antes de utilizar la bomba.
3. El ajuste de la válvula de presión de seguridad no debe sobrepasar 138 bar (2000 lb./pulg.²) al gasto máximo de su bomba. Localice la válvula de presión de seguridad en el circuito de suministro para limitar un exceso de presión hidráulica a la bomba.

Diagrama hidráulico



Fluidos hidráulicos recomendados

Utilice fluidos hidráulicos, sin detergentes, con base de petróleo, y que cumplan con las siguientes especificaciones o con las especificaciones de la HTMA.

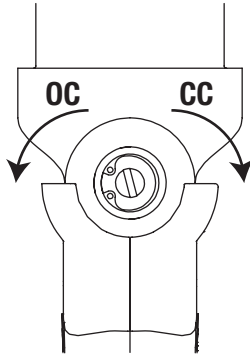
S.U.S. a	
38 °C (100 °F).....	140 a 225
99 °C (210 °F).....	40 mínimo
Punto de inflamación.....	170 °C (340 °F) mínimo
Punto de fluidez	-34 °C (-30 °F) mínimo

Montaje del Super Spool™

H4802-3 y H4802-5 solamente

El Super Spool permite que la herramienta pueda utilizarse tanto en sistemas hidráulicos de circuito abierto como de circuito cerrado.

1. Introduzca un destornillador en la ranura de la bobina.
2. Si está utilizando:
 - un sistema hidráulico de circuito abierto, gire el Super Spool en sentido contrario a las manillas del reloj hasta que tope.
 - un sistema hidráulico de circuito cerrado, gire el Super Spool en el sentido de las manillas del reloj hasta que tope.



Mangueras y accesorios

Instalación y mantenimiento

Consulte la publicación 99930323, SAE J1273 (Manguera y conjuntos de mangueras).

Reemplazo

Consulte el catálogo Greenlee o la publicación 99910322, "Mangueras, adaptadores y acopladores de montaje rápido a baja presión".

ADVERTENCIA

No desconecte la herramienta, ni las mangueras o accesorios mientras la herramienta esté funcionando ni cuando el fluido hidráulico esté caliente. El fluido hidráulico caliente puede ocasionar quemaduras graves.

Conexión de las mangueras

Identificación de los orificios de la herramienta

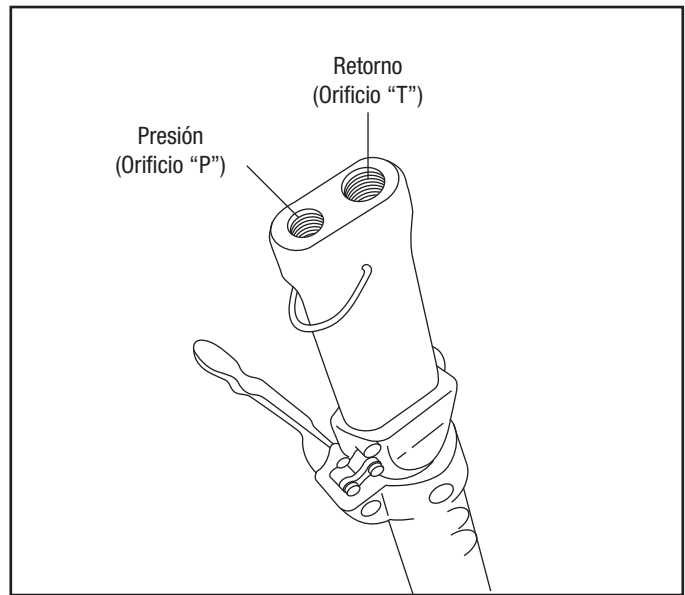
Existen tres métodos para identificar los orificios de presión y retorno en las herramientas Greenlee. Compare las marcas en su herramienta con lo indicado en esta tabla.

Orificio de presión	Orificio de retorno
P	T
o	
"In" (Admisión)	"Out" (Descarga)
o	
Junta tórica Boss de 9/16 pulg.-18, (bocatoma más pequeña)	Junta tórica Boss de 3/4 pulg.-16, (orificio más grande)

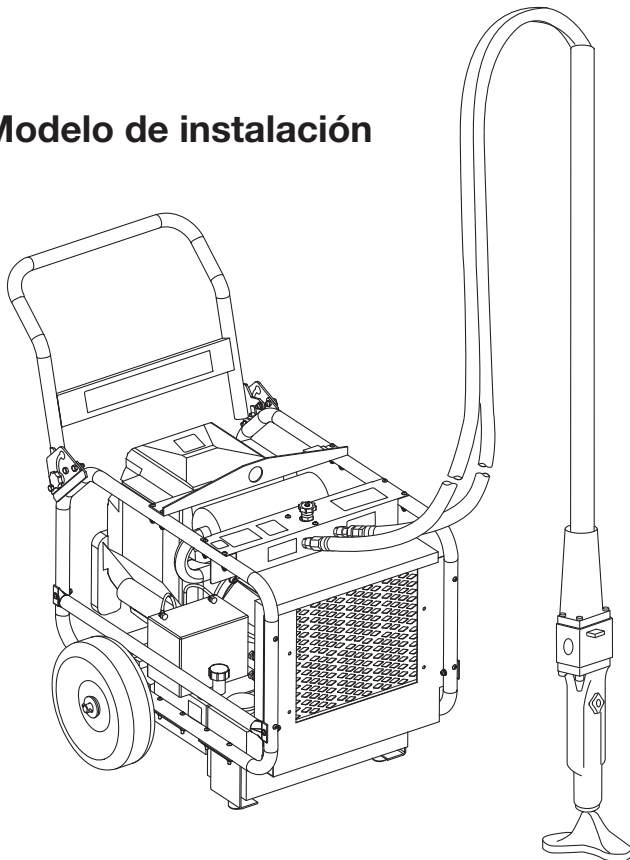
H4802-3 y H4802-5:

Conexión de las mangueras

1. Coloque la palanca de gasto –ubicada en la fuente de potencia– en la posición OFF (Apagado).
2. Apague la fuente de potencia hidráulica.
3. Conecte la manguera de retorno al orificio de retorno –ubicado en la fuente de potencia- y enseguida, al orificio de retorno ubicado en la herramienta.
4. Conecte la manguera de presión al orificio de presión –ubicado en la herramienta- y enseguida, al orificio de presión ubicado en la fuente de potencia.



Modelo de instalación



Desconexión de las mangueras

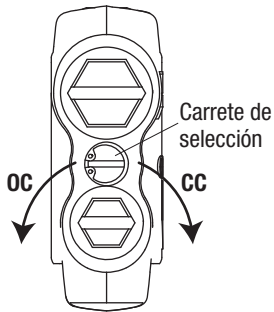
1. Coloque la palanca de gasto –ubicada en la fuente de potencia– en la posición OFF (Apagado).
2. Apague la fuente de potencia hidráulica.
3. Desconecte primero la manguera de presión de la fuente de potencia y enseguida, de la herramienta.
4. Desconecte primero la manguera de retorno de la herramienta, y enseguida, de la fuente de potencia.
5. Coloque las tapas guardapolvos sobre las bocatomas para evitar que éstas se contaminen.

Conexión de las mangueras (continuación)

H4802, H4802-1, y H4802-6: Conexión de las mangueras

La válvula de control remoto puede utilizarse en sistemas de centro abierto y en sistemas de centro cerrado mediante el ajuste del carrete de selección OC/CC.

- Para el funcionamiento con bombeo de centro abierto, use un destornillador de cabeza plana para girar a la izquierda el carrete hasta que éste haga contacto con el anillo de retención.
- Para el funcionamiento de centro cerrado, apriete el carrete girándolo hacia la derecha hasta que quede ajustado.



⚠ ADVERTENCIA

Al conectar o desconectar la válvula de control remoto, siempre asegúrese que la válvula esté en la posición cerrada (off) y que el sistema esté despresurizado.

De no observarse esta advertencia podrían sufrirse lesiones graves o incluso la muerte.

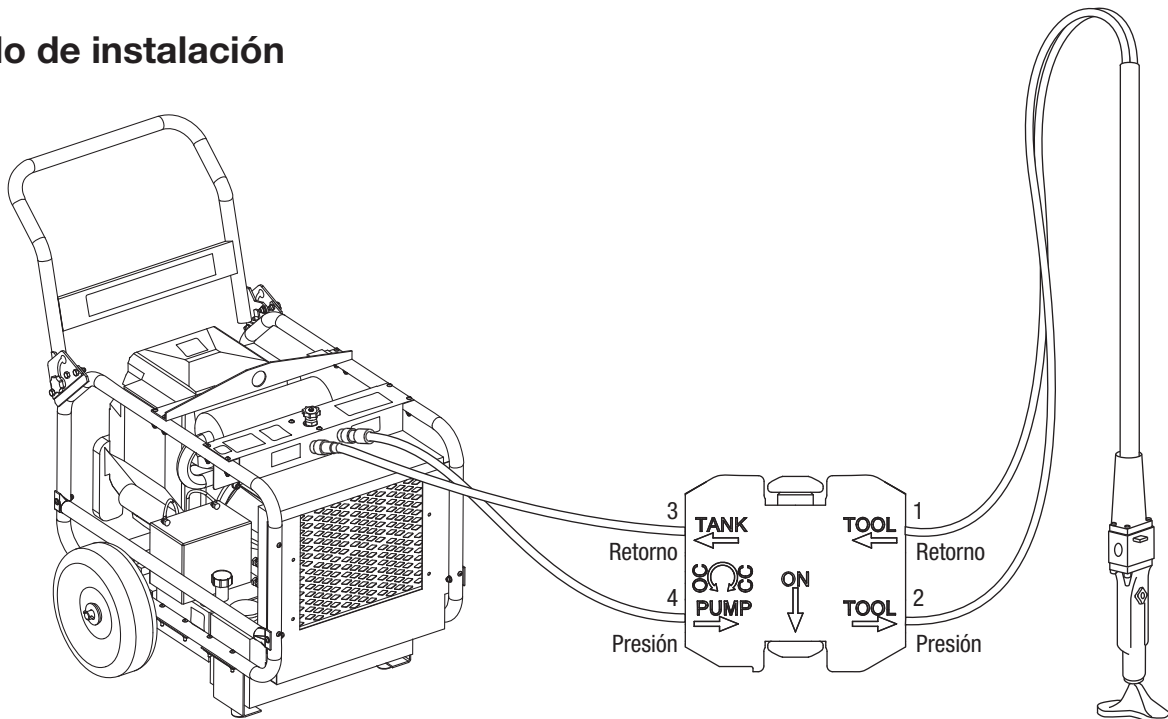
Cómo conectar la válvula de control remoto

Al conectar la válvula de control remoto al sistema, conecte las líneas en el orden en que están numeradas en el diagrama siguiente (1-2-3-4).

Cómo desconectar la válvula de control remoto

Al desconectar la válvula de control remoto, retire las líneas en orden inverso al que aparecen numeradas en el diagrama a continuación (4-3-2-1).

Modelo de instalación



Instalación

⚠️ ADVERTENCIA

No exceda los máximos especificados a continuación para la fuente de potencia hidráulica:

- Gasto hidráulico: 23 l/min (6 gpm)
- Presión de seguridad: 138 bar (2000 lb./pulg.²)
- Contrapresión: 13,8 bar (200 lb./pulg.²)

De no observarse esta advertencia podrían sufrirse graves lesiones o incluso la muerte.

⚠️ ADVERTENCIA

No invierta el gasto hidráulico. Operar la herramienta con el gasto hidráulico invertido puede causar desperfectos. Conecte la manguera de suministro (presión) y la de retorno (tanque), en los orificios correspondientes en la herramienta.

De no observarse esta advertencia podrían sufrirse lesiones graves o incluso la muerte.

1. Apague la fuente de potencia.
H4802-3 y H4802-5 solamente: Ajuste el carrete de control según se describe en la sección "Montaje del Super Spool™".
2. Conecte las mangueras de la manera descrita en la sección "Conexiones de las mangueras".

Operación

⚠️ ADVERTENCIA



Peligro de electrocución:

Esta herramienta no tiene aislamiento eléctrico. Al utilizar esta unidad cerca de líneas eléctricas energizadas:

- Utilice únicamente mangueras no conductivas aprobadas y equipo de protección personal adecuado.
- Seleccione siempre un fluido para sistemas hidráulicos, que cumpla con los estándares dieléctricos mínimos estipulados por su departamento de seguridad, y manténgalo al nivel adecuado.

De no observarse esta advertencia podrían sufrirse lesiones graves o incluso la muerte.

⚠️ ADVERTENCIA



Peligro de inyección cutánea:

- No use las manos para localizar fugas.
- No toque la manguera ni los acopladores mientras el sistema hidráulico se encuentre presurizado.
- Purgue la presión en el sistema hidráulico antes de darle mantenimiento.

El aceite a presión perfora la piel fácilmente provocando graves lesiones, gangrena o la muerte. Si se lesiona debido a una fuga de aceite, solicite atención médica de inmediato.

⚠️ ADVERTENCIA

No desconecte la herramienta, ni las mangueras o accesorios mientras la herramienta esté funcionando ni cuando el fluido hidráulico esté caliente. El fluido hidráulico caliente puede ocasionar quemaduras graves.

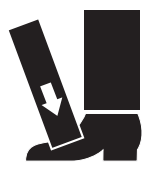
⚠️ ADVERTENCIA

Siempre sostenga la herramienta firmemente con ambas manos. Si el operador pierde el control de la unidad, ésta podría ocasionarle lesiones graves.

De no observarse esta advertencia podrían sufrirse lesiones graves o incluso la muerte.

Operación (continuación)

	⚠ ADVERTENCIA
	<p>Utilice protectores para ojos al manejar o darle mantenimiento a esta herramienta.</p> <p>De no utilizar protectores para ojos podría sufrir graves lesiones oculares ocasionadas si el aceite hidráulico, o restos de materiales llegan a saltar.</p>

	⚠ ADVERTENCIA
	<p>Al manejar esta herramienta utilice calzado protector.</p> <p>De no observarse esta advertencia podrían sufrirse lesiones graves.</p>

	⚠ ADVERTENCIA
	<p>Al manejar esta herramienta utilice protección auditiva.</p> <p>La exposición de largo plazo a altos niveles de ruido podría resultar en pérdida de la audición.</p>

- Ponga en marcha la fuente de potencia.
Aviso: Espere unos minutos a que la fuente de potencia caliente el fluido hidráulico.
- Coloque la pata de apisonado en el material a compactar.
- Sujete firmemente el tubo.

⚠ ATENCIÓN
<p>Riesgo de vibraciones:</p> <p>Aplique únicamente la presión necesaria para realizar el trabajo. Si se ejerce una presión excesiva sobre el apisonador, el operador experimentará incomodidad o entumecimiento temporal.</p>

- Coloque el control del carrete en la posición ON (Encendido).
- Aplique presión leve hacia abajo.
Aviso: La presión excesiva tendrá muy poco efecto en el grado de compactación, pero acelerará sustancialmente la fatiga del operador. Deje que el apisonador haga el trabajo.
- Al terminar de compactar, mueva el carrete de control a la posición OFF (Apagado).

Mantenimiento

⚠ ADVERTENCIA
<p>No cambie accesorios ni inspeccione o limpie la herramienta mientras esté conectada a una fuente de potencia. Si se activa accidentalmente, pueden ocurrir lesiones graves.</p> <p>De no observarse esta advertencia podrían sufrirse lesiones graves o incluso la muerte.</p>

	⚠ ADVERTENCIA
	<p>Utilice protectores para ojos al manejar o darle mantenimiento a esta herramienta.</p> <p>De no utilizar protectores para ojos podría sufrir graves lesiones oculares ocasionadas si el aceite hidráulico, o restos de materiales llegan a saltar.</p>

⚠ ATENCIÓN
<p>El aceite hidráulico puede causar irritación en la piel.</p> <ul style="list-style-type: none"> Maneje la bomba y las mangueras con cuidado para evitar que el aceite hidráulico entre en contacto con la piel. Si ocurre el contacto accidental, lávese de inmediato el área afectada a fin de eliminar el aceite. <p>De no observarse estas advertencias podrían sufrirse lesiones.</p>

Siga este calendario de mantenimiento para maximizar la vida útil de la bomba.

Aviso: Mantenga limpias y legibles todas las calcomanías y reemplácelas cuando sea necesario.

Diariamente

- Limpie con un paño todas las superficies de la bomba.
- Revise si las mangueras y los accesorios hidráulicos presentan signos de fugas, grietas, desgaste o daños. Reemplace según sea necesario.
- Cuando la bomba esté desconectada, coloque las tapas guardapolvo en las bocatomas hidráulicas.

Mensualmente

- Realice una inspección minuciosa de las mangueras y accesorios hidráulicos, según se describe en la publicación 99930323, SAE J1273 (Manguera y conjuntos de mangueras).
- Examine la pata de apisonado para verificar que no tenga fisuras, desportillados, etc. Cámbiela si está dañada.

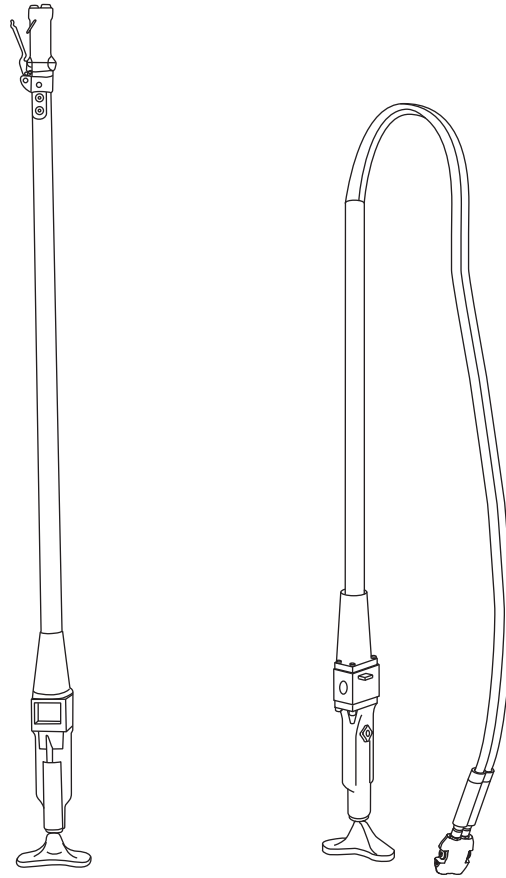
Solución de problemas

Antes de proceder a diagnosticar y solucionar la falla, determine si el problema se presenta en la bomba, en las mangueras o en la fuente de potencia. Sustituya la bomba, las mangueras o la fuente de potencia por otras que se sepa están en buenas condiciones de funcionamiento; de esta forma podrá averiguar cuál de los componentes es el que está fallando.

Si el problema está en la bomba, consulte la guía de diagnóstico y solución de fallas que se incluye a continuación. Si el problema está en la fuente de potencia, consulte la sección “Diagnóstico y solución de fallas” del manual de instrucciones de dicha fuente.

Problema	Causa probable	Probable Remedy
La herramienta no funciona.	La herramienta está conectada erróneamente.	Conecte correctamente la herramienta. Consulte la sección “Conexiones de las mangueras” en este manual.
	El ariete hidráulico se encuentra en el extremo de la carrera, restringiendo, el fluido hidráulico.	Asiente la herramienta en la pata de apisonado para empujar hacia arriba el flujo del ariete hidráulico.
	Fuente de potencia inadecuada.	Verifique que la fuente de potencia cumpla con las especificaciones. Consulte la sección “Especificaciones” en este manual.
	El nivel del fluido hidráulico está bajo.	Revise el nivel del fluido. Revise que el sistema no presente fugas.
	La viscosidad del fluido hidráulico es errónea.	Use fluido hidráulico con la viscosidad correcta. Consulte la sección “Especificaciones” en este manual.
La herramienta funciona lenta o erráticamente.	El fluido hidráulico está frío.	Deje que el fluido alcance su temperatura de funcionamiento. Accione la herramienta de manera intermitente para reducir el tiempo de calentamiento.
	El nivel del fluido hidráulico está bajo.	Revise el nivel del fluido. Revise que el sistema no presente fugas.
	Hay aire en el sistema hidráulico.	Consulte las instrucciones del fabricante de la fuente de potencia en relación con el procedimiento para eliminar aire del sistema.
	La viscosidad del fluido hidráulico es errónea.	Use fluido hidráulico con la viscosidad correcta. Consulte la sección “Especificaciones” en este manual.

MANUEL D'INSTRUCTIONS



Dames Série H4802



Lire et comprendre toutes les instructions et les informations sur la sécurité figurant dans ce manuel avant d'utiliser ou de procéder à l'entretien de cet outil.

Enregistrez votre produit en ligne, www.greenlee.com

Table des matières

Description	26
Sécurité	26
Object de ce manuel	26
Autres publications.....	26
Consignes de sécurité importantes.....	27-28
Identification.....	29
Caractéristiques techniques.....	30
Montage du Super Spool™.....	31
Tuyaux et raccords	31
Branchement des tuyaux	32-33
Montage type	32-33
Mise en service.....	34
Fonctionnement	34-35
Entretien	35
Dépannage	36
Illustrations et liste des pièces	37-40

Description

Les dames pour poteaux Greenlee fonctionnent avec des systèmes hydrauliques à centre ouvert ou à centre fermé et s'utilisent pour la pose de poteaux électriques, le compactage de l'asphalte et le damage général de remblais de construction. Peu bruyantes, légères et nécessitant peu d'entretien, les dames Greenlee sont proposées dans des longueurs de 1 520 mm (60"), 1 830 mm (72") et 2 160 mm (85").

Les modèles H4802 et H4802-1 comportent une vanne de commande à distance.

Sécurité

Lors de l'utilisation et de l'entretien des outils et de l'équipement de Greenlee, la sécurité est essentielle. Les instructions de ce manuel et celles qui sont inscrites sur l'outil fournissent des informations qui permettent d'éviter les dangers et les manipulations dangereuses liés à l'utilisation de cet outil. Veiller à respecter toutes les consignes de sécurité.

Object de ce manuel

Ce manuel d'instructions a pour objet de familiariser le personnel avec les procédures préconisées pour une utilisation et un entretien sans danger des outils Greenlee suivants :

H4802	(42198)
H4802-1	(42199)
H4802-3	(42200)
H4802-5	(42201)
H4802-6	(42202)

Mettre ce manuel à la disposition de tous les employés.

Des exemplaires gratuits peuvent être obtenus sur simple demande au site www.greenlee.com.

Autres publications

Propriétaires/utilisateurs d'outils

Norme SAE J1273 (Tuyaux et assemblages de tuyaux) :
Publication 99930323

Centres de réparation agréés Greenlee

Manuel de réparation :

H4802:	Publication 99910420
H4802-1:	Publication 99910420
H4802-3:	Publication 99910446
H4802-5:	Publication 99910446
H4802-6:	Publication 99910420

Toutes les caractéristiques sont nominales et peuvent changer conjointement aux améliorations apportées. Greenlee Tools, Inc. décline toute responsabilité pour les dommages résultant d'un emploi détourné ou abusif de ses produits.

CONSERVER CE MANUEL

CONSIGNES DE SÉCURITÉ IMPORTANTES



SYMBOLE D'AVERTISSEMENT

Ce symbole met en garde contre les risques et les manipulations dangereuses pouvant entraîner des blessures ou des dégâts matériels. Les mots indicateurs ci-dessous définissent la gravité du danger, et sont suivis d'informations permettant de prévenir ou d'éviter le danger.

⚠ DANGER

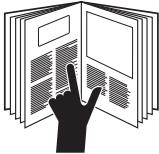
Danger immédiat qui, s'il n'est pas évité, ENTRAÎNERA des blessures graves, voire mortelles.

⚠ AVERTISSEMENT

Danger qui, s'il n'est pas évité, POURRAIT entraîner des blessures graves, voire mortelles.

⚠ ATTENTION

Dangers ou manipulations dangereuses qui, s'ils ne sont pas évités, POURRAIENT ÉVENTUELLEMENT entraîner des blessures graves, voire mortelles.



⚠ AVERTISSEMENT

Lire et comprendre toutes les instructions et les informations sur la sécurité figurant dans ce manuel avant d'utiliser ou de procéder à l'entretien de cet outil.

Le non-respect de cette consigne pourrait entraîner des blessures graves, voire mortelles.

⚠ AVERTISSEMENT

Danger de choc électrique :

Cet outil n'est pas isolé. Lorsque cet appareil est utilisé à proximité de lignes électriques sous tension :



- Utilisez exclusivement des tuyaux non conducteurs certifiés et un équipement de protection individuelle approprié.
- Sélectionnez et entretenez le liquide hydraulique conformément aux normes diélectriques minimales en vigueur.

Le non-respect de cette mise en garde peut entraîner des blessures graves ou la mort.

⚠ AVERTISSEMENT

Risque d'injection sous-cutanée :



- Ne jamais utiliser les mains pour déterminer l'emplacement d'une fuite.
- Ne jamais tenir un tuyau ou un raccord de tuyau dans les mains lorsque le système hydraulique est pressurisé.
- Dépressuriser le système hydraulique avant d'en effectuer l'entretien.

Un jet d'huile sous pression peut facilement percer la peau et entraîner de graves blessures, la gangrène, voire la mort. En cas de blessure par un jet d'huile, consulter immédiatement un médecin.

⚠ AVERTISSEMENT

Ne débranchez pas l'outil, les tuyaux ou les raccords alors que l'outil est en marche ou si le liquide hydraulique est chaud. Le liquide hydraulique chaud peut provoquer des brûlures graves.

⚠ AVERTISSEMENT

Ne pas dépasser les quantités maximales de source d'alimentation hydraulique suivantes :

- Débit hydraulique : 23 l/min (6 gpm)
- Pression de décharge : 138 bars (2 000 psi)
- Contre-pression : 13,8 bars (200 psi)

Le non-respect de cette consigne pourrait entraîner des blessures graves, voire mortelles.

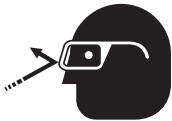
CONSIGNES DE SÉCURITÉ IMPORTANTES

⚠️ AVERTISSEMENT

- Veillez à ne pas changer les accessoires ni contrôler ou nettoyer l'outil alors qu'il est raccordé à une source d'énergie. Un démarrage accidentel peut provoquer des blessures graves.
- Tenez fermement l'outil des deux mains en permanence. La perte de contrôle de l'outil peut provoquer des blessures graves.

Le non-respect de ces mises en garde peut entraîner des blessures graves ou la mort.

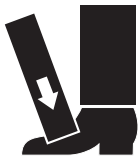
⚠️ AVERTISSEMENT



Veiller à porter des lunettes de protection lors de l'utilisation ou de l'entretien de cet outil.

Négliger de porter des lunettes de protection pourrait entraîner des blessures oculaires graves causées par la projection de débris ou d'huile hydraulique.

⚠️ AVERTISSEMENT



Portez une protection des pieds durant l'utilisation de cet outil.

Le non-respect de cette mise en garde peut entraîner des blessures graves.

⚠️ AVERTISSEMENT



Portez une protection auditive durant l'utilisation de cet outil.

L'exposition à long terme à des niveaux sonores élevés peut provoquer des dommages auditifs.

⚠️ AVERTISSEMENT

N'inversez pas le flux hydraulique car cela peut provoquer des problèmes de fonctionnement. Branchez le tuyau d'alimentation (pression) et le tuyau de retour (réservoir) sur les raccords correspondants de l'outil.

Le non-respect de cette mise en garde peut entraîner des blessures graves ou la mort.

⚠️ ATTENTION

Danger des vibrations :

Exercez juste assez de pression pour exécuter la tâche. Une pression excessive sur la dame peut provoquer une gêne voire un engourdissement temporaire chez l'opérateur.

⚠️ ATTENTION

- Inspecter les tuyaux hydrauliques et les raccords chaque jour de fonctionnement. En cas de constatation de fuite, de fissure, d'usure ou d'endommagement, réparer ou remplacer le cas échéant. Les tuyaux ou raccords endommagés peuvent subir une défaillance et entraîner des blessures ou des dégâts matériels.
- Utiliser cet outil aux fins prévues par le fabricant uniquement. L'utilisation à d'autres fins que celles prévues dans ce manuel peut provoquer des blessures ou des dégâts matériels.
- Veillez à tenir toutes les personnes présentes à l'écart de la zone de travail durant la manipulation, le démarrage et l'utilisation de l'outil. Les personnes proches peuvent être blessées par la projection de pièces en cas de mauvais fonctionnement de l'outil.

⚠️ ATTENTION

L'huile hydraulique peut provoquer une irritation de la peau.

- Manipuler les tuyaux et l'outil avec précaution pour éviter un contact cutané avec l'huile hydraulique.
- En cas de contact cutané accidentel avec l'huile hydraulique, laver immédiatement la partie affectée pour enlever l'huile.

Le non-respect de ces consignes peut entraîner des blessures graves.

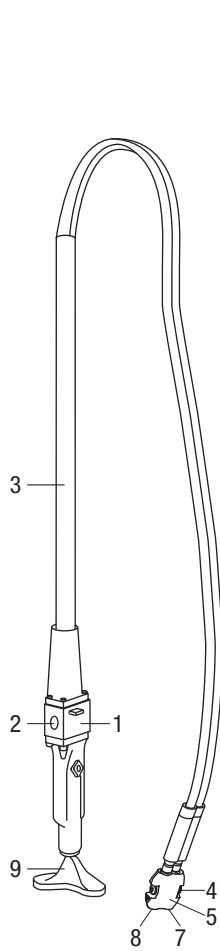
IMPORTANT

Procédure de branchement ou de débranchement des tuyaux hydrauliques, de leurs raccords et de leurs composants :

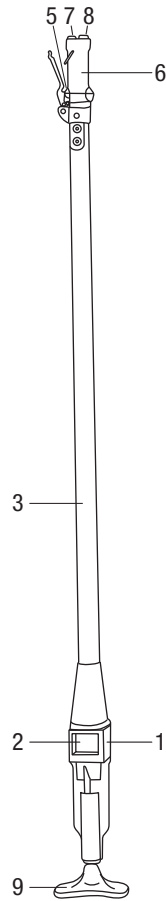
1. Placer le levier d'écoulement de la source d'alimentation hydraulique en position d'ARRÊT (OFF).
2. Couper la source d'alimentation hydraulique.
3. Suivre la séquence indiquée dans la rubrique « Branchement des tuyaux » pour éviter une montée en pression. Au cas où la pression aurait augmenté, desserrer lentement les tuyaux, les raccords ou les composants.

Remarque : Conserver toutes les décalcomanies dans un état propre et lisible et les remplacer au besoin.

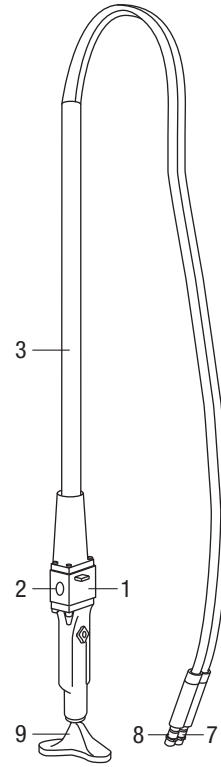
Identification



H4802 • H4802-1



H4802-3 • H4802-5



H4802-6

Dames

1. Étiquette signalétique
2. Corps de vanne
3. Tube
4. Vanne marche/arrêt
5. Tiroir de commande
6. Poignée
7. Raccord de réservoir hydraulique « T » (retour)
8. Raccord de pression hydraulique « P » (alimentation)
9. Pied

Caractéristiques techniques

Dames

Type de système hydraulique.....	Centre ouvert ou centre fermé
Orifice de pression ... SAE femelle 9/16-18 à joint torique	
Orifice de retour..... SAE femelle 3/4-16 à joint torique	
Coups par minute	
à 15 l/min (4 gpm)	980
à 19 l/min (5 gpm)	1160
à 23 l/min (6 gpm)	1300
Niveaux de bruit	
L _{WA} (niveau de puissance acoustique).....	10 bels
L _{pCrête} (pression acoustique émise de crête)...	103 dB
Vibration	53,75 m/s ²
Longueur	
H4802.....	1 524 mm (60")
H4802-1	2 134 mm (84")
H4802-3	1 830 mm (72")
H4802-5	1 520 mm (60")
H4802-6	1 524 mm (60")
Largeur	102 mm (4")
Masse/poids	
H4802.....	10,4 kg (23 lb)
H4802-1	12,7 kg (28 lb)
H4802-3	10,4 kg (23 lb)
H4802-5	10 kg (22 lb)
H4802-6	10,4 kg (23 lb)
Pied de damage (en haricot)	64 mm x 203 mm (2,5" x 8")

Source d'alimentation hydraulique

⚠ AVERTISSEMENT

Ne pas dépasser les quantités maximales de source d'alimentation hydraulique suivantes :

- Débit hydraulique : 23 l/min (6 gpm)
- Pression de décharge : 138 bars (2 000 psi)
- Contre-pression : 13,8 bars (200 psi)

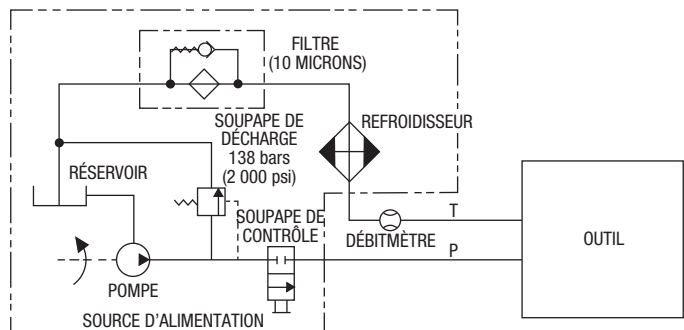
Le non-respect de cette consigne pourrait entraîner des blessures graves, voire mortelles.

Type de système hydraulique.....	Centre ouvert ou centre fermé
Débit	
Minimum	15 l/min (4 gpm)
Recommandé.....	19 l/min (5 gpm)
Maximum	23 l/min (6 gpm)
Filtration.....	10 microns (nominal)
Réglage de la pression de décharge.....	138 bars (2 000 psi)
Contre-pression (maximum)*	13,8 bars (200 psi)

* 13,8 bars (200 psi) est la contre-pression standard maximale acceptée par la HTMA (*Hydraulic Tool Manufacturers Association / Association des fabricants d'outils hydrauliques*). L'outil de Greenlee fonctionne parfaitement avec cette contre-pression.

1. La température maximale du liquide hydraulique ne peut excéder 60 °C (140 °F). Une capacité suffisante de refroidissement de l'huile est nécessaire pour limiter la température du liquide hydraulique.
2. Le débit hydraulique ne doit pas dépasser 23 l/min (6 gpm). Installer un débitmètre dans le tube de retour afin de mesurer le débit hydraulique avant d'utiliser l'outil.
3. Le réglage de la soupape de décharge ne doit pas dépasser 138 bars (2 000 psi) lors du débit maximal de l'outil. Repérer l'emplacement de la soupape de décharge au sein du circuit d'alimentation afin que la pompe ne subisse pas une pression hydraulique excessive.

Schéma hydraulique



Liquides hydrauliques recommandés

Utiliser n'importe quel liquide hydraulique non détergent dérivé du pétrole répondant aux caractéristiques suivantes ou à celles qui sont spécifiées par l'association HTMA.

S.U.S @

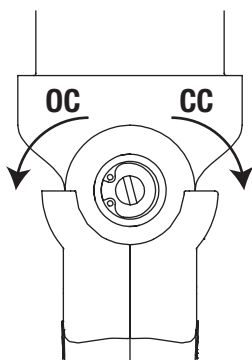
38 °C (100 °F).....	140 à 225
99 °C (210 °F).....	40 minimum
Point d'éclair	170 °C (340 °F) minimum
Point d'écoulement	-34 °C (-30 °F) minimum

Montage du Super Spool™

H4802-3 et H4802-5 seulement

Le Super Spool permet d'utiliser l'outil sur des systèmes hydrauliques à centre ouvert ou à centre fermé.

1. Insérez un tournevis dans le creux du tiroir.
2. Si vous utilisez :
 - un système hydraulique à centre ouvert, tournez le Super Spool dans le sens antihoraire jusqu'à l'arrêt.
 - un système hydraulique à centre fermé, tournez le Super Spool dans le sens horaire jusqu'à l'arrêt.



Tuyaux et raccords

Installation et entretien

Consulter la publication 99930323, SAE J1273 (Tuyaux et assemblages de tuyaux).

Remplacement

Consulter un catalogue de Greenlee ou la publication 99910322, « Dispositifs d'attache rapide, adaptateurs et tuyaux de basse pression ».

AVERTISSEMENT

Ne débranchez pas l'outil, les tuyaux ou les raccords alors que l'outil est en marche ou si le liquide hydraulique est chaud. Le liquide hydraulique chaud peut provoquer des brûlures graves.

Branchement des tuyaux

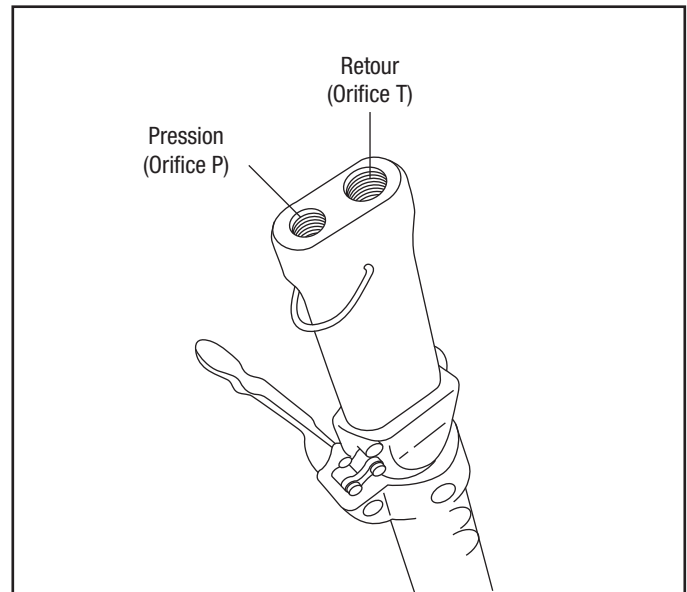
Identification des orifices de l'outil

Il y a trois façons possibles d'identifier les orifices de pression et de retour des outils Greenlee. Comparez les marquages sur l'outil avec les indications de ce tableau.

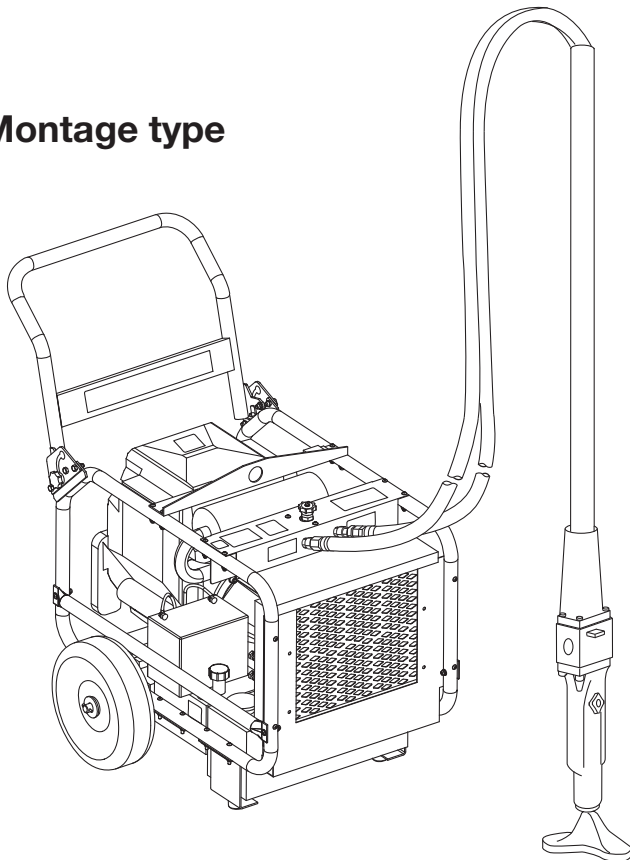
Orifice de pression	Orifice de retour
P	T
ou	
In	Out
ou	
Bossage 9/16-18 à joint torique (petit orifice)	Bossage 3/4-16 à joint torique (grand orifice)

H4802-3 et H4802-5 : Brancher les tuyaux

1. Placez le levier de débit de la source d'alimentation en position fermée (OFF).
2. Coupez la source d'alimentation hydraulique.
3. Raccordez le tuyau de retour à l'orifice de retour de la source d'alimentation, puis à l'orifice de retour de l'outil.
4. Raccordez le tuyau de pression à l'orifice de pression de l'outil, puis à l'orifice de pression de la source d'alimentation.



Montage type



Débrancher les tuyaux

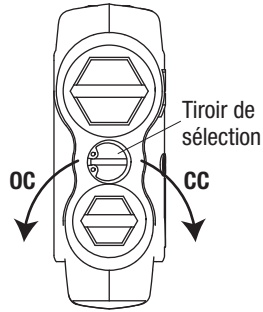
1. Placez le levier de débit de la source d'alimentation en position fermée (OFF).
2. Coupez la source d'alimentation hydraulique.
3. Débranchez le tuyau de pression de la source d'alimentation, puis de l'outil.
4. Débranchez le tuyau de retour de l'outil, puis de la source d'alimentation.
5. Poser des capuchons antipoussière sur les orifices pour éviter toute pénétration de saleté.

Branchement des tuyaux (suite)

H4802, H4802-1, et H4802-6: Brancher les tuyaux

La vanne de commande à distance peut être utilisée avec des systèmes à centre ouvert ou à centre fermé en réglant le tiroir de sélection OC/CC.

- Pour un fonctionnement avec pompe à centre ouvert, utilisez un tournevis plat pour tourner le tiroir dans le sens antihoraire jusqu'à ce qu'il entre en contact avec la bague de retenue.
- Pour un fonctionnement à centre fermé, serrez le tiroir dans le sens horaire jusqu'à ce qu'il soit bien ajusté.



⚠ AVERTISSEMENT

Lors du branchement ou du débranchement de la vanne de commande à distance, veuillez toujours à mettre la vanne en position d'arrêt (off) et à dépressuriser le système.

Le non-respect de cette mise en garde peut entraîner des blessures graves ou la mort.

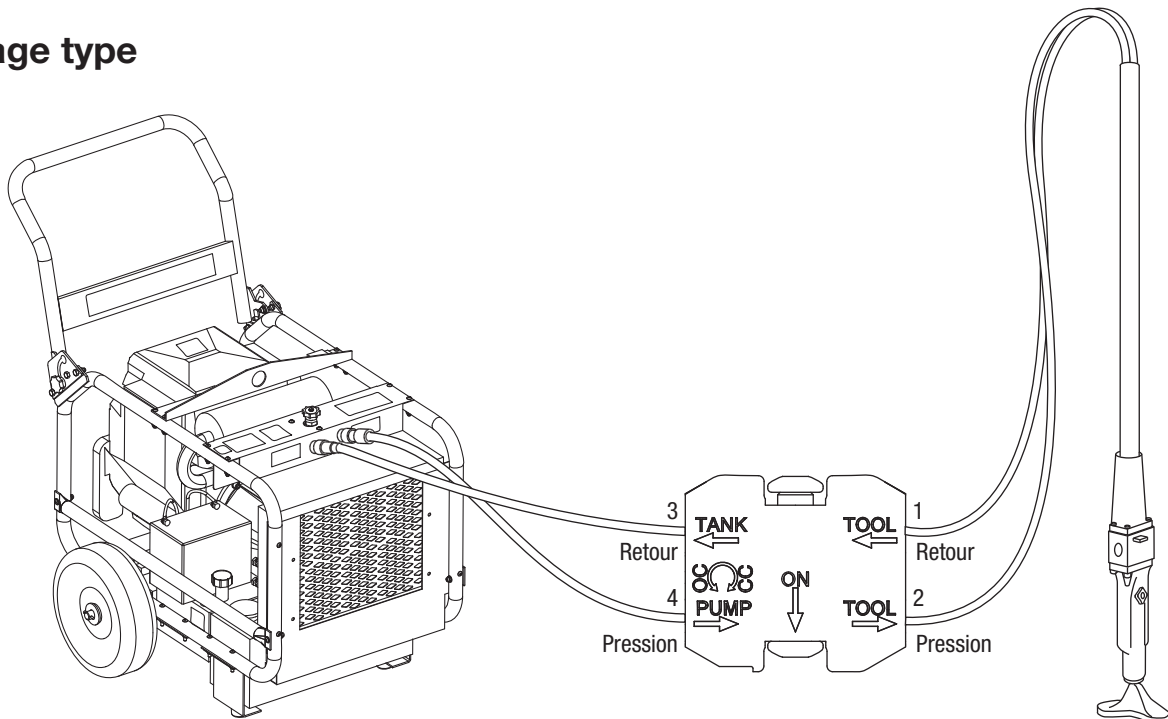
Branchement de la vanne de commande à distance

Lors du branchement de la vanne de commande à distance au système, branchez les lignes dans l'ordre de la numérotation indiquée sur le schéma ci-dessous (1-2-3-4).

Débranchement de la vanne de commande à distance

Lors du débranchement de la vanne à distance, enlevez les lignes dans l'ordre inverse de la numérotation indiquée sur le schéma ci-dessous (4-3-2-1).

Montage type



Mise en service
⚠️ AVERTISSEMENT

Ne pas dépasser les quantités maximales de source d'alimentation hydraulique suivantes :

- Débit hydraulique : 23 l/min (6 gpm)
- Pression de décharge : 138 bars (2 000 psi)
- Contre-pression : 13,8 bars (200 psi)

Le non-respect de cette consigne pourrait entraîner des blessures graves, voire mortelles.

⚠️ AVERTISSEMENT

N'inversez pas le flux hydraulique car cela peut provoquer des problèmes de fonctionnement. Branchez le tuyau d'alimentation (pression) et le tuyau de retour (réservoir) sur les raccords correspondants de l'outil.

Le non-respect de cette mise en garde peut entraîner des blessures graves ou la mort.

1. Coupez la source d'alimentation.
H4802-3 et H4802-5 seulement : réglez le tiroir de commande conformément aux instructions de « Montage du Super Spool™ ».
2. Raccordez les tuyaux conformément aux instructions de « Raccordement des tuyaux ».

Fonctionnement
⚠️ AVERTISSEMENT


Danger de choc électrique :

Cet outil n'est pas isolé. Lorsque cet appareil est utilisé à proximité de lignes électriques sous tension :

- Utilisez exclusivement des tuyaux non conducteurs certifiés et un équipement de protection individuelle approprié.
- Sélectionnez et entretenez le liquide hydraulique conformément aux normes diélectriques minimales en vigueur.

Le non-respect de cette mise en garde peut entraîner des blessures graves ou la mort.

⚠️ AVERTISSEMENT


Risque d'injection sous-cutanée :

- Ne jamais utiliser les mains pour déterminer l'emplacement d'une fuite.
- Ne jamais tenir un tuyau ou un raccord de tuyau dans les mains lorsque le système hydraulique est pressurisé.
- Dépressuriser le système hydraulique avant d'en effectuer l'entretien.

Un jet d'huile sous pression peut facilement percer la peau et entraîner de graves blessures, la gangrène, voire la mort. En cas de blessure par un jet d'huile, consulter immédiatement un médecin.

⚠️ AVERTISSEMENT

Ne débranchez pas l'outil, les tuyaux ou les raccords alors que l'outil est en marche ou si le liquide hydraulique est chaud. Le liquide hydraulique chaud peut provoquer des brûlures graves.

⚠️ AVERTISSEMENT

Tenez fermement l'outil des deux mains en permanence. La perte de contrôle de l'outil peut provoquer des blessures graves.

Le non-respect de cette mise en garde peut entraîner des blessures graves ou la mort.

Fonctionnement (suite)

	⚠️ AVERTISSEMENT
	<p>Veiller à porter des lunettes de protection lors de l'utilisation ou de l'entretien de cet outil.</p> <p>Négliger de porter des lunettes de protection pourrait entraîner des blessures oculaires graves causées par la projection de débris ou d'huile hydraulique.</p>

	⚠️ AVERTISSEMENT
	<p>Portez une protection des pieds durant l'utilisation de cet outil.</p> <p>Le non-respect de cette mise en garde peut entraîner des blessures graves.</p>

	⚠️ AVERTISSEMENT
	<p>Portez une protection auditive durant l'utilisation de cet outil.</p> <p>L'exposition à long terme à des niveaux sonores élevés peut provoquer des dommages auditifs.</p>

- Démarrez la source d'alimentation.
Remarque : laissez la source d'alimentation en marche pendant quelques minutes pour chauffer le liquide hydraulique.
- Posez le pied de damage sur le matériau à compacter.
- Saisissez fermement le tube.

⚠️ ATTENTION
<p>Danger des vibrations :</p> <p>Exercez juste assez de pression pour exécuter la tâche. Une pression excessive sur la dame peut provoquer une gêne voire un engourdissement temporaire chez l'opérateur.</p>

- Mettez le tiroir de commande en position de marche (ON).
- Exercez une légère pression vers le bas.
Remarque : une pression excessive aurait peu d'effet sur la vitesse de compactage mais accélérerait grandement la fatigue de l'opérateur. Laissez la dame effectuer le travail.
- Une fois le damage terminé, mettez le tiroir de commande en position d'arrêt (OFF).

Entretien

⚠️ AVERTISSEMENT
<p>Veillez à ne pas changer les accessoires ni contrôler ou nettoyer l'outil alors qu'il est raccordé à une source d'énergie. Un démarrage accidentel peut provoquer des blessures graves.</p> <p>Le non-respect de cette mise en garde peut entraîner des blessures graves ou la mort.</p>

	⚠️ AVERTISSEMENT
	<p>Veiller à porter des lunettes de protection lors de l'utilisation ou de l'entretien de cet outil.</p> <p>Négliger de porter des lunettes de protection pourrait entraîner des blessures oculaires graves causées par la projection de débris ou d'huile hydraulique.</p>

⚠️ ATTENTION
<p>L'huile hydraulique peut provoquer une irritation de la peau.</p> <ul style="list-style-type: none"> Manipuler les tuyaux et l'outil avec précaution pour éviter un contact cutané avec l'huile hydraulique. En cas de contact cutané accidentel avec l'huile hydraulique, laver immédiatement la partie affectée pour enlever l'huile. <p>Le non-respect de ces consignes peut entraîner des blessures graves.</p>

Respecter ce programme d'entretien afin de maximiser la durée de vie de l'outil.

Remarque : Conserver toutes les décalcomanies dans un état propre et lisible et les remplacer au besoin.

Quotidien

- Essuyer toutes les surfaces de l'outil.
- S'assurer que les tuyaux hydrauliques et les raccords ne fuient pas, qu'ils ne sont ni fissurés, ni usés ni endommagés. Remplacer au besoin.
- Lorsque l'outil est débranché, couvrir les orifices hydrauliques avec des capuchons antipoussière.

Mensuel

- Inspecter soigneusement les tuyaux et les raccords hydrauliques en suivant les instructions de la publication 99930323, SAE J1273 (Tuyaux et assemblage de tuyaux).
- Vérifiez que le pied de damage ne présente pas d'éclat, de fissuration, etc. Remplacez-le s'il est endommagé.

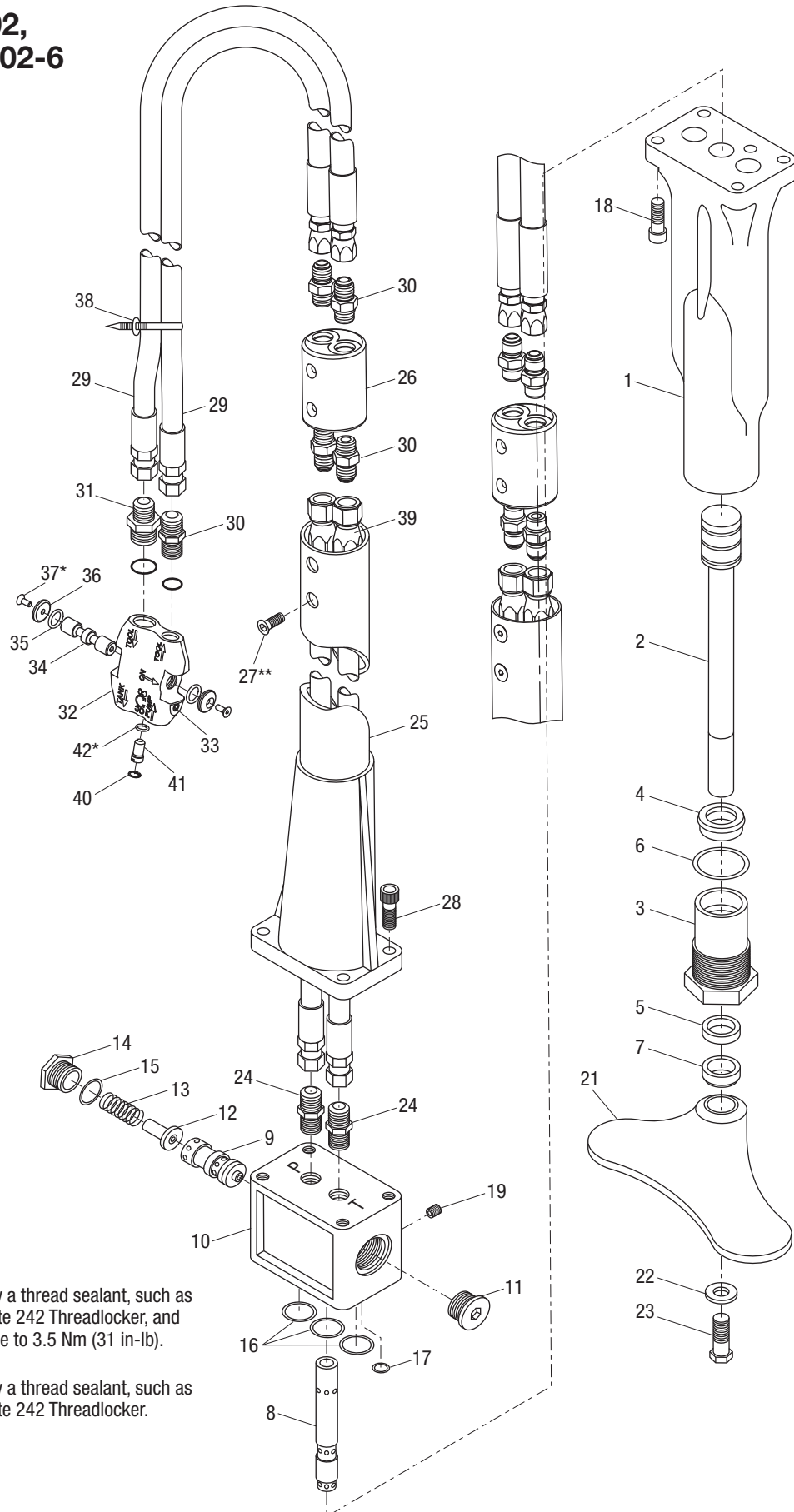
Dépannage

Avant d'utiliser le tableau de dépannage, il importe de déterminer si le problème provient de l'outil, des tuyaux ou de la source d'alimentation. Remplacer ces éléments par un outil, des tuyaux ou une source d'alimentation dont le bon fonctionnement a été vérifié afin de déterminer l'élément qui ne fonctionne pas.

Si l'outil a causé la panne, consulter le tableau de dépannage ci-dessous. Si le problème provient de la source d'alimentation, consulter la section de dépannage du manuel d'utilisation de la source d'alimentation.

Problème	Cause probable	Solution probable
L'outil ne fonctionne pas.	L'outil n'est pas raccordé correctement.	Raccordez l'outil correctement. Reportez-vous au « Raccordement des tuyaux » dans ce manuel.
	Le vérin est en bout de course, ce qui restreint le passage de liquide hydraulique.	Laissez tomber l'outil sur le pied de damage pour forcer l'écoulement du vérin vers le haut.
	Source d'alimentation inadaptée.	Vérifiez que la source d'alimentation est conforme au cahier des charges. Reportez-vous aux « Caractéristiques techniques » dans ce manuel.
	Niveau de liquide hydraulique insuffisant.	Contrôlez le niveau de liquide hydraulique. Contrôlez l'étanchéité du circuit.
	Liquide hydraulique de viscosité incorrecte.	Utilisez un liquide hydraulique de viscosité correcte. Reportez-vous aux « Caractéristiques techniques » dans ce manuel.
L'outil fonctionne lentement ou de façon irrégulière.	Liquide hydraulique froid.	Laissez le liquide chauffer jusqu'à sa température d'exploitation. Actionnez l'outil de façon intermittente pour raccourcir le temps de chauffage.
	Niveau de liquide hydraulique insuffisant.	Contrôlez le niveau de liquide hydraulique. Contrôlez l'étanchéité du circuit.
	Air dans le circuit hydraulique.	Reportez-vous aux instructions de purge d'air du circuit dans le mode d'emploi de la source d'alimentation.
	Liquide hydraulique de viscosité incorrecte.	Utilisez un liquide hydraulique de viscosité correcte. Reportez-vous aux « Caractéristiques techniques » dans ce manuel.

**Illustration—H4802,
H4802-1, and H4802-6**



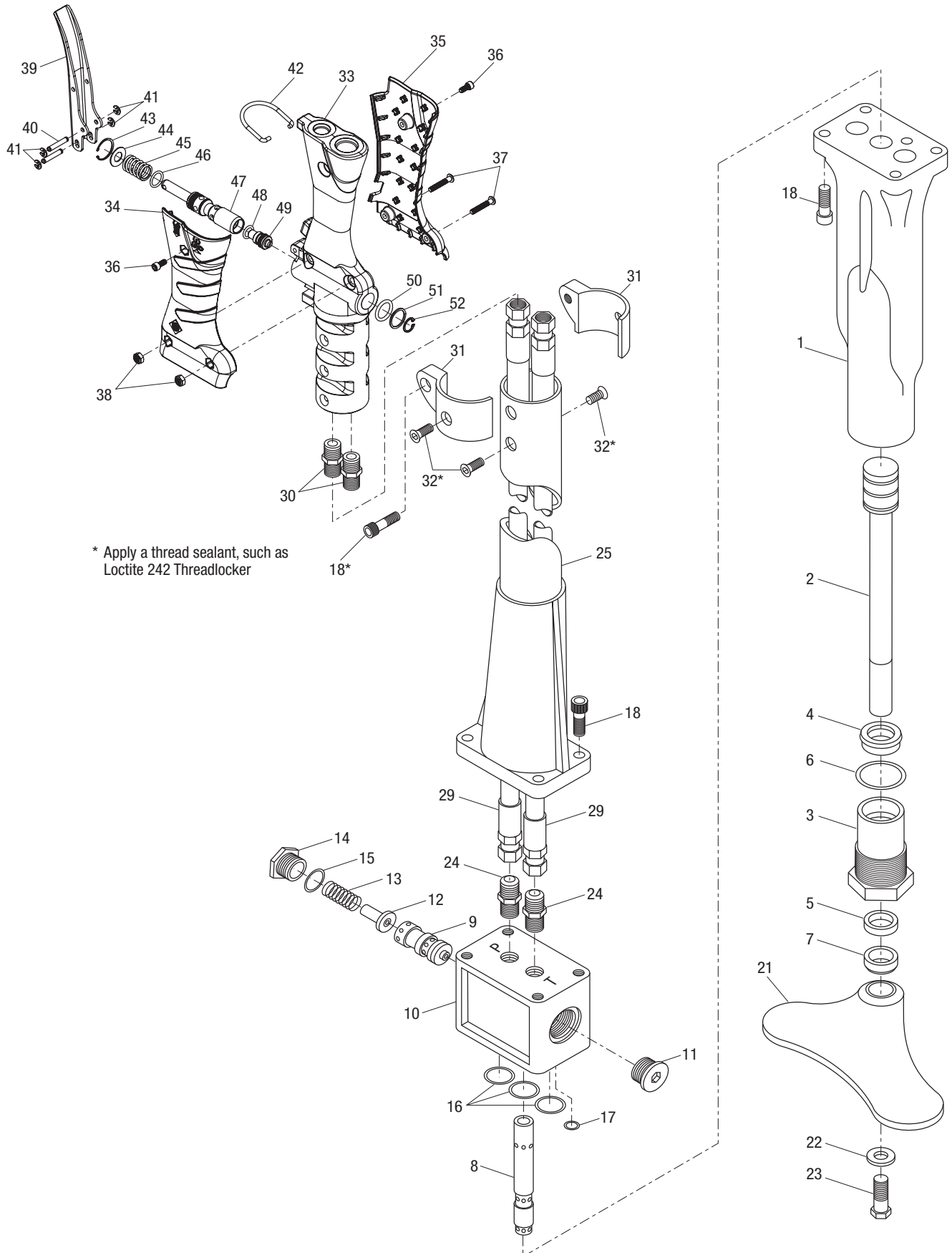
* Apply a thread sealant, such as Loctite 242 Threadlocker, and torque to 3.5 Nm (31 in-lb).

** Apply a thread sealant, such as Loctite 242 Threadlocker.

Parts List—H4802, H4802-1, and H4802-6

Key	UPC No. 78-3310-	Part No.	Description	Qty	Key	UPC No. 78-3310-	Part No.	Description	Qty
1	40293	50402932	Body, tamper	1	28			Screw, cap, 5/16–18 x 1.000 socket head	4
2	40180	50401803	Ram.....	1	29	48369	50483692	Hose, 3/8 x 56 with 9/16–18 JIC swivel at both ends	2
3	40377	50403771	Gland, packing (includes items 4–7).....	1	30	41413	50414133	Adapter, pipe, 9/16–18 UNF SAE O-ring boss x 9/16–18 M JIC (H4802 and H4802-1)	5
4*			Seal, U-cup, .750 x 1.250 x .375	1				Adapter, pipe, 9/16–18 UNF SAE O-ring boss x 9/16–18 M JIC (H4802-6)	4
5*			Seal, U-cup, .750 x 1.000 x .250	1	31	41422	50414223	Adapter, pipe, 9/16–18 M JIC x 3/4–16 UNF SAE O-ring boss (H4802 and H4802-1)	1
6*			O-ring, 1.475 x 1.711 x .118–90	1	32			Valve body, remote ON/OFF (H4802 and H4802-1)	1
7*			Wiper, rod, .750 x 1.125 x .281	1	33			Plug, pipe, 1/16 M NPT (H4802 and H4802-1)	1
8	40295	50402952	Shaft.....	1	34			Spool (H4802 and H4802-1)	1
9	40297	50402971	Spool.....	1	35*			O-ring, .562 x .750 x .093 (2-113) (H4802 and H4802-1)	2
10	40296	50402961	Body, valve.....	1	36			Button, spool end (H4802 and H4802-1)	2
11	42072	50420722	Plug, 7/8–14 UNF SAE O-ring boss, socket head, steel.....	1	37			Screw, cap, #10–24 x .500 flat head (H4802 and H4802-1)	2
12	40298	50402981	Stop, spool	1	38	41587	50415870	Ty, plastic	4
13	40299	50402991	Spring, compression, .330 x .500 x 1.250	1	39	40400	50404004	Hose, 5/16 x 38.75 with 9/16–18 UNF JIC swivel at both ends (H4802 and H4802-6)	2
14	40300	50403005	Plug, 7/8–14 UNF SAE O-ring boss, hex head	1		48368	50483684	Hose, 5/16 x 68.75 with 9/16–18 UNF JIC swivel at both ends (H4802-1)	2
15*			O-ring, .755 x .949 x .097–90	1	40			Snap ring, internal, .461 groove dia.....	1
16*			O-ring, .750 x .937 x .094–70	3	41			Spool, OC/CC selection	1
17*			O-ring, .375 x .500 x .062–70	1	42*			O-ring, .364 I.D. x .070 (2-012)	1
18			Screw, cap, 5/16–18 x 1.000 socket head	4	Repair Kits				
21	40301	50403014	Foot, tamper	1			52057849	Control valve assembly (H4802 and H4802-1 only; includes items 32–37 and 40–42)	
22			Washer, flat, .375 x .875 x .075.....	1	*	40317	50403173	Packing kit (includes items marked with an asterisk)	
23			Screw, cap, 5/16–24 x 1.250 hex head	1					
24	41341	50413413	Adapter, 1/4 M NPT x 9/16–18 M JIC (H4802, H4802-1, and H4802-6)	2					
25	49536G	50495364	Tube, handle (H4802 and H4802-6).....	1					
	40358	50403582	Tube, handle (H4802-1).....	1					
26	48303	50483030	Adapter	1					
27			Screw, machine, 1/4–20 x .50 oval head (H4802 serial codes FZP and FKA03499 and below, H4802-1 serial codes FZR and FKM00019 and below, H4802-6 serial codes FZT and FKF01499 and below).....	4					
			Screw, cap, 1/4–20 x .75 flat head (H4802 serial code FKA03500 and above, H4802-1 serial code FKM00020 and above, and H4802-6 serial code FKF01500 and above).....	4					

Illustration—H4802-3 and H4802-5



Parts List—H4802-3 and H4802-5

Key	UPC No. 78-3310-	Part No.	Description	Qty
1	40293	50402932	Body, tamper	1
2	40180	50401803	Ram.....	1
3	40377	50403771	Gland, packing (includes items 4-7).....	1
4*			Seal, U-cup, .750 x 1.250 x .375	1
5*			Seal, U-cup, .750 x 1.000 x .250	1
6*			O-ring, 1.475 x 1.711 x .118-90	1
7*			Wiper, rod, .750 x 1.125 x .281	1
8	40295	50402952	Shaft.....	1
9	40297	50402971	Spool.....	1
10	40296	50402961	Body, valve.....	1
11	42072	50420722	Plug, 7/8-14 UNF SAE O-ring boss, socket head, steel.....	1
12	40298	50402981	Stop, spool	1
13	40299	50402991	Spring, compression, .330 x .500 x 1.250	1
14	40300	50403005	Plug, 7/8-14 UNF SAE O-ring boss, hex head	1
15*			O-ring, .755 x .949 x .097-90	1
16*			O-ring, .750 x .937 x .094-70	3
17*			O-ring, .375 x .500 x .062-70	1
18			Screw, cap, 5/16-18 x 1.000 socket head	9
21	40301	50403014	Foot, kidney-shaped.....	1
22			Washer, flat, .375 x .875 x .075.....	1
23			Screw, cap, 5/16-24 x 1.250 hex head	1
24	41341	50413413	Adapter, 1/4 M NPT x 9/16-18 M JIC...2	
25	49536G	50495364	Tube, handle (H4802-3).....	1
	40386	50403861	Tube, handle (H4802-5).....	1
29	40400	50404004	Hose, 3/8 x 38.75 with 9/16-18 JIC swivel at both ends (H4802-3).....2	
	40002	50400025	Hose, 3/8 x 30.00 with 9/16-18 JIC swivel at both ends (H4802-5).....2	

Key	UPC No. 78-3310-	Part No.	Description	Qty
30	41413	50414133	Adapter, pipe, 9/16-18 UNF SAE O-ring boss x 9/16-18 M JIC.....2	
31	40374	50403742	Guard, two-piece	1
32			Screw, cap, 1/4-20 x .750 flat head socket	6
33			Handle.....	1
34			Grip, left	1
35			Grip, right	1
36			Screw, #8-32 x .375 soc hd cap	2
37			Screw, #8-32 x 1 btn hd cap	2
38			Nut, #8-32 lock	2
39			Trigger	1
40	42547	50425471	Pin, pivot.....	2
41	42827	50428270	Retaining ring	4
42			Bail	1
43	41648	50416480	Retaining ring	1
44	48310	50483102	Washer, Ø.76 x .73 x .03.....	1
45	00399	52060673	Spring, compression.....	1
46*			O-ring, .500 x .625 x .062	1
47	00380	52060643	Spool.....	1
48*			O-ring, .375 x .500 x .062	1
49	00917	52063610	Spool, OC/CC.....	1
50*			O-ring, .612 x .818 x .103	1
51*			Back-up ring	1
52			Retaining ring.....	1

Repair Kits

*	41120	50411204	Packing kit (includes items marked with an asterisk)
	07230	52081225	Valve unit (includes items 33-52)
	06613	52079544	Grip kit (includes items 34-38)