


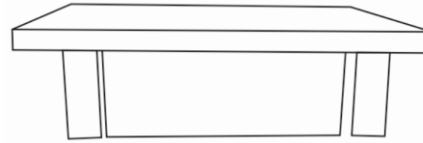


| | |
|---|----------------------------------|
|  | Long Allen Screws – 8 Pcs |
|  | Allen Screws – 4 Pcs |
|  | Allen Key |

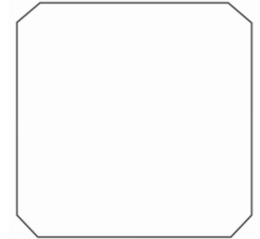
Assembly Instructions Lillian Marble Tea Table WHT/Natural- 1



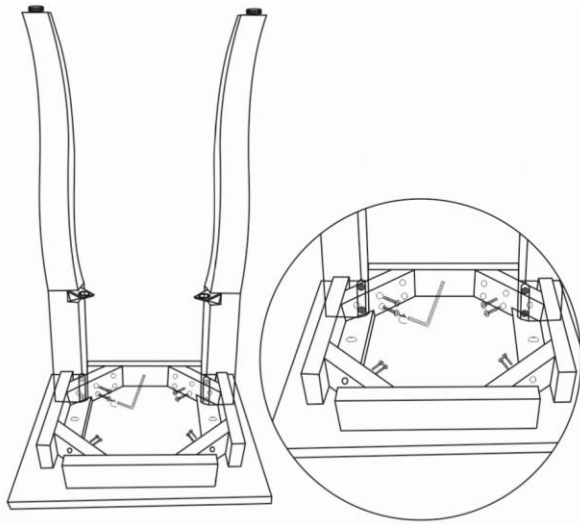
Leg – 4 Pcs



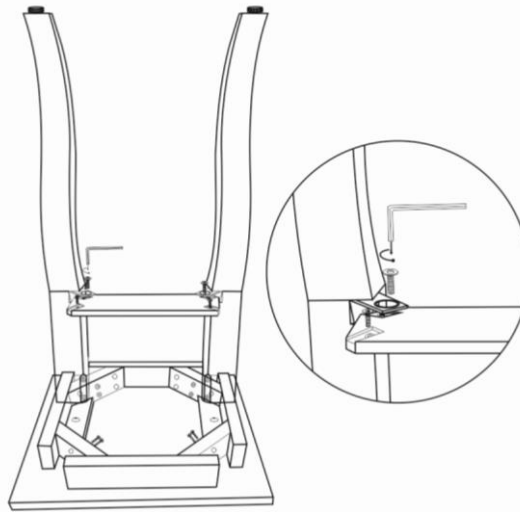
Marble Top – 1 Pc



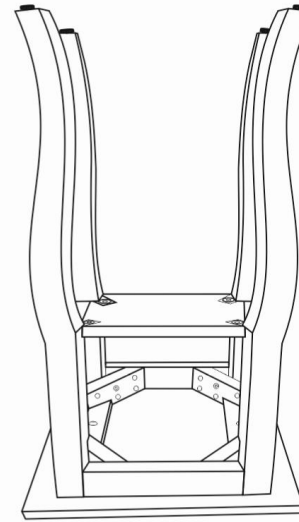
Wood Plank – 1 Pc



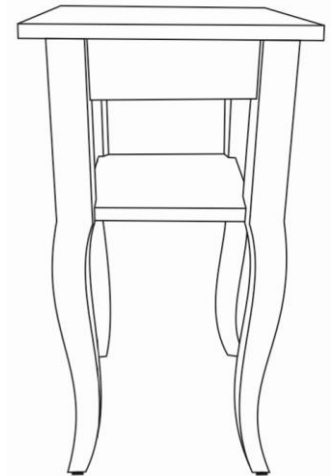
Please place the marble top on a protective surface to avoid scuffing and secure 2 legs with the help of allen screws, screws first being partially fastened



After Securing both legs, secure the wood plank with allen screws as shown in above picture and accordingly secure rest 2 legs with wood plank



fully fastened once all screws are placed.



Assembled