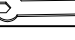
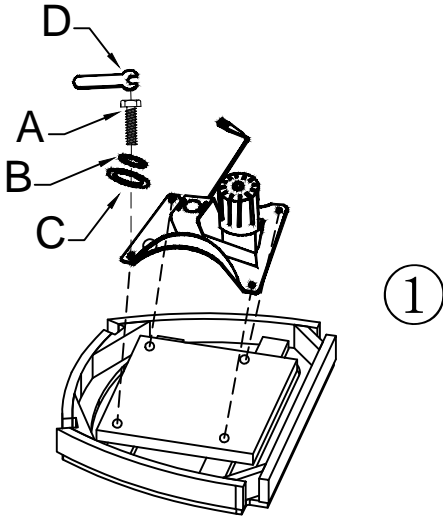


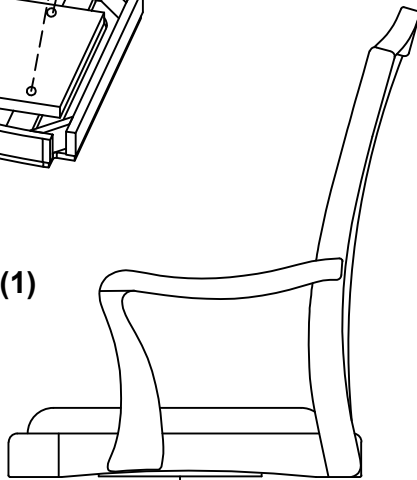
# HOOKER FURNITURE CORPORATION ASSEMBLY INSTRUCTION

#281-30-275

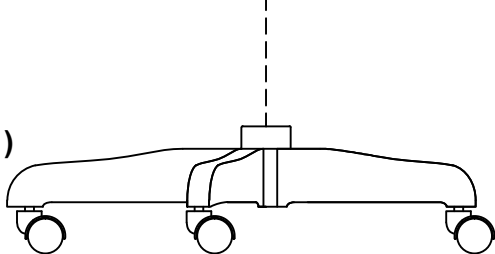
NO.	HARDWARE LIST			QTY
A	Bolt		Ø5/16"×1"	4PCS
B	Washer		Ø5/16"×Ø19mm	4PCS
C	Spring Washer		Ø5/16"×Ø12	4PCS
D	Allen Wrench		12mm	1PC



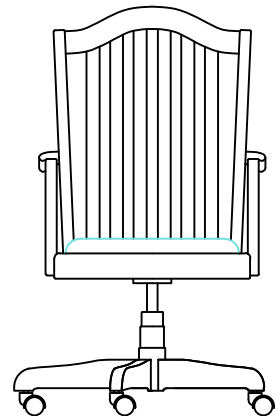
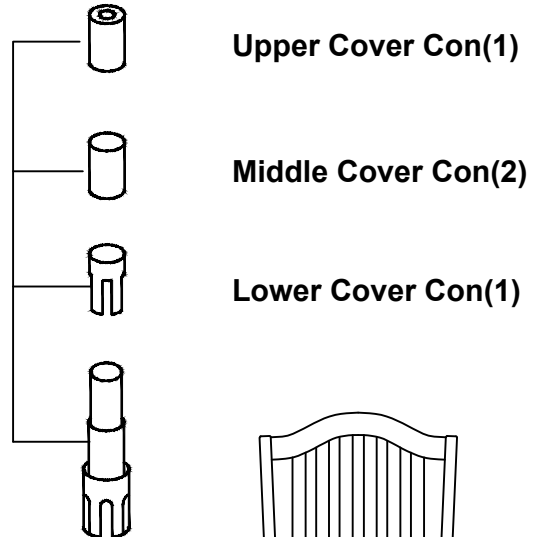
Chair Body (1)



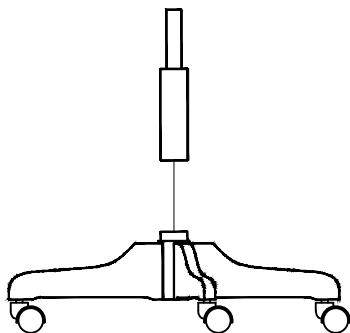
Base(1)



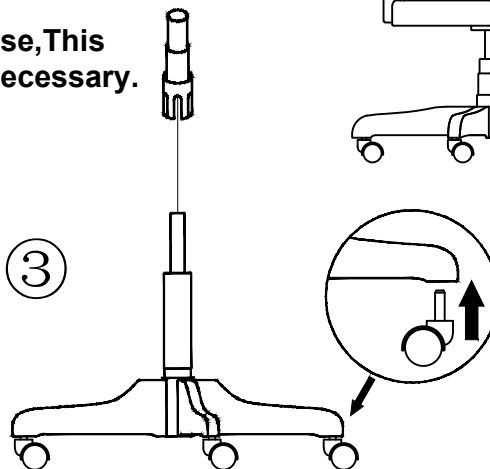
Insert the Pneumatic Cylinder Into the Base, This Is a taper fit no mechanical fastening is necessary.



2

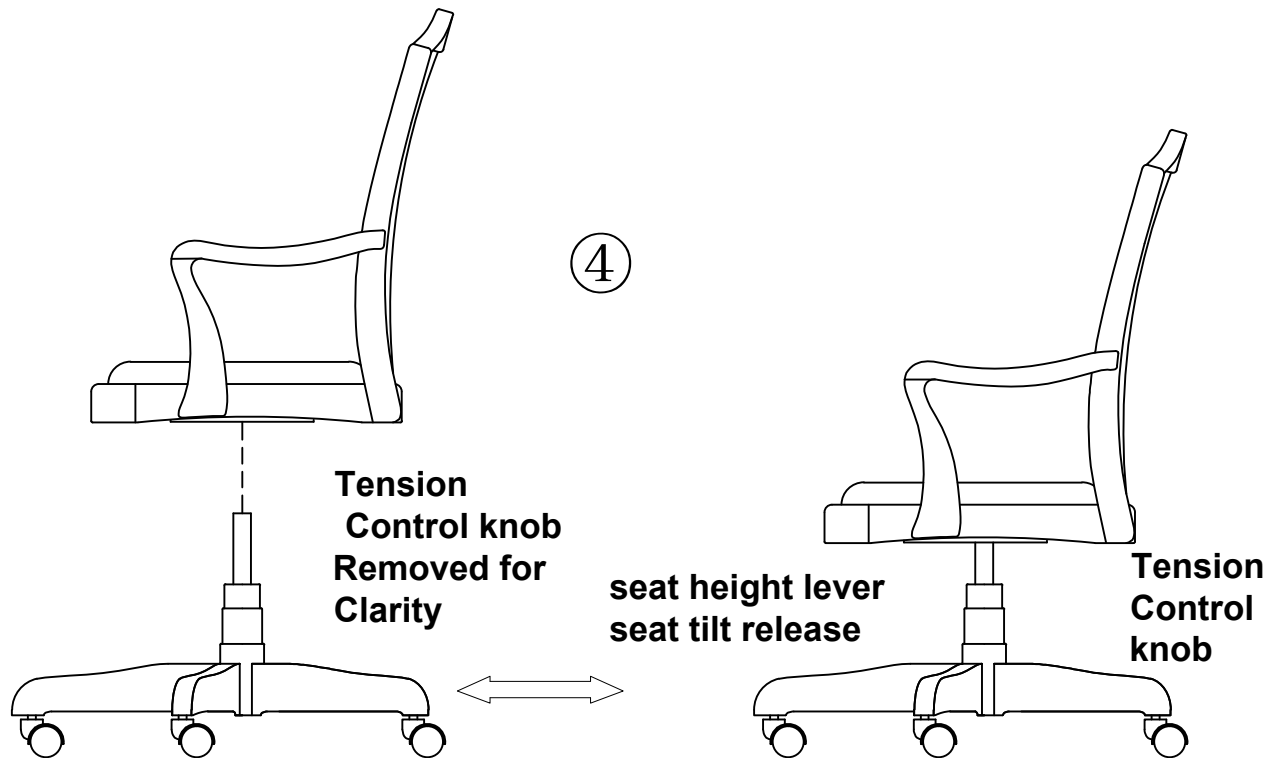


3



Place the cover casters over the Cylinder, as shown

**Place the chair body onto the cylinder.No mechanical fastening is necessary because this is a taper fit .Now sit in the chair.This will firmly secure the taper fit.**



**The chair features two Adjustments to customize your chair.  
Seat Height: The seat should be adjusted so that your feet are comfortably flat on the floor and you feel no pressure under your thighs.**

**To lower the seat: While seated roll the seat height lever.**

**To raise the seat: Lift your weight slightly from the chair and raise the seat lever.the seat height will lock into place when you release the lever.**

**Tilt tension: The ideal tilt tension allows you to lean back with minimum effort while providing enough resistance to afford comfortable back support.**

**To reduce tension: Turn the tilt control knob clockwise.**

**To increase tension: Turn the tilt control knob counter clockwise.**

**To release tilt: Pull out the lever.**

**To lock tilt: Push the lever.**

**To Retighten the bolts of casters about every two months.**