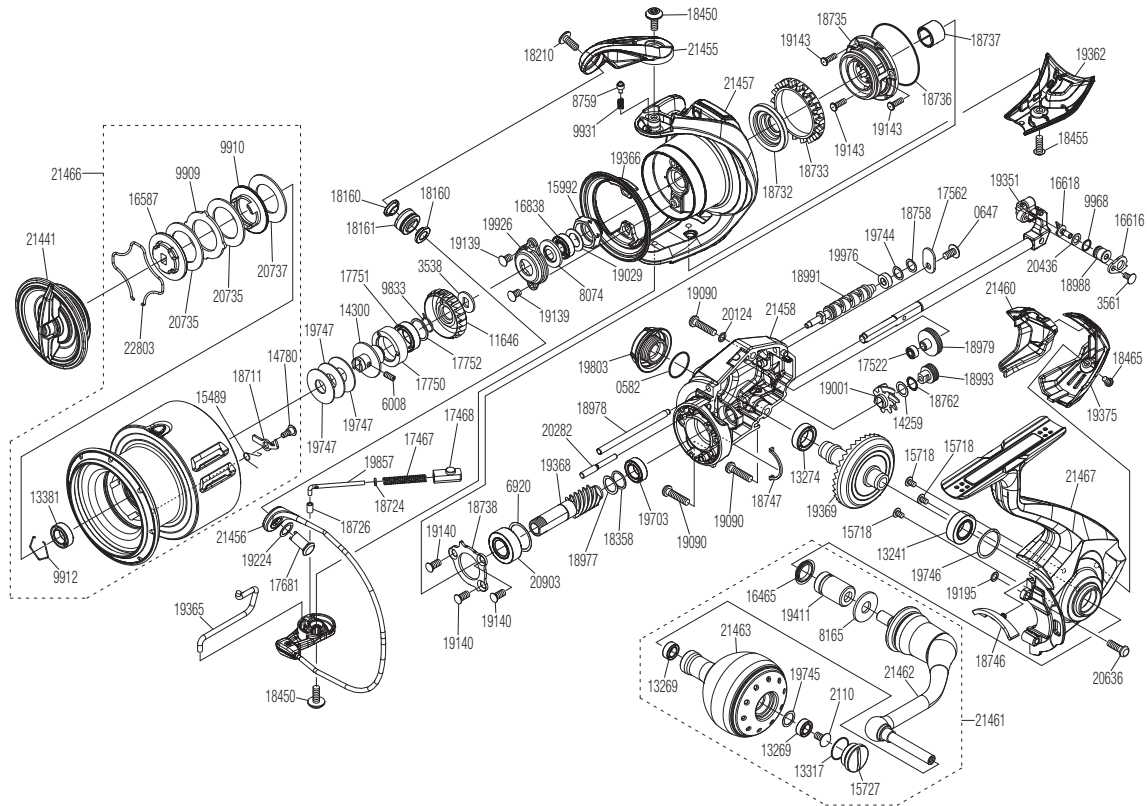


SHIMANO

TWIN POWER XD



TPXD-C5000XG



Please note that the number of adjusting washers may not always be the same as shown in the exploded views.

(51SF47H049X)

Please note that your actions take full responsibility when you take it apart.

#	Part No.	Description	#	Part No.	Description	#	Part No.	Description
0582	108WH	O Ring	18160	1020L	Collar	19703	104JQ	Ball Bearing
0647	10QG5	Screw	18161	101KE	Line Roller Set	19744	100XZ	Washer
2110	103E9	Screw	18210	10TLJ	Screw	19745	104FH	Washer
3538	103NX	Spool Support A	18358	10GD8	Spacer	19746	101AY	Washer
3561	10MT4	Screw	18450	10SN9	Screw	19747	101AV	Washer
6008	10PN2	Set Screw	18455	10DT7	Screw	19803	10RSK	Handle Screw Cap
6920	107JT	Washer	18465	10EF0	Screw	19857	10SAN	Bail Spring Guide
8074	107F2	Bearing Water Proof	18711	10TJX	Drag Click Screw	19926	1076N	Nut Lock Plate
8165	10FJ6	Washer	18724	101D9	Spring Guide A Support Collar	19976	1009C	Bushing
8759	106UX	Click Pin	18726	10DKC	Bail Spring Guide A Bush	20124	10J48	Washer
9833	107V2	Ratchet Spring	18732	101D5	Rotor Ring	20282	10DYJ	Idle Gear Shaft
9909	10BCP	Eared Washer	18733	10DK7	Friction Ring	20436	100CW	Washer
9910	10B9D	Key Washer A	18735	10S2L	Roller Clutch Assembly	20636	10M2A	Screw
9912	10GEW	Bearing Retainer	18736	10DKD	Roller Clutch Case Seal	20735	10E66	Drag Washer A
9931	10CGZ	Click Spring	18737	10DJY	Roller Clutch Inner	20737	10E6E	Drag Washer B
9968	108W9	O Ring	18738	10DJZ	Bearing Retainer	20903	101WE	Ball Bearing
11646	107PS	Drag Click Ratchet	18746	10DJK	Bail Trip Strike	21441	10E8C	Drag Knob Assembly
13241	104JD	Ball Bearing	18747	10DKA	Flange Water Proof	21455	10SC5	Bail Arm
13269	104VX	Ball Bearing	18758	10TK0	Washer	21456	10QY4	Bail Assembly
13274	104PP	Ball Bearing	18762	10TJT	Washer	21457	10R43	Rotor Assembly
13317	10LAB	O Ring	18977	10053	Washer	21458	10SC6	Body
13381	104JT	Ball Bearing	18978	1006F	Oscillating Guide A	21460	10SN2	Rear Shield
14259	10G6C	Washer	18979	10074	Idle Gear	21461	10DSE	Handle Assembly
14300	10LTS	Spool Bearing Bushing	18988	1005H	Oscillating Slider Bushing	21462	10QY6	Handle Shank Assembly
14780	10A6F	Screw	18991	1006E	Worm Shaft	21463	10QY5	Handle Knob Assembly
15489	10BQE	Drag Click Spring	18993	10SM7	Idle Gear (Small)	21466	10DSF	Spool Assembly
15718	1055G	Screw	19001	1006V	Idle Gear (Large)	21467	10R60	Side Cover Assembly
15727	10B2B	Handle Knob Seal	19029	101M1	Washer	22803	145QR	Retainer
15992	1080X	Rotor Nut	19090	100YN	Screw			
16465	10PXU	Handle Shaft Seal	19139	10T1G	Screw			
16587	10QBY	Key Washer B	19140	10TGX	Screw			
16616	10HAH	Oscillating Pawl Cover	19143	101LH	Screw			
16618	106VM	Oscillating Pawl	19195	10GA7	Washer			
16838	103B3	Main Shaft Spacer Assembly	19224	1002S	Washer			
17467	10R2P	Bail Spring	19351	10RJK	Main Shaft Assembly			
17468	10R2E	Bail Spring Guide B	19362	10DTR	Bail Hold Support Guard			
17522	106M8	Bushing	19365	10E0C	Bail Trip Lever			
17562	10ATC	Worm Shaft Retainer	19366	10DTJ	Rotor Brim			
17681	10TPC	Line Roller Support	19368	10E01	Pinion Gear			
17750	10TQH	Bearing Housing	19369	10E0L	Drive Gear			
17751	10EX8	Ball Bearing	19375	10132	Rear Protector			
17752	10GHN	Washer	19411	10E08	Handle Shaft Cover B			