

INSTALLATION INSTRUCTIONS

P23052-CR, P23052-LV, P23122-LV,
P23222-RK, P23222-LV, P24022-CL,
P24022-CR, P24022-KL, P24022-RB,
P24022-RL, P24122-CR, P24122-LV,
P24129-CR, P24129-LV, P24421-CR,
P24421-LV, P24422-CR, P24422-LV,
P24522-LV, P24522-TT, P24622-CR,
P24622-LV, P24722-LV

INSTALLATION INSTRUCTIONS

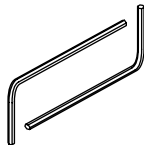
THANK YOU FOR CHOOSING KALLISTA

We appreciate your commitment to KALLISTA quality products. Please take a moment to review this manual before you install your KALLISTA product. If you encounter any installation or performance problems, please do not hesitate to contact us at the phone number listed at the bottom of the page.

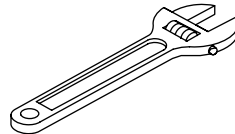
BEFORE YOU BEGIN

- Please read all instructions before you begin.
- Prior to installation, unpack the valve trim and inspect it for damage. Return it to the carton until installation.
- Observe all local plumbing and building codes.
- Shut off the water supply.
- The appearance of your product may differ from what is shown in these instructions, however, the installation procedure is the same.
- KALLISTA reserves the right to make revisions in the design of products without notice, as specified in the Price Book.

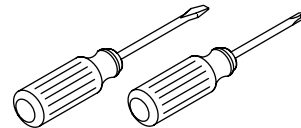
TOOLS AND MATERIALS



Assorted
Hex Wrenches



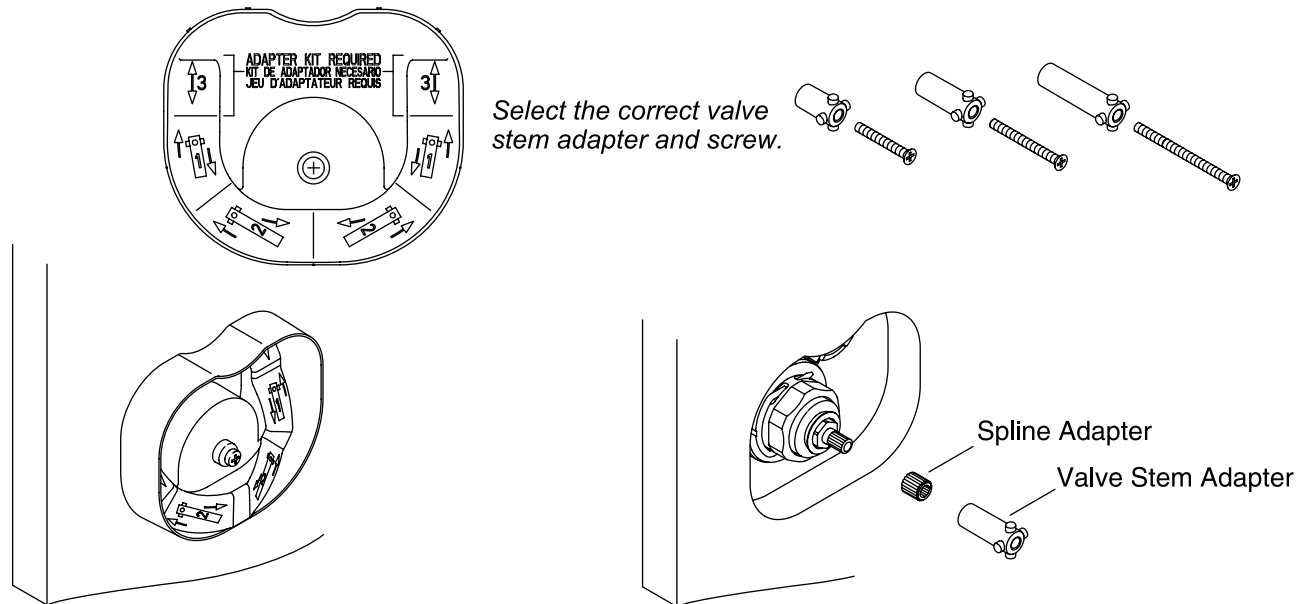
Adjustable
Wrench



Assorted
Screwdrivers

INSTALLATION INSTRUCTIONS

1. INSTALL THE VALVE STEM ADAPTER

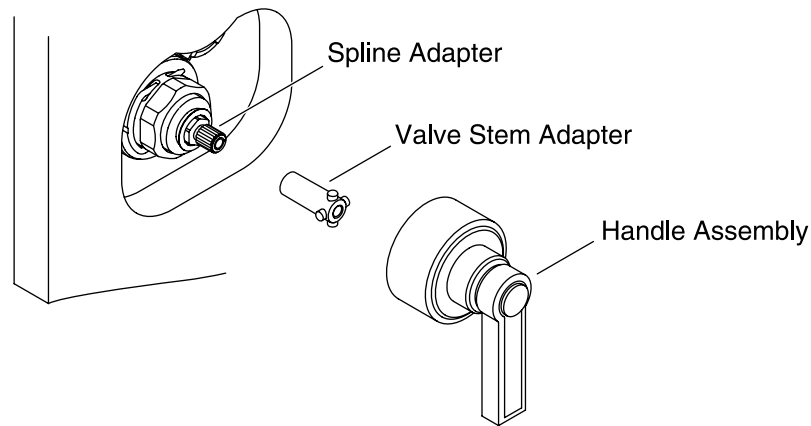


NOTE: Check the finished wall surface as related to the graphics on the plaster guard.

- Select the correct length valve stem adapter and screw for your application. Refer to the information stamped on the plaster guard to verify the wall thickness.
- Thin wall - 3/16" (5 mm) to 9/16" (14 mm):** Use the 7/8" (22 mm) (short) valve stem adapter, stamped "3" on the plaster guard, and the 1-3/8" (35 mm) screw.
- Standard wall - 9/16" (14 mm) to 1-1/16" (27 mm):** Use the 1-3/8" (35 mm) (medium) valve stem adapter, stamped "1" on the plaster guard, and the 1-3/4" (44 mm) screw.
- Thick wall - 1-1/16" (27 mm) to 1-9/16" (40 mm):** Use the 1-7/8" (48 mm) (long) valve stem adapter, stamped "2" on the plaster guard, and the 2-3/8" (60 mm) screw.
- Remove and discard the plaster guard from the valve.
- Place the spline adapter over the valve stem.
- Set the valve stem adapter over the spline adapter. **Do not completely press or screw the valve stem adapter into place until instructed to do so.**

INSTALLATION INSTRUCTIONS

2. ADJUST THE HANDLE ASSEMBLY



- Ensure the valve stem adapter is lightly placed over the spline adapter.
- Place the handle assembly over the valve stem adapter.
- Turn the handle clockwise until the stop is contacted. The valve will be in the full cold position. The handle should be between 9 and 10 o'clock positions. To adjust the position of the handle, refer to the alignment instructions below.
- Rotate the handle assembly counterclockwise, through the detent, then to the high temperature limit stop.
- Verify that the handle assembly is between the 3 and 4 o'clock position.
- Rotate back to the 6 o'clock position.
- Remove the handle assembly and set aside.

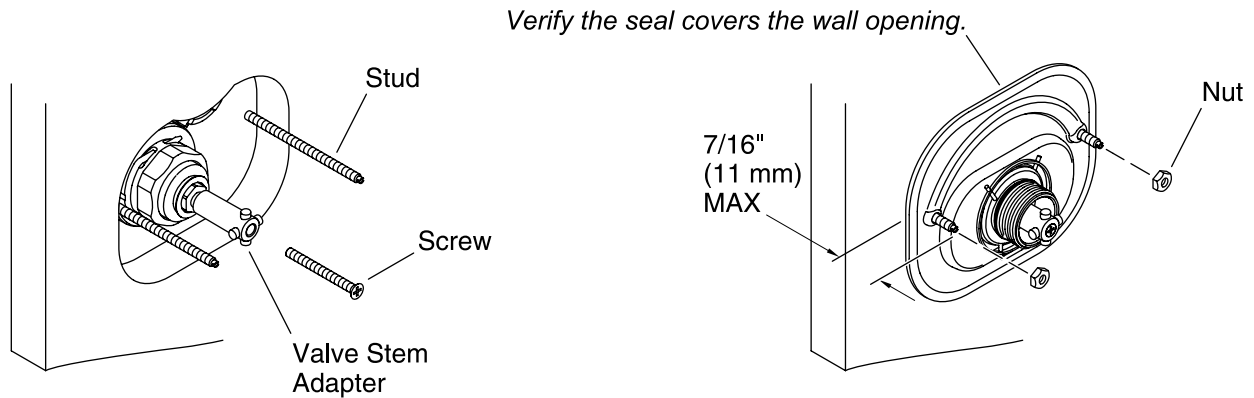
Handle Alignment Adjustments

NOTE: The spline adapter allows fine adjustment of the handle alignment.

- Remove the handle assembly and the valve stem adapter.
- Reposition the spline adapter.
- Reinstall the handle assembly and the valve stem adapter.
- Check the alignment.
- Repeat until the handle alignment is satisfactory.

INSTALLATION INSTRUCTIONS

3. INSTALL THE FRONT PLATE



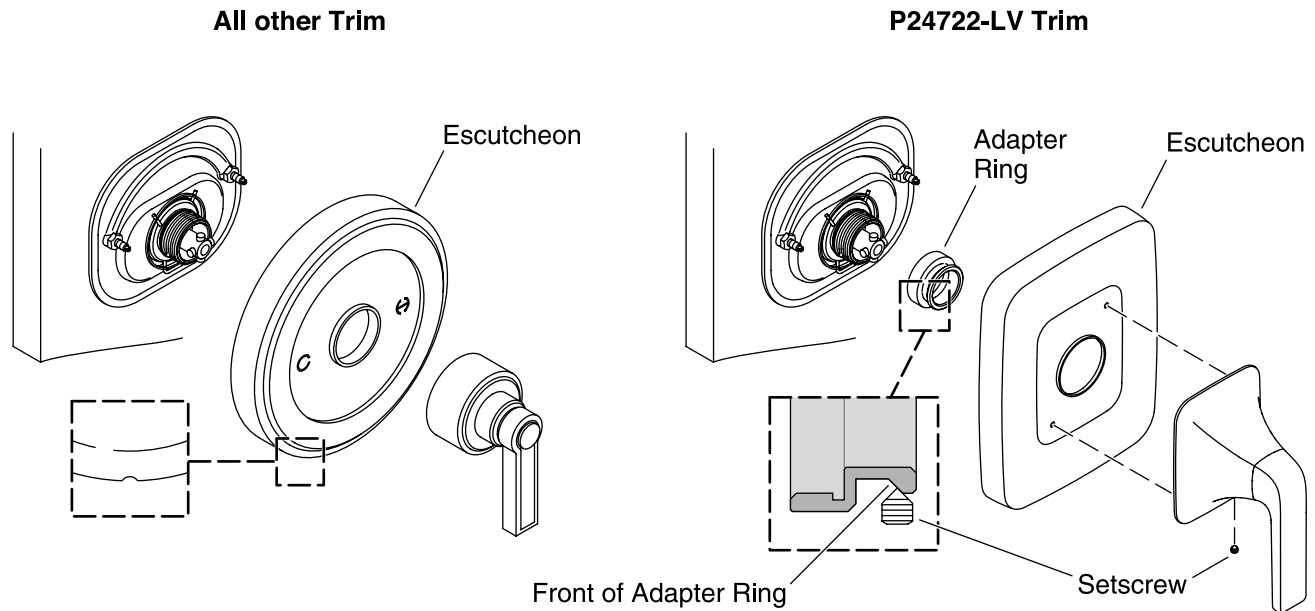
- Ensure the valve stem adapter is firmly pressed onto the valve stem.
- Secure the valve stem adapter to the valve with the correct length screw, as selected in the "Install the Valve Stem Adapter" section of this guide.
- Thread the two studs into the threaded holes of the valve.
- Place the front plate assembly over the studs.
- Thread the nuts onto the studs to secure the front plate assembly to the wall. Do not overtighten the nuts.

NOTE: If the front plate assembly does not lay flat on the wall surface, loosen the nuts and adjust the threaded studs, then retighten the nuts. Once properly installed, the threaded studs must not protrude more than 7/16" (11 mm) through the front plate assembly.

- Visually inspect the front plate assembly to ensure the foam seal is completely covering the wall opening. If not, stop the installation and repair the wall opening.

INSTALLATION INSTRUCTIONS

4. INSTALL THE TRIM



NOTE: If installing the P24722-LV trim, proceed to the “For P24722-LV” section below.

- Place the escutcheon on the wall with the drain notch located downward in the 6 o'clock position.
- Thread the handle assembly onto the hub of the front plate assembly to secure the escutcheon in place. A lever handle should point downward in the 6 o'clock position.

NOTE: If the handle does not engage the valve or the escutcheon does not tighten to the wall, replace the valve stem adapter with an adapter of appropriate length.

For P24722-LV

- Thread the adapter ring onto the hub of the front plate assembly.
- Place the escutcheon on the wall with the drain notch located downward in the 6 o'clock position.
- Place the handle assembly against the escutcheon by lining up the pins in the handle assembly with the holes in the escutcheon. Make sure the handle is pointing down to the 6 o'clock position and the setscrew hole is facing down.
- Verify the setscrew will contact the front angle of the adapter ring. Thread the adapter ring in or out until appropriate setscrew contact is achieved.
- Tighten the setscrew with a hex wrench. Make sure the handle assembly is tight against the escutcheon.