

FEATURES & SPECIFICATIONS

INTENDED USE — The XIB LED High Bay is designed and engineered to withstand medium-duty industrial environments. XIB is a fully sealed, wet location high bay in a linear form factor designed for warehousing, large indoor spaces, natatoriums, and gymnasiums as well as demanding environments such as manufacturing, service bays, packaging, ice rinks, under canopy, cold storage, and food service. The XIB is durable and powerful, but maintains an aesthetic appeal that makes it suitable for even retail and commercial applications. Ideal one-for-one replacement of conventional HID and fluorescent high bay systems. **Certain airborne contaminants can diminish the integrity of acrylic and/or polycarbonate.** [Click here for Acrylic-Polycarbonate Compatibility table for suitable uses.](#)

Certain airborne contaminants may adversely affect the functioning of LEDs and other electronic components, depending on various factors such as concentrations of the contaminants, ventilation, and temperature at the end-user location. [Click here for a list of substances that may not be suitable for interaction with LEDs and other electronic components.](#)

CONSTRUCTION — Rugged die-cast aluminum housing provides durability and corrosion resistance, IK ratings page 7. Single-piece housing provides rigidity and reduces potential for dust and water ingress. Silicone gaskets seal the electrical and optical compartments from dust and moisture, maintaining an IP65 rating with all internal components including integrated sensors. Wire guard attachment points are cast into luminaire housing.

Finish: Super durable TGIC thermoset powder coat finish provides 1,500 hours salt/fog rating.

Hardware provided is 410SS, mid-grade stainless steel which provides some corrosion resistance to chemicals, food, water and air.

OPTICS — Various lens options available including Acrylic or Glass for more stringent applications involving airborne contaminants or chemical solvents. Lens finishes available in Clear for maximum efficiency or Frosted to breakup line of sight to LEDs and reduce glare. Narrow, Medium, and Wide distributions available to meet horizontal and vertical illumination requirements. Narrow and Wide distributions molded into fresnel lens. The visually comfortable lens option is available for more aesthetic applications. Frosted Glass is recommended as standard. Injection-molded acrylic lenses provide high-impact resistance comparable to DR. Lenses resist breaking, yellowing, or becoming brittle over time. See chart on page 7 for IK ratings.

ELECTRICAL — Lumen Maintenance: L91 at 60,000 hours, L86 at 100,000 hours.

Full light output at 55°C. Luminaire utilizes a 90° case temperature driver for maximum life at high temperatures.

THD < 10% and PF > 90.

Standard Luminaire Surge Protection Level: Designed to withstand up to 10kV/5kA per ANSI C82.77-5-2015.

Available as 120-277V or 347-480V input.

0-10V dimming standard for a dimming range of 100% to 10%.

WIRELESS NETWORKING — nLight® AIR is the ideal solution for retrofit or new construction spaces where adding additional wiring can be labor intensive. nLight AIR available with or without an integral sensor. Integrated smart sensors or dimming and switching modules must be part of each luminaire in the nLight AIR network, which can be grouped to control multiple luminaires. The granularity of control with the digital PIR occupancy detection and daylight sensing makes this a great solution for any application, allowing maximization of energy savings. Integral sensors are also IP65 / Wet Location to maintain full rating of fixture. Additional side mount sensor options are available as accessories with mounting adapter kits (ordered separately).

INSTALLATION — Standard 3/4 inch NPS threaded hub centered on luminaire. Suitable for suspension by pendant (single monopoint), chain, or cable mounting with appropriate mounting accessories. Suitable for surface mount using compatible surface or yoke mount bracket (accessory ordered separately).

To maintain ambient listing, fixture should be mounted at a minimum plenum height of 12".

See accessories for available options.

LISTINGS — CSA certified to US and Canadian safety standards. U.S. Patent No. D921956. Wet Location listed. IP65 rated. Suitable for ambient temperatures from -40°F (-40°C) to 131°F (55°C) when suspended 12" from ceiling. NSF splash zone 2, meets FDA/USDA guidelines with acrylic lenses only.

The Bluetooth® word mark and logos are registered trademarks owned by Bluetooth SIG, Inc. and any use of such marks by Acuity Brands is under license. Other trademarks and trade names are those of their respective owners.

DesignLights Consortium® (DLC) qualified product. Not all versions of this product may be DLC qualified. Please check the DLC Qualified Products List at www.designlights.org to confirm which versions are qualified.

BUY AMERICAN ACT — Product with the BAA option is assembled in the USA and meets the Buy America(n) government procurement requirements under FAR, DFARS and DOT regulations. Please refer to www.acuitybrands.com/buy-american for additional information.

WARRANTY — 5-year limited warranty. This is the only warranty provided and no other statements in this specification sheet create any warranty of any kind. All other express and implied warranties are disclaimed. Complete warranty terms located at: www.acuitybrands.com/support/warranty/terms-and-conditions

Note: Actual performance may differ as a result of end-user environment and application. All values are design or typical values, measured under laboratory conditions at 25 °C. Specifications subject to change without notice.

Catalog Number
Notes
Type

LED High Bay

XIB

I-BEAM® LED
IP65, WET LOCATION HIGH BAY



Embed nLight controls today. Prepare for tomorrow.

Now

- User-friendly install
- Enhanced energy savings
- Code compliance

Tomorrow

- Scalability
- Space configuration
- Future-ready

A+ Capable Luminaire

This item is an A+ capable luminaire, which has been designed and tested to provide consistent color appearance and out-of-the-box control compatibility with simple commissioning.

- All configurations of this luminaire meet the Acuity Brands' specification for chromatic consistency
- This luminaire is part of an A+ Certified solution for nLight® control networks marked by a **shaded background***

To learn more about A+, visit www.acuitybrands.com/aplus.

*See ordering tree for details



A+ Capable options indicated by this color background.

ORDERING INFORMATION

Lead times will vary depending on options selected. Consult with your sales representative.

Example: XIB L24 2400LM FRGL MVOLT GZ10 40K 80CRI SBG6 ADC BTP DWHXD

Series	Fixture Length	Nominal lumens	Lens	Voltage	Driver	Color temperature	Coloring rendering index
XIB	L24 24"	12000LM 12,000 lumens	FRGL Frosted glass ‡	MVOLT 120-277, 50/60hz	GZ10 0-10V dimming	30K 3000 K	70CRI 70 CRI
		15000LM 15,000 lumens	GL Clear glass ‡	HVOLT 347-480V, 50/60hz ‡		35K 3500 K	80CRI 80 CRI
		18000LM 18,000 lumens	AFMD Frosted acrylic, medium distribution			40K 4000 K	90CRI 90 CRI
		24000LM 24,000 lumens	ACMD Clear acrylic, medium distribution			50K 5000 K	
		30000LM 30,000 lumens					
	L48 48" ‡	24000LM 24,000 lumens	ATND Textured acrylic, narrow distribution	120 120V			
		30000LM 30,000 lumens	ATWD Textured acrylic, wide distribution	208 208V			
		36000LM 36,000 lumens		240 240V			
		36000LM 36,000 lumens		277 277V			
		42000LM 42,000 lumens	AVCL Visually comfortable acrylic	347 347V ‡			
			480 480V ‡				

Options	Finish
<p>E15WMCPC Self-diagnostics battery pack, MVOLT, 15W, constant power, certified in CA title 20 MAEDBS ‡</p> <p>IE18WCPHECW Emergency battery pack, 18W Constant Power, Cold weather, Certified in CA Title 20 MAEDBS ‡</p> <p>ETS Generator transfer device ‡</p> <p>OCS RELOC® OnePass® selectable cable 6' installed. De-rates luminaire to dry location ‡</p> <p>OCS4C RELOC® One Pass® selectable cable 6' installed. De-rates luminaire to dry location ‡</p> <p>OCU___ RELOC® OnePass® unselectable cable 6' installed (must specify tap position). De-rates luminaire to dry location ‡</p> <p>WGX Standard wire guard, installed ‡</p> <p>UPL Uplight ‡</p> <p>OUTEND Wires pulled out end of fixture ‡</p> <p>AO Field adjustable output ‡</p> <p>NSG Non-silicone gasket ‡</p> <p>BAA Buy America(n) Act Compliant</p> <p><u>Cord sets:</u> Wet Location Cord Sets CPTLWWL 6' White wet location cord w/ twist lock plug (voltage matches fixture)</p> <p>Cords Only* CNPWWL 6' White wet location cord without plug CNP4CWWL 6' White wet location cord without plug, 4 conductors (for use when unswitched hot is required for battery pack) CNP5CDWWL 6' White wet location cord without plug, 5 conductors with dimming leads</p> <p>* For additional cord option see cord set table on page 3.</p>	<p>DWHXD Super durable white</p> <p>DNAXD Super durable natural aluminum</p> <p>DBLXD Super durable black</p>
<p><u>Individual Controls</u> SBGR6 360° integral high mount motion sensor (standard on/off operation) SBGR6 D 360° integral high mount motion sensor with dimming (low trim set at 30%) SBGR6 P 360° integral high mount motion sensor with photocell SBGR6 ADC 360° integral high mount motion sensor with dimming & switching photocell</p> <p>*For 360° integral Low Mount sensors, replace "6" in nomenclature with "10". Ex: SBGR10 ADC</p> <p><u>Individual Controls with Bluetooth Programming</u> SBG6 OCC BTP 360° integral high mount motion sensor; Bluetooth enabled SBG6 HL BTP 360° integral high mount motion sensor with dimming; Bluetooth enabled SBG6 ADC BTP 360° integral high mount motion sensor with dimming & switching photocell; Bluetooth enabled SBG6 ANL BTP 360° integral high mount motion sensor with High/Low/Off dimming & switching photocell; Bluetooth enabled</p> <p>*For 360° integral Low Mount sensors, replace "6" in nomenclature with "10". Ex: SBG10 ADC BTP</p> <p><u>nLight Wireless Controls</u> NLTAIR2 RMSOD45 nLight (wireless) gen 2 high mount occupancy & daylight sensor ‡ NLTAIR2 RIO nLight (wireless) gen 2 dimming & switching module</p> <p>*For 360° integral Low Mount sensors, replace "45" in nomenclature with "7". For high Aisle Mount sensors, replace "45" with "45A". Ex: NLTAIR2 RMSOD45A</p> <p>**For guidance on sensor functionality and sensor selection with emergency generator power, consult table on page 8.</p>	

NOTE: ‡ indicates option chosen has ordering restrictions. Please reference ordering restrictions chart, page 3. Options are sorted alphanumerically.

See Accessories and ordering restrictions on next page

‡ Option Value Ordering Restrictions	
Option value	Restriction
347	Not available with E15WMCP or ETS.
480	Not available with E15WMCP or ETS.
AO	Not available with dimming controls (SBGR D, SBGR ADC, SBG BTP, RMSOD, RIO).
E15WMCP	Orderable as MVOLT unless another option requires specific voltage. Not available with 347, 480, HVOLT, UPL, or ETS. If cord is required to have unswitched hot for battery pack then a four conductor cord must be ordered. Utilizes fixture back pack on L24, adds 2.89 inches to fixture depth, see dimensional line art for details.
IE18WCPHECW	Only available with L24 length. Orderable as MVOLT unless another option requires specific voltage. Not available with 347, 480, HVOLT, UPL, SBG BTP options, or ETS. Not available with NSG option. If cord is required to have unswitched hot for battery pack then a four conductor cord must be ordered.
GL	Does not meet FDA guidelines.
FRGL	Does not meet FDA guidelines.
HVOLT	Not available with E15WMCP or ETS.
ETS	Not available with 347, 480, HVOLT, E15WMCP or any control option that is for use with a generator.
L48	When pendant mounted, additional support cables required.
NLTAIR2 RMSOD45	Not available with NSG.
NSG	Not available with NLTAIR2 RMSOD45.
OCS	Must specify voltage. Will have dry location label.
OCS4C	Must specify voltage. For use when battery pack requires unswitched hot. Will have dry location label.
OCU_	Must specify voltage. Will have dry location label.
OUTEND	Available on 2' version only.
UPL	CCT, CRI matches fixture. Not available 347V, 480, or HVOLT. UPL utilizes dedicated driver. UPL is always on - sensors not tied to dedicated driver. Not available with Battery pack options. Not available with surface mounting.
WGX	Only available in white. Cold rolled 11 gauge steel (.120")
XIBDHK XXXX	Requires paint finish to be specified.
XIBSMB4	Required when surface mounting with a battery on the 2' unit.
XIBYMB	Not available with UPL.

Accessories: Order as separate catalog number.		
Mounting:		
IBAC120 M100	Aircraft cable 10' with hook (one pair)	
IBAC240 M75	Aircraft cable 20' with hook (one pair)	
IBAC120SS	Aircraft cable 10' with hook, stainless steel (one pair)	
IBAC240SS	Aircraft cable 20' with hook, stainless steel (one pair)	
XIBSMB2	Surface mount bracket for use with L24 fixture	
XIBSMB4	Surface mount bracket for use with L48 fixture ‡	
XIBYMB	Yoke mount bracket for use with L24 fixture only ‡	
Wire guards:		
WGXIB	L24 DWHXD (for L48 length, order 2)	
WGXIB AVCL	L24 DWHXD (for L48 length, order 2). Use when AVCL is specified for lens.	
Sensor adapter kits:		
XIBDHK XXXX	Doghouse kit for use when field installing Compatible damp location sensors (LSXR, RLSXR, nPP16, rPP20, CMRB) ‡	
XIBBSK	Bracket sensor kit for use when installing compatible wet location sensor families (SBOR, rSBOR)	

CORD SET ORDERING INFORMATION *

Plug Option	Plug type	Amperage***	Gauge	# of conductors	Color	Location	Length
CNP Cord Only	(blank) No Plug Option (for Cord Only option)	(blank) 15 amps	(blank) 18 gauge standard	(blank) 3 conductors (blk/wht/grn)	(blank) Black	(blank) Damp Location	(blank) 6 feet
CP Cord with Plug	TL Locking Type	20A 20 amps	16 16 gauge	4C 4 conductors; Use with Battery option when unswitched hot is needed	W White	WL Wet Location*****	3FT 3 feet
	SB Straight blade**			5C 5 conductors; Use when fixture has 2 drivers and separate operation is required			10FT 10 feet
				5CD 5 conductors; Use with dimming driver when dimming leads are desired (Not for use with dimming sensors)****			12FT 12 feet
							15FT 15 feet
							20FT 20 feet

* Cords are standard out center back of fixture.

** Not available wet location.

*** Amperage is only configurable for cords with plugs.

**** Not available with plugs.

***** Not available with SB plug type.

DIMENSIONS

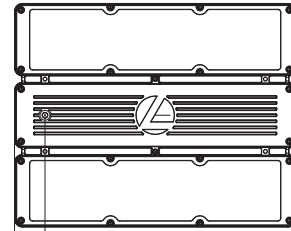
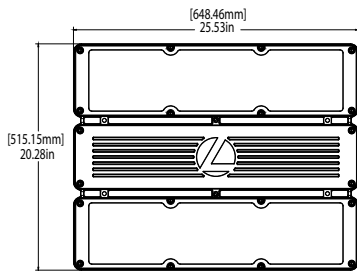
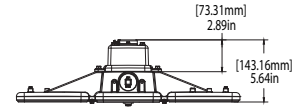
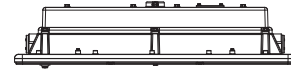
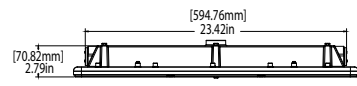
All dimensions are in inches (centimeters) unless otherwise indicated.
Dimensions may vary with options or accessories.

Weight: (may vary with options or accessories)

2': 25.5lbs (11.5Kg)

4': 55.5lbs (25.1Kg)

* Weight provided for fixture with FRGL glass lens.

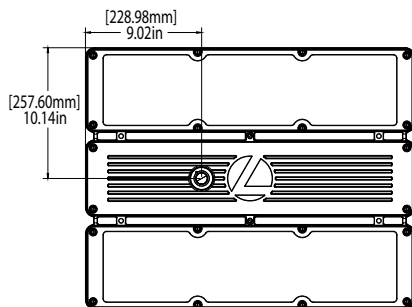
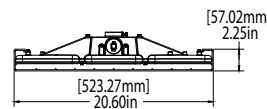
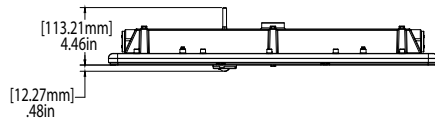
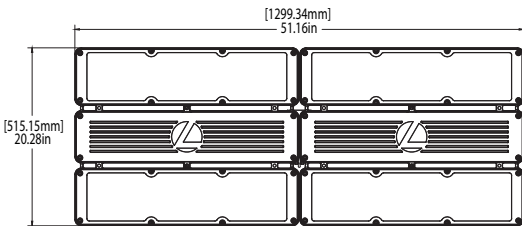
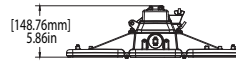
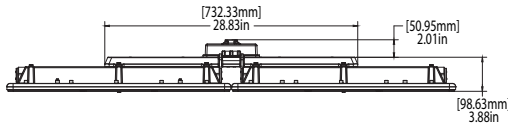


L24 STANDARD FIXTURE

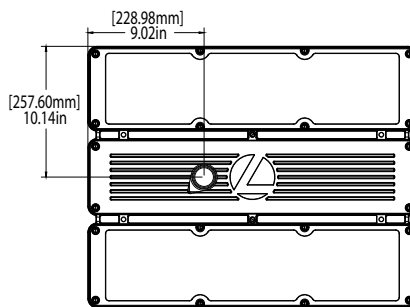
L24 VISUAL COMFORT OPTION

L24 w/BATTERY PACK

BATTERY TEST SWITCH



RMSOD SENSOR



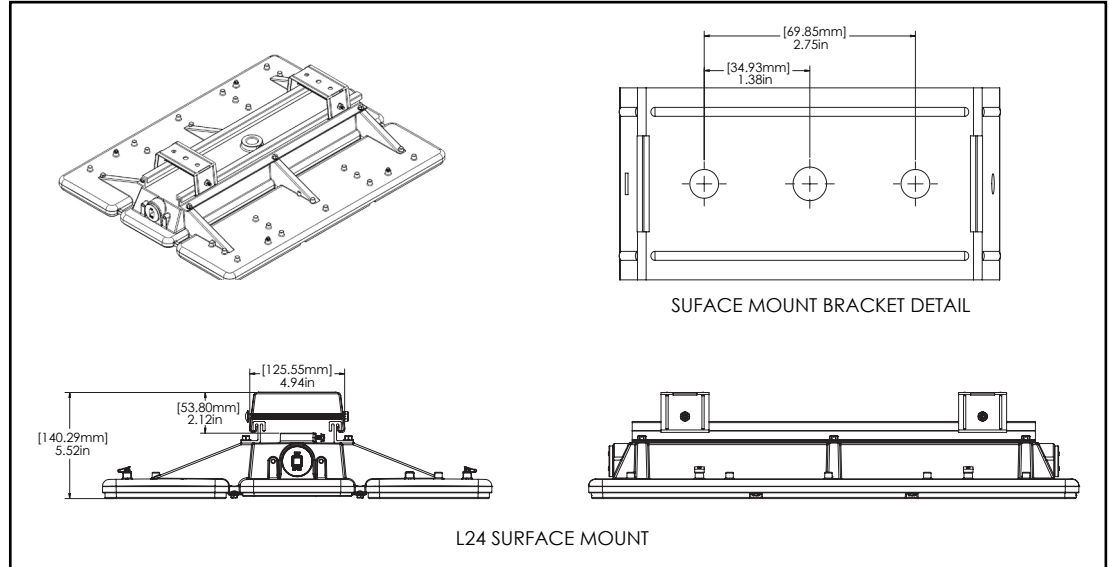
SBG SENSOR

Fixture Length	Lumen package	# Drivers	# Boards	# Boards with Visual Comfort Lens option
2'	12000LM	1	4	6
	15000LM	1	4	6
	18000LM	1	4	6
	24000LM	1	4	6
	30000LM	1	4	6
4'	24000LM	2	8	12
	30000LM	2	8	12
	36000LM	2	8	12
	42000LM	2	8	12

Mounting methods

Surface

- Surface mount kits sold separately
- Order XIBSMB2 for 2' fixture
- Order XIBSMB4 for 4' fixture



Pendant

- ¾" NPT hub standard
- Conduit supplied by others



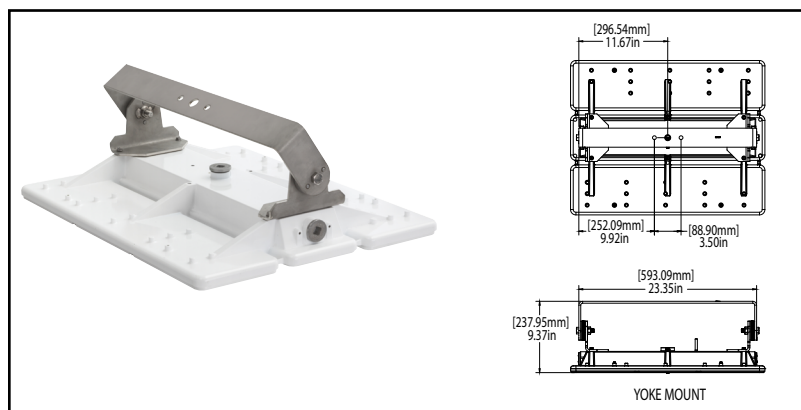
Suspended

- Order aircraft cable kits separately (Shown: IBAC120)



Yoke

- Yoke mount bracket sold separately
- Order XIBYMB for 2' fixture only



XIB PERFORMANCE DATA

		Lens / Distribution													
		AFMD		ACMD		ATND		ATWD		FRGL		GL			
		Acrylic Frosted, Medium		Acrylic Clear, Medium		Acrylic Textured, Narrow		Acrylic Textured, Wide		Frosted Glass, Medium		Clear Glass, Medium			
		Lumen Package	Wattage	Lumen Output	LPW	Lumen Output	LPW	Lumen Output	LPW	Lumen Output	LPW	Lumen Output	LPW	Lumen Output	LPW
Delivered Lumens 4000K, 80CRI	L24	12000LM	77.9	12,201	157	12,889	165	12,096	155	12,229	157	12,311	158	12,737	163
		15000LM	97.0	14,826	153	15,663	161	14,698	151	14,860	153	14,960	154	15,478	160
		18000LM	113.3	18,001	159	19,017	168	17,845	158	18,042	159	18,163	160	18,793	166
		24000LM	155.3	24,961	161	26,369	170	24,745	159	25,018	161	25,186	162	26,058	168
		30000LM	195.2	30,100	154	31,798	163	29,839	153	30,168	155	30,371	156	31,423	161
	L48	24000LM	153.4	23,333	152	24,649	161	23,131	151	23,386	152	23,543	153	24,359	159
		30000LM	193.3	29,480	153	31,143	161	29,225	151	29,547	153	29,745	154	30,776	159
		36000LM	234.2	35,325	151	37,317	159	35,019	150	35,405	151	35,643	152	36,877	157
		42000LM	265.4	41,156	155	43,477	164	40,799	154	41,249	155	41,526	156	42,964	162
		Delivered Lumens 5000K, 80CRI	L24	12000LM	77.9	12,433	160	13,135	169	12,326	158	12,462	160	12,545	161
15000LM	97.0			15,108	156	15,961	165	14,977	154	15,143	156	15,244	157	15,772	163
18000LM	113.3			18,142	160	19,165	169	17,985	159	18,183	160	18,305	162	18,939	167
24000LM	155.3			25,156	162	26,575	171	24,938	161	25,213	162	25,382	163	26,261	169
30000LM	195.2			30,673	157	32,403	166	30,407	156	30,742	158	30,949	159	32,021	164
L48	24000LM		153.4	23,777	155	25,118	164	23,571	154	23,831	155	23,991	156	24,822	162
	30000LM		193.3	30,041	155	31,735	164	29,781	154	30,109	156	30,311	157	31,361	162
	36000LM		234.2	35,997	154	38,027	162	35,685	152	36,078	154	36,321	155	37,579	160
	42000LM		265.4	41,477	156	43,816	165	41,117	155	41,571	157	41,850	158	43,299	163

XIB PERFORMANCE DATA - VISUALLY COMFORTABLE

		AVCL			
		Acrylic Visually Comfortable			
		Lumen Package	Wattage	Lumen Output	LPW
Delivered Lumens 4000K, 80CRI	L24	12000LM	77.7	11,798	152
		15000LM	100.3	14,839	148
		18000LM	120.7	18,372	152
		24000LM	155.8	23,753	152
		30000LM	177.4	27,879	157
	L48	24000LM	155.4	23,596	152
		30000LM	200.6	29,678	148
		36000LM	242.6	34,505	142
		42000LM	280.4	39,588	141
		Delivered Lumens 5000K, 80CRI	L24	12000LM	77.7
15000LM	100.3			15,121	151
18000LM	120.7			18,515	153
24000LM	155.8			23,938	154
30000LM	177.4			28,096	158
L48	24000LM		155.4	24,045	155
	30000LM		200.6	30,243	151
	36000LM		242.6	35,162	145
	42000LM		280.4	40,341	144

UPLIGHT PERFORMANCE INFORMATION

Uplight	Lumens		
	70CRI	80CRI	90CRI
30K	1878	1739	1308
35K	1880	1777	1346
40K	1910	1848	1383
50K	1937	1869	1403

*Uplight option adds 17.1W to base fixture wattage
Note: Uplight CCT & CRI matches fixture downlight.

PAINT FINISH FACTORS

Light Loss Factor	
DNAXD	0.985
DBLXD	0.97

PHOTOMETRICS

See www.lithonia.com.

CHARACTERISTICS

		Wattage				Comparable Light Source
	Lumen Package	120V	277V	347V	480V	
L24	12000LM	77.9	78	77.9	78.1	175W MH, 4-lamp T8 HBF, 2-lamp T5HO
	15000LM	97.0	95	75.6	95.5	200W MH, 6-lamp T8 NBF
	18000LM	113.3	111.2	114.3	113.2	250W MH, 6-lamp T8 HBF, 4-lamp T5HO
	24000LM	155.3	152.4	156.7	155.1	400W MH, 6-lamp T5HO
	30000LM	195.2	191.5	197	195	575W MH, 10-lamp T8 HBF
L48	24000LM	153.4	153.6	153.4	153.8	400W MH, 6-lamp T5HO
	30000LM	193.3	191.5	197	195.1	575W MH, 10-lamp T8 HBF
	36000LM	234.2	237.4	244.8	243.5	750W MH, 8-lamp T5HO
	42000LM	265.4	269	277.4	295.9	875W MH, 10-lamp T5HO

Projected Lumen Maintenance						
Operating Hours	0	15,000	30,000	45,000	60,000	100,000
Lumen Maintenance Factor	1	0.98	0.96	0.93	0.91	0.86

Impact Resistance (IK Ratings)	
Component	Rating
Housing	IK10
Acrylic	IK07
Clear Glass	IK07

AMBIENT TEMPERATURE RATINGS

Lumens	Suspended	Suspended with Sensors	Suspended with Controls	Surface	Surface with Sensors	Surface with Controls
12L	55	55	55	55	45	45
15L	55	55	55	55	45	45
18L	55	55	55	55	45	45
24L	55	55	55	55	45	45
30L	55	55	55	55	45	45
36L	55	55	55	55	45	45
42L	55	55	55	55	45	45

Note: Suspended = 12 inches from ceiling minimum

ADJUSTABLE OUTPUT (AO) PERFORMANCE

		FAO Position	% Lumen Output	% Wattage
L24	12000LM	1	18%	21%
		2	31%	32%
		3	44%	43%
		4	57%	56%
		5	69%	69%
		6	82%	81%
		7	94%	94%
		8	100%	100%
	15000LM	1	18%	21%
		2	31%	32%
		3	44%	43%
		4	57%	56%
		5	70%	69%
		6	82%	81%
		7	94%	94%
		8	100%	100%
	18000LM	1	18%	21%
		2	31%	32%
		3	44%	44%
		4	57%	57%
		5	70%	69%
		6	82%	82%
		7	94%	94%
		8	100%	100%
24000LM	1	19%	18%	
	2	32%	29%	
	3	46%	41%	
	4	59%	53%	
	5	71%	66%	
	6	84%	79%	
	7	95%	92%	
	8	100%	100%	
30000LM	1	19%	18%	
	2	33%	29%	
	3	47%	41%	
	4	60%	53%	
	5	72%	66%	
	6	84%	79%	
	7	95%	92%	
	8	100%	100%	

		FAO Position	% Lumen Output	% Wattage
L48	24000LM	1	18%	21%
		2	31%	32%
		3	44%	43%
		4	57%	56%
		5	70%	69%
		6	82%	81%
		7	94%	94%
		8	100%	100%
	30000LM	1	18%	21%
		2	31%	32%
		3	44%	43%
		4	57%	56%
		5	70%	69%
		6	82%	81%
		7	94%	94%
		8	100%	100%
	36000LM	1	18%	18%
		2	32%	30%
		3	45%	42%
		4	58%	54%
		5	71%	67%
		6	83%	81%
		7	94%	93%
		8	100%	100%
42000LM	1	19%	18%	
	2	33%	30%	
	3	46%	42%	
	4	59%	54%	
	5	71%	67%	
	6	83%	80%	
	7	95%	94%	
	8	100%	100%	

*Typical performance provided. Values may vary +/- 2%

EMERGENCY OPERATION SCENARIOS

	Standard Sensor or Control Device (commonly used with Battery Pack Option)	EM Solution (Used when switching single incoming hot to generator power)	ER Solution (Used when switching to generator power via a 2nd hot lead)
Emergency Lighting Strategy	*Luminaire-integral battery pack and emergency driver *Generator transfer device	*Diesel genset emergency backup supply *Slow transfer inverter (>30ms) emergency backup supply	*Fast Transfer (FT) inverter emergency backup supply *Uninterruptible Power System (UPS) emergency
Recommended Control Device Option	*Not specifically listed for emergency use. *Wired such that a separately listed emergency device provides emergency lighting power and/or control during loss of normal power scenarios.	*UL924 listed *Utilizes Power Interruption Detection to initiate lighting control override during loss of normal power scenarios. *Requires power interruption > 30 ms to luminaire during transfer to emergency backup supply.	*UL924 listed *Utilizes dedicated Normal Power sensing leads to initiate lighting control override during loss of normal power scenarios. *Requires connections to both emergency and normal power circuits.

	Function	Sequence of Operations	Standard Sensor or Control Device	EM Solution (Generator 1 Hot)	ER Solution (Generator 2 Hots)
Standalone Sensors (Individual control per fixture)	On/Off	Lights turn on when motion detected; Upon vacancy, Lights turn off after timeout.	SBGR6	SBOR6 EM	SBGR6 ER
	Dimming	Lights turn on when motion is detected; Upon vacancy lights dim to low trim level after timeout.	SBGR6 D	SBOR6 D EM	SBGR6 D ER
	Photocell	Lights turn on when presence is detected unless ambient light level is above set point; Upon vacancy, the lights turn off after timeout; If ambient light levels in the space exceed the photocell set point, lights will turn off even during occupancy.	SBGR6 P	SBOR6 P EM	SBGR6 P ER
	Dimming + Photocell	Lights turn on when presence is detected unless ambient light level is above set point; Upon vacancy, the lights turn off after timeout; During occupancy, automatically raise and lower electric light level to maintain set point and turn off, depending on ambient light.	SBGR6 ADC	SBOR6 ODP EM	SBGR6 ADC ER
Note: For 360° integral Low Mount sensors, replace "6" in nomenclature with "10". Ex. SBGR10 P. EM sensors are KO-mounted. All others integral.					

Bluetooth Sensors (Configurable via mobile Bluetooth app)	On/Off	Lights turn on when motion detected; Upon vacancy, Lights turn off after timeout.	SBG6 OCC BTP	-	SBG6 OCC BTP ER
	High/Low (Off)	Lights turn on to high trim when presence is detected; Upon vacancy, the lights dim to low trim after timeout and turn off after "Dim To Off" Time Delay.	SBG6 HL BTP	-	SBG6 HL BTP ER
	Dimming + Photocell	Lights turn on when presence is detected unless ambient light level is above set point; Upon vacancy, the lights turn off after timeout; During occupancy, automatically raise and lower electric light level to maintain set point and turn off, depending on ambient light.	SBG6 ADC BTP	-	SBG6 ADC BTP ER
	Dimming + Photocell + High/Low (Off)	Lights turn on when presence is detected unless ambient light level is above set point; Upon vacancy, lights dim to low trim after timeout and remain at low trim until presence is detected; Automatically raise and lower electric light level to maintain set point during occupancy and during vacancy keeps lights at low trim if ambient light is not sufficient.	SBG6 ANL BTP	-	SBG6 ANL BTP ER
Note: For 360° integral Low Mount sensors, replace "6" in nomenclature with "10". Ex. SBG10 HL BTP.					

nLight AIR Wireless Sensors	Dimming + Photocell + Occupancy	Wirelessly programmable network sensor - On/Off control with dimming, occupancy detection, and daylight harvesting	NLTAIR2 RMSOD45	NLTAIR2 RSBOR6 EM	NLTAIR2 RMSOD45 ER
	Dimming	Wirelessly programmable On/Off control with dimming - no sensor	NLTAIR2 RIO	NLTAIR2 RPP20 D EM	NLTAIR2 RIO ER
Note: For 360° integral Low Mount sensors, replace "45" in nomenclature with "7". For high Aisle Mount sensors, replace "45" with "45A". Ex: NLTAIR2 RSBOR6 EM sensors/controls are KO-mounted. All others integral. RPP20 D EM de-rates fixture to Damp Location."					

***All ER solutions include standard sensor or control device with a factory-installed Iota ETS##-DR (UL924 bypass device).**

How to Estimate Delivered Lumens in Emergency Mode

Use the formula below to estimate the delivered lumens in emergency mode

Delivered Lumens = 1.25 x P x LPW

P = Output power of emergency driver. P = 15W for PS1555MCP

LPW = Lumen per watt rating of the luminaire. This information is available on the ABL luminaire spec sheet.

The LPW rating is also available at Designlight Consortium.

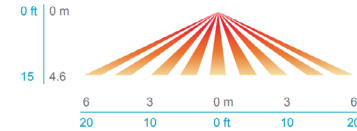
COVERAGE PATTERNS

6

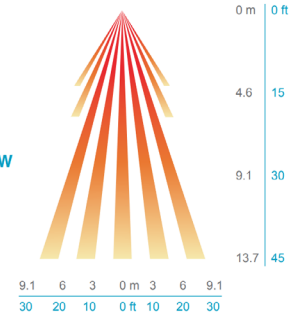
High Bay 360° Lens

- Best choice for 15 to 45 ft (4.57 to 13.72 m) mounting heights
- 15 to 20 ft (4.57 to 6.10 m) radial coverage overlaps area lit by a typical high bay fixture
- Excellent detection of large motion (e.g., walking) up to a 35 ft (10.76 m) mounting height
- Excellent detection of extra large motion (e.g., forklifts) up to a 45 ft (13.72 m) mounting height

LOW VIEW



HIGH VIEW

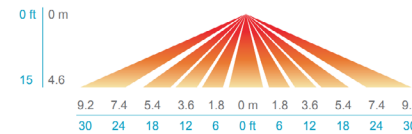


7

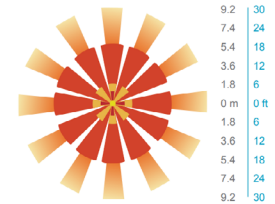
Mini-Low Bay 360° Lens

- Recommended for walking motion detection from mounting heights between 8 ft (2.44 m) and 20 ft (6.10 m)
- Initial detection of walking motion along sensor axes at distances of 2x the mounting height up to 15 ft (4.57 m) and 1.75x up to 20 ft (6.10 m)
- Provides 12 ft (3.66 m) radial detection of small motion when mounted at 9 ft (2.74 m)
- Initial detection will occur earlier when walking across sensor's field of view than walking directly at sensor

SIDE VIEW



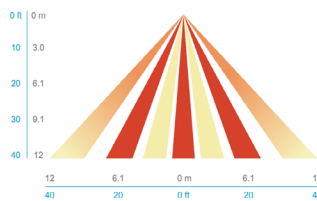
TOP VIEW



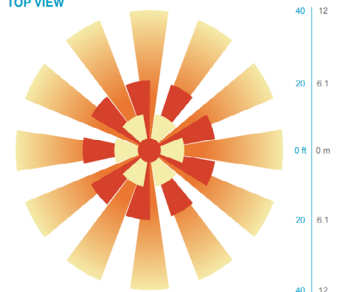
45 - HIGH MOUNT 360°

- Optimized full coverage pattern for 10 - 40 ft. (3.1 - 12 m)
- Reliable detection of large motion (e.g. pedestrian walking traffic) up to 30 ft. (9.1 m) mounting height
- Reliable detection of extra-large motion (e.g. forklift traffic) up to 40 ft. (12 m) mounting height
- Stow-able rotating lens shield can be utilized to mask areas in which detection is not desired

SIDE VIEW



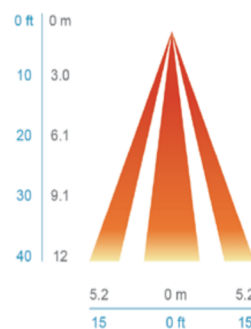
TOP VIEW



45A - HIGH MOUNT AISLEWAY

- Optimized bi directional coverage pattern for aiseways with 10 - 40 ft. (3.1 - 12 m) mounting heights
- 1.5x's mounting height equals approximate detection range
- Reliable detection of large motion (e.g. pedestrian walking traffic) up to 30 ft. (9.1 m) mounting height
- Reliable detection of extra-large motion (e.g. forklift traffic) up to 40 ft. (12 m) mounting height
- Stow-able rotating lens shield can be utilized to mask areas in which detection is not desired

SIDE VIEW



TOP VIEW

