






ASSEMBLY INSTRUCTION

Item#: 5960-90019-MTL Ozark Bed Bench

** Please make sure you have all parts indicated below prior to assembly.

NO.	HARDWARE LIST		Q'TY
A		ALLEN WRENCH	1
B		25MM BOLT	12
C		LOCK WASHER	15
D		FLAT WASHER	15
E		15MM BOLT	3

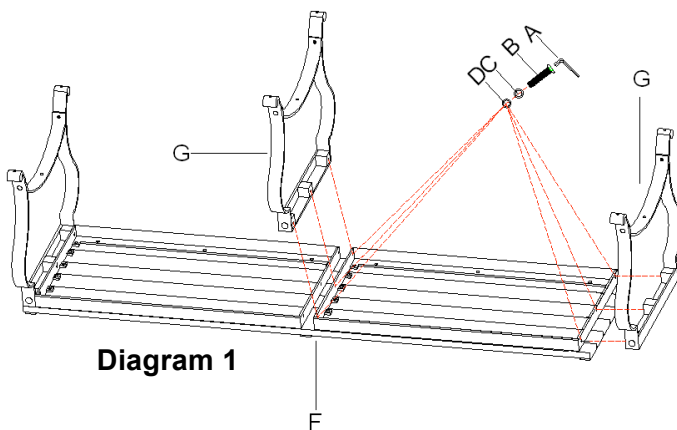
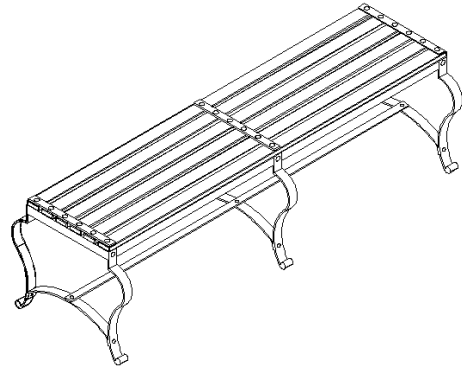


Diagram 1

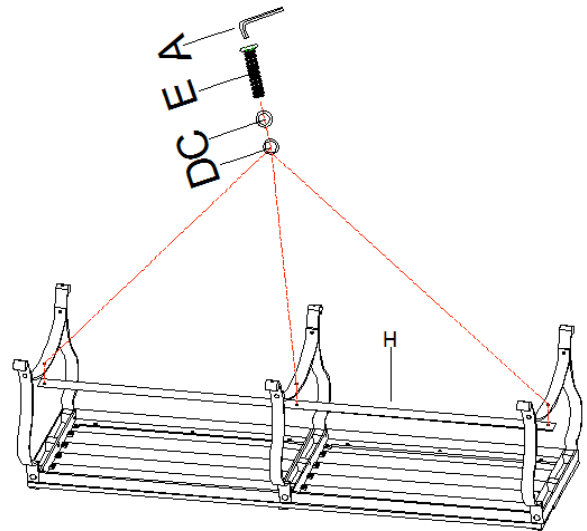


Diagram 2

Assembly Steps:

1. Put seat board (F) upside down on a soft surface to prevent it from being scratched (See Diagram 1).
2. Attach metal bases (G) to seat board (F) by using bolts (B), lock washers (C) and flat washers (D), tighten with allen wrench (A) in clockwise direction (See Diagram 1). Please note the metal base with six pre-drilled holes must be attached to center position.
3. Well with one hand holding metal stretcher (H) to metal bases (G), insert bolts (E), lock washers (C) and flat washers (D), secure by turning with allen wrench. (See Diagram 2)
4. Turn bench upright.

Cleaning Instruction: Clean finished parts with a damp cloth using a mild dishwashing liquid and water solution. Polish the finish with soft cloth and an industry recognized furniture polish.