

# Assembly Guide



**Bush**  
FURNITURE

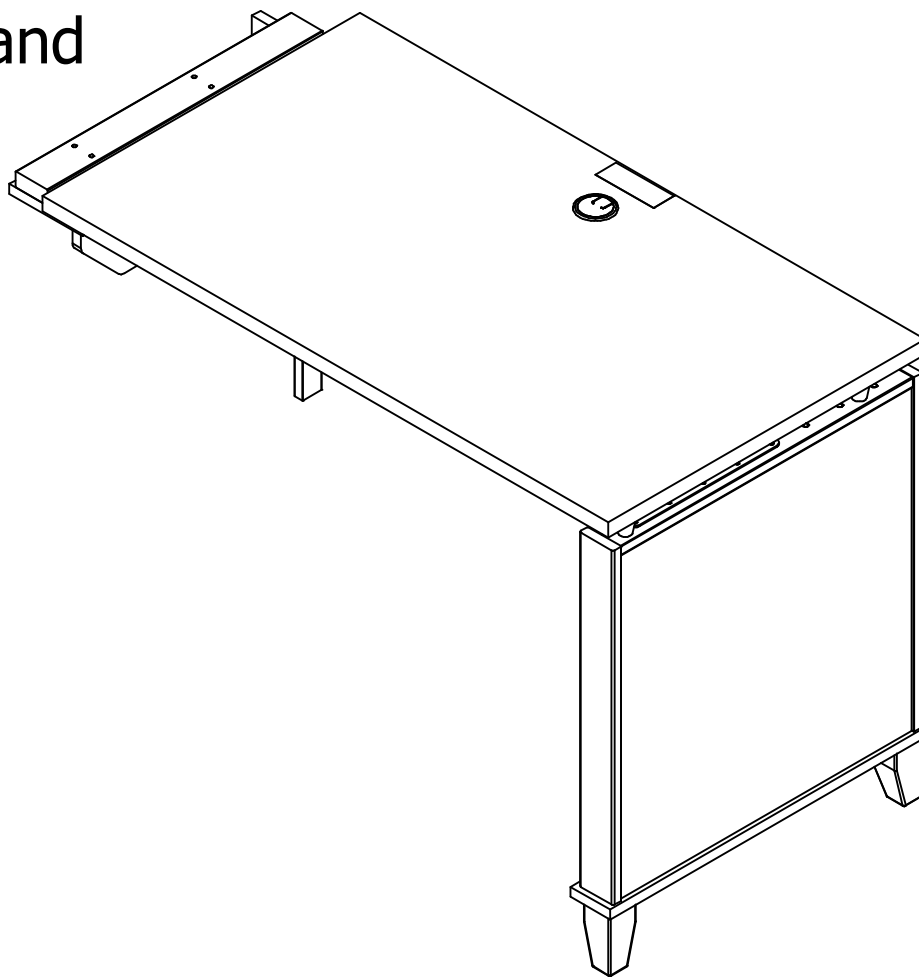


If you're having any difficulty during assembly of this product, don't hesitate to call us at **1-800-950-4782.**

Our customer service experts are trained to provide step-by-step instruction and can easily replace any missing or damaged parts.

**Representatives are available Monday-Friday from 8:30 a.m. to 7:30 p.m. (ET)**

## Sit To Stand



Lot Code #

Part Number A189257D

Keep manual for future reference.

## For best results, keep these tips in mind:

- ① We know you want to finish this assembly as quickly as possible, but trust us: you'll have a better experience if you take it one step at a time.
- ② Give yourself some room to work near where you want the fully assembled product.
- ③ If your floor isn't carpeted, assemble this product on the empty carton to avoid scratching.
- ④ Do you have a friend who owes you a favor? Some steps may go a little easier with a second set of hands.

### DOs

- ✔ Use a #2 Phillips head screwdriver (or other handheld tools as indicated)
- ✔ Wear safety glasses at all times during assembly
- ✔ Carefully follow the instructions in this guide and complete all steps in order
- ✔ Give us a call if you're having trouble with a particularly tricky step

### DON'Ts

- ✘ We know power tools are quick and easy, but you shouldn't use them when assembling this product (unless otherwise specified)
- ✘ Never move your furniture with items inside or resting on the surface
- ✘ Do not attempt to use this product before all steps have been completed

## Watch assembly videos right on your phone or computer!



Some steps include QR codes that link to helpful videos. Watch out for the icon on the left! Simply open up your smartphone camera to scan the code.

*(Users of older smartphones may need to install a QR Reader.)*

### SCAN HERE



FOR VIDEOS

Or visit <https://www.bushfurniture.com/CustomerService/HowtoAssemble.aspx>



# IMPORTANT SAFETY INFORMATION



## PLEASE READ WARNINGS

Improper use can cause safety hazards, or damage to your furniture and household items.

Warning	Do	Don't	Why it's important
<b>Serious injury may occur.</b>	<ul style="list-style-type: none"><li>Assemble following all instructions using all indicated parts and hardware provided.</li></ul>	<ul style="list-style-type: none"><li>Do not move unit when loaded.</li><li>Do not load with a television or other heavy equipment.</li><li>Do not exceed the maximum load limits stated in the instructions.</li><li>Do not sit or stand on adjustable height work surface.</li></ul>	Improper assembly, use or loading can lead to product instability, tip-over or collapse.
<b>Serious injury may occur.</b>	<ul style="list-style-type: none"><li>Maintain 1 inch (25mm) clearance between desk and all other furniture at all times.</li></ul>	<ul style="list-style-type: none"><li>Do not place hands close to the mechanism when lifting or lowering the work surface.</li></ul>	Pinch points exist in the mechanism and may be created by placing the desk too close to other furniture and objects.

Advertencia	Hacer	No	Por qué es importante
<b>Se pueden producir lesiones graves.</b>	<ul style="list-style-type: none"><li>Ensamble siguiendo todas las instrucciones utilizando todas las piezas y ferretería indicados provistos.</li></ul>	<ul style="list-style-type: none"><li>No mueva la unidad cuando esté cargada.</li><li>No cargue con un televisor u otro equipo pesado.</li><li>No exceda los límites máximos de carga establecidos en las instrucciones.</li><li>No se siente ni se pare sobre una superficie de trabajo de altura ajustable.</li></ul>	El ensamblaje, uso o carga inadecuados pueden provocar inestabilidad del producto, vuelco o colapso.
<b>Se pueden producir lesiones graves.</b>	<ul style="list-style-type: none"><li>Mantenga un espacio de 1 pulgada (25 mm) entre el escritorio y todos los demás muebles en todo momento.</li></ul>	<ul style="list-style-type: none"><li>No coloque las manos cerca del mecanismo cuando levante o baje la superficie de trabajo.</li></ul>	Existen puntos de pellizco en el mecanismo y pueden crearse colocando el escritorio demasiado cerca de otros muebles y objetos.

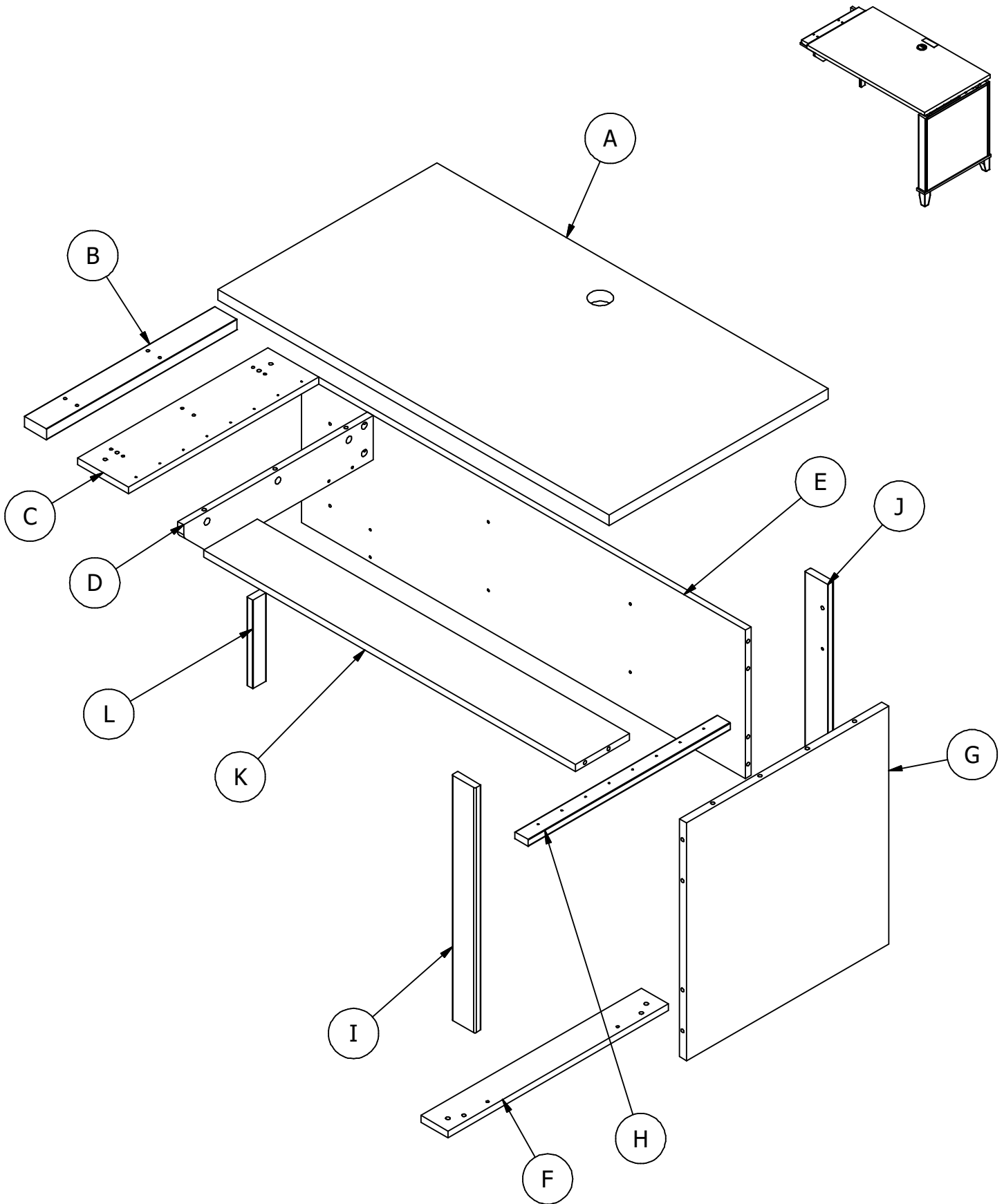
## IMPORTANT SAFETY INFORMATION



# PLEASE READ WARNINGS

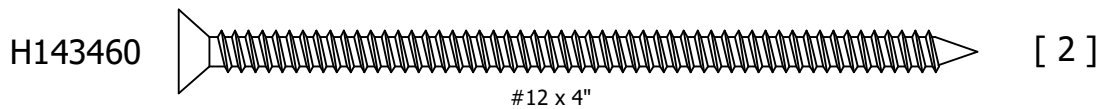
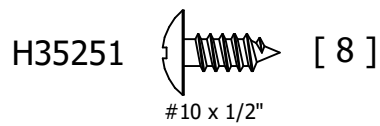
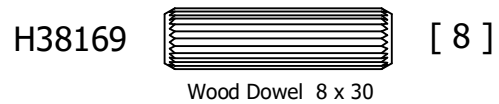
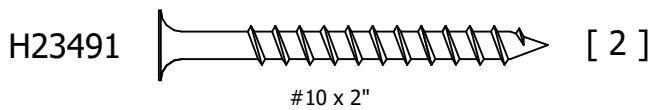
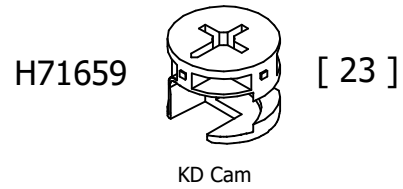
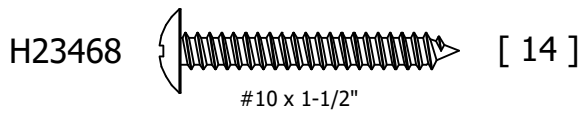
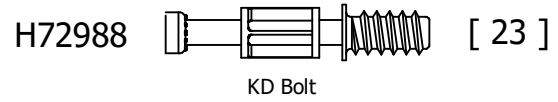
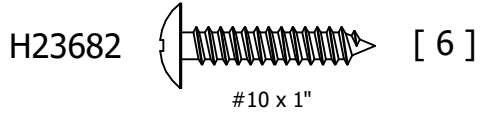
Improper use can cause safety hazards, or damage to your furniture and household items.

Avertissement	Faire	Ne le fais pas	Pourquoi c'est important
<b>Des blessures graves peuvent survenir.</b>	<ul style="list-style-type: none"><li>Assemblez en suivant toutes les instructions en utilisant toutes les pièces et le matériel indiqués fournis.</li></ul>	<ul style="list-style-type: none"><li>Ne déplacez pas l'unité lorsqu'elle est chargée.</li><li>Ne chargez pas avec un téléviseur ou un autre équipement lourd.</li><li>Ne dépassez pas les limites de charge maximale indiquées dans les instructions.</li><li>Ne vous asseyez pas ou ne vous tenez pas debout sur une surface de travail à hauteur réglable.</li></ul>	Un assemblage, une utilisation ou un chargement incorrects peuvent entraîner une instabilité du produit, un renversement ou un effondrement.
<b>Des blessures graves peuvent survenir.</b>	<ul style="list-style-type: none"><li>Maintenez un espace de 1 pouce (25 mm) entre le bureau et tous les autres meubles en tout temps.</li></ul>	<ul style="list-style-type: none"><li>Ne placez pas les mains près du mécanisme lorsque vous soulevez ou abaissez la surface de travail.</li></ul>	Des points de pincement existent dans le mécanisme et peuvent être créés en plaçant le bureau trop près d'autres meubles et objets.



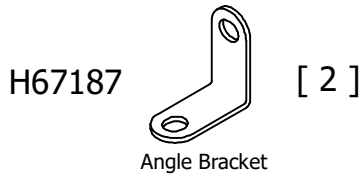
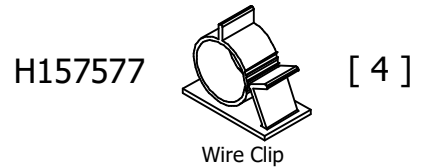
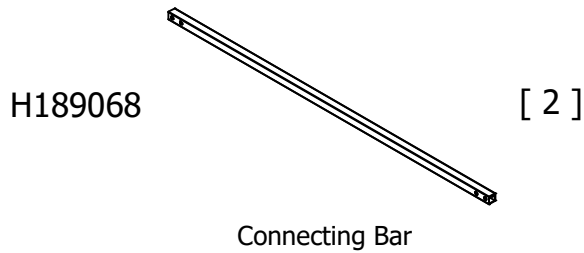
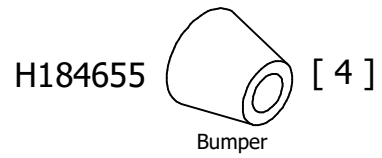
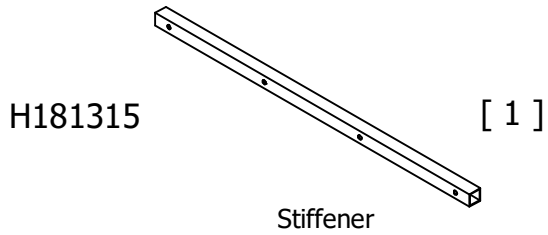
Have an assembly question or need a replacement part? Just call  
**1-800-950-4782**, we are here to help.

Fasteners are shown actual size.

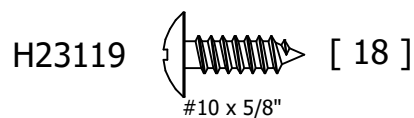
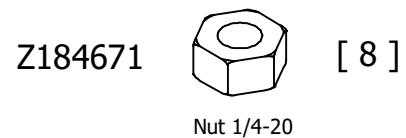
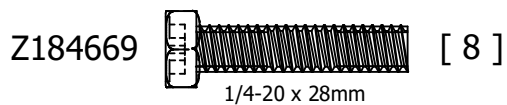
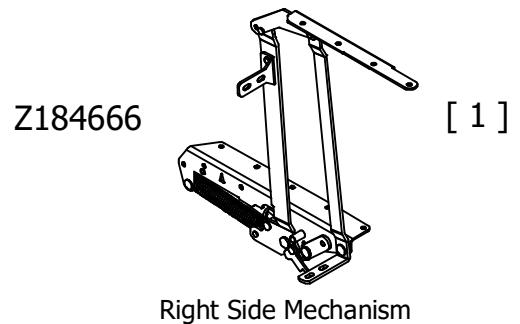
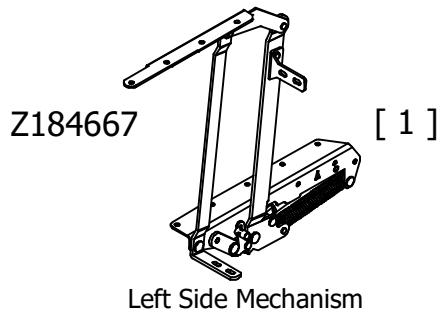


Have an assembly question or need a replacement part? Just call  
**1-800-950-4782**, we are here to help.

Hardware not to scale.

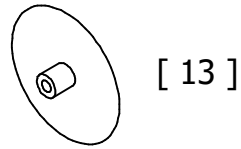


## Q184665 Sit to Stand Mechanism



Have an assembly question or need a replacement part? Just call  
**1-800-950-4782**, we are here to help.

Hardware not to scale.



[ 13 ]

Cover Cap



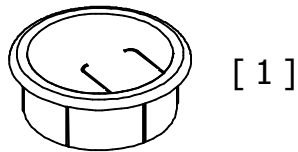
[ 6 ]

3mm



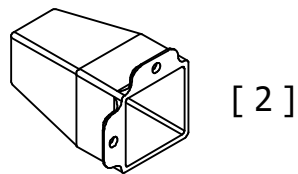
[ 6 ]

5mm



[ 1 ]

Grommet

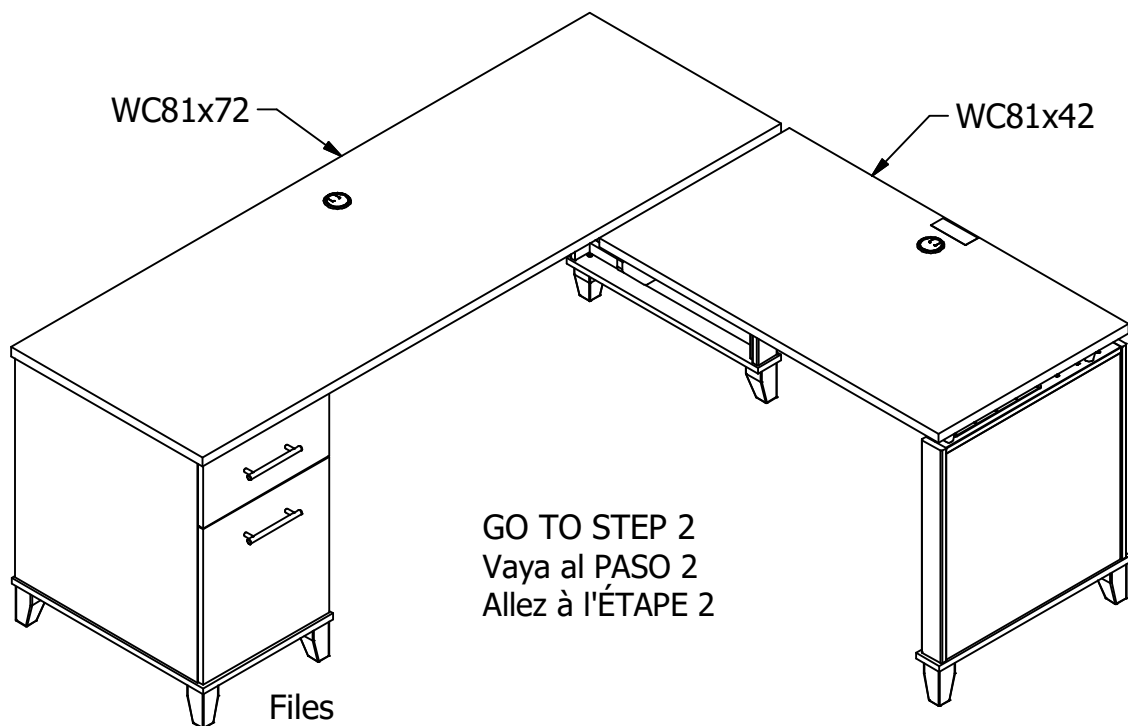
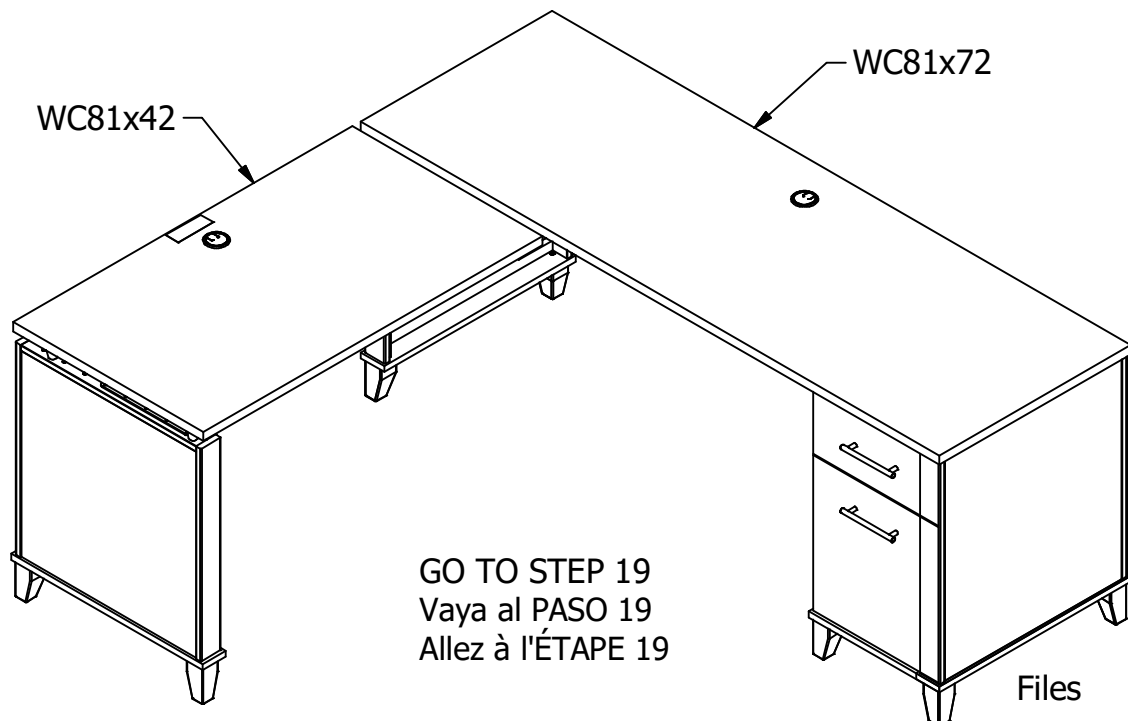


[ 2 ]

Foot

Have an assembly question or need a replacement part? Just call  
**1-800-950-4782**, we are here to help.



**Option 1****Option 2**

Have an assembly question or need a replacement part? Just call  
**1-800-950-4782**, we are here to help.

# STEP 2

# Prepare Rails

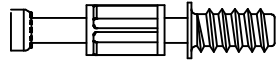
A189257D

Scan QR Code to Watch Video on:



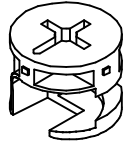
How to Tighten KD Cams

H72988 [ 2 ]

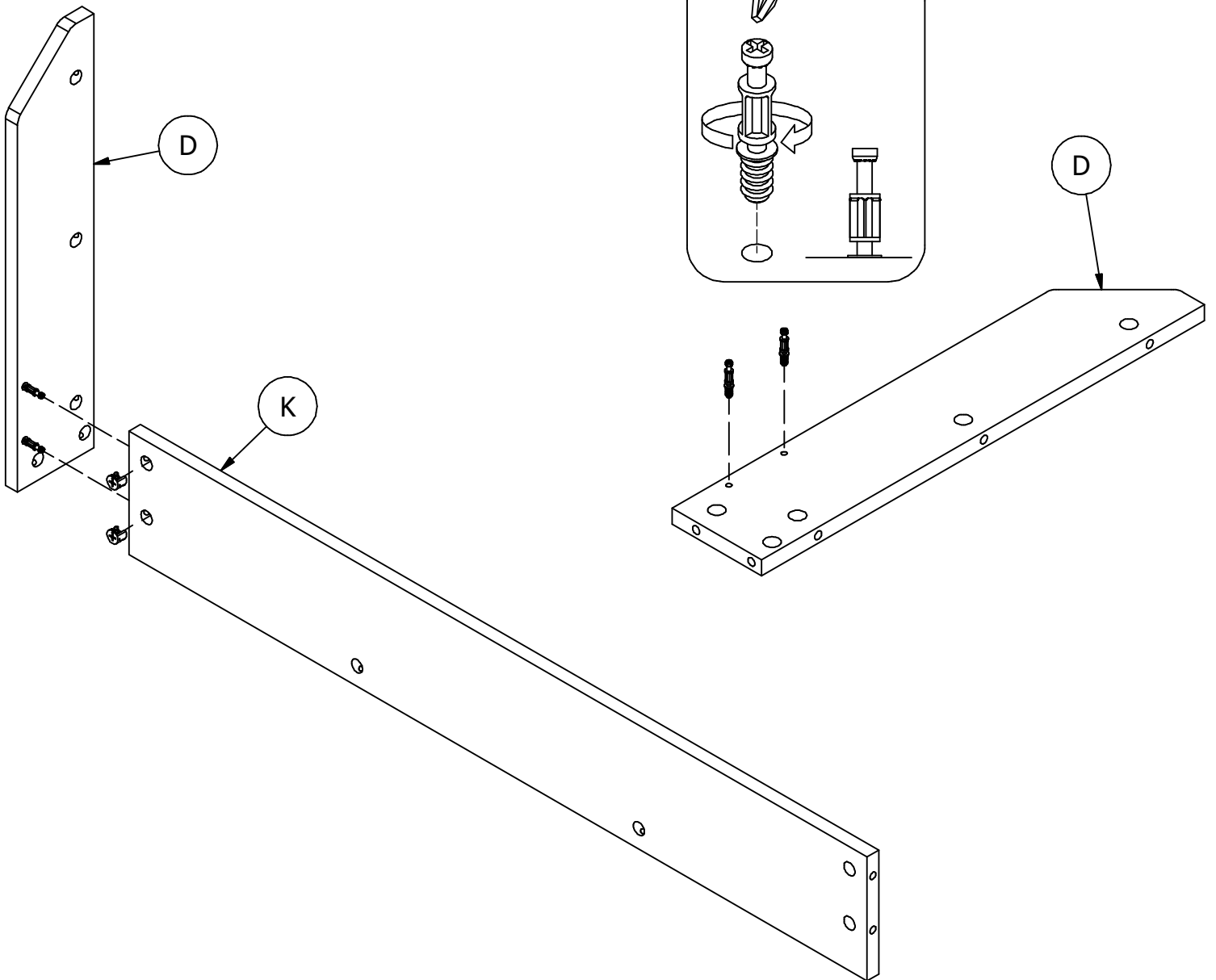
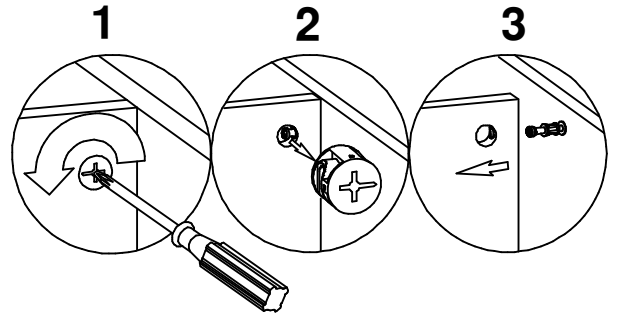


KD Bolt

H71659 [ 2 ]



KD Cam



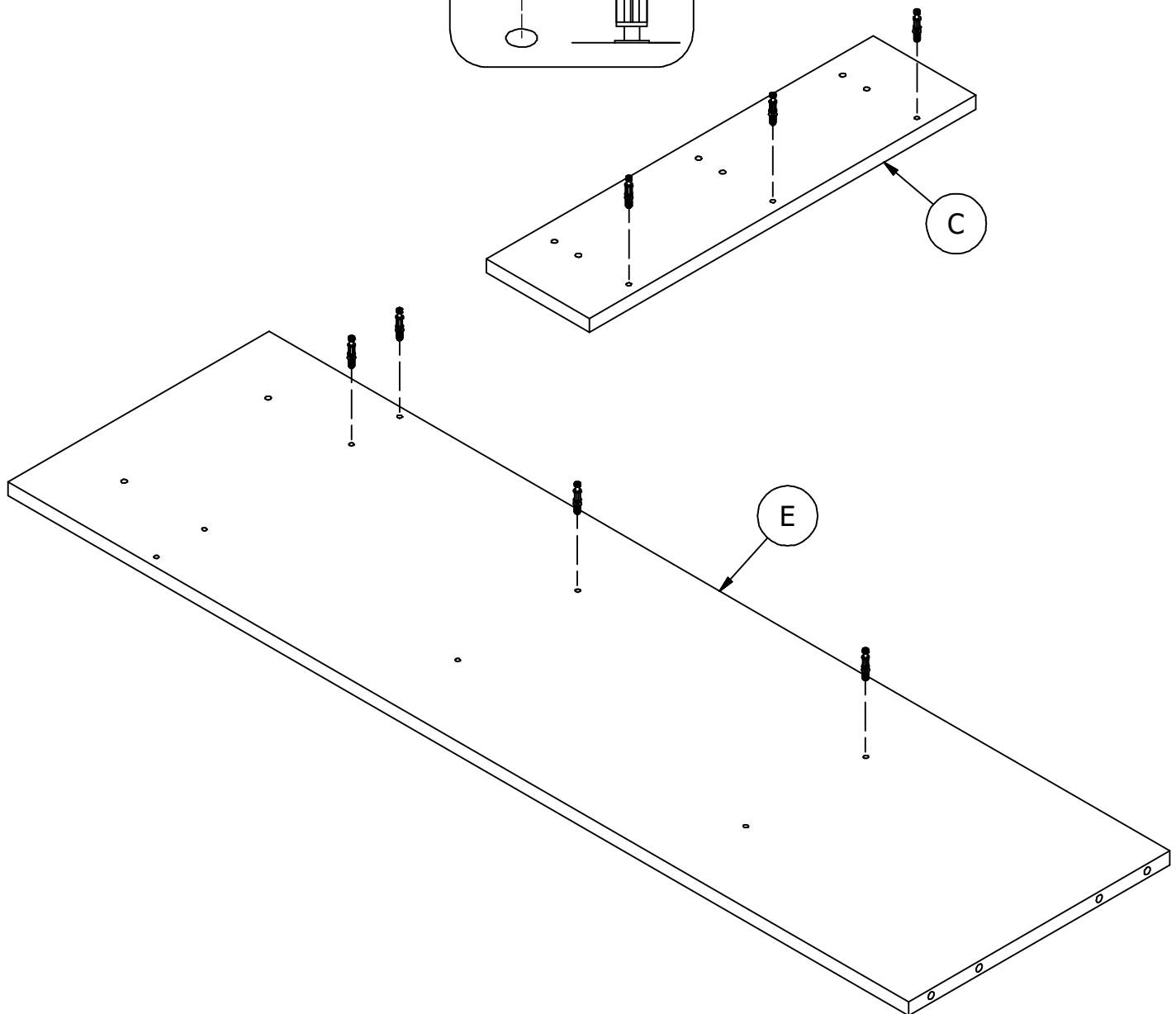
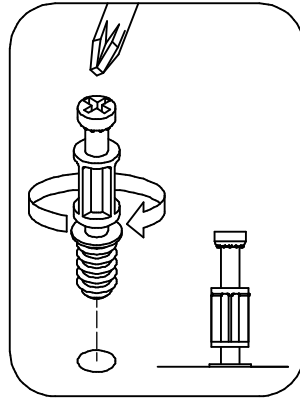
Have an assembly question or need a replacement part? Just call **1-800-950-4782**, we are here to help.

# STEP 3

# Prepare Panels

A189257D

H72988 [ 7 ]  
KD Bolt



Have an assembly question or need a replacement part? Just call  
**1-800-950-4782**, we are here to help.

# STEP 4

# Assemble Side

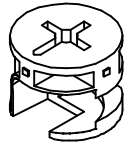
A189257D

Scan QR Code to Watch Video on:



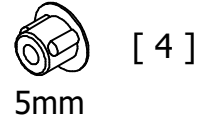
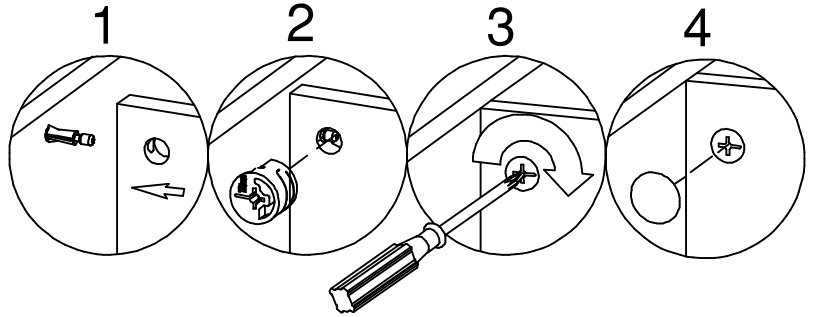
How to Tighten KD Cams

H71659



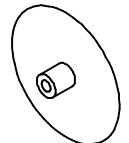
KD Cam

[ 4 ]



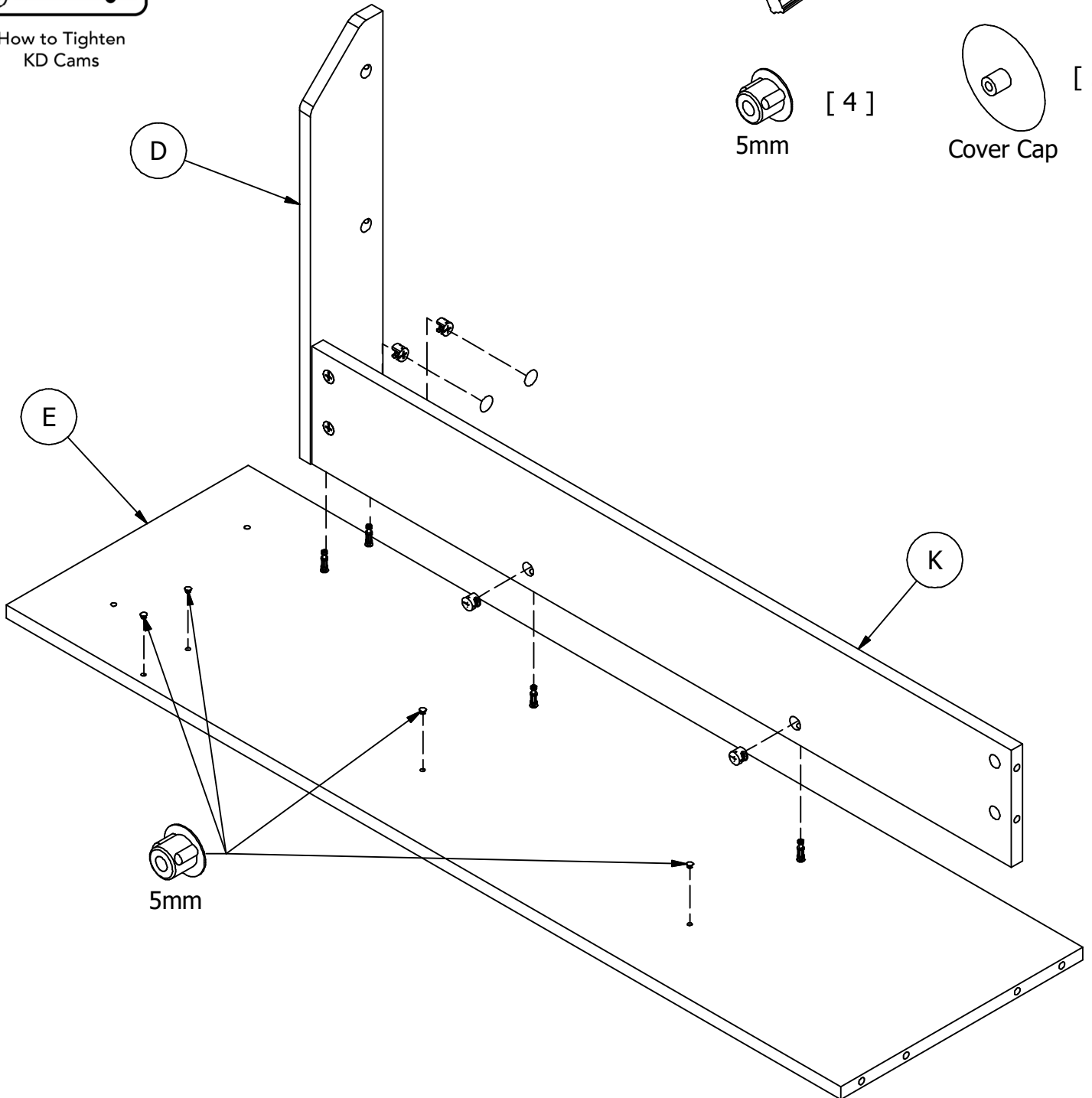
5mm

[ 4 ]



Cover Cap

[ 2 ]



Have an assembly question or need a replacement part? Just call **1-800-950-4782**, we are here to help.

# STEP 5

## Assemble Side

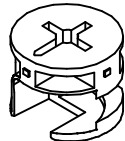
A189257D

Scan QR Code to  
Watch Video on:



How to Tighten  
KD Cams

H71659



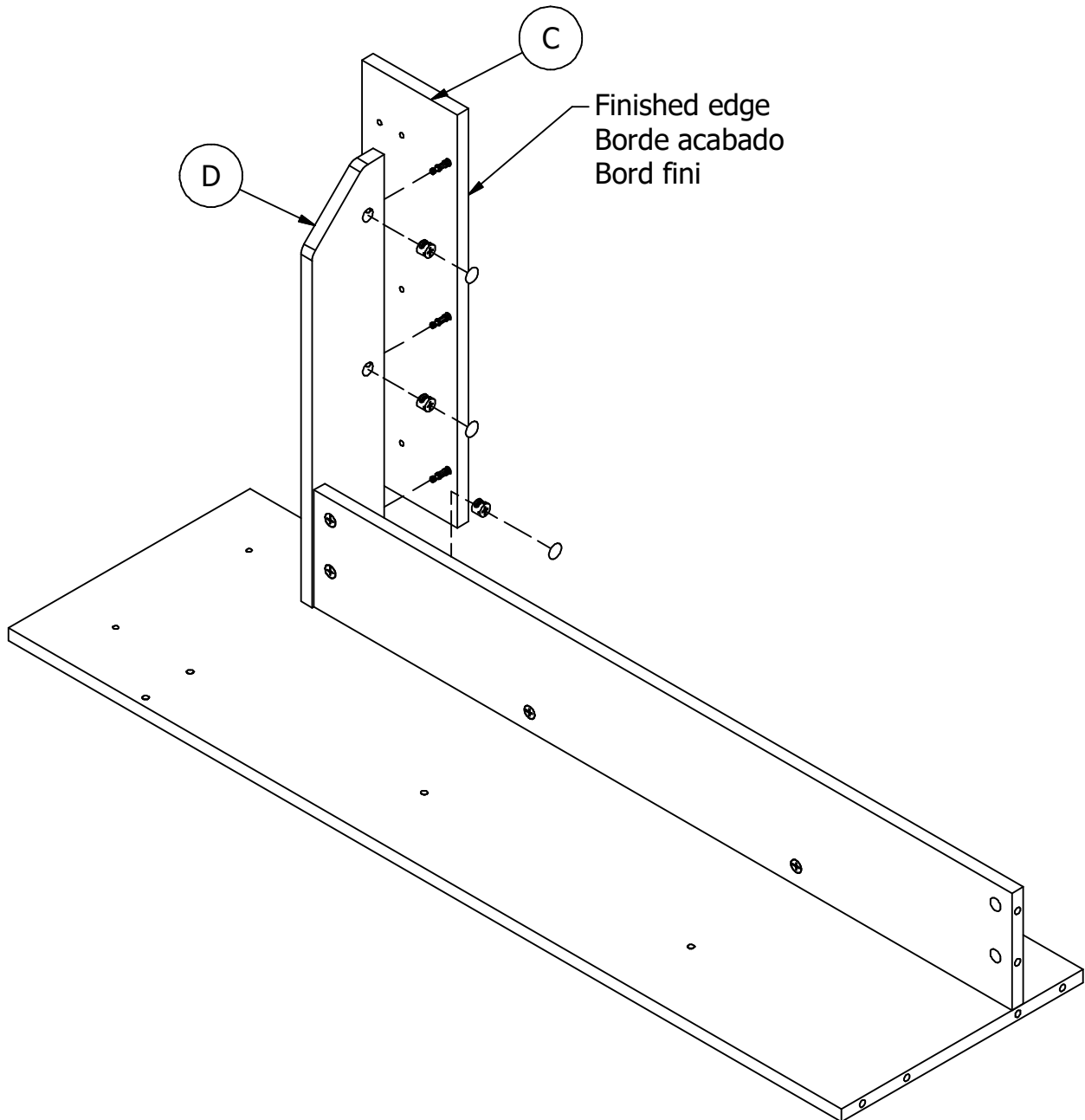
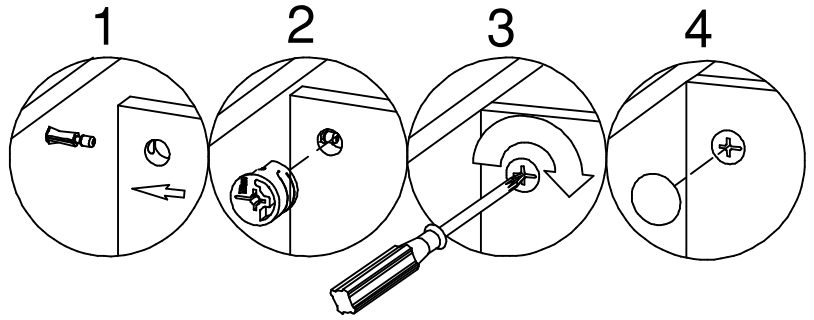
KD Cam

[ 3 ]



[ 3 ]

Cover Cap

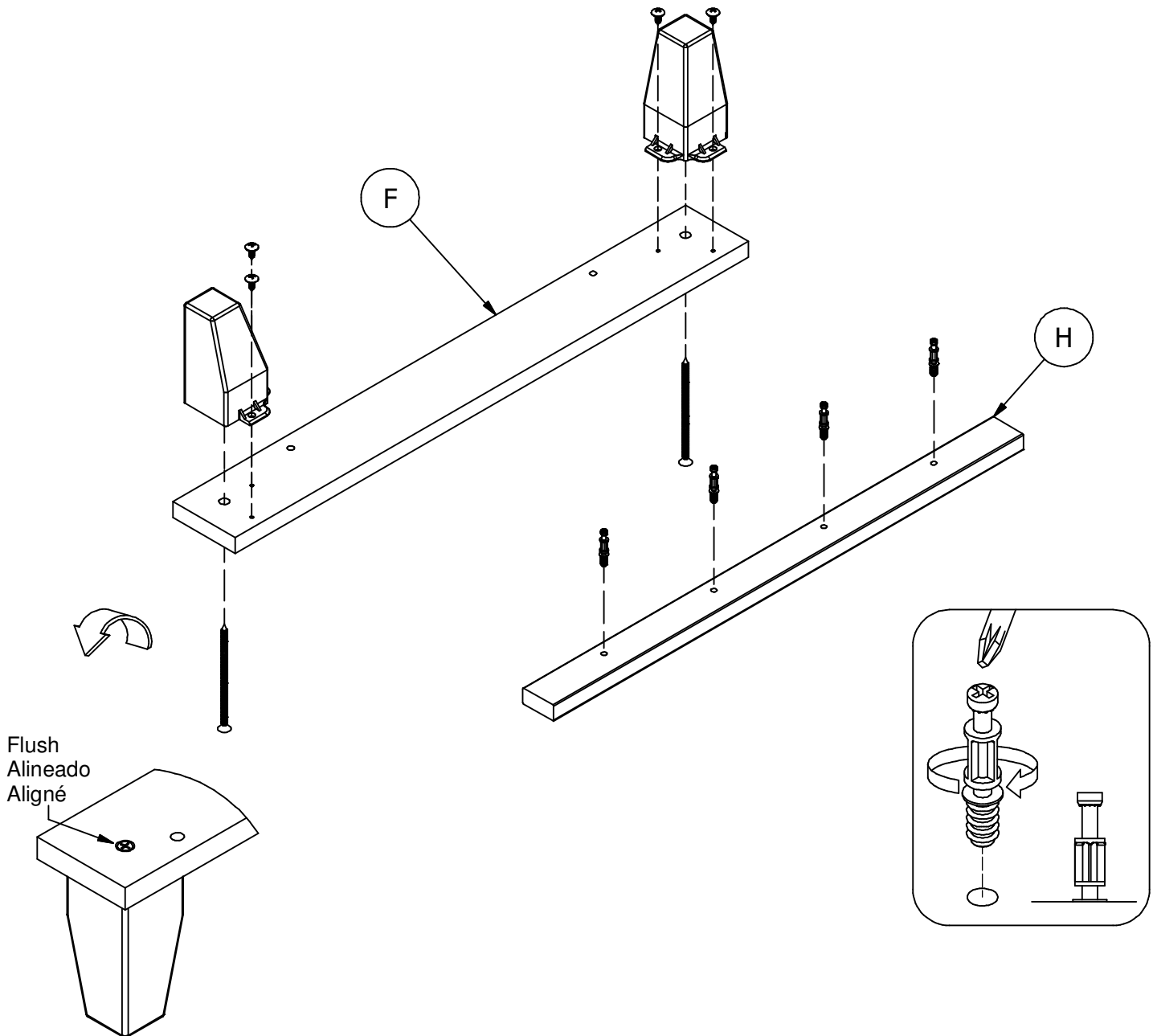
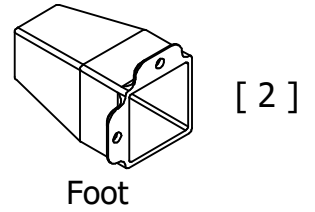
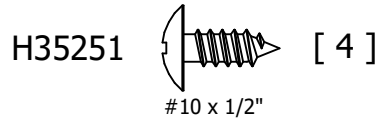
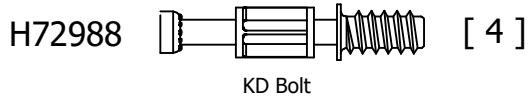
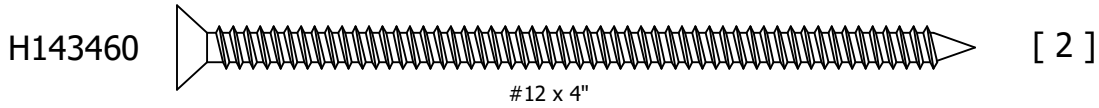


Have an assembly question or need a replacement part? Just call  
**1-800-950-4782**, we are here to help.

# STEP 6

# Assembly Base

A189257D



Have an assembly question or need a replacement part? Just call  
**1-800-950-4782**, we are here to help.

# STEP 7

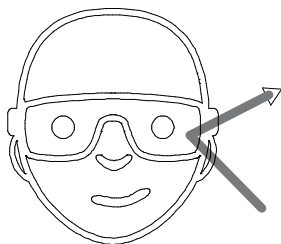
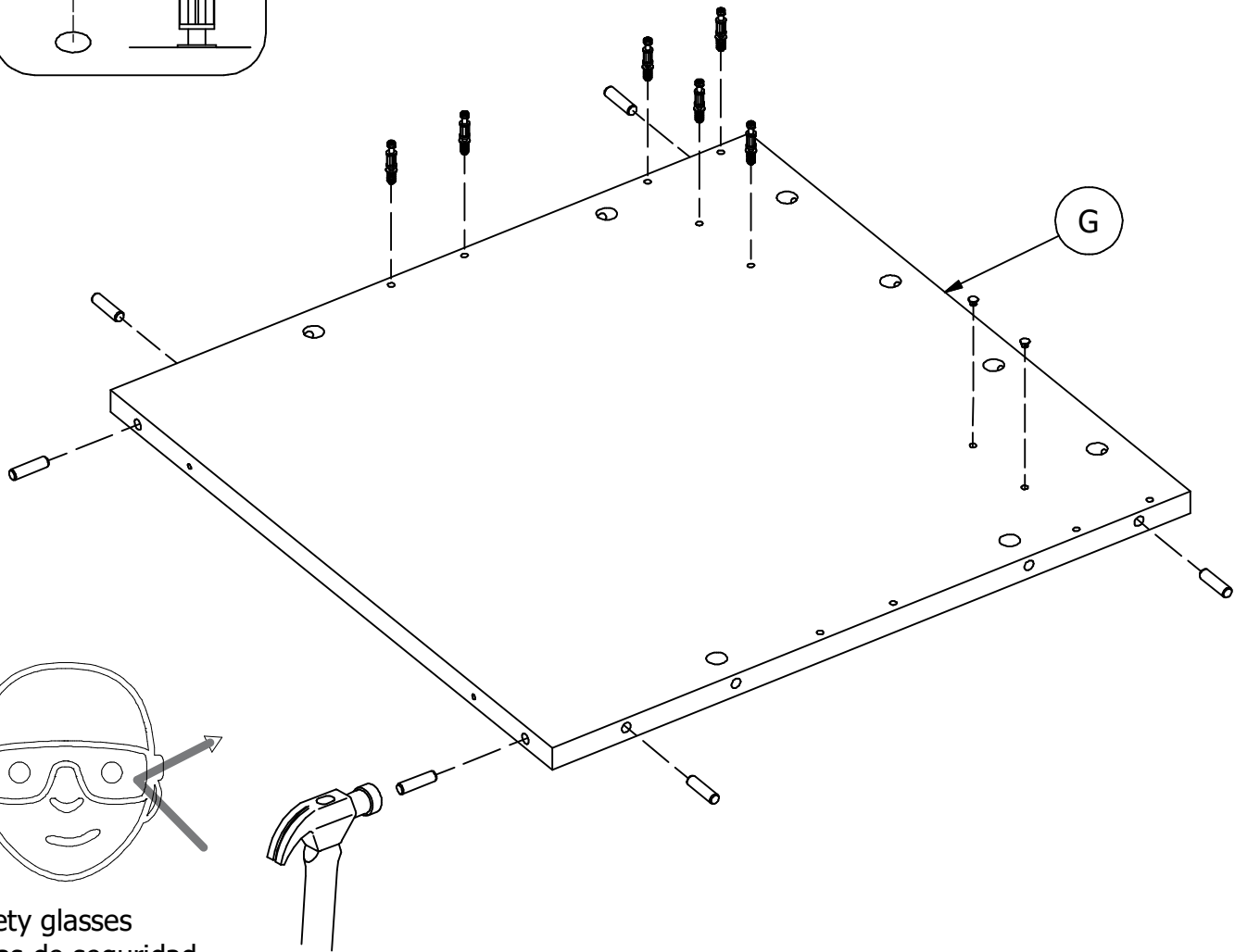
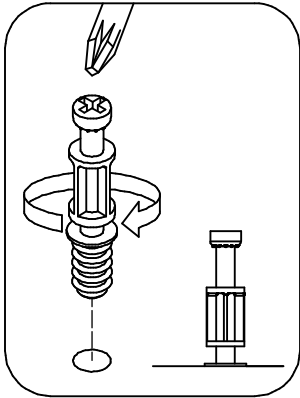
## Prepare Side

A189257D

H72988 [ 6 ]  
KD Bolt

H38169 [ 6 ]  
Wood Dowel 8 x 30

[ 2 ]  
5mm



Safety glasses  
Gafas de seguridad  
Lunettes de protection

Have an assembly question or need a replacement part? Just call  
**1-800-950-4782**, we are here to help.

# STEP 8

## Assemble Leg

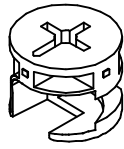
A189257D

Scan QR Code to Watch Video on:



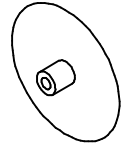
How to Tighten KD Cams

H71659



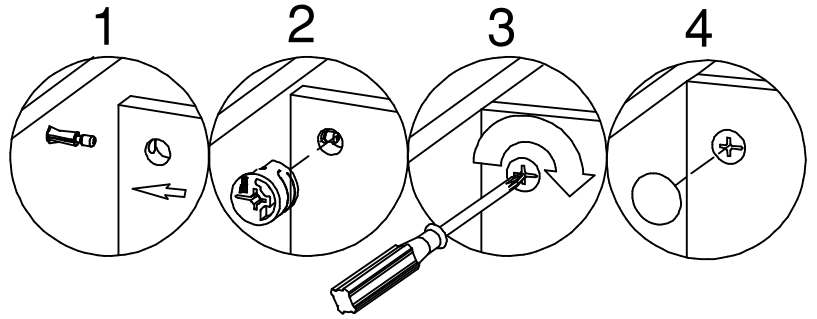
[ 4 ]

KD Cam

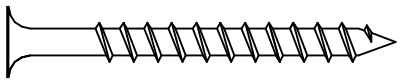


[ 4 ]

Cover Cap

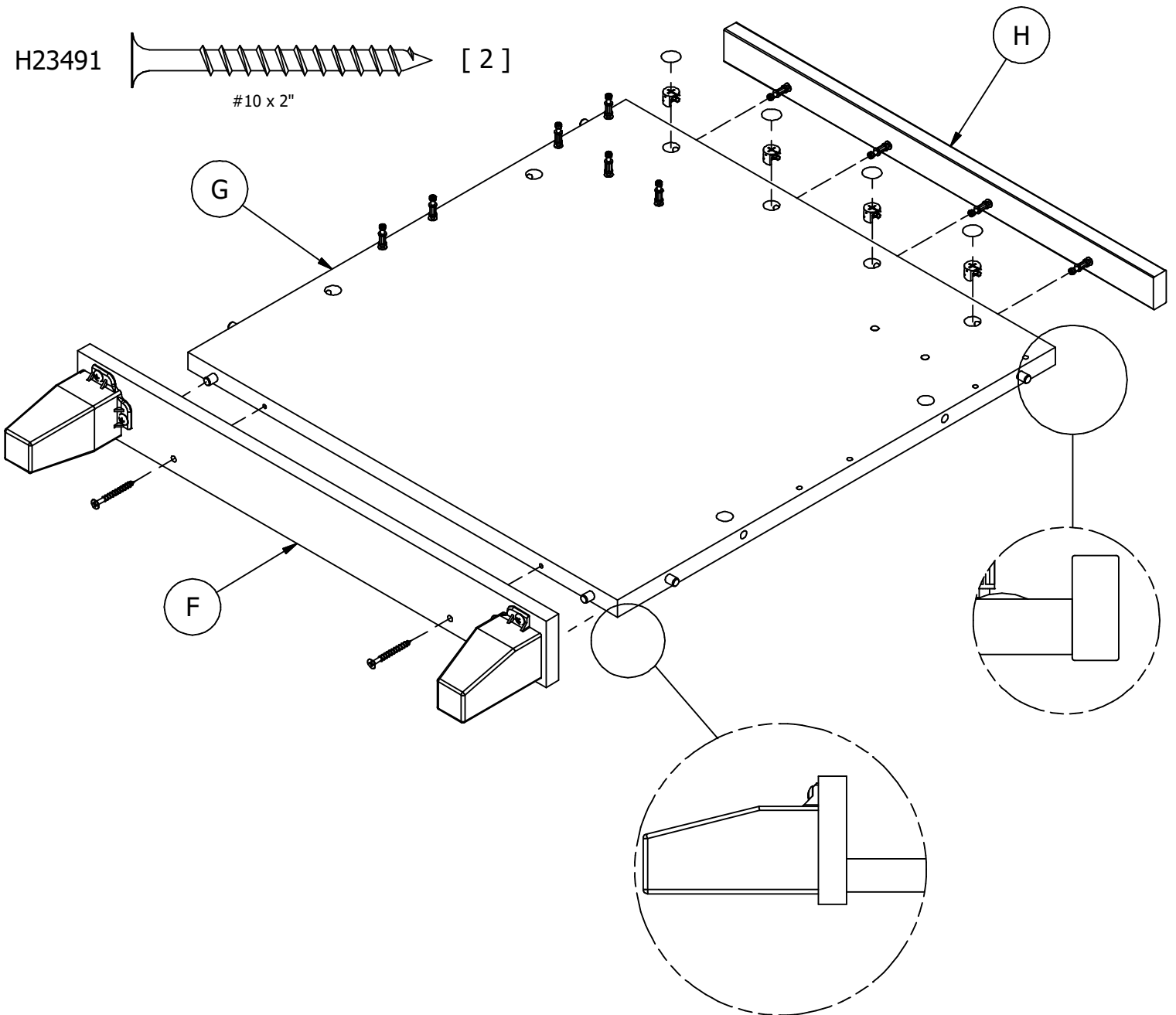


H23491



[ 2 ]

#10 x 2"



Have an assembly question or need a replacement part? Just call **1-800-950-4782**, we are here to help.

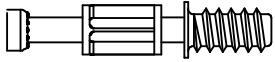


# STEP 9

# Prepare Rails

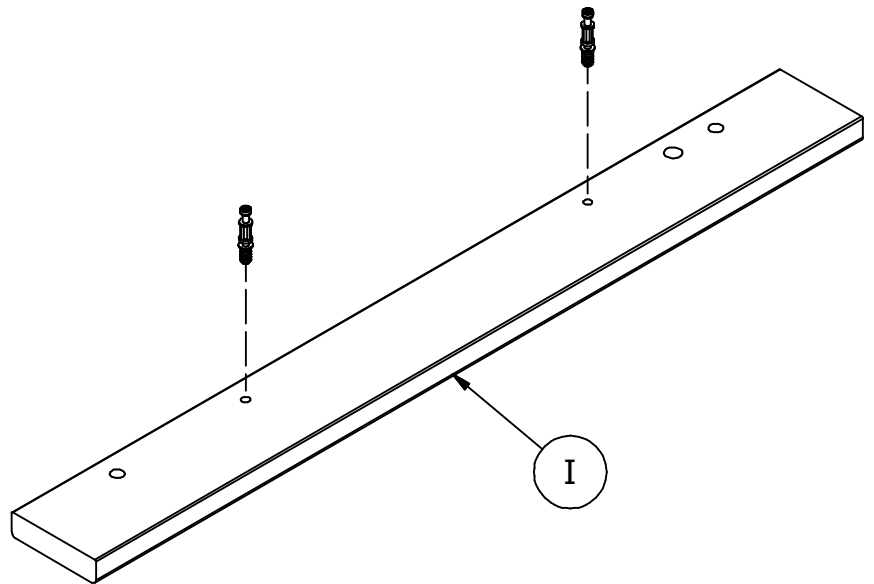
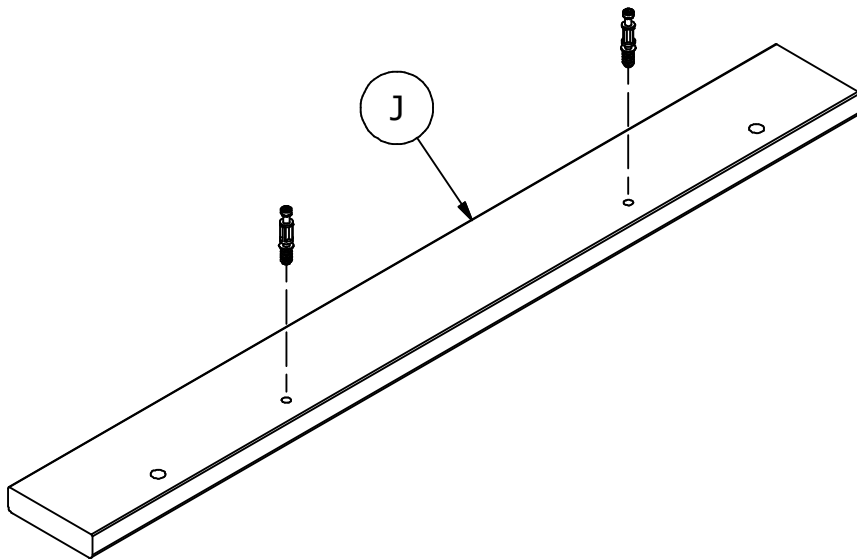
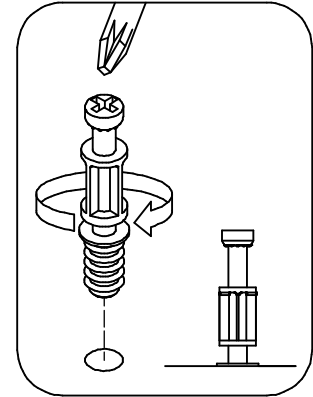
A189257D

H72988



[ 4 ]

KD Bolt



Have an assembly question or need a replacement part? Just call  
**1-800-950-4782**, we are here to help.

# STEP 10

## Assemble Modesty Panel

A189257D

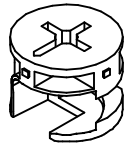
Scan QR Code to Watch Video on:



How to Tighten KD Cams

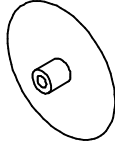


H71659



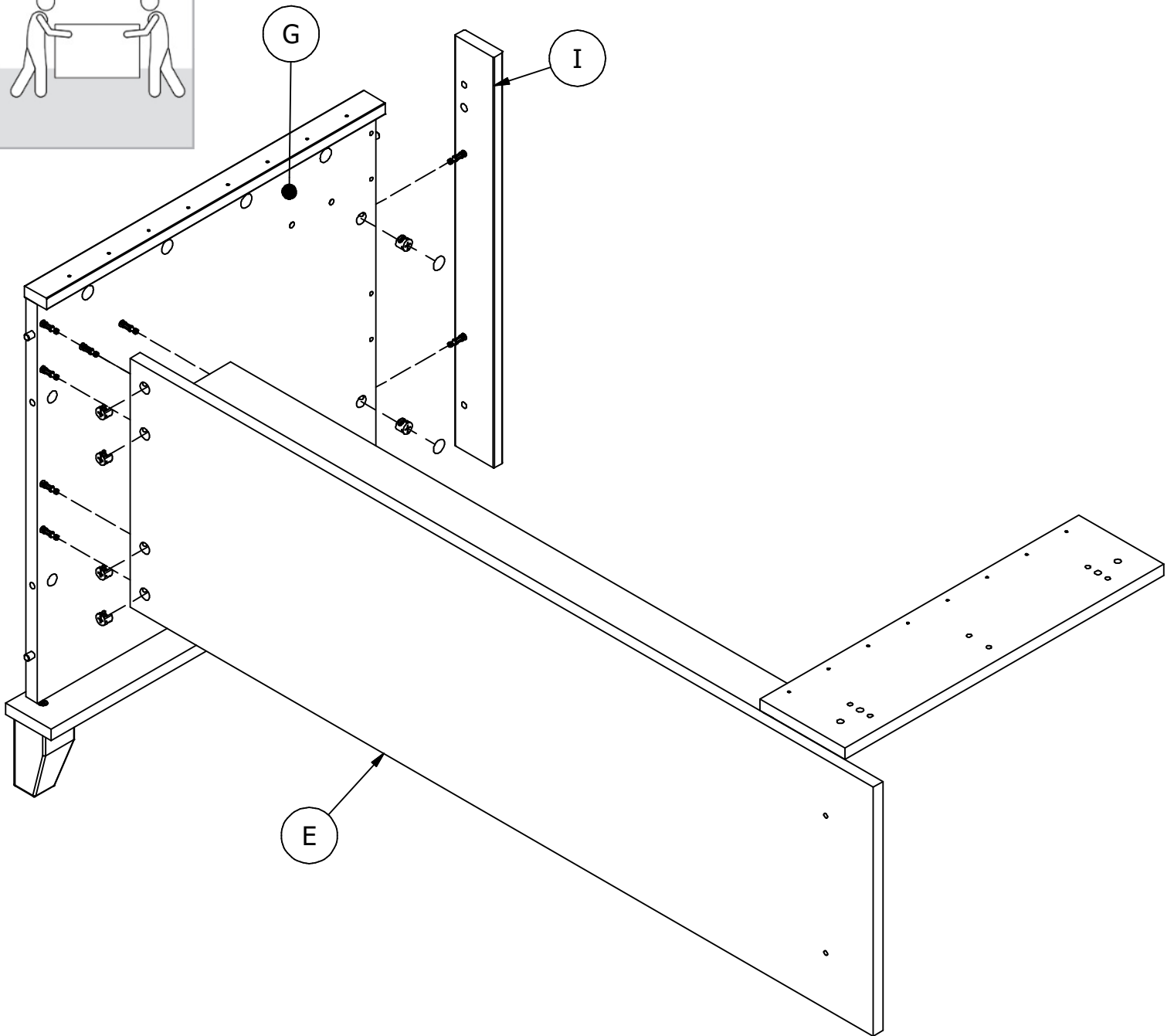
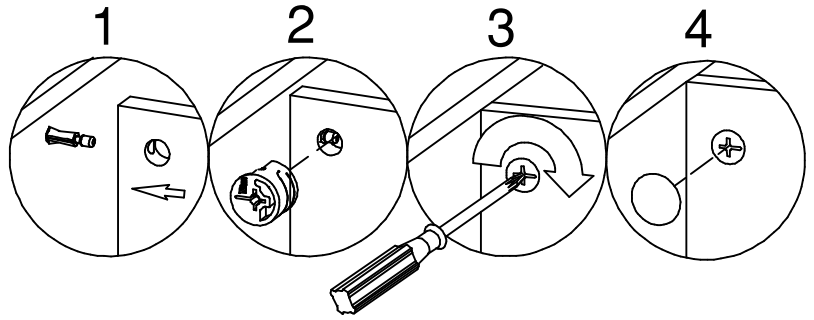
[ 6 ]

KD Cam



[ 2 ]

Cover Cap



Have an assembly question or need a replacement part? Just call **1-800-950-4782**, we are here to help.

# STEP 11

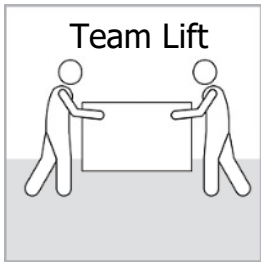
## Assemble Modesty Panel

A189257D

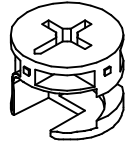
Scan QR Code to Watch Video on:



How to Tighten KD Cams

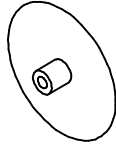


H71659



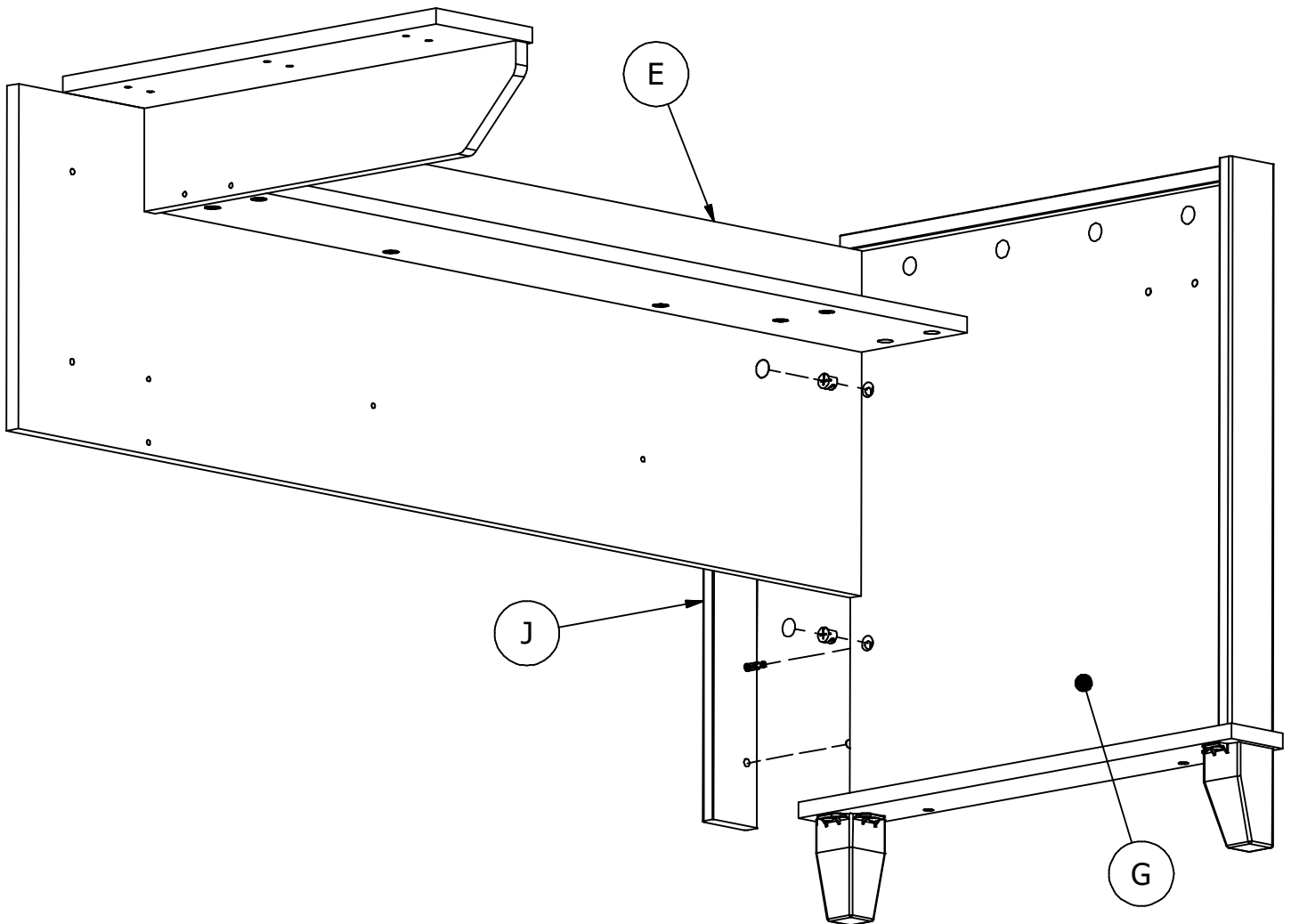
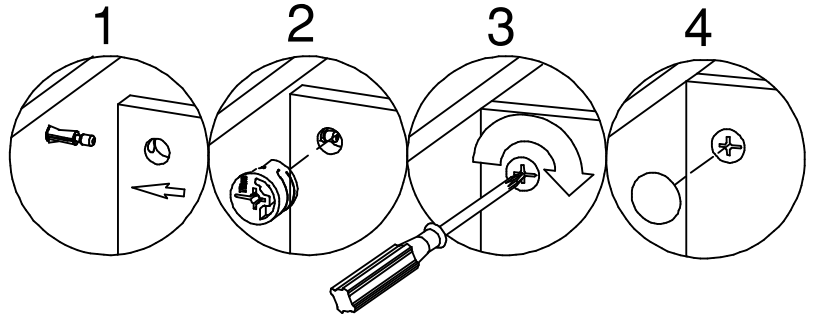
KD Cam

[ 4 ]

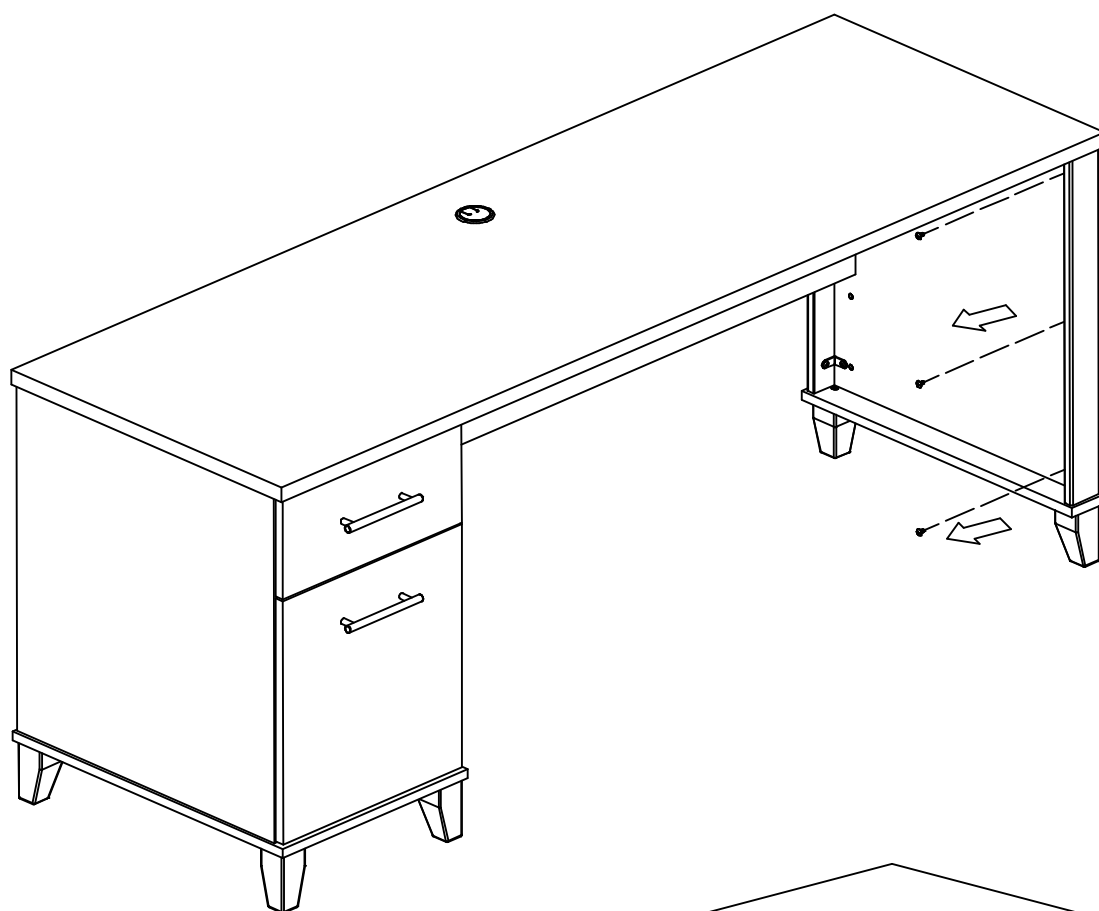


Cover Cap

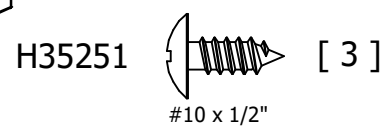
[ 2 ]



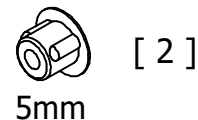
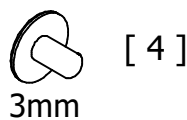
Have an assembly question or need a replacement part? Just call **1-800-950-4782**, we are here to help.



Remove & Discard  
Eliminar y desechar  
Supprimer et rejeter

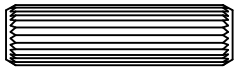


Remove & Discard  
Eliminar y desechar  
Supprimer et rejeter



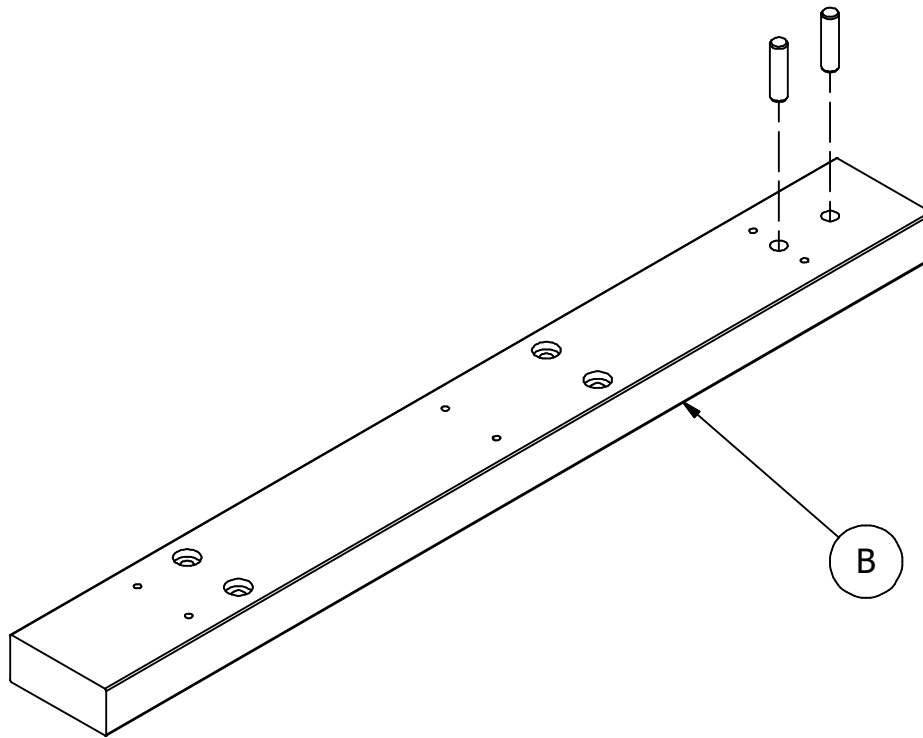
Have an assembly question or need a replacement part? Just call  
**1-800-950-4782**, we are here to help.

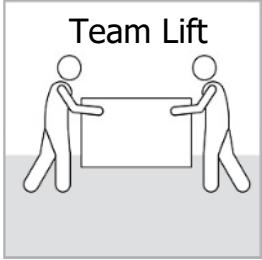
H38169



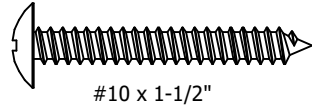
[ 2 ]

Wood Dowel 8 x 30



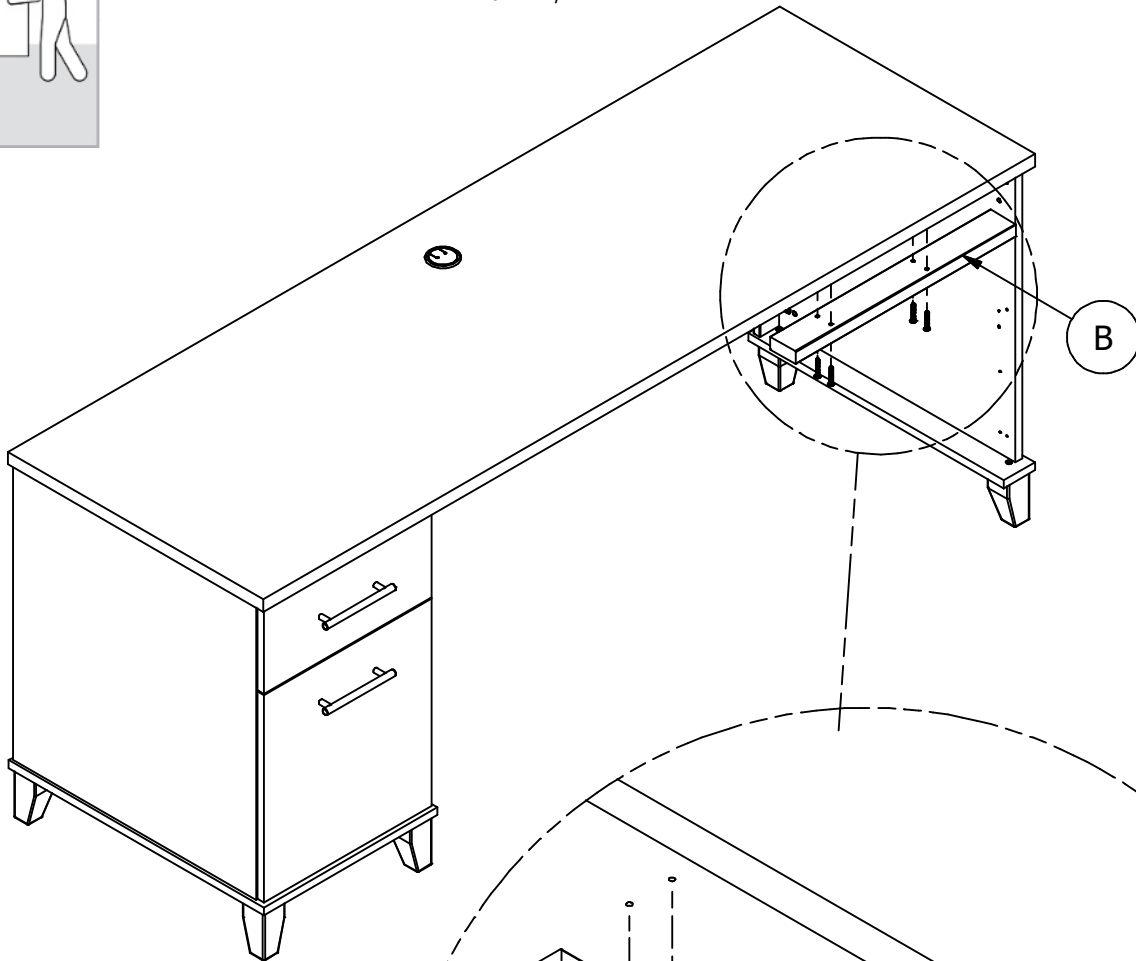


H23468

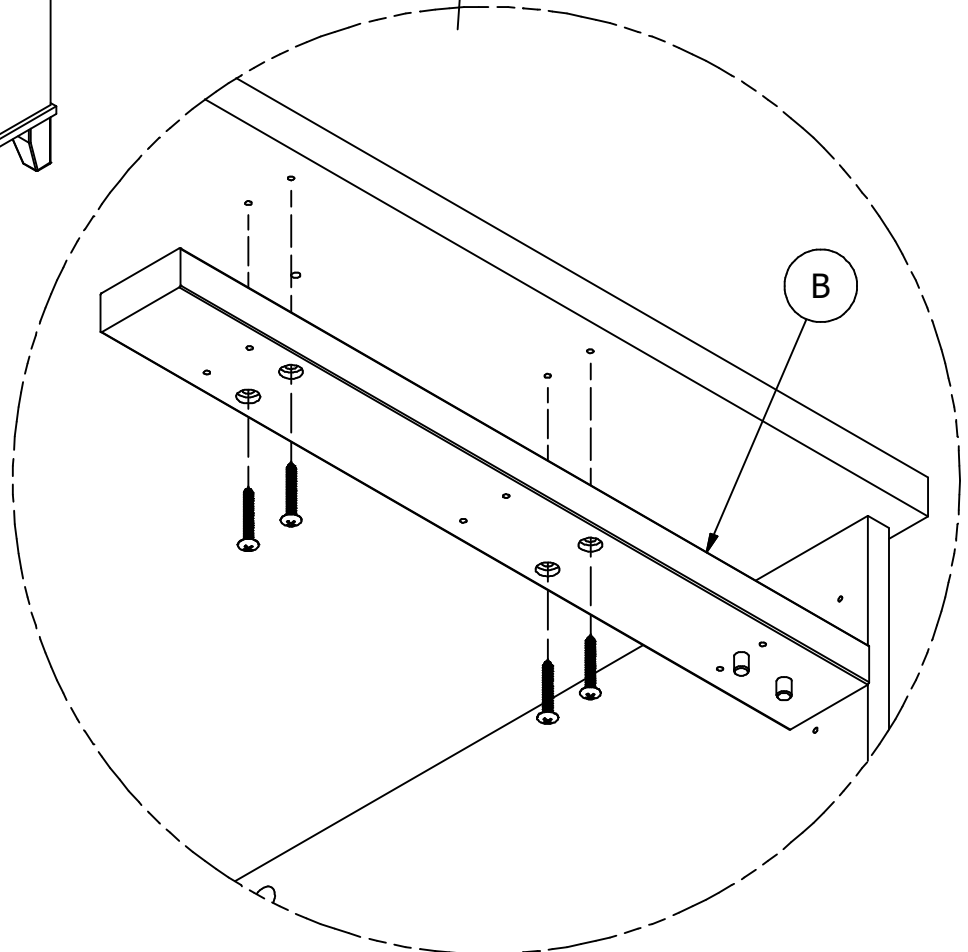


[ 4 ]

#10 x 1-1/2"

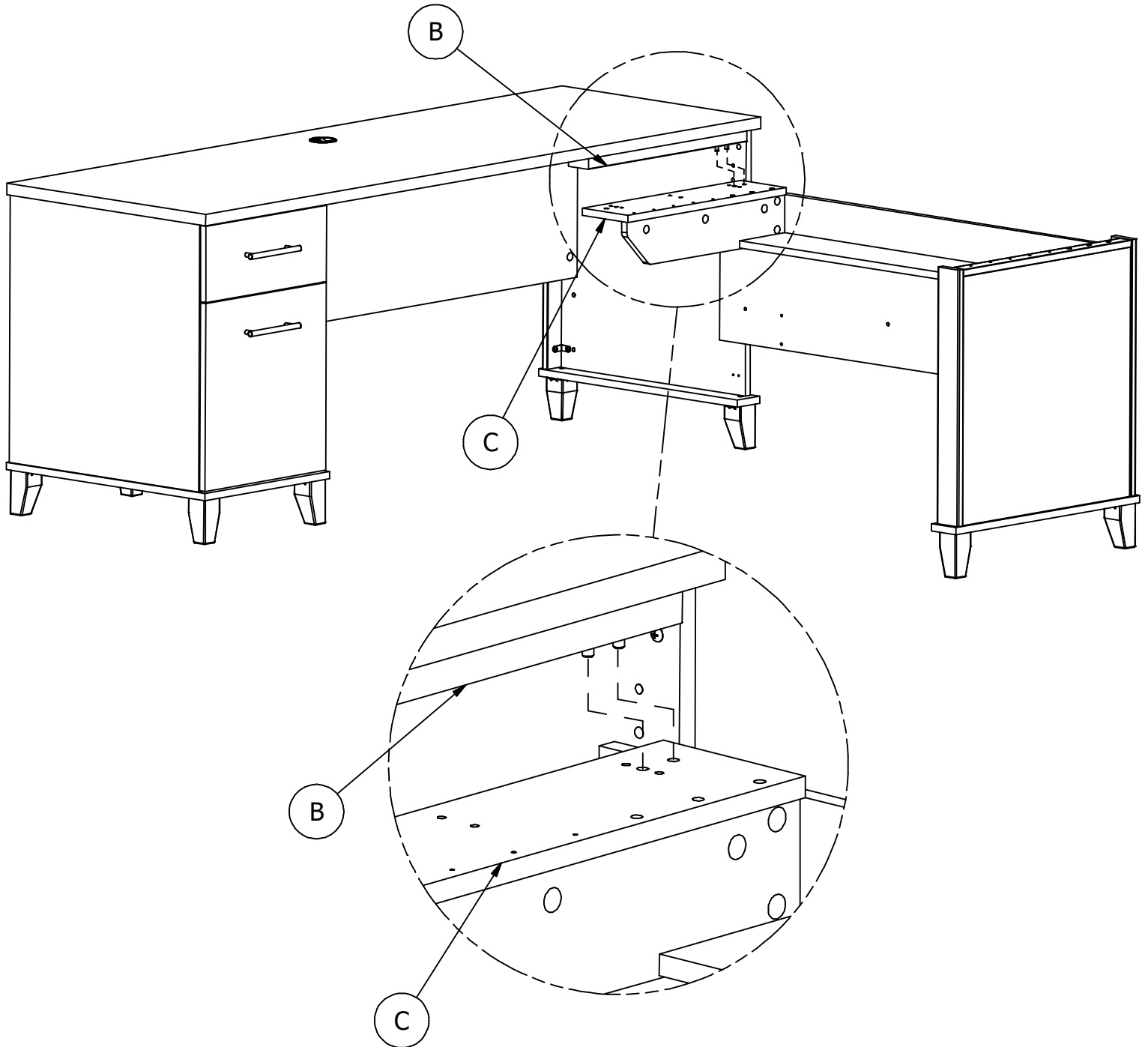
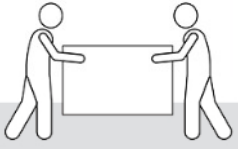


Assemble in final location.  
Arme la unidad en el lugar destinado.  
Assemblez en position finale




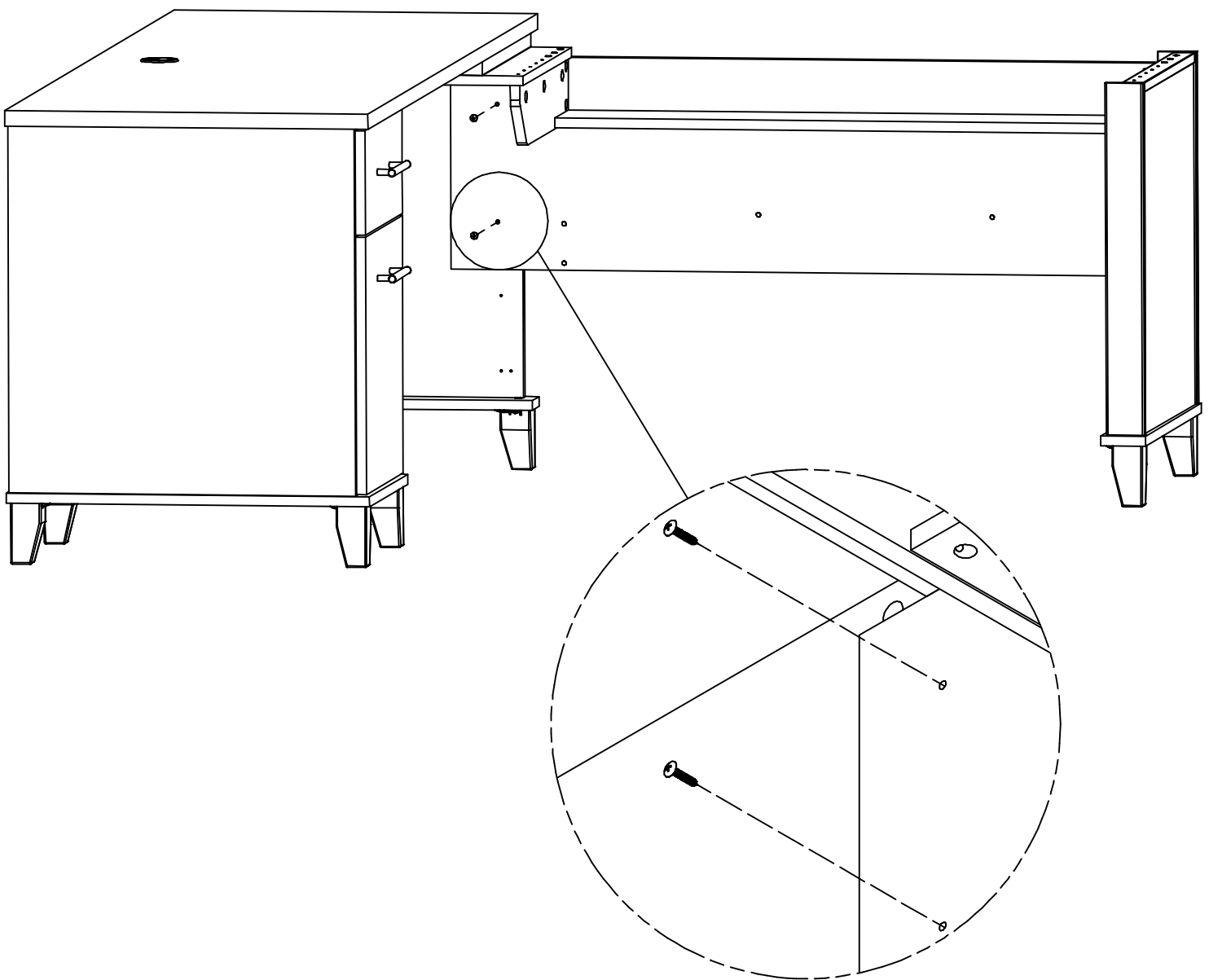
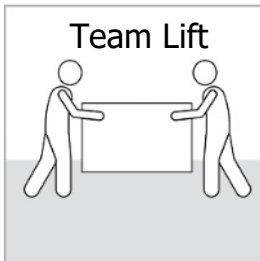
Have an assembly question or need a replacement part? Just call  
**1-800-950-4782**, we are here to help.

Team Lift



Have an assembly question or need a replacement part? Just call  
**1-800-950-4782**, we are here to help.

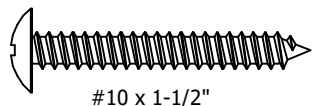
H23682  [ 2 ]  
#10 x 1"



Have an assembly question or need a replacement part? Just call  
**1-800-950-4782**, we are here to help.

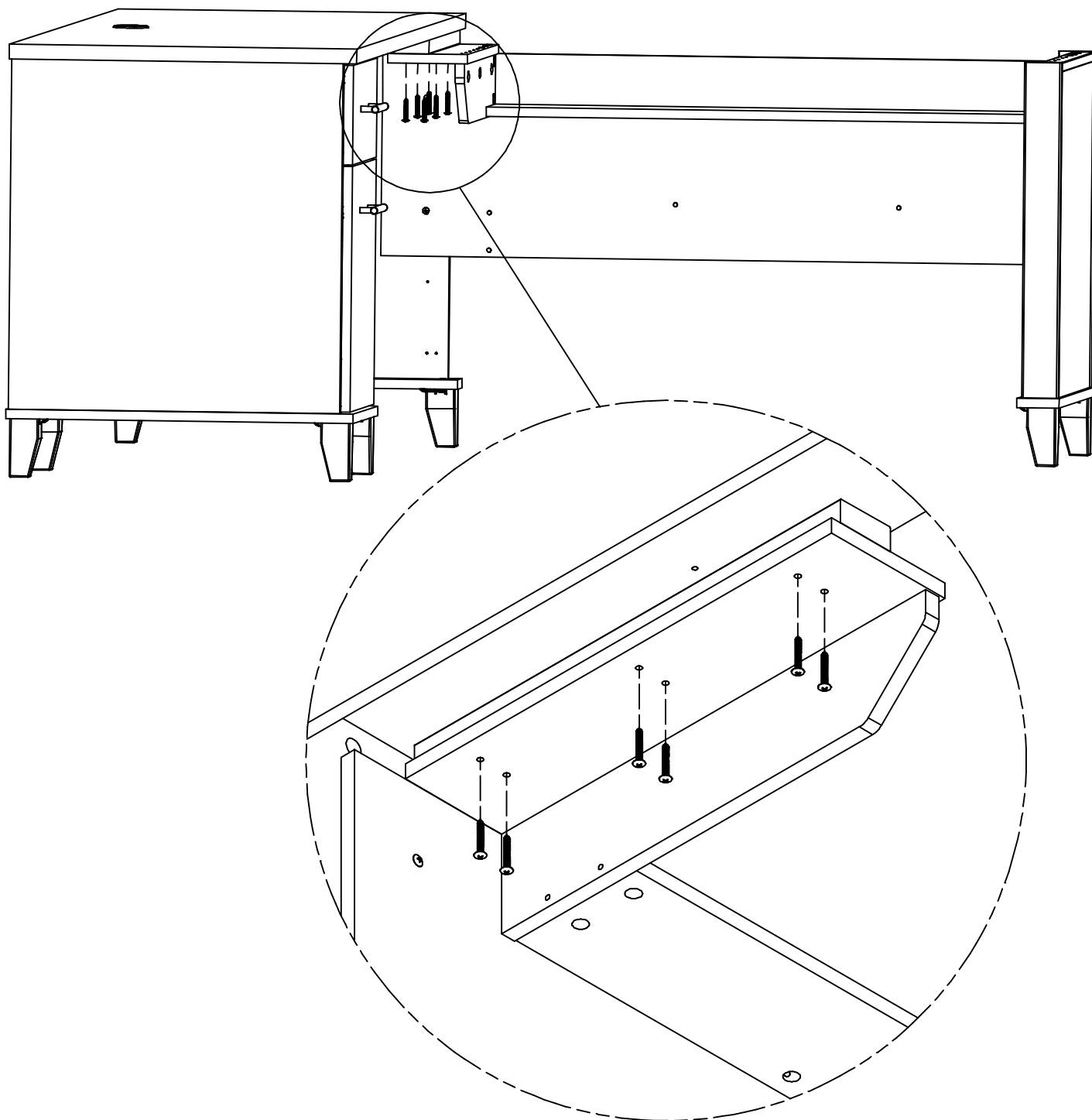


H23468



[ 6 ]

#10 x 1-1/2"



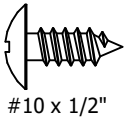
Have an assembly question or need a replacement part? Just call  
**1-800-950-4782**, we are here to help.

# STEP 18

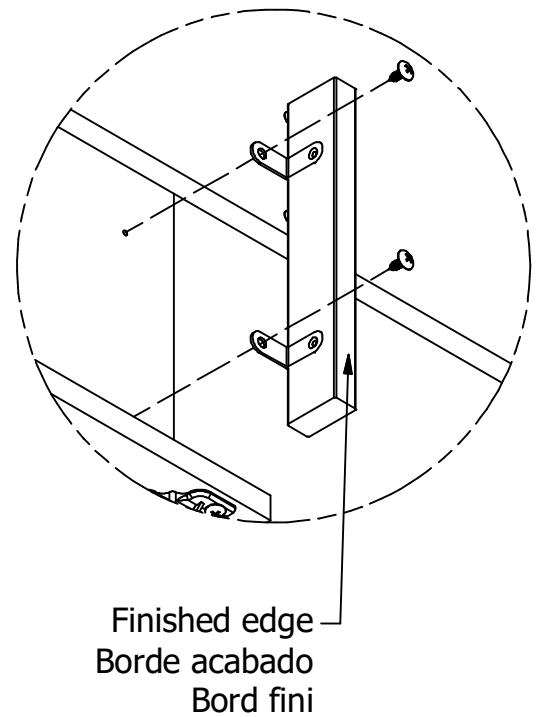
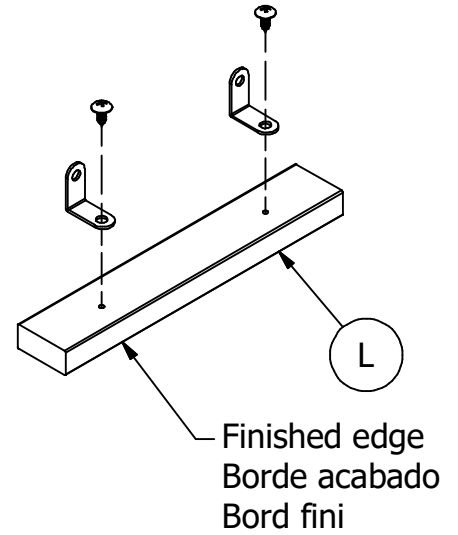
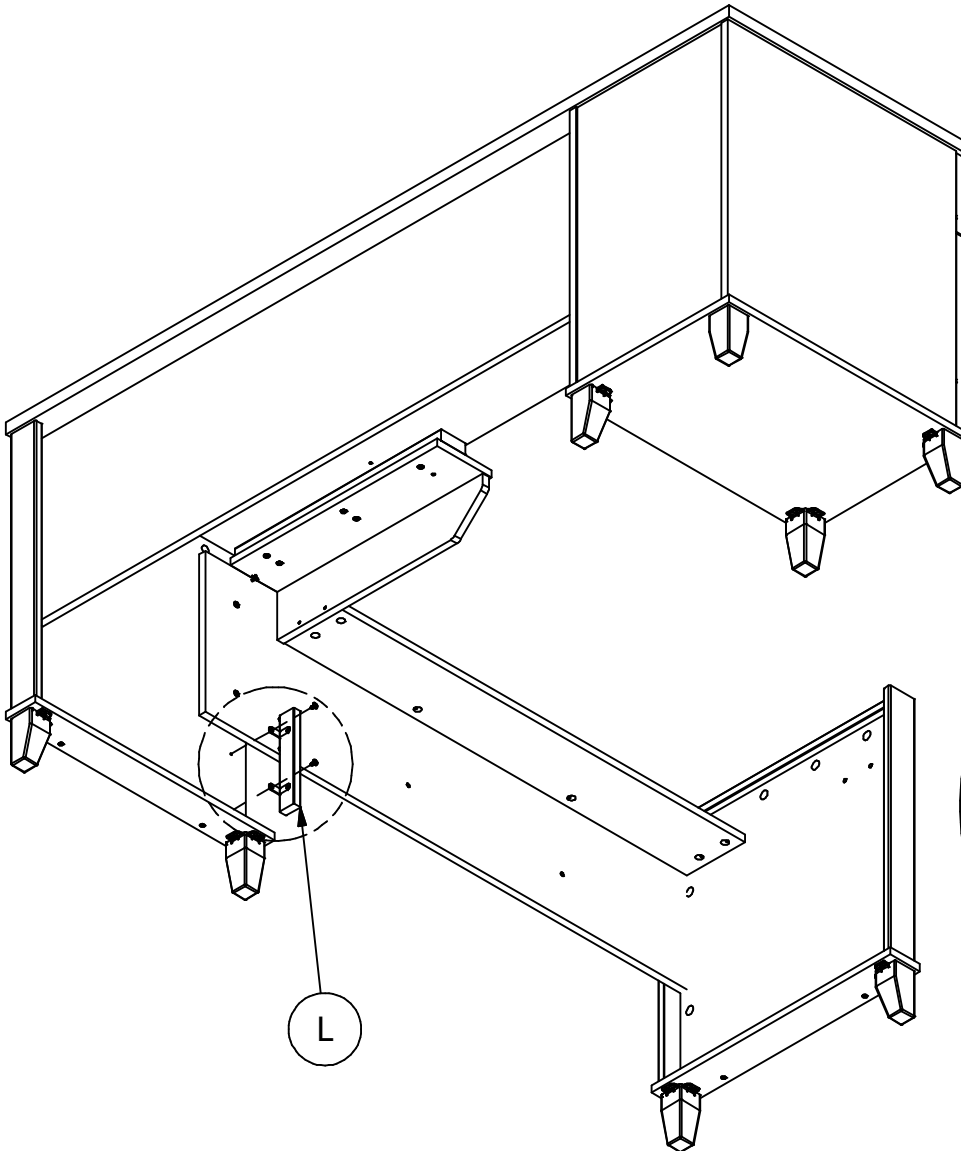
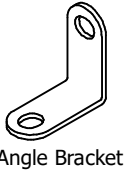
# Assemble Rail

A189257D

H35251 [ 4 ]  
#10 x 1/2"



H67187 [ 2 ]  
Angle Bracket



Go to Step 36.  
Proceda al paso 36.  
Allez à l'étape 36.

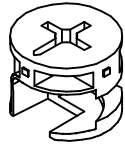
Have an assembly question or need a replacement part? Just call  
**1-800-950-4782**, we are here to help.

Scan QR Code to Watch Video on:



How to Tighten KD Cams

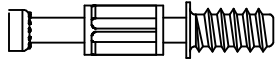
H71659



[ 2 ]

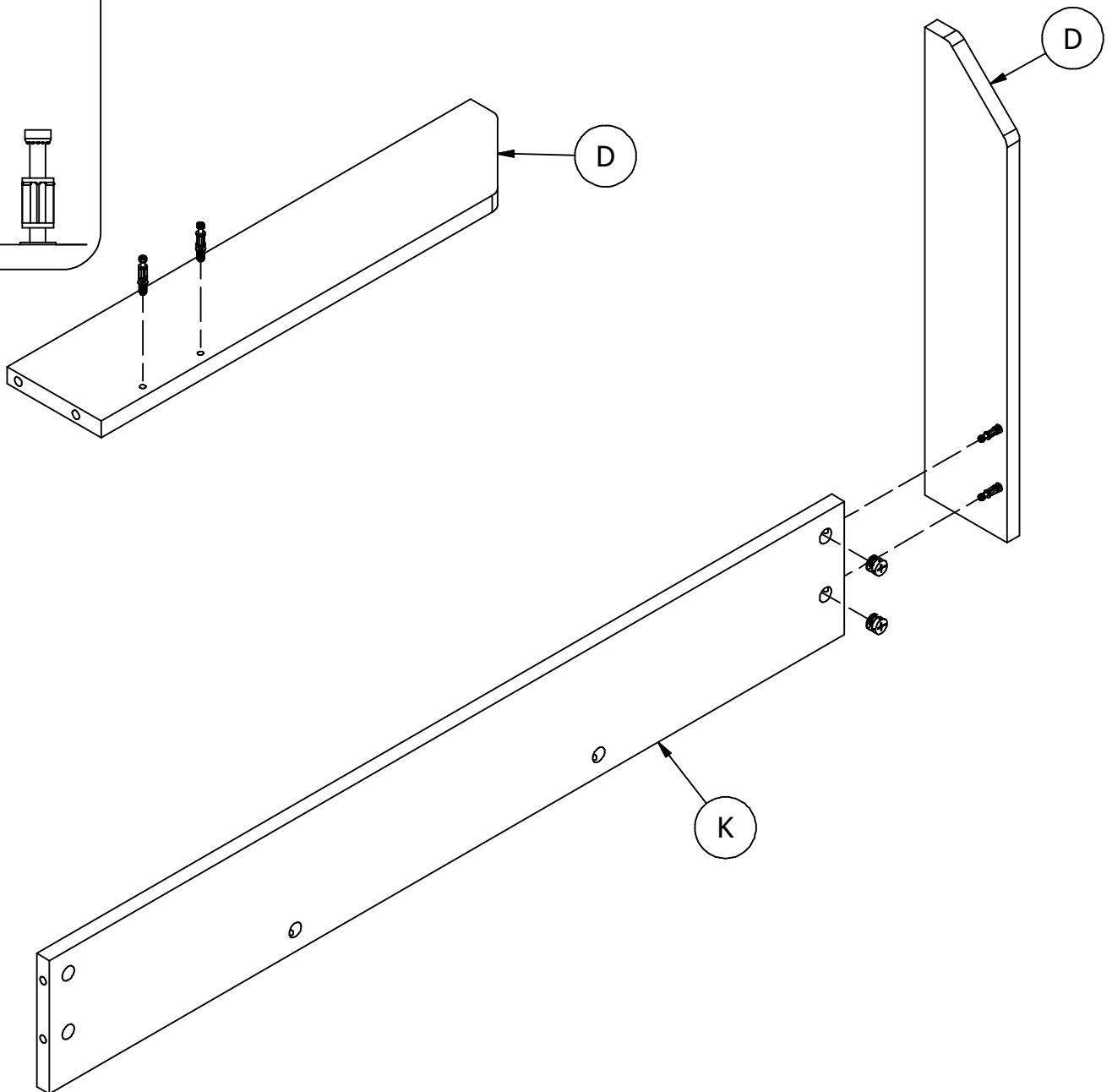
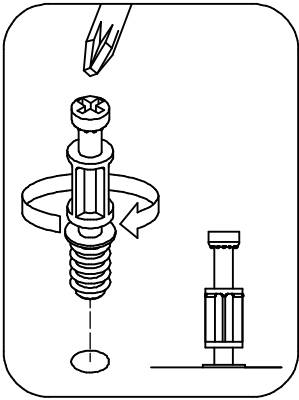
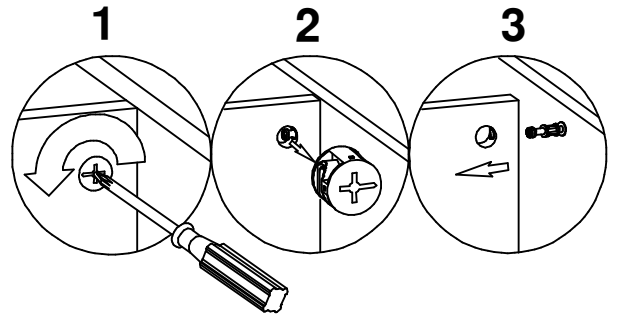
KD Cam

H72988



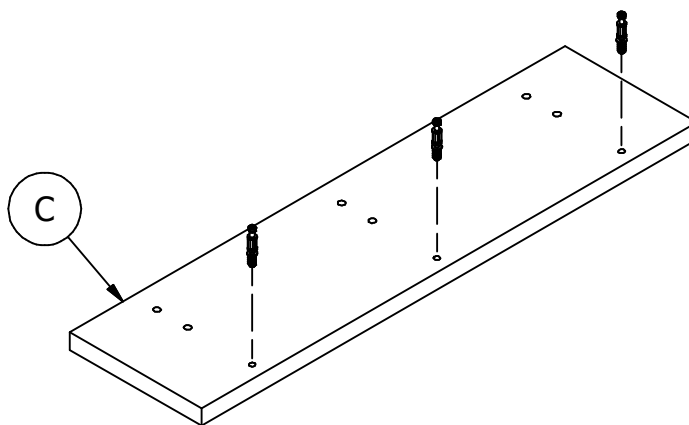
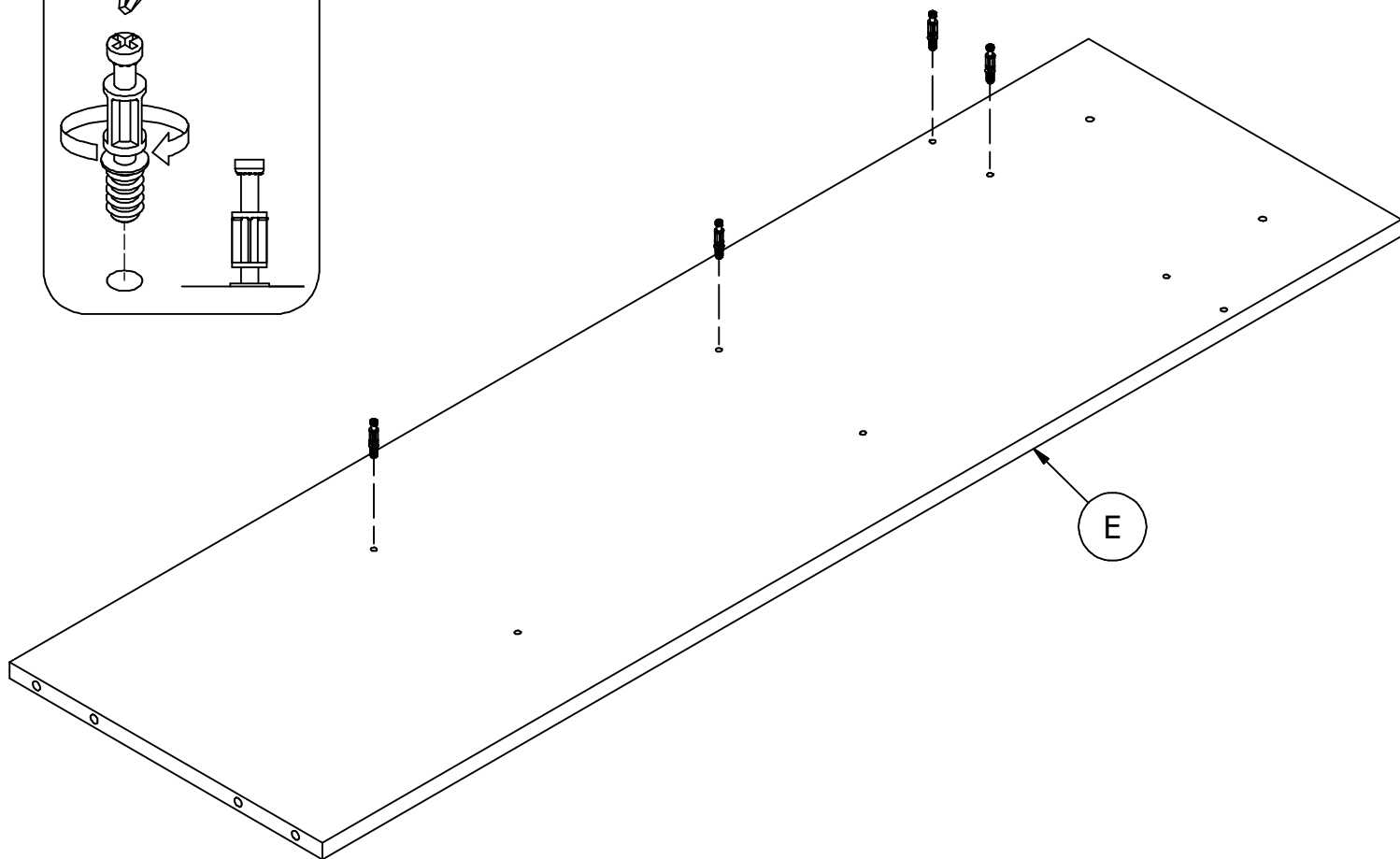
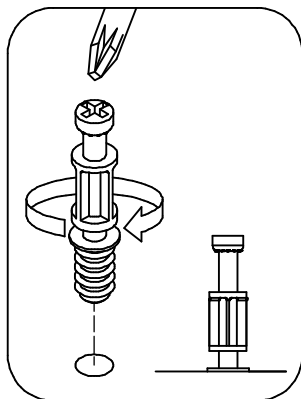
[ 2 ]

KD Bolt



Have an assembly question or need a replacement part? Just call **1-800-950-4782**, we are here to help.

H72988 [ 7 ]  
KD Bolt



Have an assembly question or need a replacement part? Just call  
**1-800-950-4782**, we are here to help.

# STEP 21

# Assemble Panel

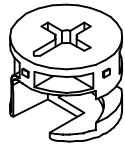
A189257D

Scan QR Code to Watch Video on:



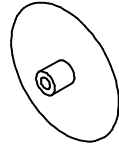
How to Tighten KD Cams

H71659



KD Cam

[ 4 ]



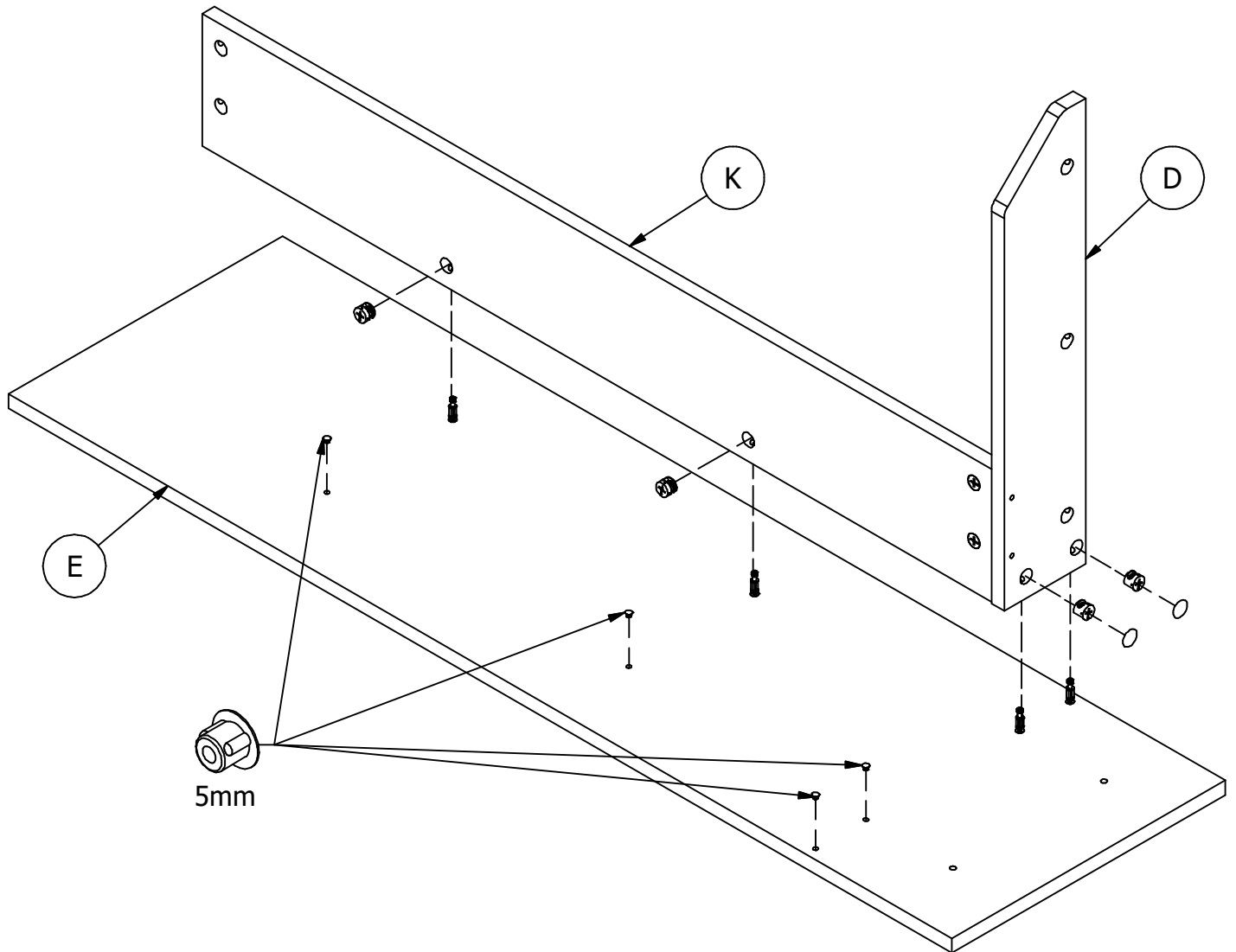
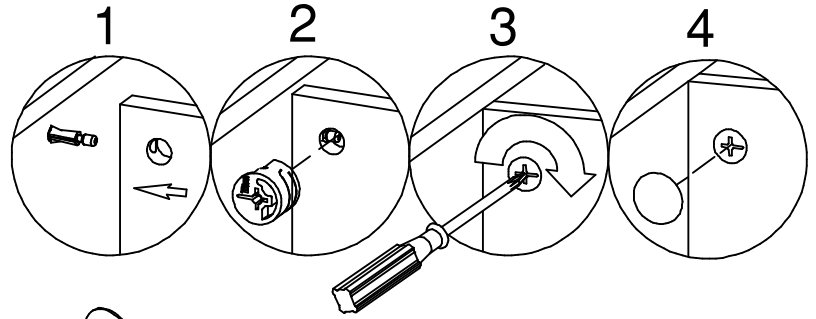
Cover Cap

[ 2 ]



5mm

[ 4 ]



Have an assembly question or need a replacement part? Just call **1-800-950-4782**, we are here to help.

# STEP 22

# Assemble Panel

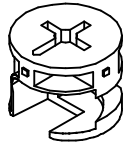
A189257D

Scan QR Code to Watch Video on:



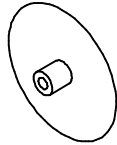
How to Tighten KD Cams

H71659



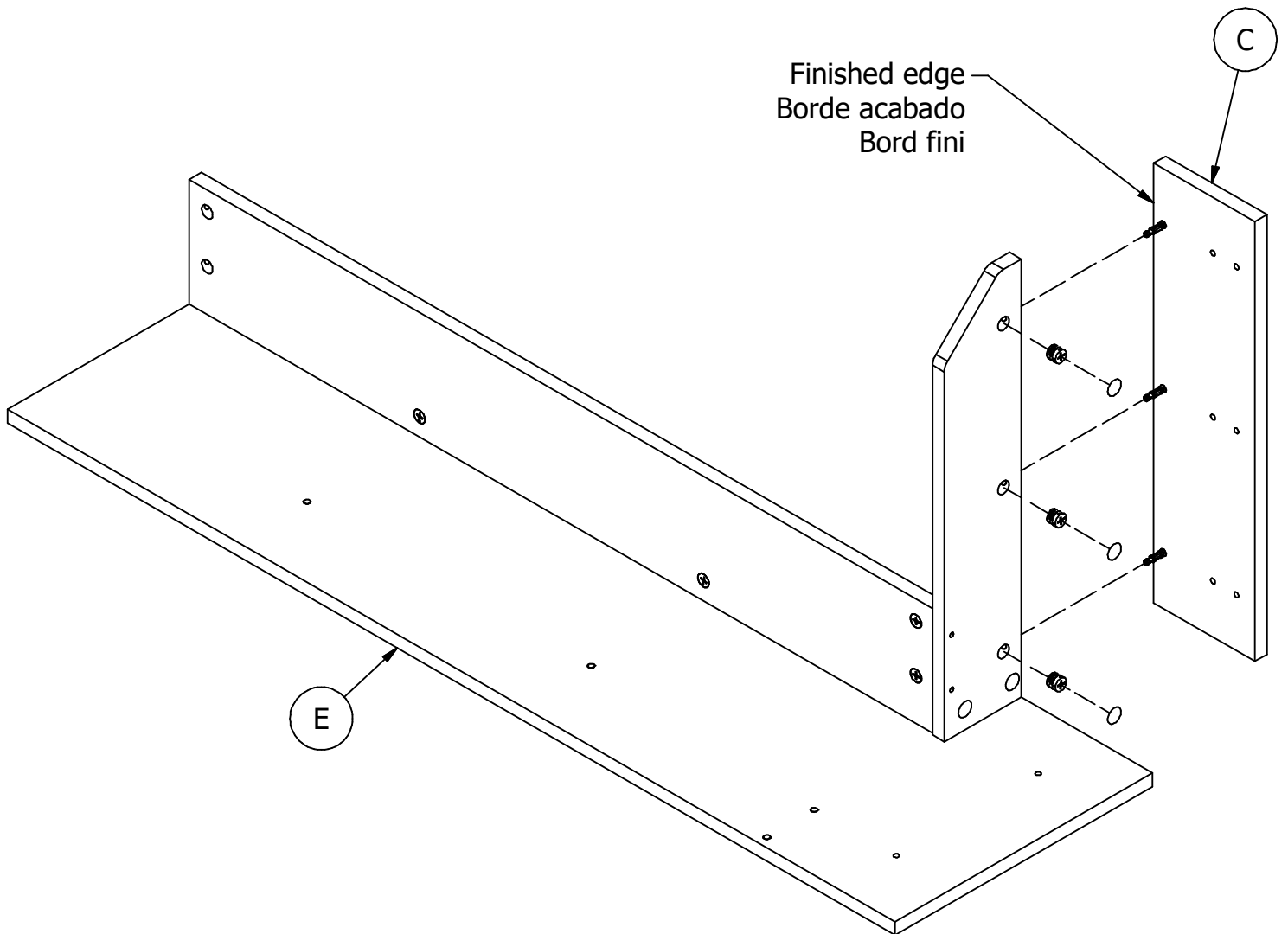
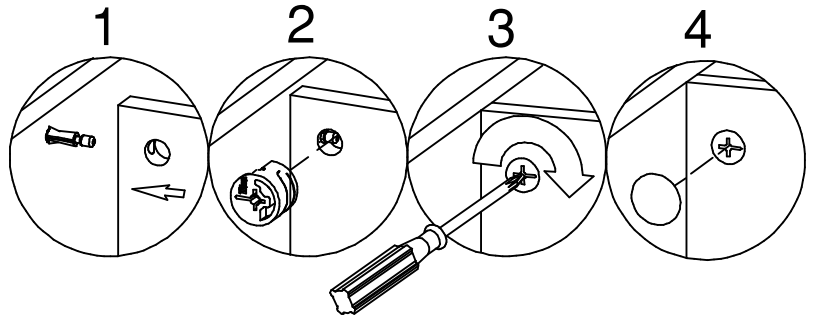
[ 3 ]

KD Cam



[ 3 ]

Cover Cap



Have an assembly question or need a replacement part? Just call **1-800-950-4782**, we are here to help.

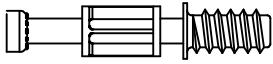


# STEP 24

# Prepare Panel

A189257D

H72988



[ 6 ]

KD Bolt

H38169



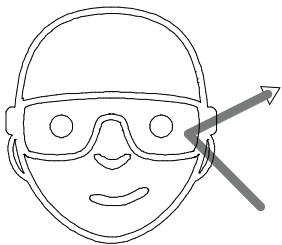
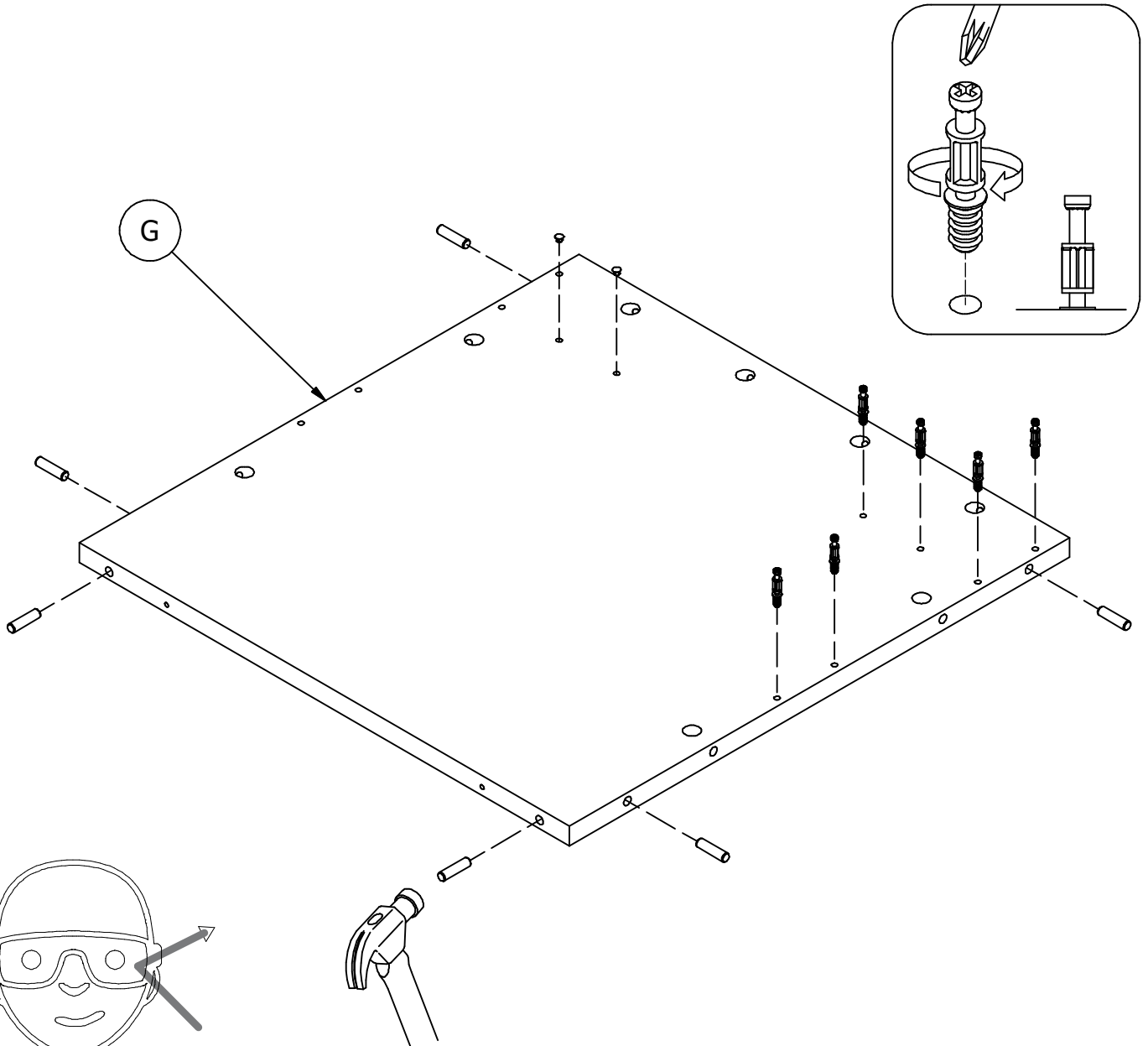
[ 6 ]

Wood Dowel 8 x 30



[ 2 ]

5mm



Safety glasses  
Gafas de seguridad  
Lunettes de protection

Have an assembly question or need a replacement part? Just call  
**1-800-950-4782**, we are here to help.



# STEP 25

# Assemble Panel

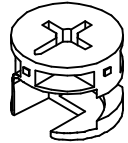
A189257D

Scan QR Code to Watch Video on:



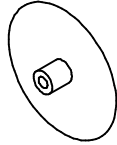
How to Tighten KD Cams

H71659



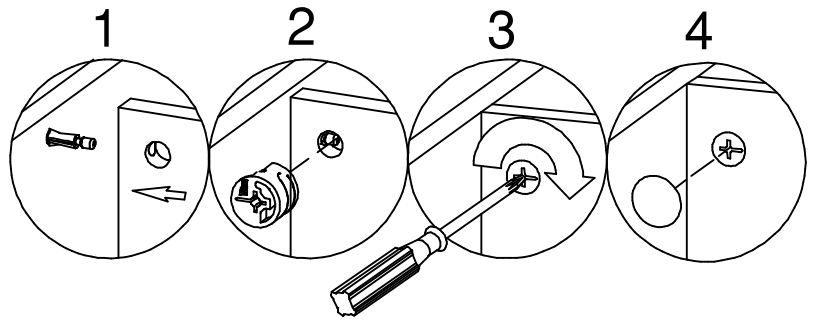
KD Cam

[ 4 ]

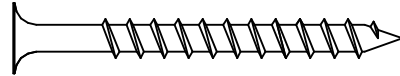


Cover Cap

[ 4 ]

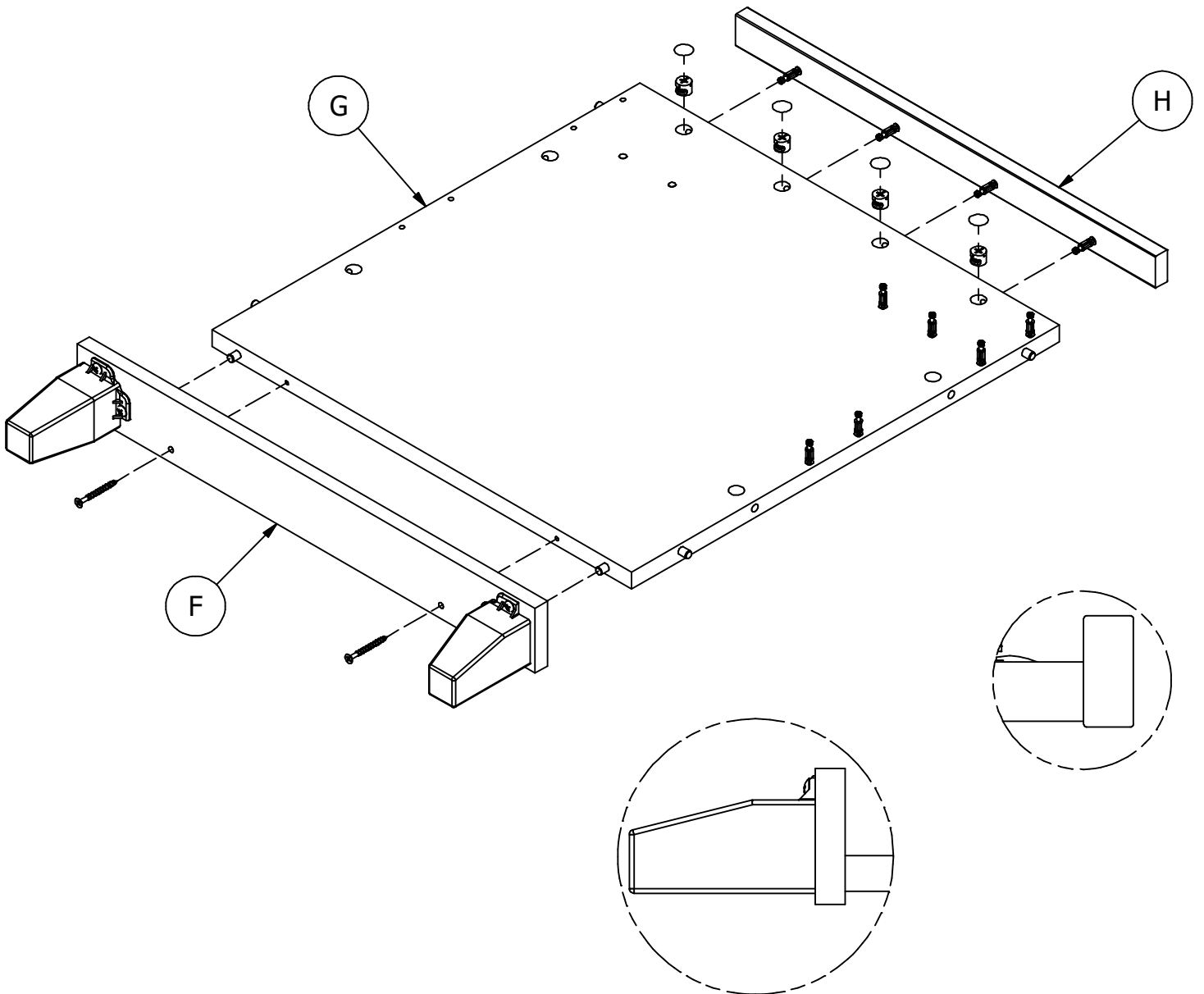


H23491



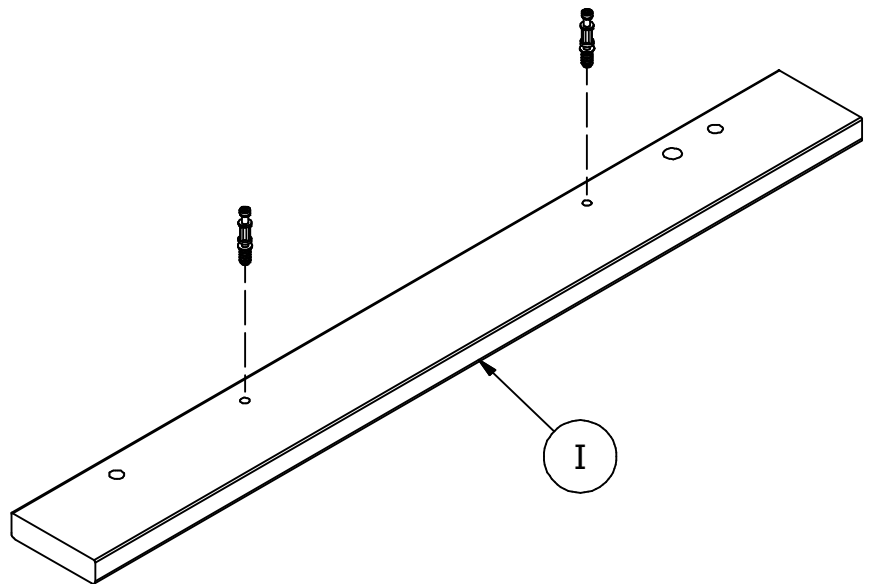
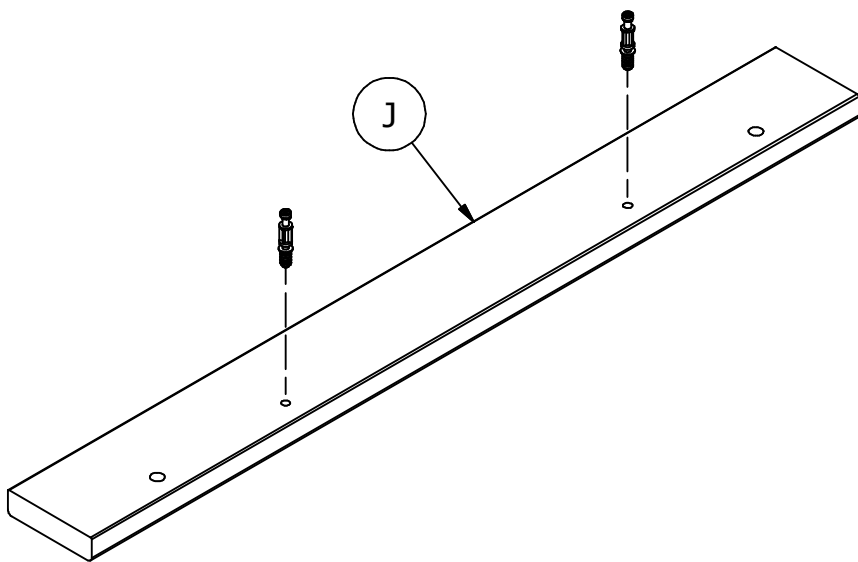
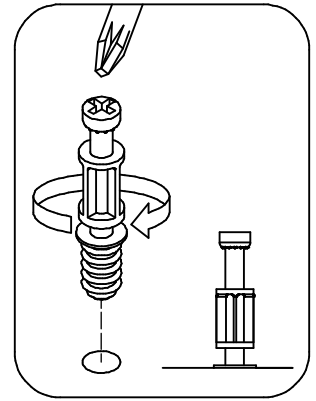
#10 x 2"

[ 2 ]



Have an assembly question or need a replacement part? Just call **1-800-950-4782**, we are here to help.

H72988 [ 4 ]  
KD Bolt



Have an assembly question or need a replacement part? Just call  
**1-800-950-4782**, we are here to help.

# STEP 27

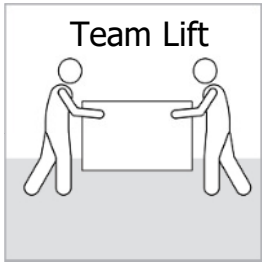
## Assemble Modesty Panel

A189257D

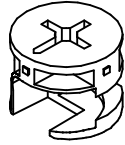
Scan QR Code to Watch Video on:



How to Tighten KD Cams

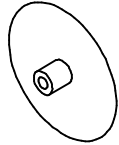


H71659



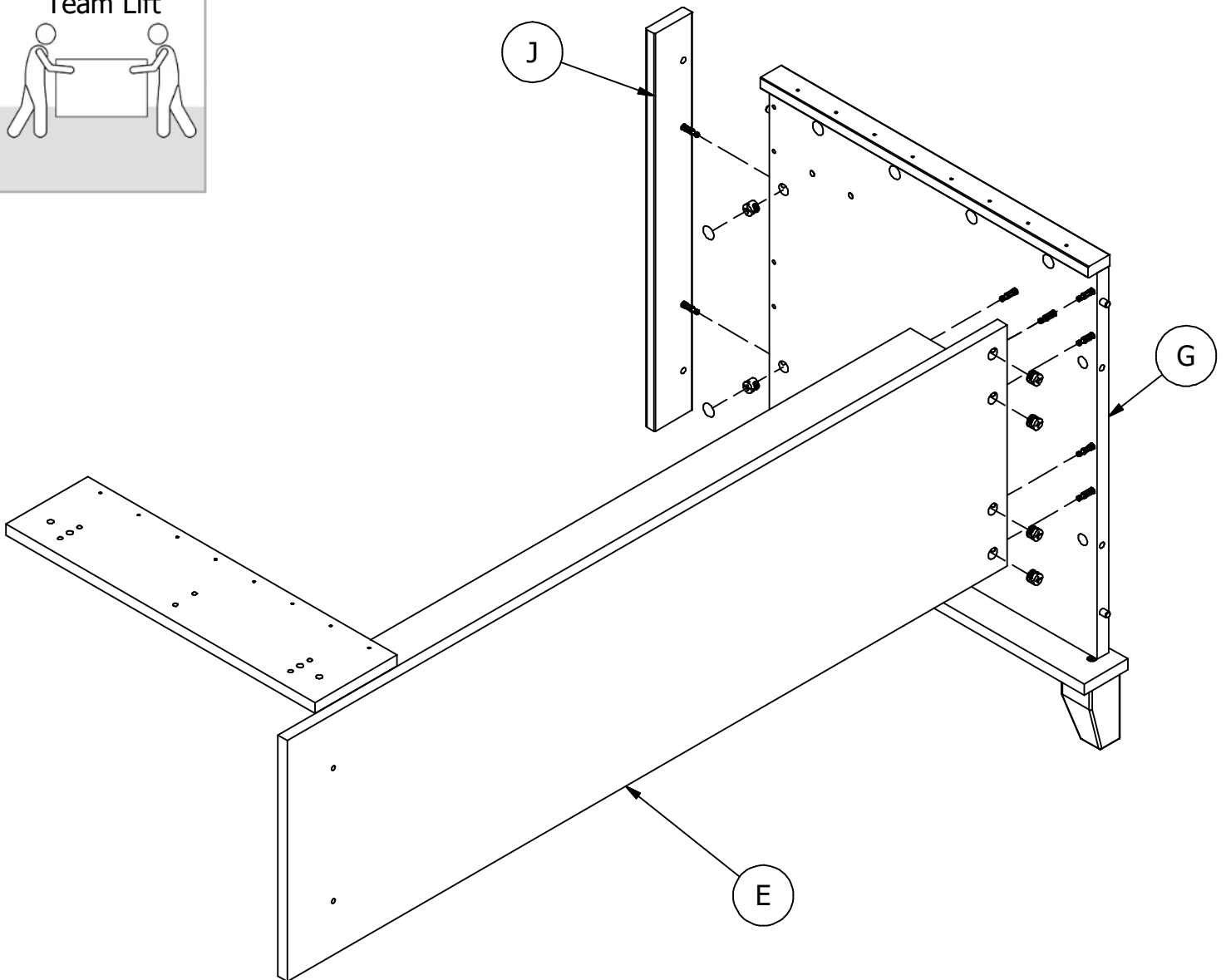
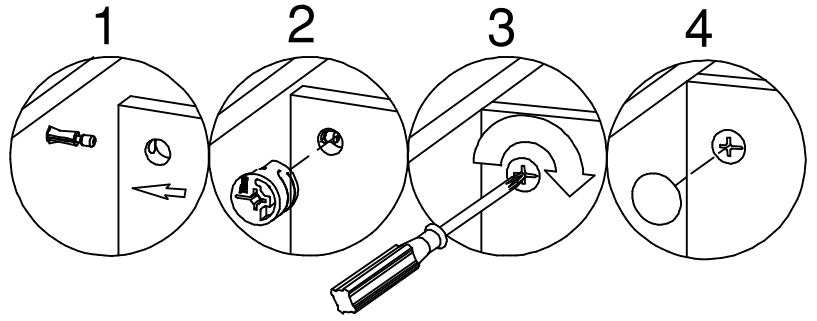
KD Cam

[ 6 ]



Cover Cap

[ 2 ]

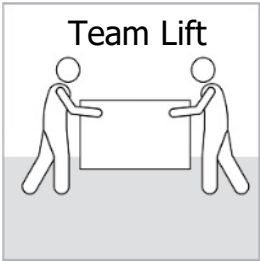


Have an assembly question or need a replacement part? Just call **1-800-950-4782**, we are here to help.

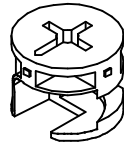
Scan QR Code to Watch Video on:



How to Tighten KD Cams

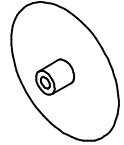


H71659



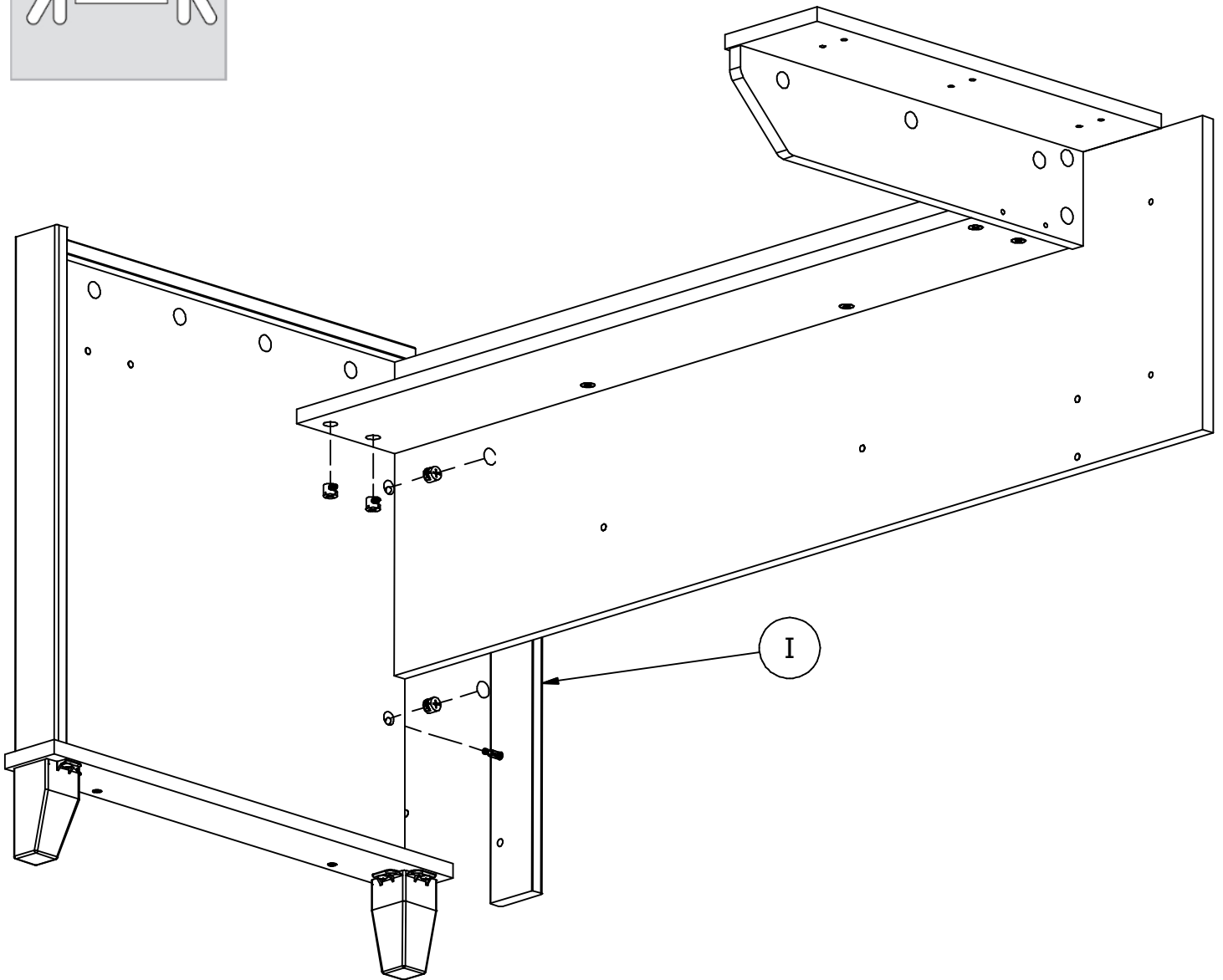
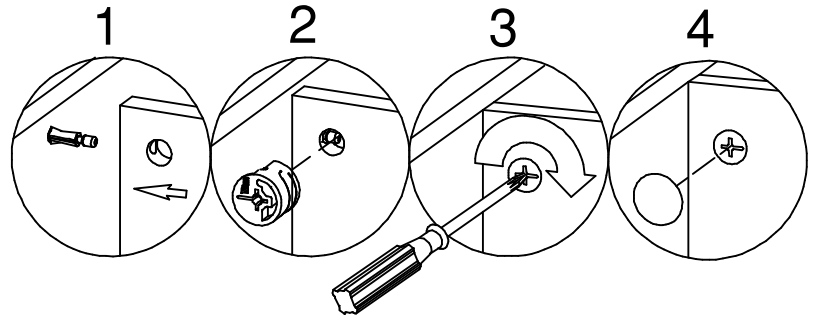
KD Cam

[ 4 ]



Cover Cap

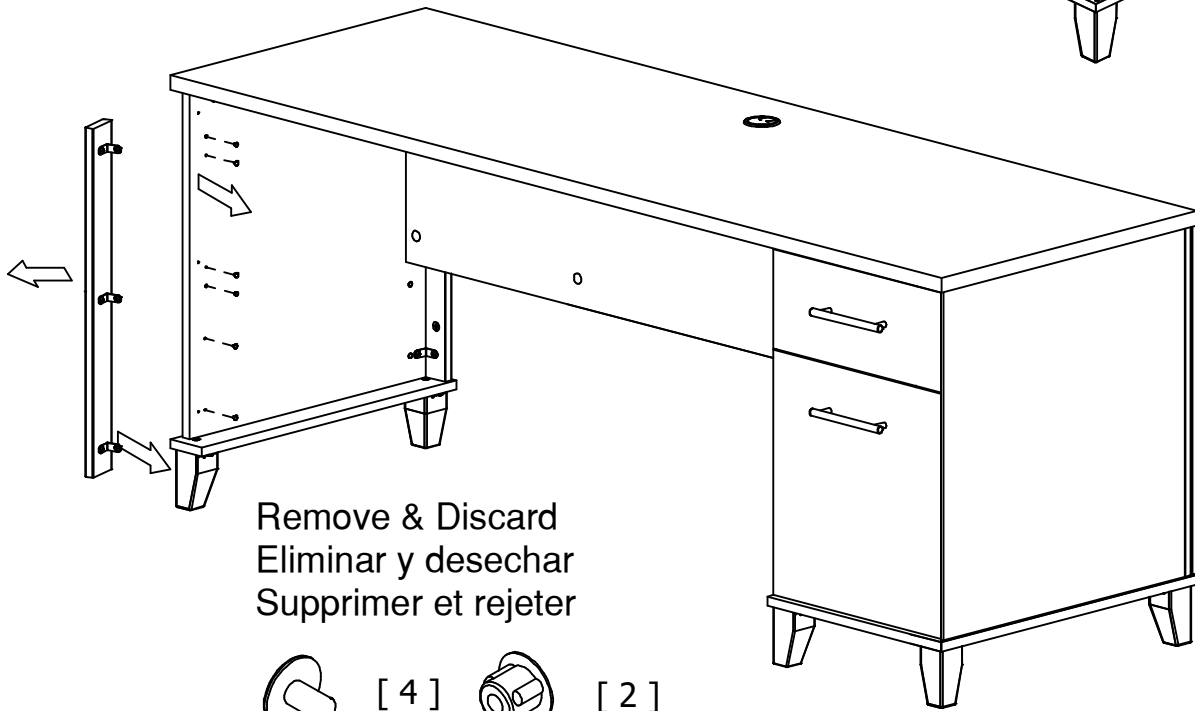
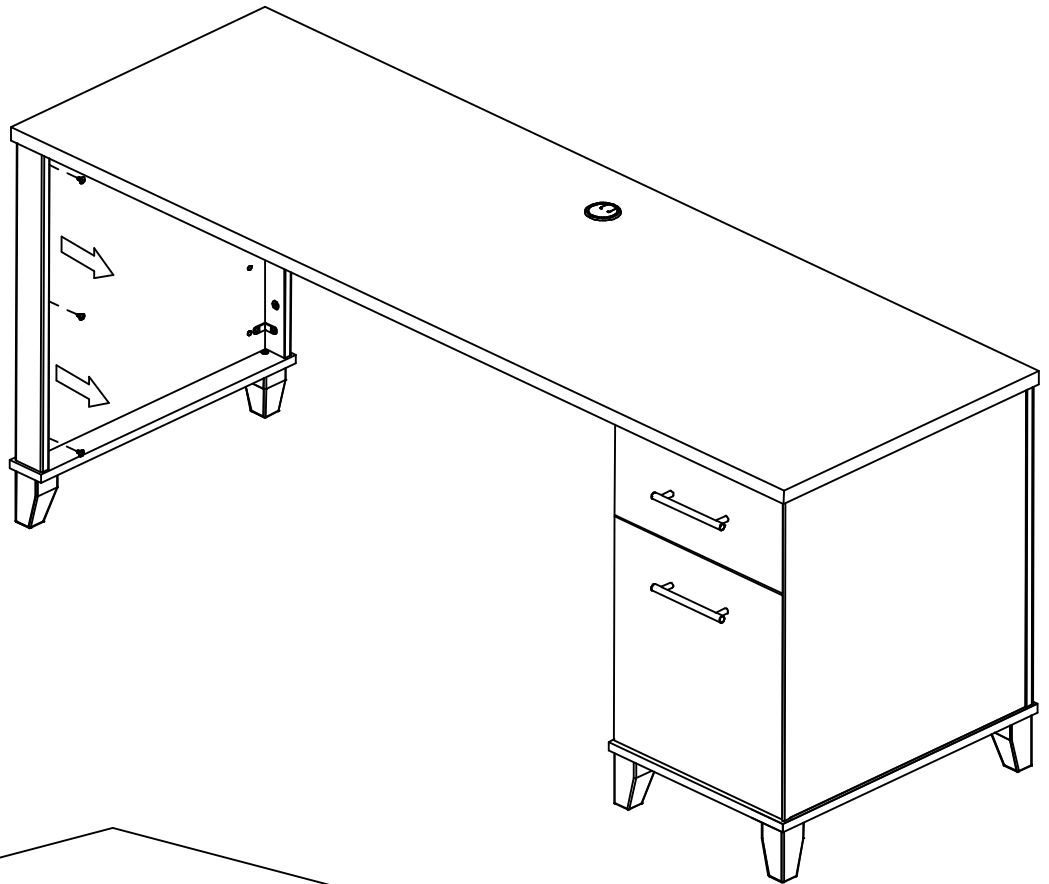
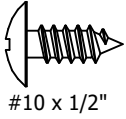
[ 2 ]



Have an assembly question or need a replacement part? Just call **1-800-950-4782**, we are here to help.

Remove & Discard  
Eliminar y desechar  
Supprimer et rejeter

H35251 [ 3 ]  
#10 x 1/2"



Remove & Discard  
Eliminar y desechar  
Supprimer et rejeter



[ 4 ]

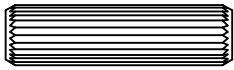


[ 2 ]

3mm

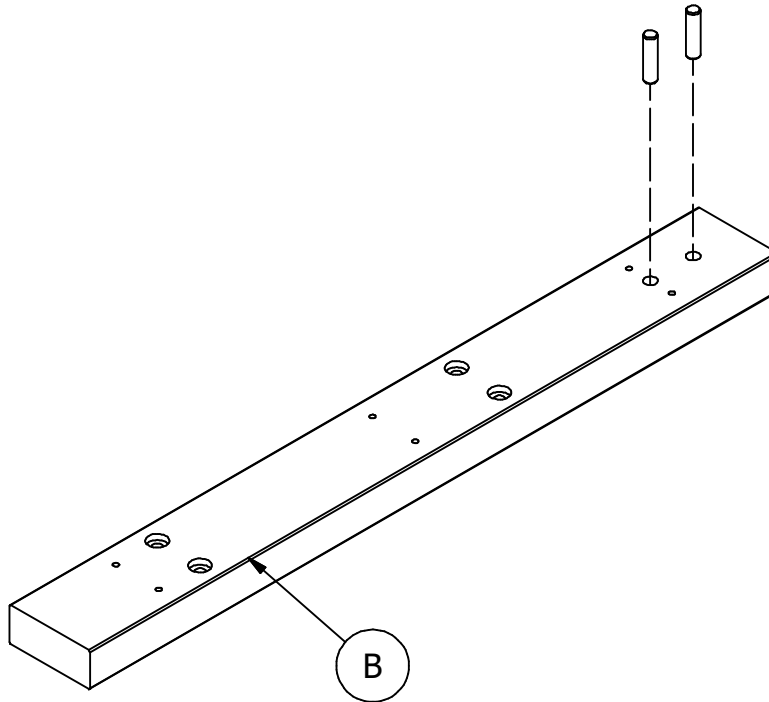
5mm

H38169

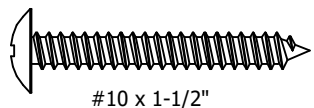


[ 2 ]

Wood Dowel 8 x 30



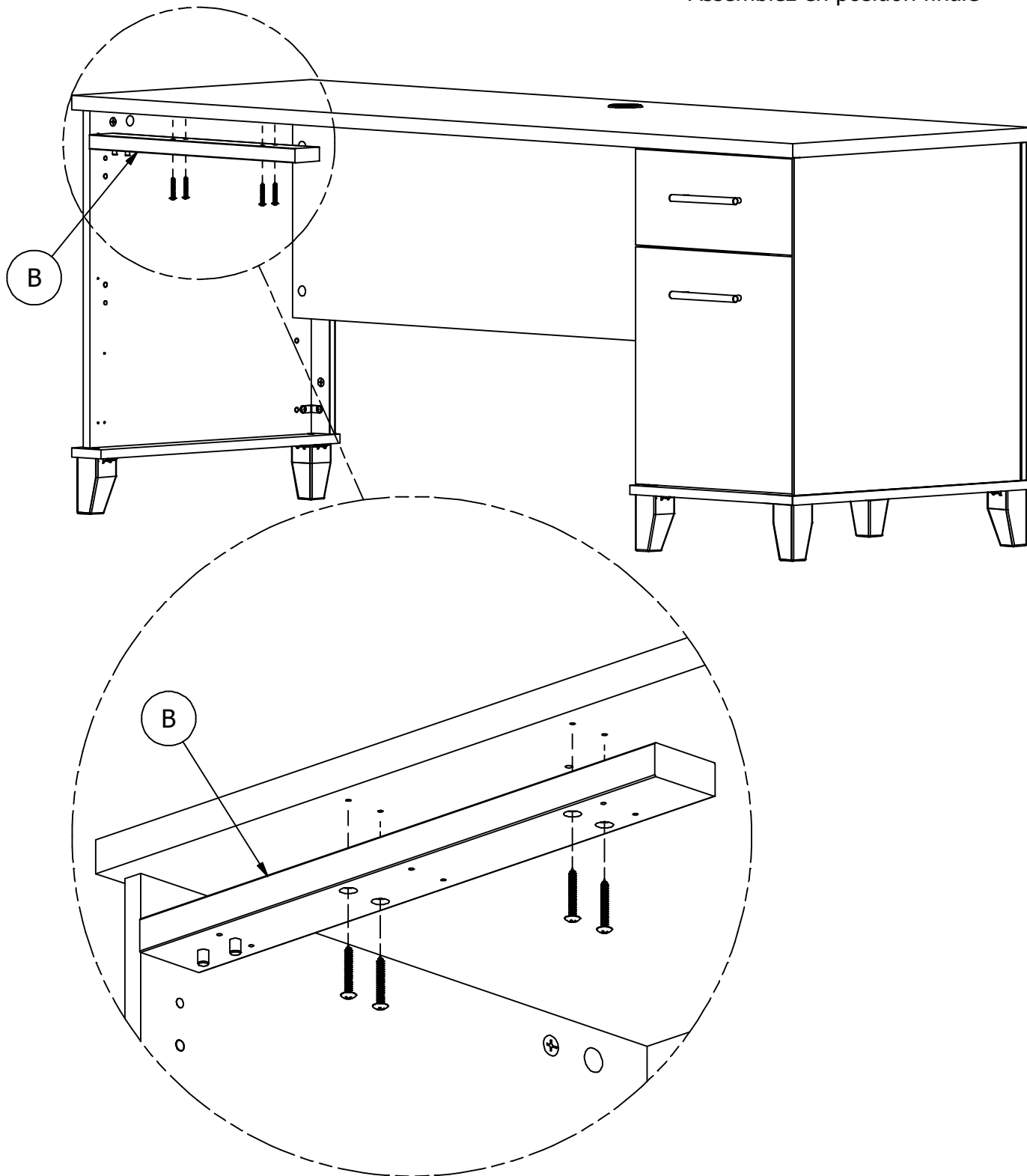
H23468



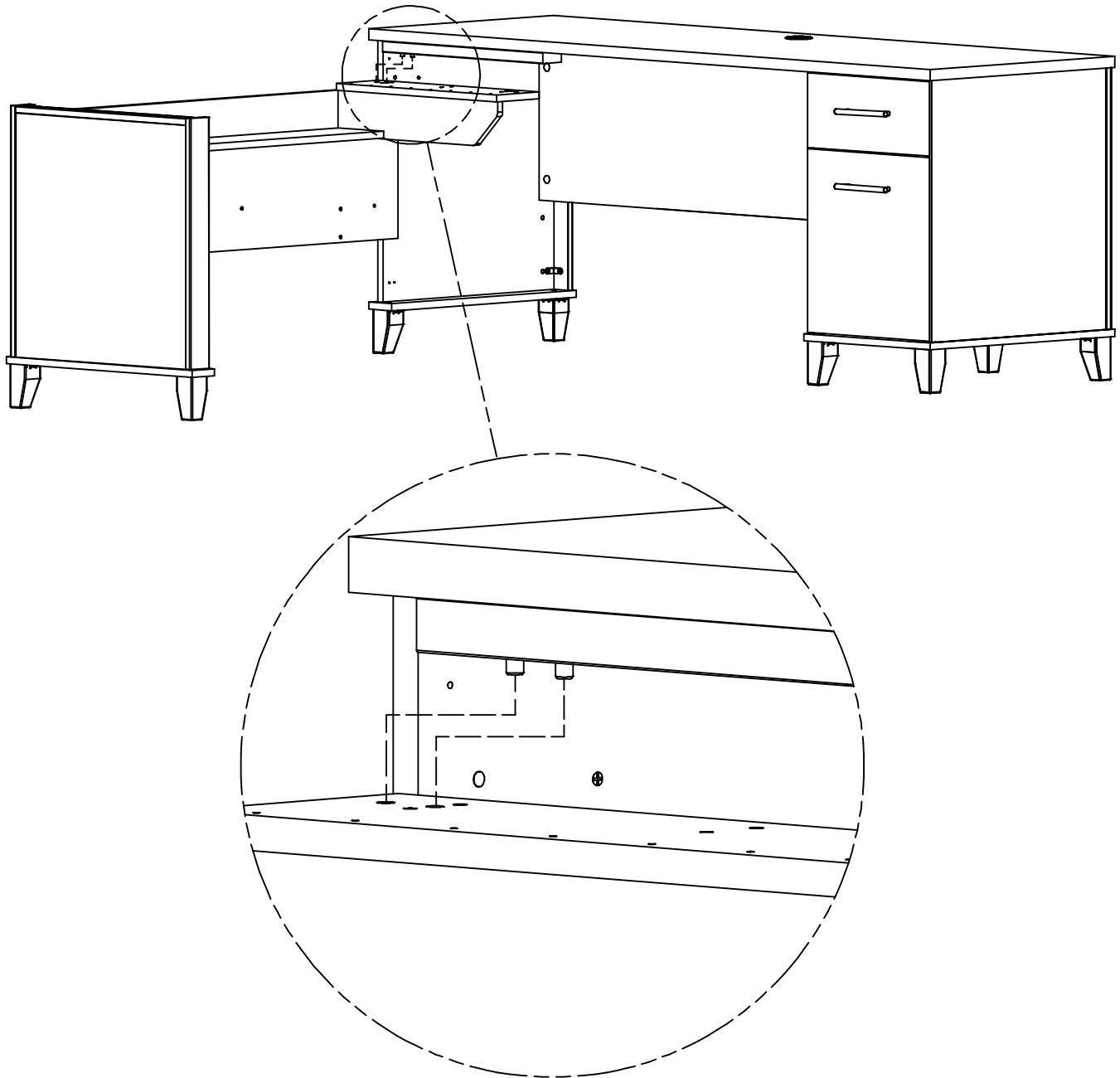
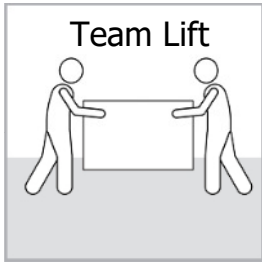
[ 4 ]

#10 x 1-1/2"

Assemble in final location.  
Arme la unidad en el lugar destinado.  
Assemblez en position finale



Have an assembly question or need a replacement part? Just call  
**1-800-950-4782**, we are here to help.



Have an assembly question or need a replacement part? Just call  
**1-800-950-4782**, we are here to help.



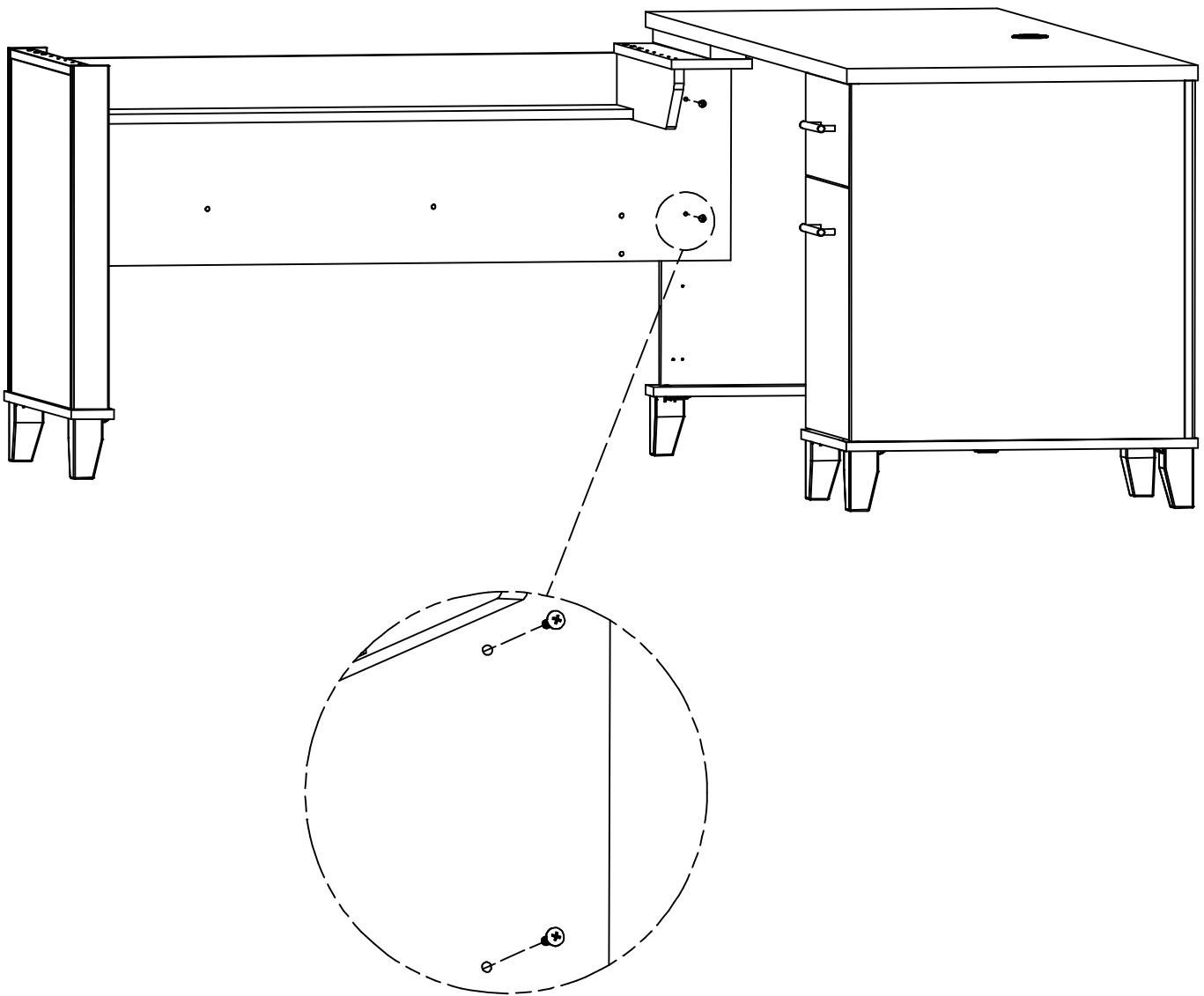


H23682

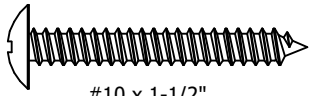


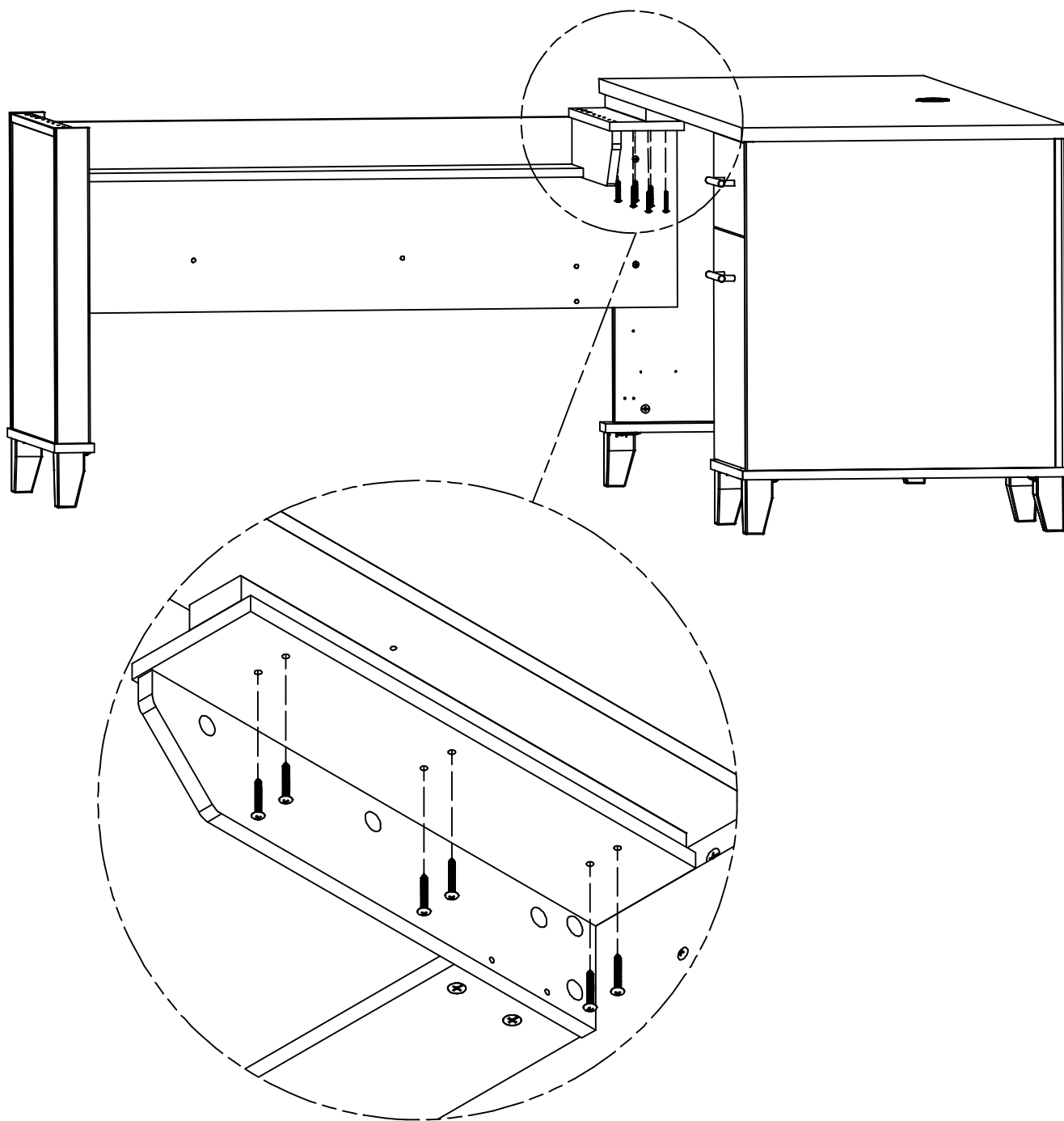
[ 2 ]

#10 x 1"



Have an assembly question or need a replacement part? Just call  
**1-800-950-4782**, we are here to help.

H23468  [ 6 ]  
#10 x 1-1/2"



Have an assembly question or need a replacement part? Just call  
**1-800-950-4782**, we are here to help.

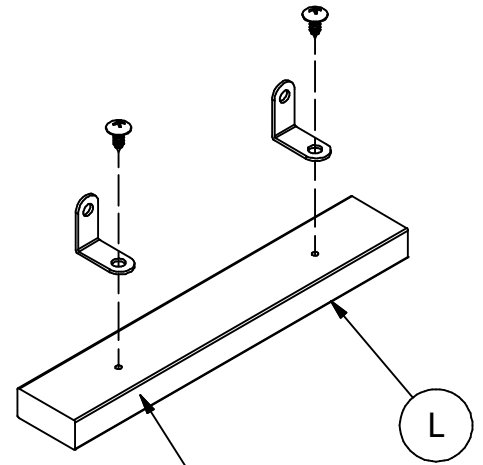
# STEP 35

# Attach Rail

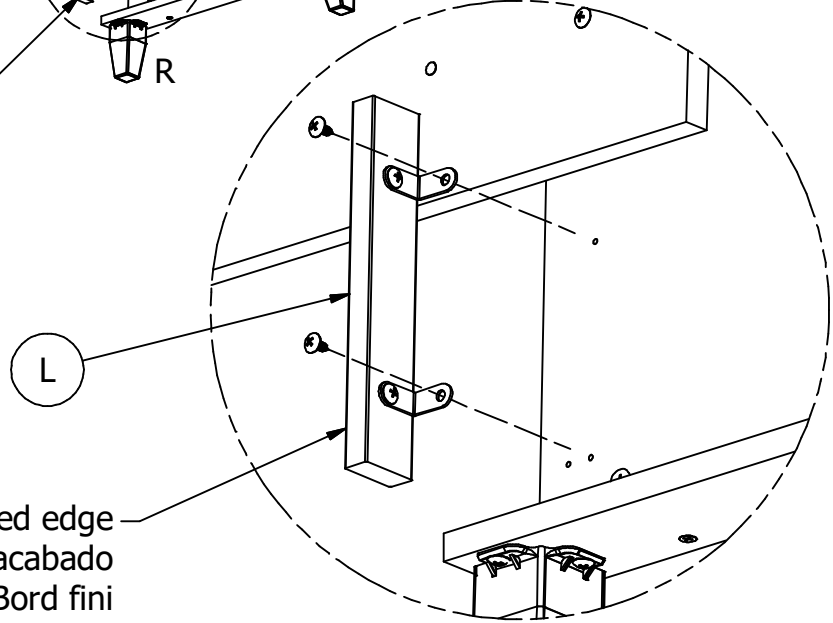
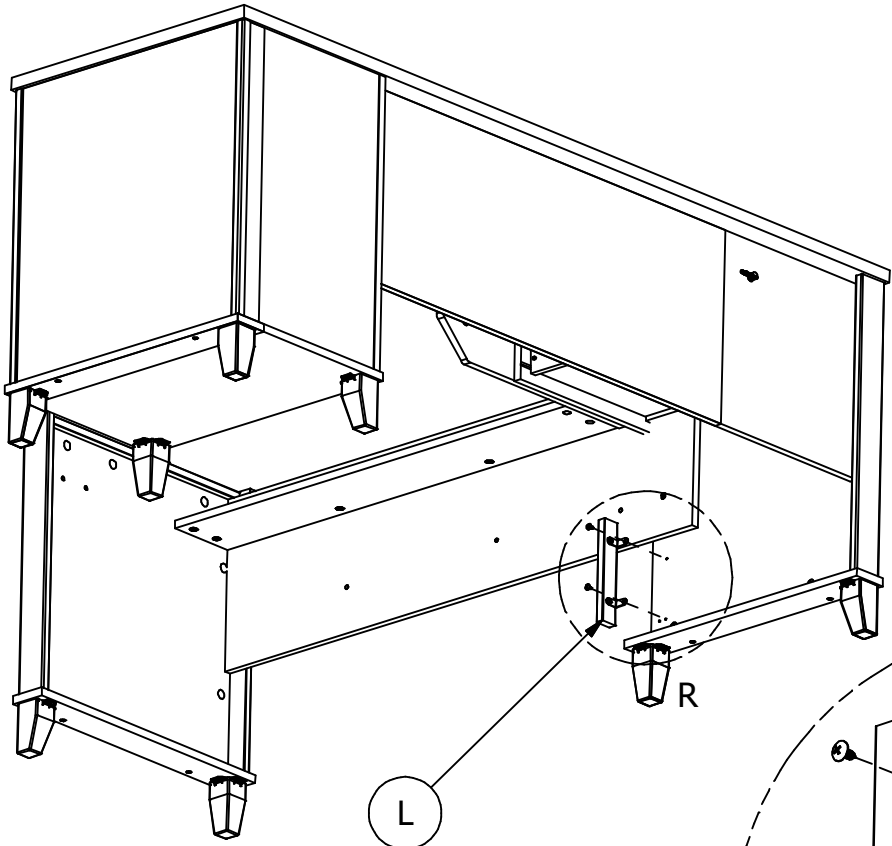
A189257D

H35251 [ 4 ]  
#10 x 1/2"

H67187 [ 2 ]  
Angle Bracket

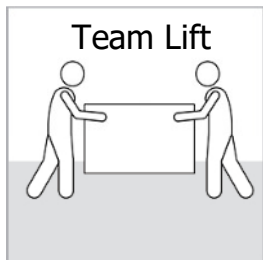


Finished edge  
Borde acabado  
Bord fini

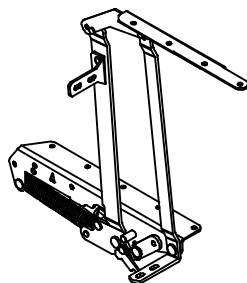


Finished edge  
Borde acabado  
Bord fini

Have an assembly question or need a replacement part? Just call **1-800-950-4782**, we are here to help.

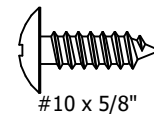


Z184666



[ 1 ]

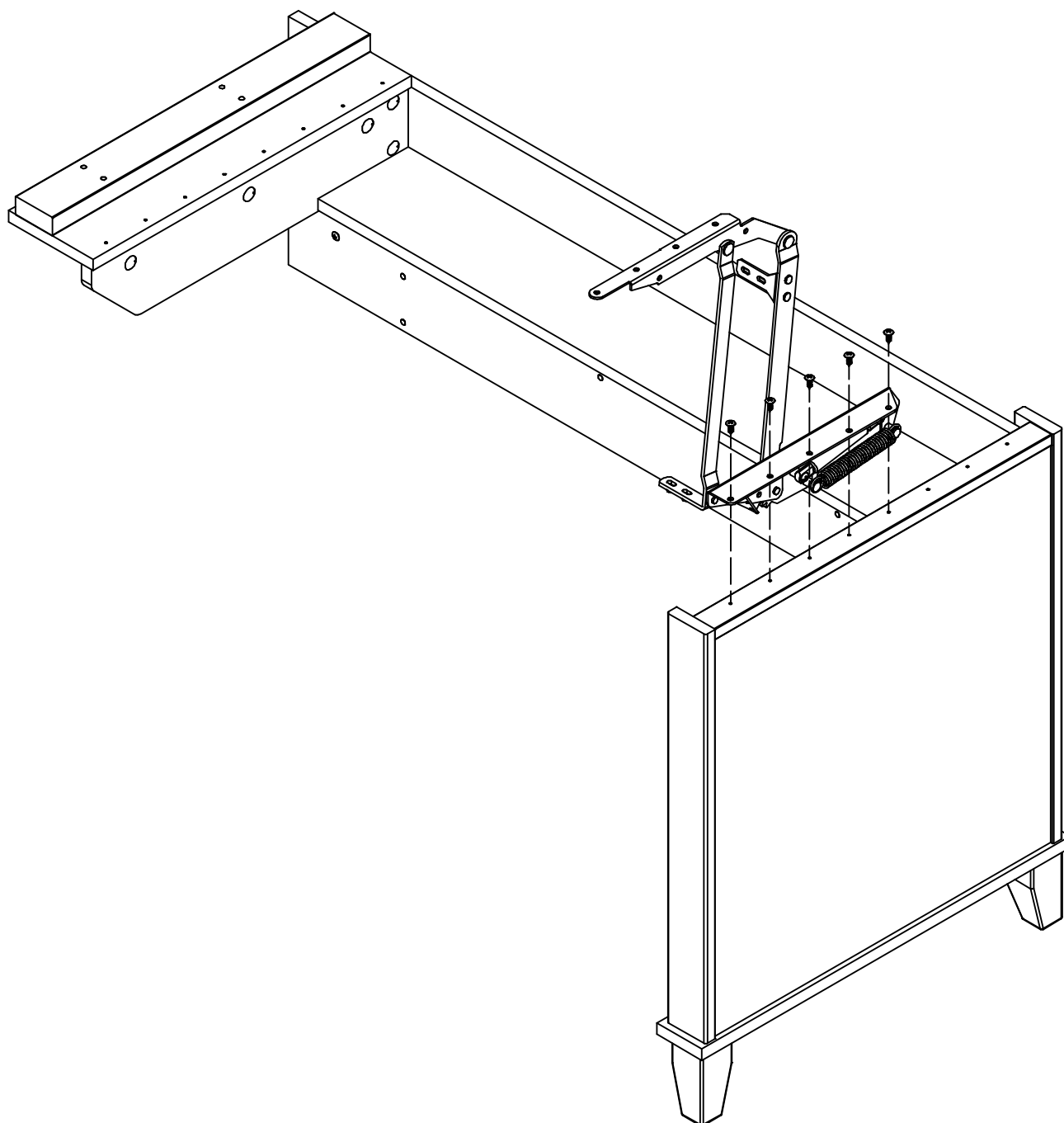
H23119



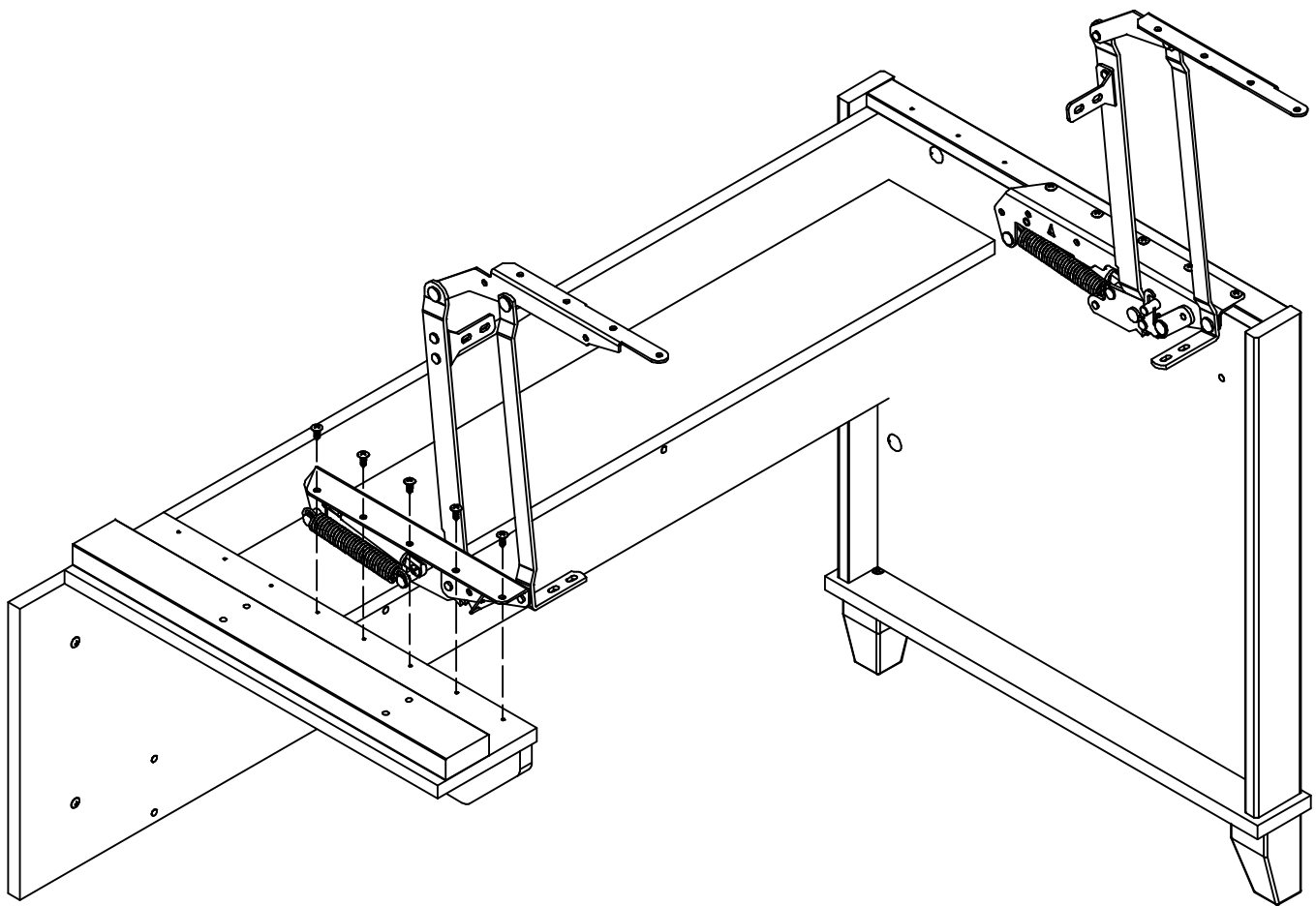
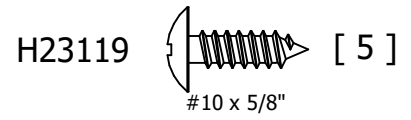
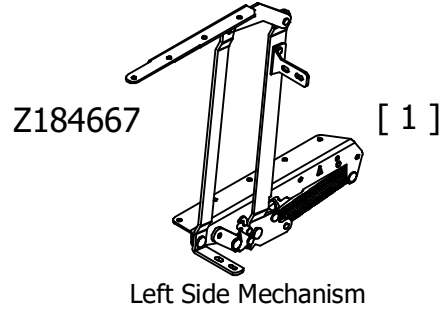
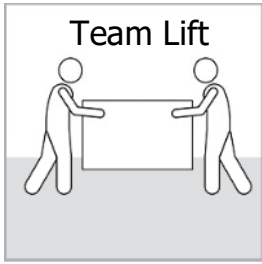
[ 5 ]

#10 x 5/8"

Right Side Mechanism

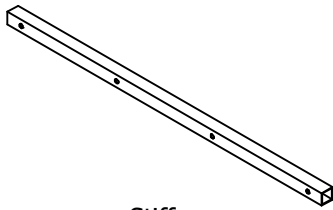


Have an assembly question or need a replacement part? Just call  
**1-800-950-4782**, we are here to help.



Have an assembly question or need a replacement part? Just call  
**1-800-950-4782**, we are here to help.

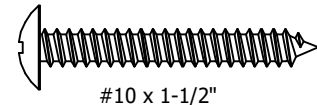
H181315



[ 1 ]

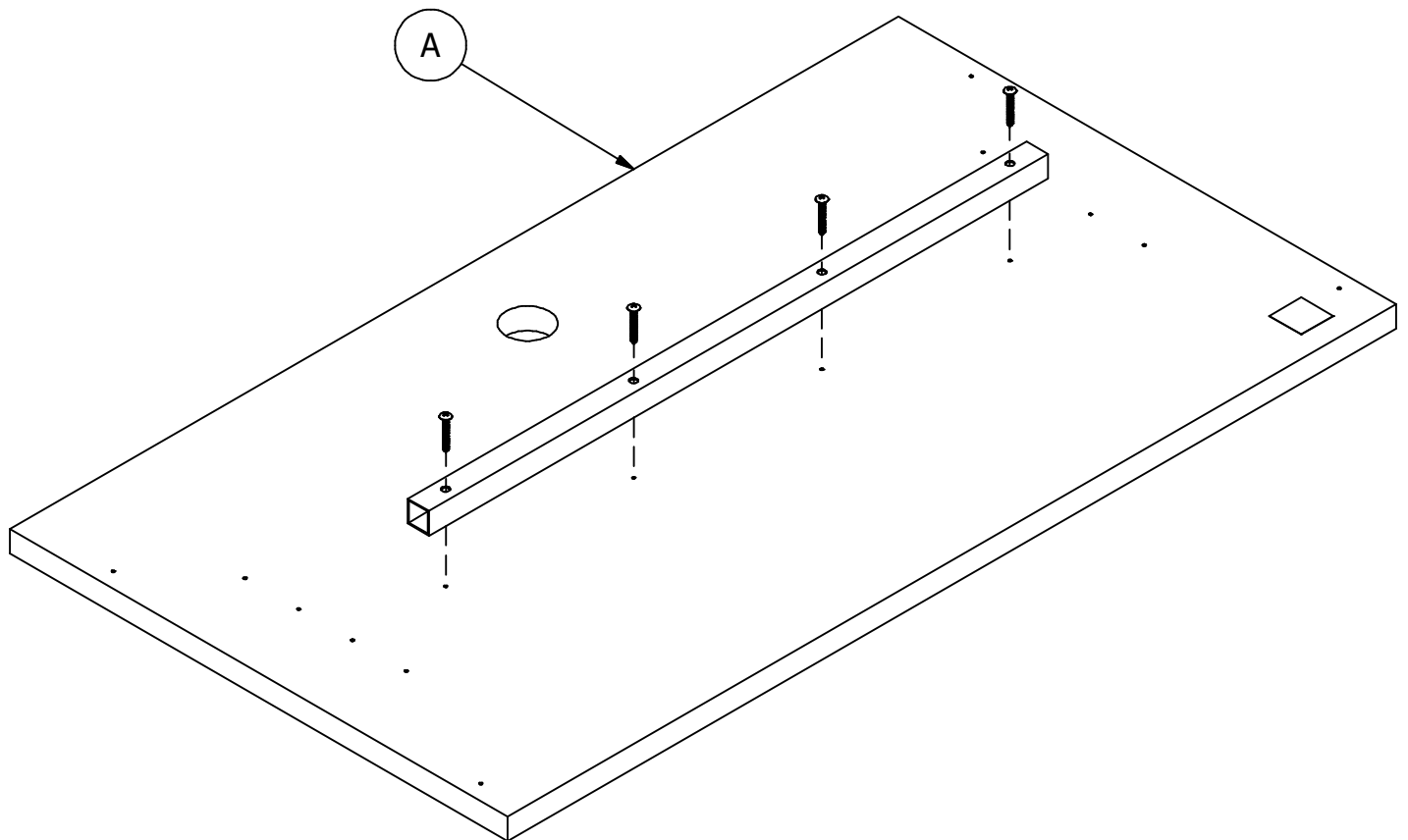
Stiffener

H23468

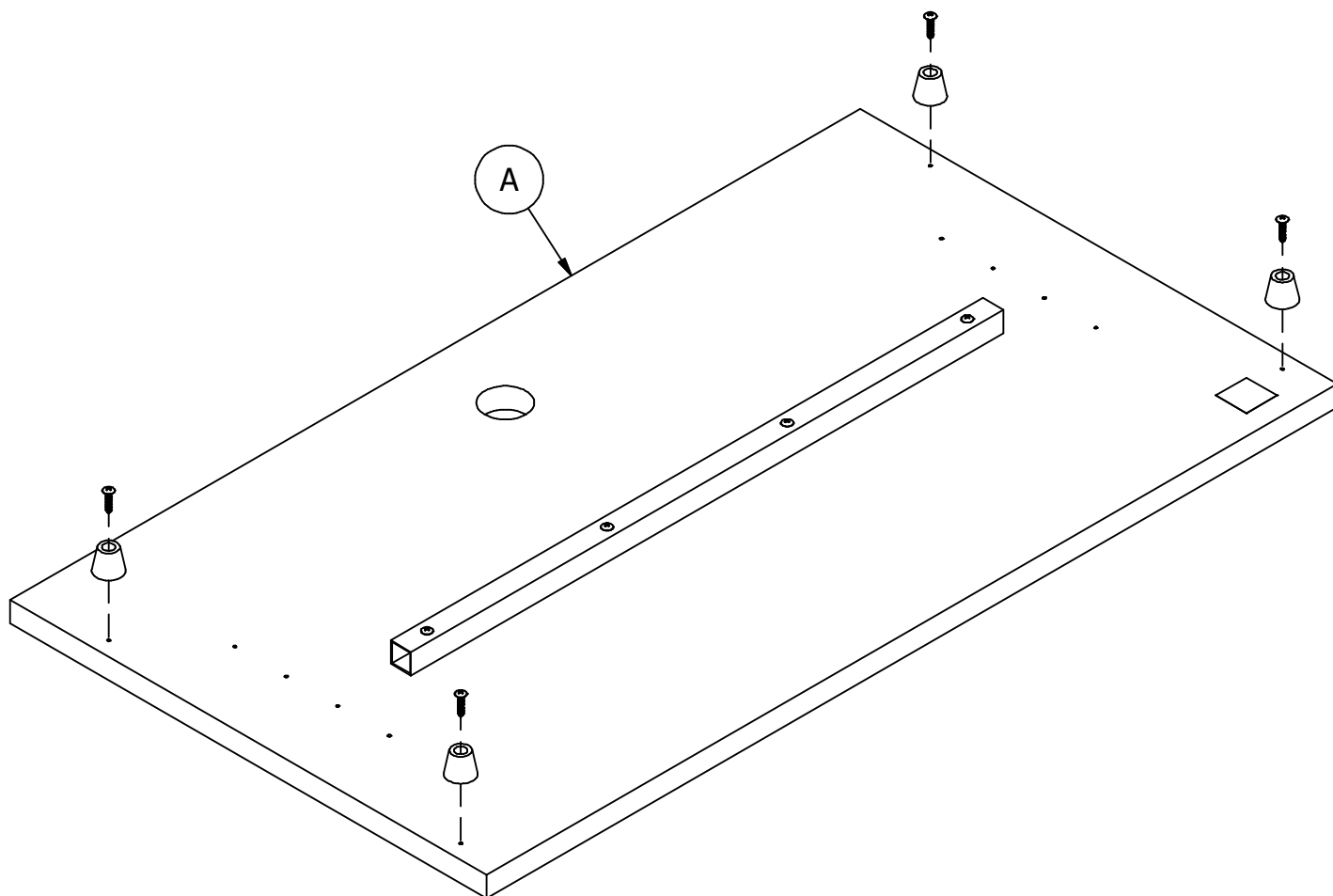
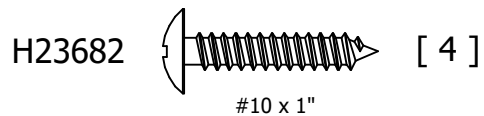
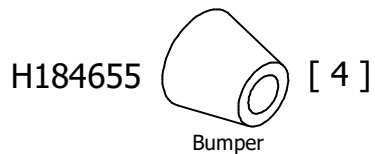


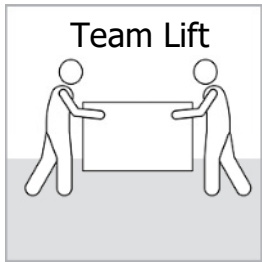
[ 4 ]

#10 x 1-1/2"

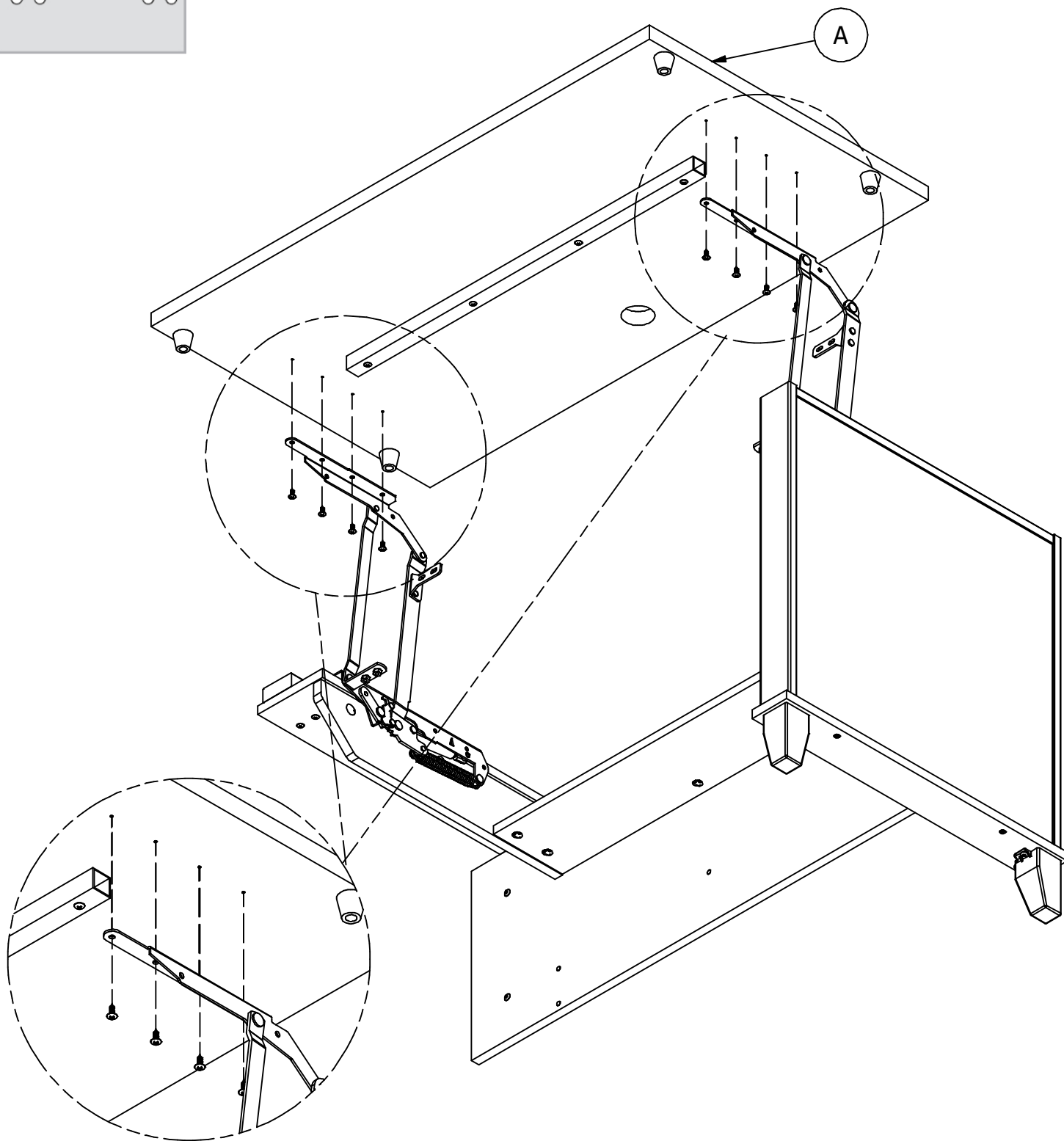
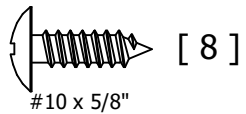


Have an assembly question or need a replacement part? Just call  
**1-800-950-4782**, we are here to help.





H23119



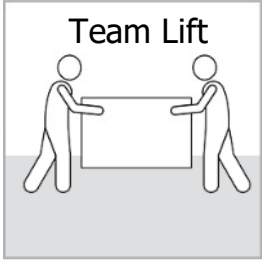
Have an assembly question or need a replacement part? Just call  
**1-800-950-4782**, we are here to help.



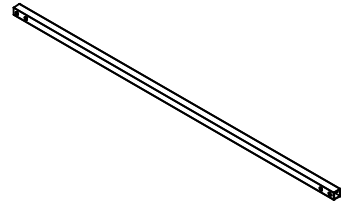
# STEP 41

# Attach Supports

A189257D



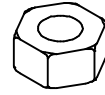
H189068



[ 2 ]

Connecting Bar

Z184671



[ 8 ]

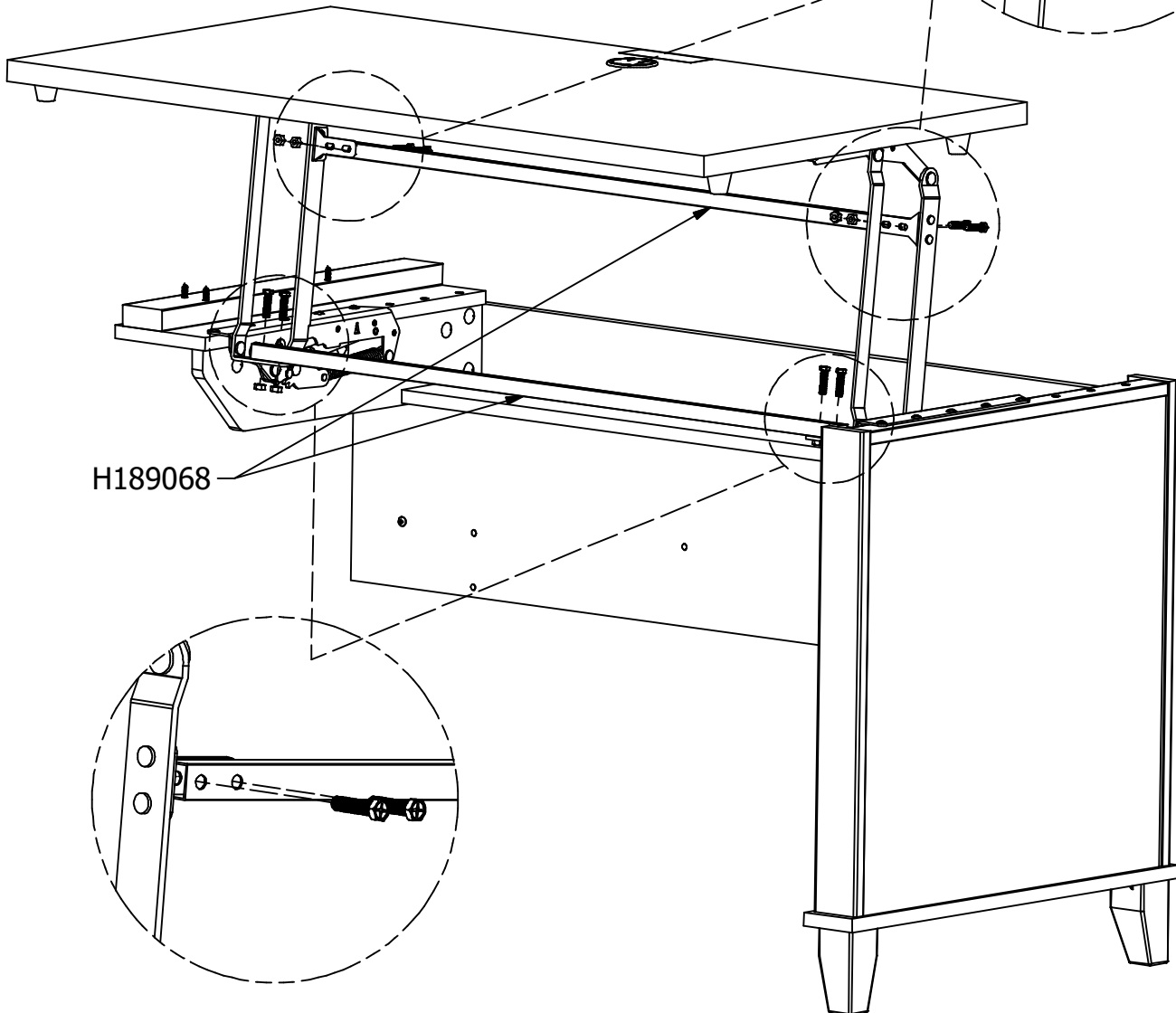
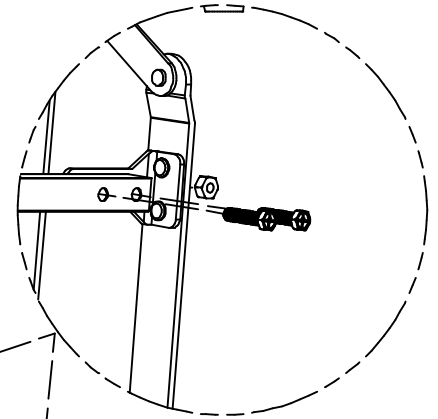
Nut 1/4-20

Z184669



[ 8 ]

1/4-20 x 28mm



H189068

Have an assembly question or need a replacement part? Just call  
**1-800-950-4782**, we are here to help.

H157577



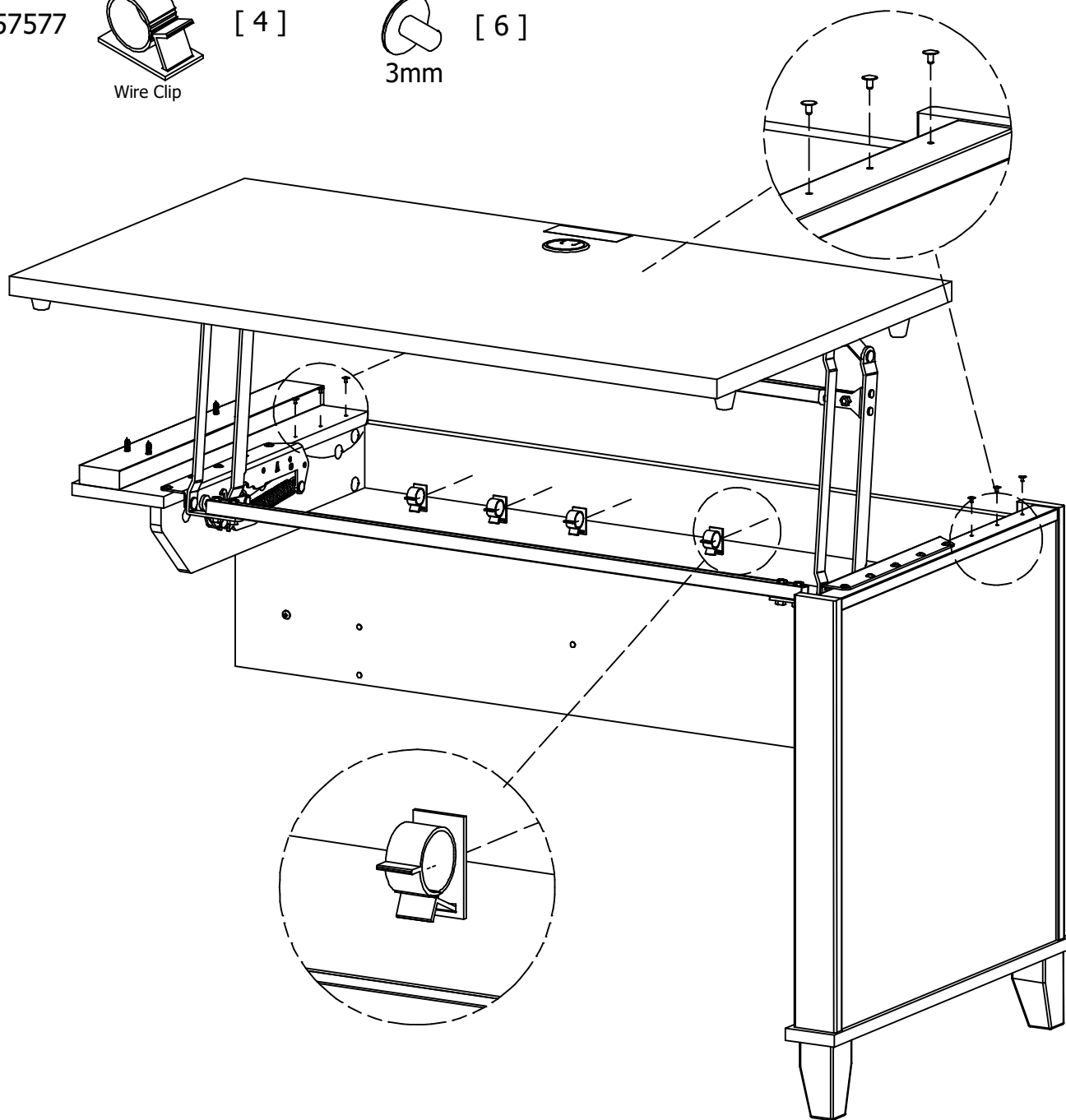
Wire Clip

[ 4 ]



3mm

[ 6 ]



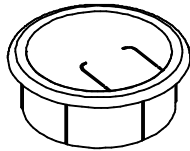
Have an assembly question or need a replacement part? Just call  
**1-800-950-4782**, we are here to help.

Scan QR Code to Watch Video on:



How to Clean the Surface

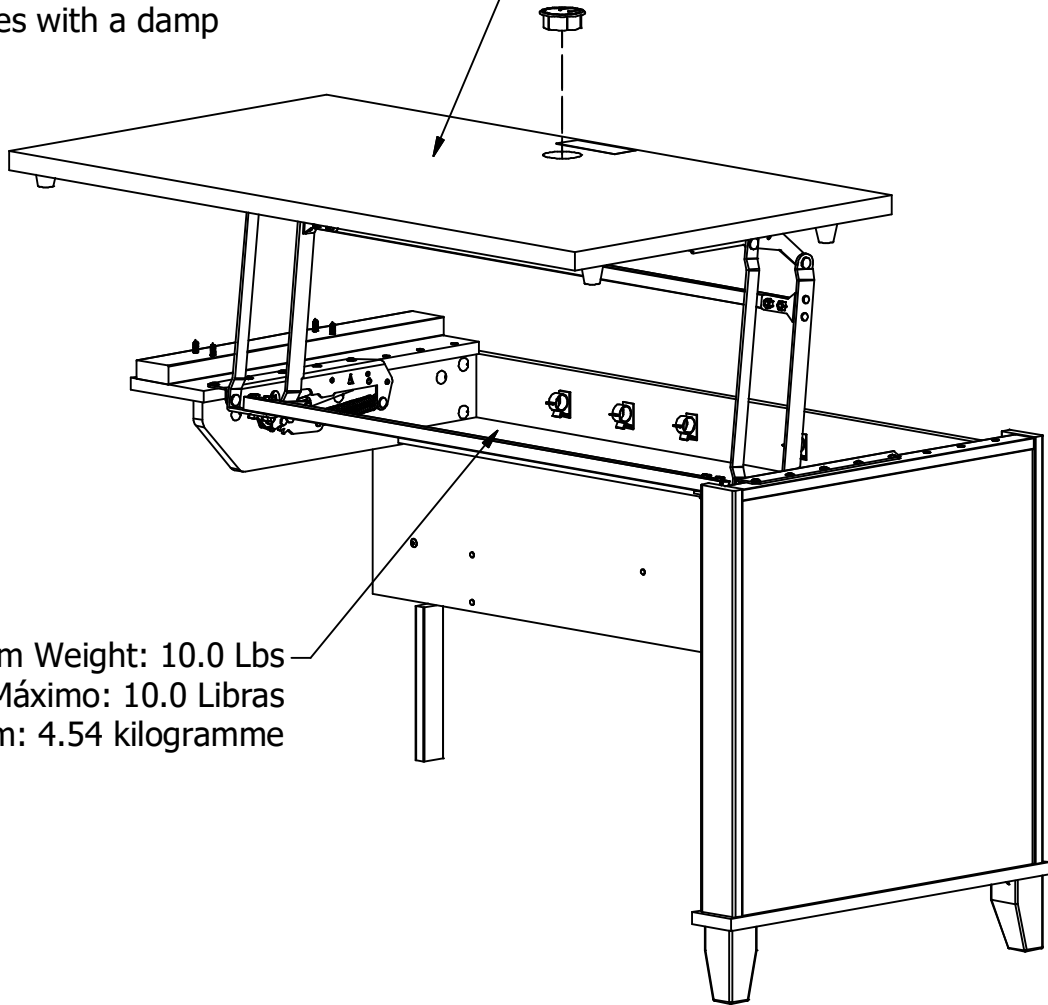
Gently clean surfaces with a damp sponge eraser.



[ 1 ]

Grommet

Maximum Weight: 20.0 Lbs  
Peso Máximo: 20.0 Libras  
Poid Maximum: 9.07 kilogramme

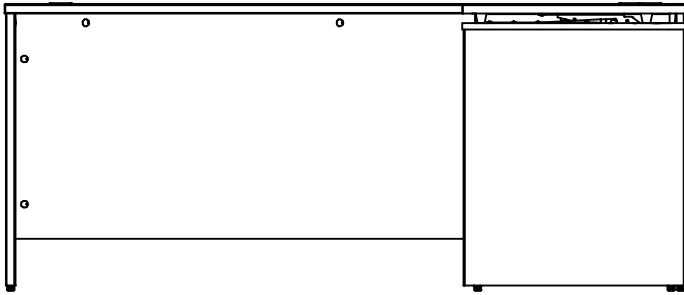


Maximum Weight: 10.0 Lbs  
Peso Máximo: 10.0 Libras  
Poids Maximum: 4.54 kilogramme

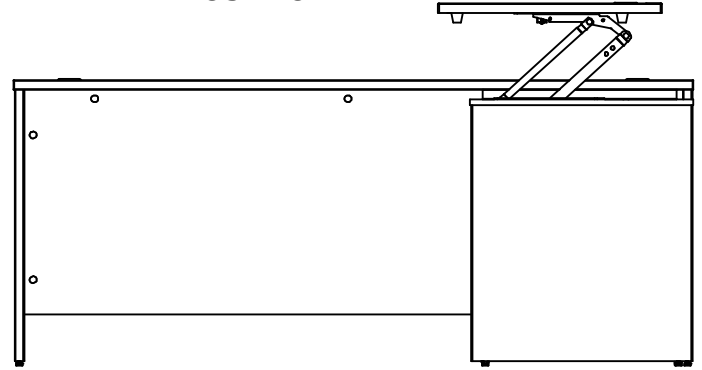
Congratulations! You are all done. If you have any questions or concerns, please call.

Have an assembly question or need a replacement part? Just call **1-800-950-4782**, we are here to help.

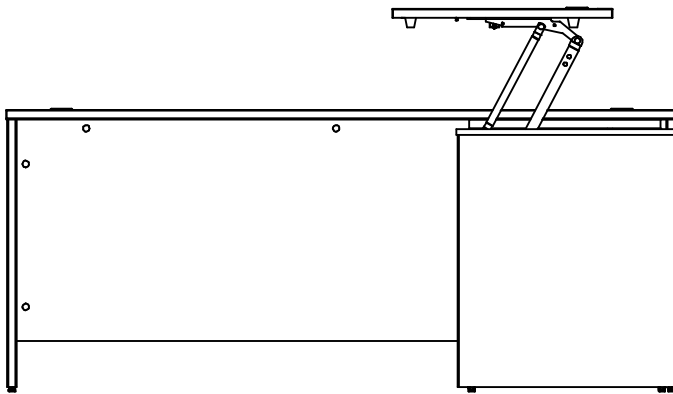
**SEATED POSITION**



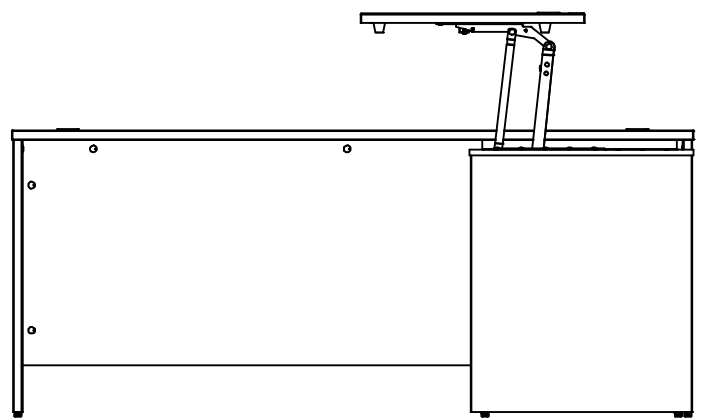
**POSITION #1**



**POSITION #2**

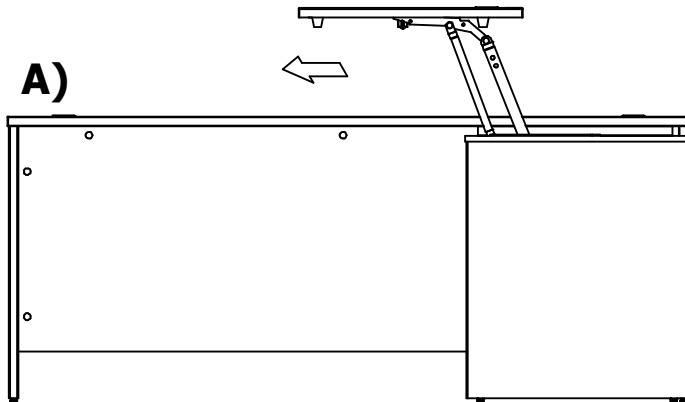


**POSITION #3**

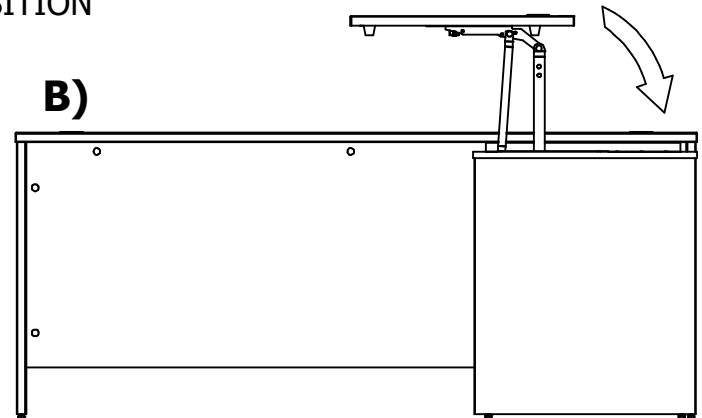


**UNLOCK POSITION**

**A)**



**B)**



DO NOT use desk top in UNLOCK position  
 NO use el escritorio en la posición de DESBLOQUEO  
 NE PAS utiliser le bureau en position UNLOCK

To return desk to seated position:

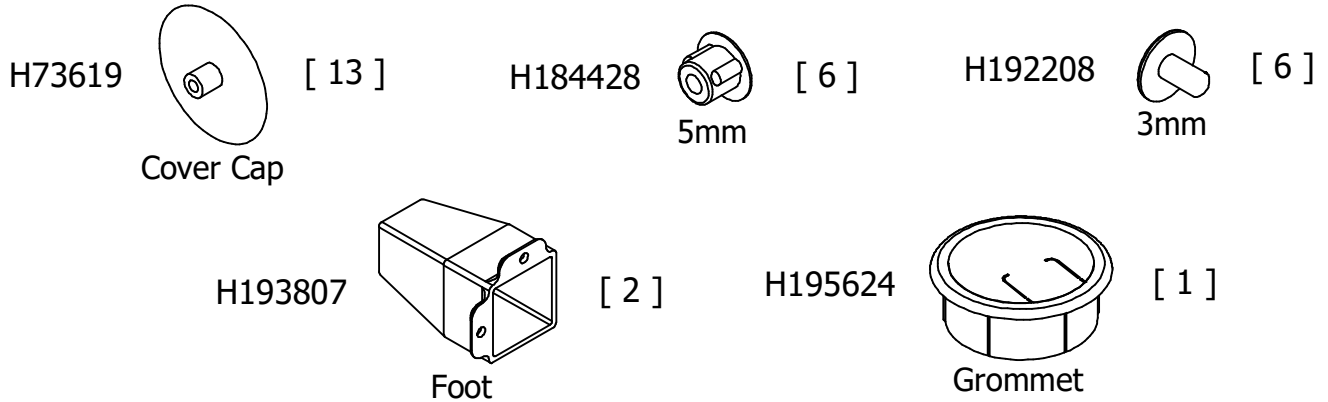
- (A) Pull desk top slowly forward until stop
- (A) Tire del escritorio lentamente hacia adelante hasta que se detenga
- (A) Tirez le bureau lentement vers l'avant jusqu'à la butée

- (B) Slowly push desk top down to seated position
- (B) Empuje lentamente la parte superior del escritorio hacia abajo hasta la posición sentada
- (B) Poussez lentement le bureau en position assise

Have an assembly question or need a replacement part? Just call  
**1-800-950-4782**, we are here to help.

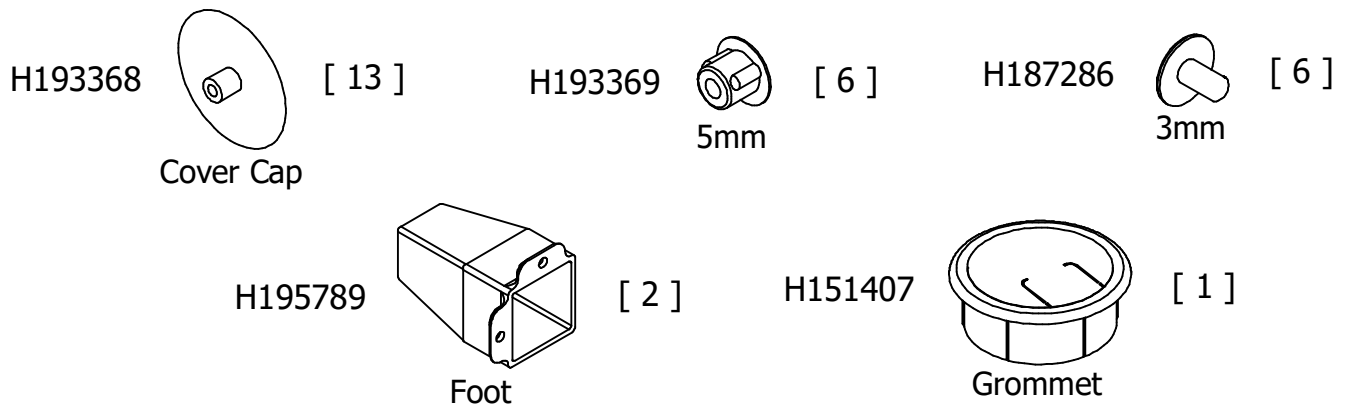
## WC81042

A	1	S200554	G	1	W196102
B	1	W196096	H	1	W196101
C	1	W096097	I	1	W196103
D	1	W196098	J	1	W196104
E	1	W196100	K	1	W196099
F	1	W196105	L	1	W196106



## WC81142

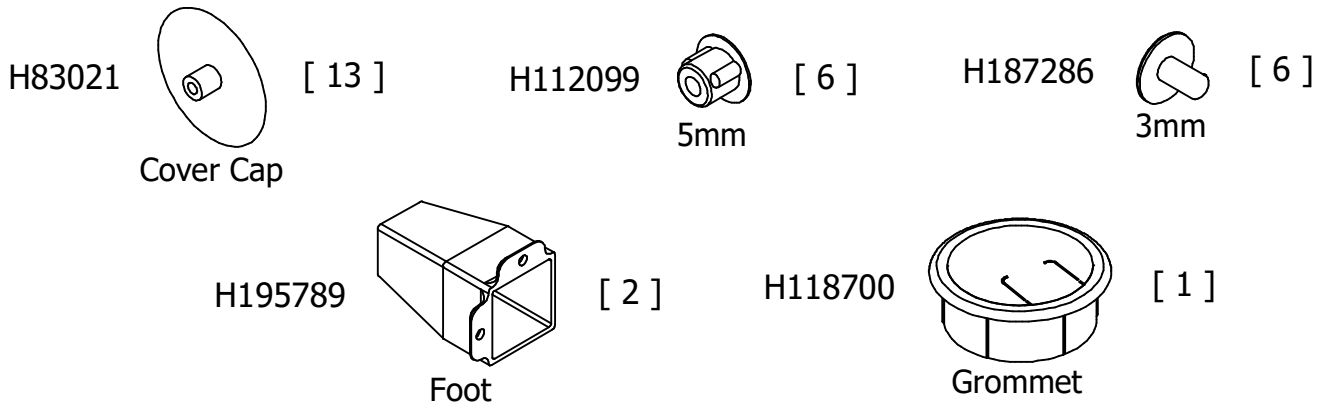
A	1	S200519	G	1	W200514
B	1	W200508	H	1	W200513
C	1	W200509	I	1	W200515
D	1	W200510	J	1	W200516
E	1	W200512	K	1	W200511
F	1	W200517	L	1	W200518



Have an assembly question or need a replacement part? Just call  
**1-800-950-4782**, we are here to help.

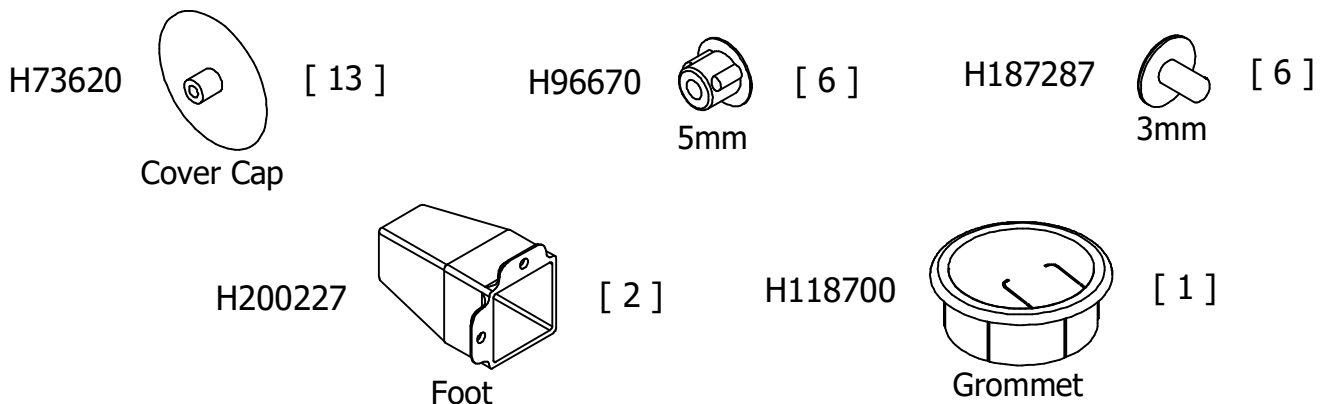
## WC81242

A	1	S195900	G	1	W195895
B	1	W195889	H	1	W195894
C	1	W195890	I	1	W195896
D	1	W195891	J	1	W195897
E	1	W195893	K	1	W195892
F	1	W195898	L	1	W195899



## WC81342

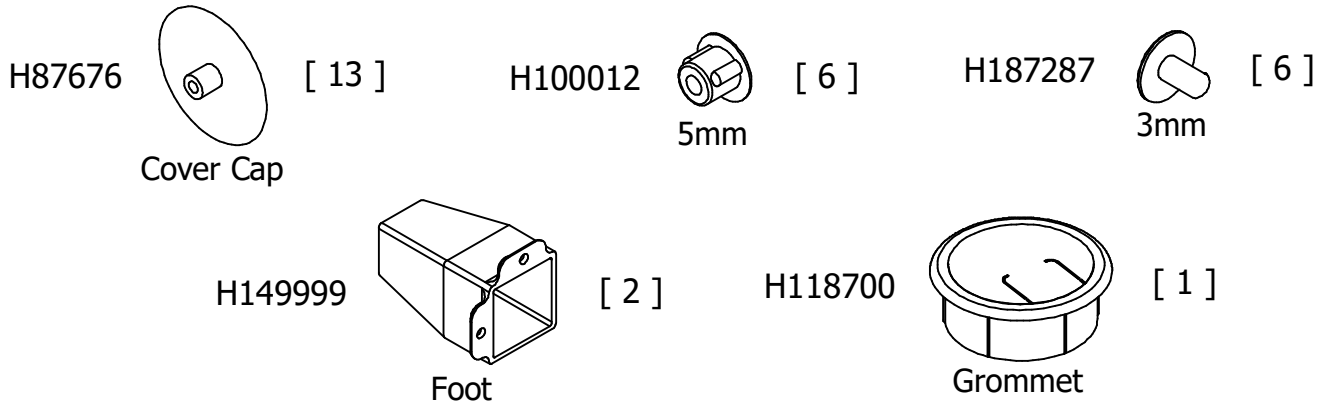
A	1	S200425	G	1	W200420
B	1	W200414	H	1	W200419
C	1	W200415	I	1	W200421
D	1	W200416	J	1	W200422
E	1	W200418	K	1	W200417
F	1	W200423	L	1	W200424



Have an assembly question or need a replacement part? Just call  
**1-800-950-4782**, we are here to help.

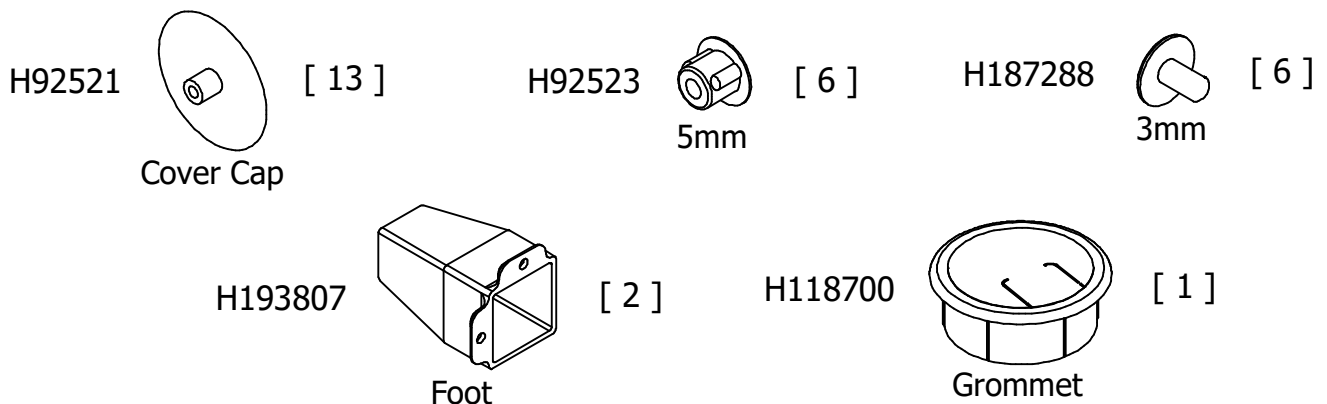
## WC81442

A	1	S189689	G	1	W189441
B	1	W189435	H	1	W189440
C	1	W189436	I	1	W189442
D	1	W189437	J	1	W189443
E	1	W189439	K	1	W189438
F	1	W189444	L	1	W189445



## WC81542

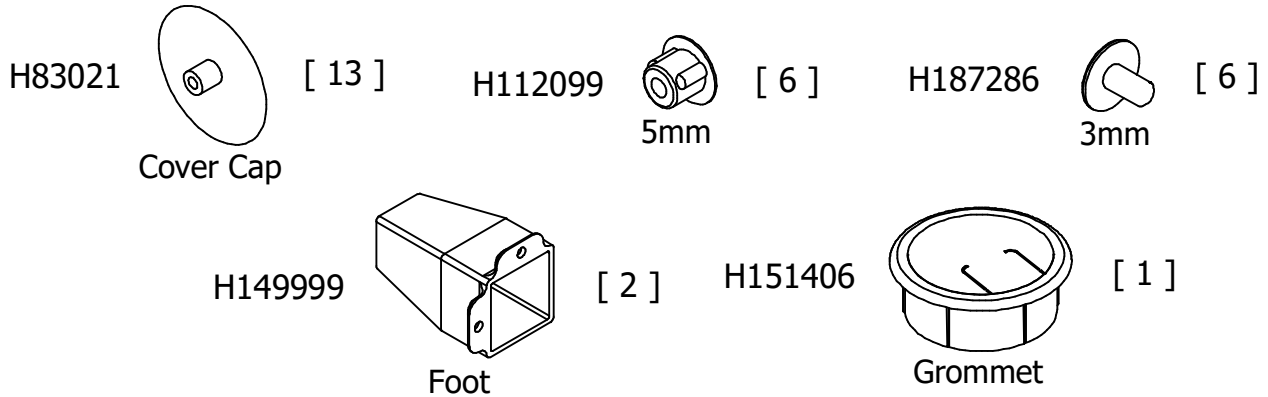
A	1	S193970	G	1	W193965
B	1	W193959	H	1	W193964
C	1	W193960	I	1	W193966
D	1	W193961	J	1	W193967
E	1	W193963	K	1	W193962
F	1	W193883	L	1	W193969



Have an assembly question or need a replacement part? Just call  
**1-800-950-4782**, we are here to help.

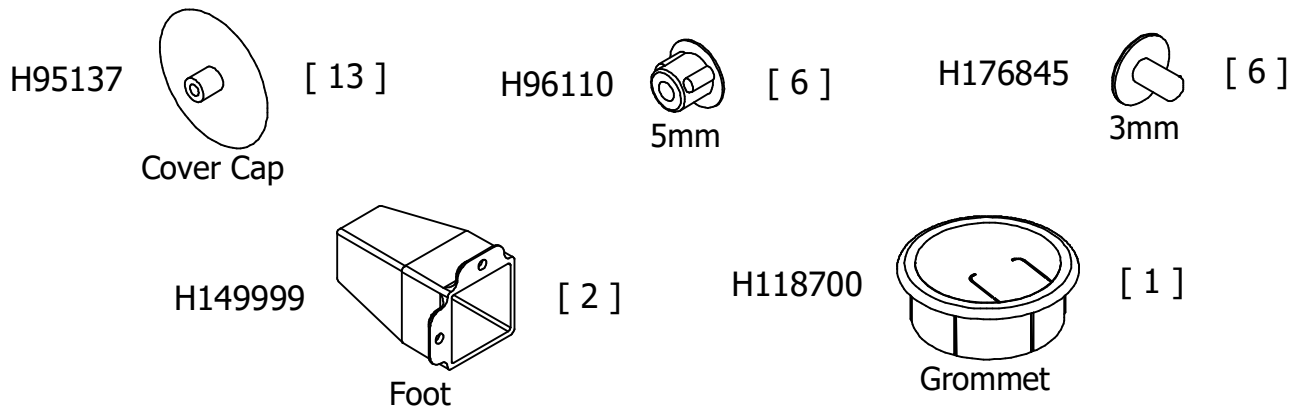
## WC81642

A	1	S189258	G	1	W189266
B	1	W189260	H	1	W189265
C	1	W189261	I	1	W189267
D	1	W189262	J	1	W189268
E	1	W189264	K	1	W189263
F	1	W189269	L	1	W189270



## WC81742

A	1	S189687	G	1	W189429
B	1	W189688	H	1	W189428
C	1	W189424	I	1	W189430
D	1	W189425	J	1	W189431
E	1	W189427	K	1	W189426
F	1	W189432	L	1	W189433

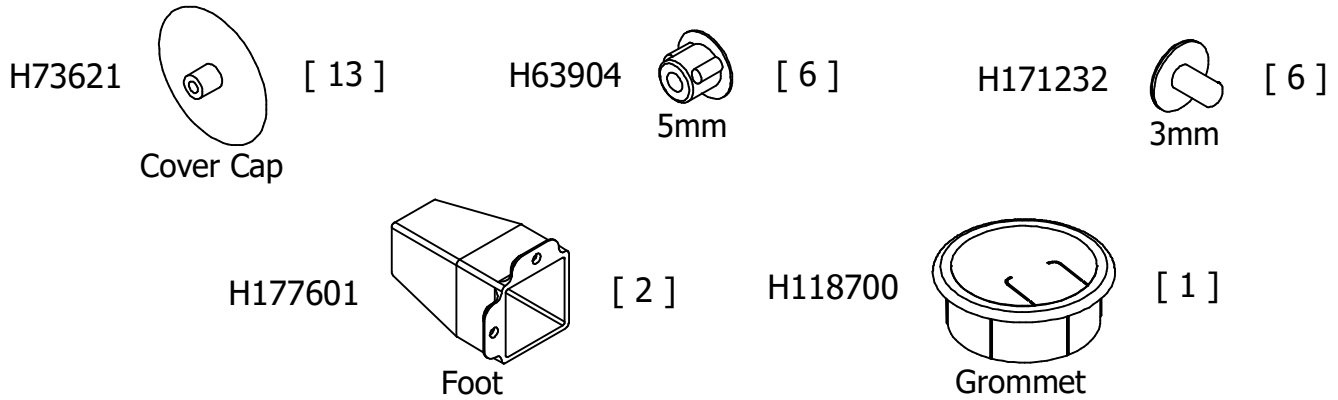


Have an assembly question or need a replacement part? Just call  
**1-800-950-4782**, we are here to help.



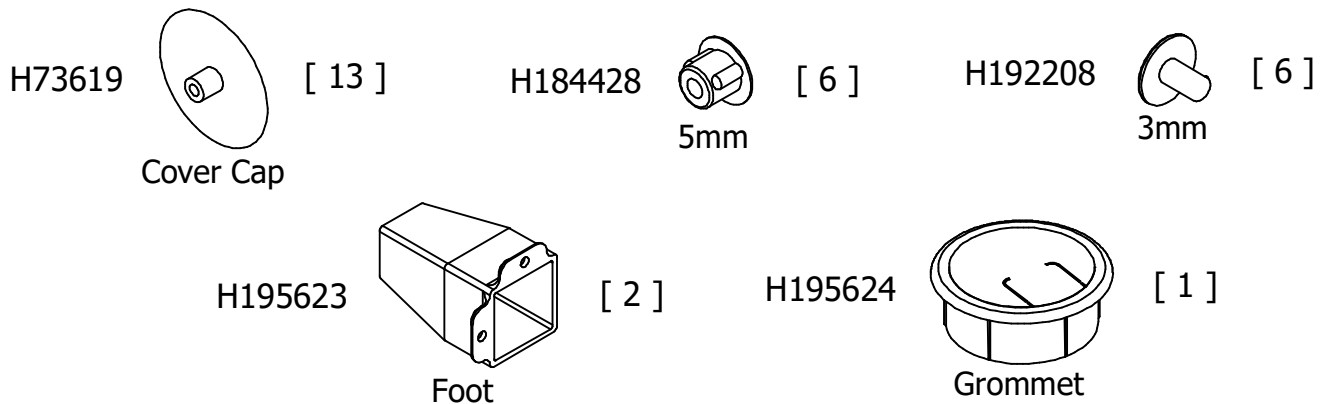
## WC81842

A	1	S189685	G	1	W189418
B	1	W189686	H	1	W189417
C	1	W189413	I	1	W189419
D	1	W189414	J	1	W189420
E	1	W189416	K	1	W189415
F	1	W189421	L	1	W189422



## WC81942

A	1	S196107	G	1	W196102
B	1	W196096	H	1	W196101
C	1	W196097	I	1	W196103
D	1	W196098	J	1	W196104
E	1	W196100	K	1	W196099
F	1	W196105	L	1	W196106



Have an assembly question or need a replacement part? Just call  
**1-800-950-4782**, we are here to help.