

Assembly Guide

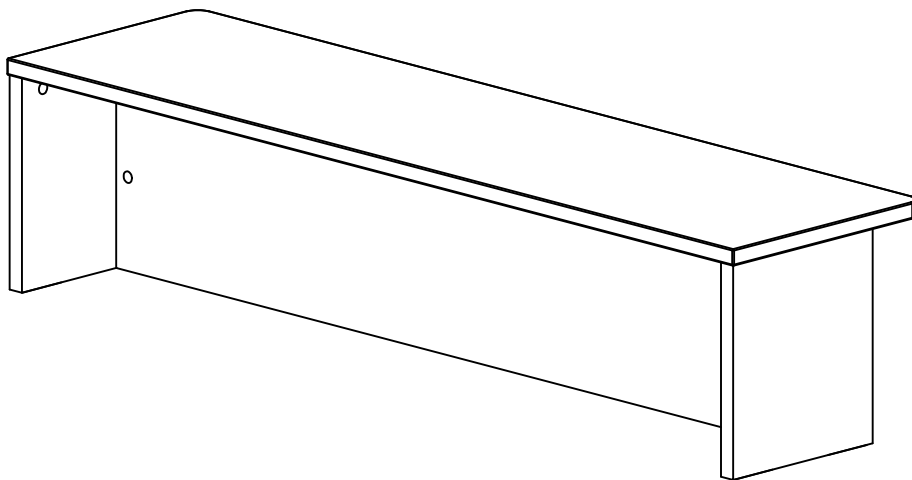


If you're having any difficulty during assembly of this product, don't hesitate to call us at 1-800-950-4782.

Our customer service experts are trained to provide step-by-step instruction and can easily replace any missing or damaged parts.

Representatives are available Monday-Friday from 8:30 a.m. to 7:30 p.m. (ET)

60W Straight Reception Shelf



Lot Code #

Instruction Sheet Number A218632

Keep manual for future reference.

IMPORTANT SAFETY INFORMATION



PLEASE READ WARNINGS

Improper use can cause safety hazards, or damage to your furniture and household items.

Warning	Do	Don't	Why it's important
Serious injury may occur.	<ul style="list-style-type: none">Assemble following all instructions using all indicated parts and hardware provided.Attach hutch as described in the instructions.Verify furniture is stable on it's own.	<ul style="list-style-type: none">Do not move unit when loaded.Do not load with a television or other heavy equipment.Do not exceed the maximum load limits stated in the instructions.Do not allow children to climb, or hang on furniture.	Improper assembly, use or loading can lead to product instability, tipover, or collapse.

Advertencia	Hacer	No	Por qué es importante
Pueden producirse lesiones graves.	<ul style="list-style-type: none">Realice el montaje siguiendo todas las instrucciones y utilizando todas las piezas indicadas y los herrajes suministrados.Fije la conejera como se describe en las instrucciones.Compruebe que el mueble sea estable por sí mismo.	<ul style="list-style-type: none">No mueva la unidad cuando esté cargada.No cargue el mueble con un televisor u otro equipo pesado.No supere los límites máximos de carga indicados en las instrucciones.No permita que los niños trepen o se cuelguen de los muebles.	El montaje, uso o carga inadecuados pueden provocar inestabilidad, vuelco o colapso del producto.

Avertissement	À faire	À ne pas faire	Pourquoi c'est important
Peut entraîner des blessures graves.	<ul style="list-style-type: none">Assembler en suivant toutes les instructions et en utilisant toutes les pièces et la quincaillerie incluses.Fixez la huche conformément aux instructions.Assurez-vous que le meuble soit stable par lui-même.	<ul style="list-style-type: none">Ne pas déplacer le meuble lorsqu'il est chargé.Ne pas charger le meuble avec un téléviseur ou tout autre équipement lourd.Ne pas dépasser les limites de poids maximales indiquées dans les instructions.Ne pas laisser les enfants grimper ou s'accrocher aux meubles.	Un assemblage, une utilisation ou un chargement incorrects peuvent entraîner l'instabilité, le basculement ou l'effondrement du produit.

For best results, keep these tips in mind:

- ① We know you want to finish this assembly as quickly as possible, but trust us: you'll have a better experience if you take it one step at a time.
- ② Give yourself some room to work near where you want the fully assembled product.
- ③ If your floor isn't carpeted, assemble this product on the empty carton to avoid scratching.
- ④ Do you have a friend who owes you a favor? Some steps may go a little easier with a second set of hands.

DOs

- ✔ Use a #2 Phillips head screwdriver (or other handheld tools as indicated)
- ✔ Wear safety glasses at all times during assembly
- ✔ Carefully follow the instructions in this guide and complete all steps in order
- ✔ Give us a call if you're having trouble with a particularly tricky step

DON'Ts

- ✘ We know power tools are quick and easy, but you shouldn't use them when assembling this product (unless otherwise specified)
- ✘ Never move your furniture with items inside or resting on the surface
- ✘ Do not attempt to use this product before all steps have been completed

Watch assembly videos right on your phone or computer!



Some steps include QR codes that link to helpful videos. Watch out for the icon below! Simply open up your smartphone camera to scan the code.

(Users of older smartphones may need to install a QR Reader.)

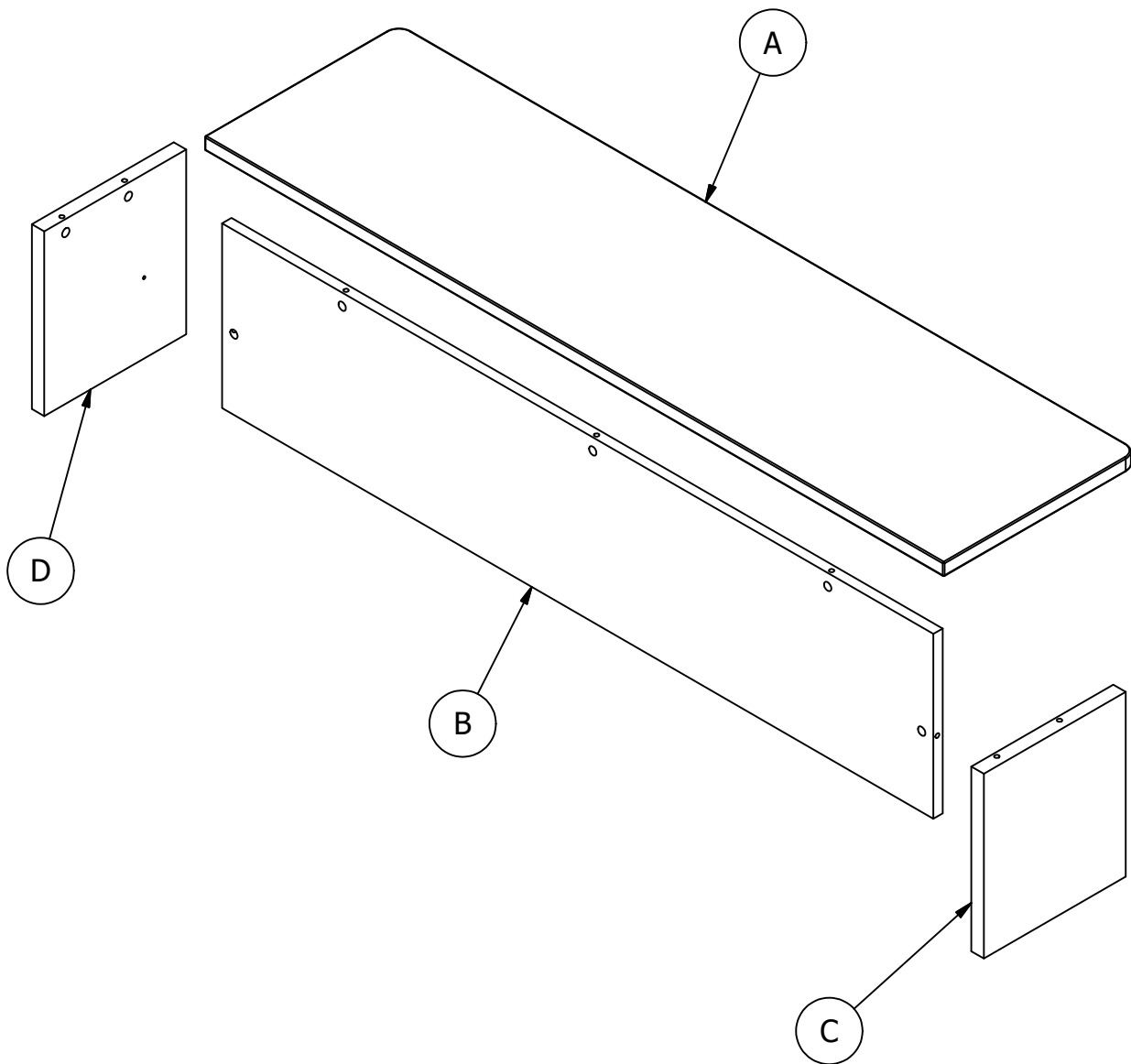
SCAN HERE



FOR VIDEOS

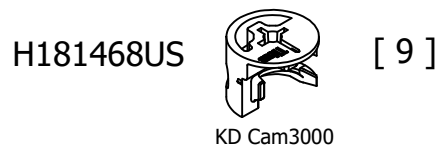
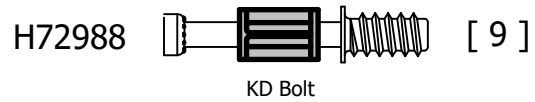
Or visit <https://bushfurniture.com/help-faq/#assembling>





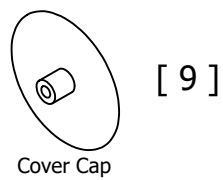
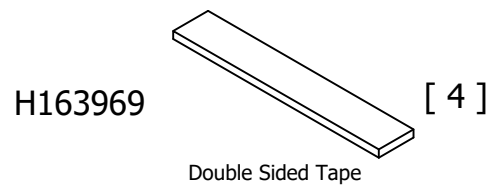
Have an assembly question or need a replacement part? Just call
1-800-950-4782, we are here to help.

Fasteners are shown actual size.



Have an assembly question or need a replacement part? Just call
1-800-950-4782, we are here to help.

Hardware not to scale.



Have an assembly question or need a replacement part? Just call
1-800-950-4782, we are here to help.

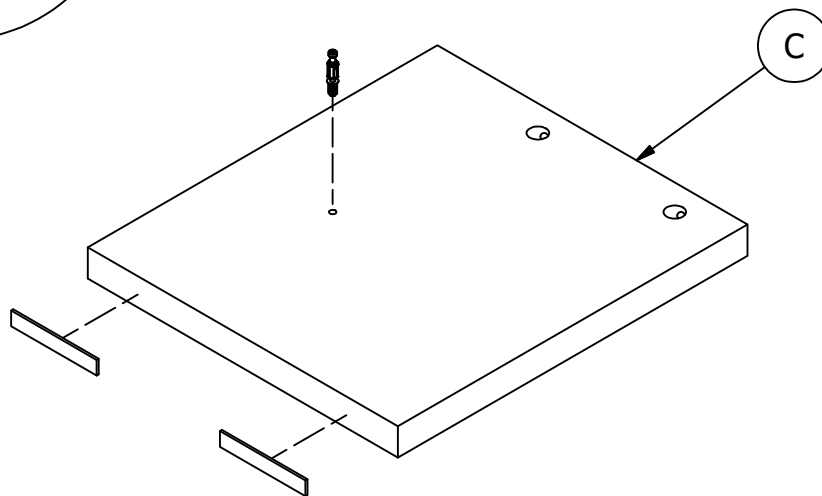
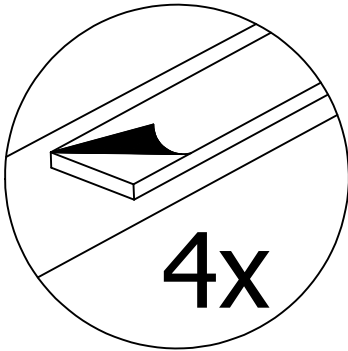
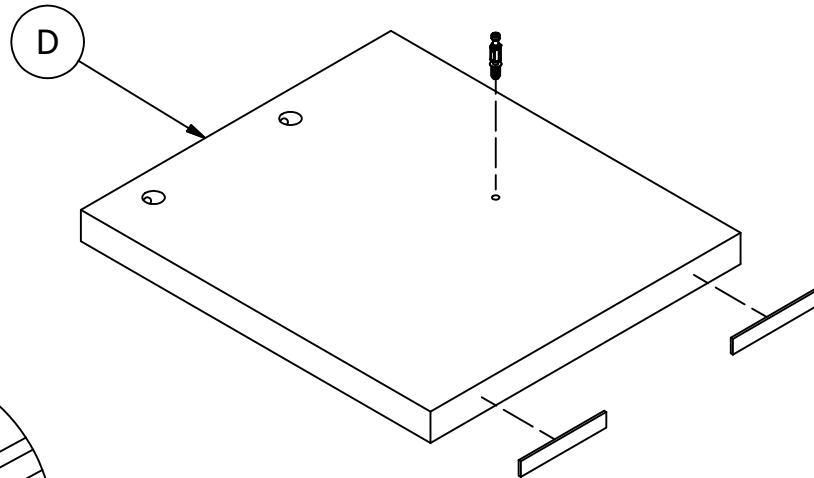
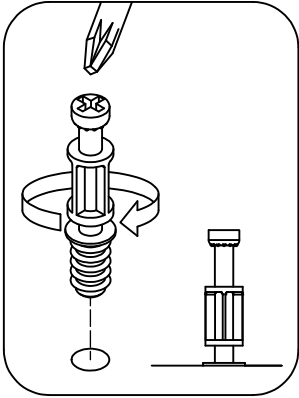
STEP 1

Prepare Panel

A218632

H72988 [2]
KD Bolt

H163969 [4]
Double Sided Tape



Have an assembly question or need a replacement part? Just call
1-800-950-4782, we are here to help.

STEP 2

Assemble Panels

A218632

Scan QR Code to Watch Video on:

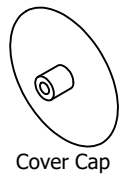


How to Tighten KD Cams

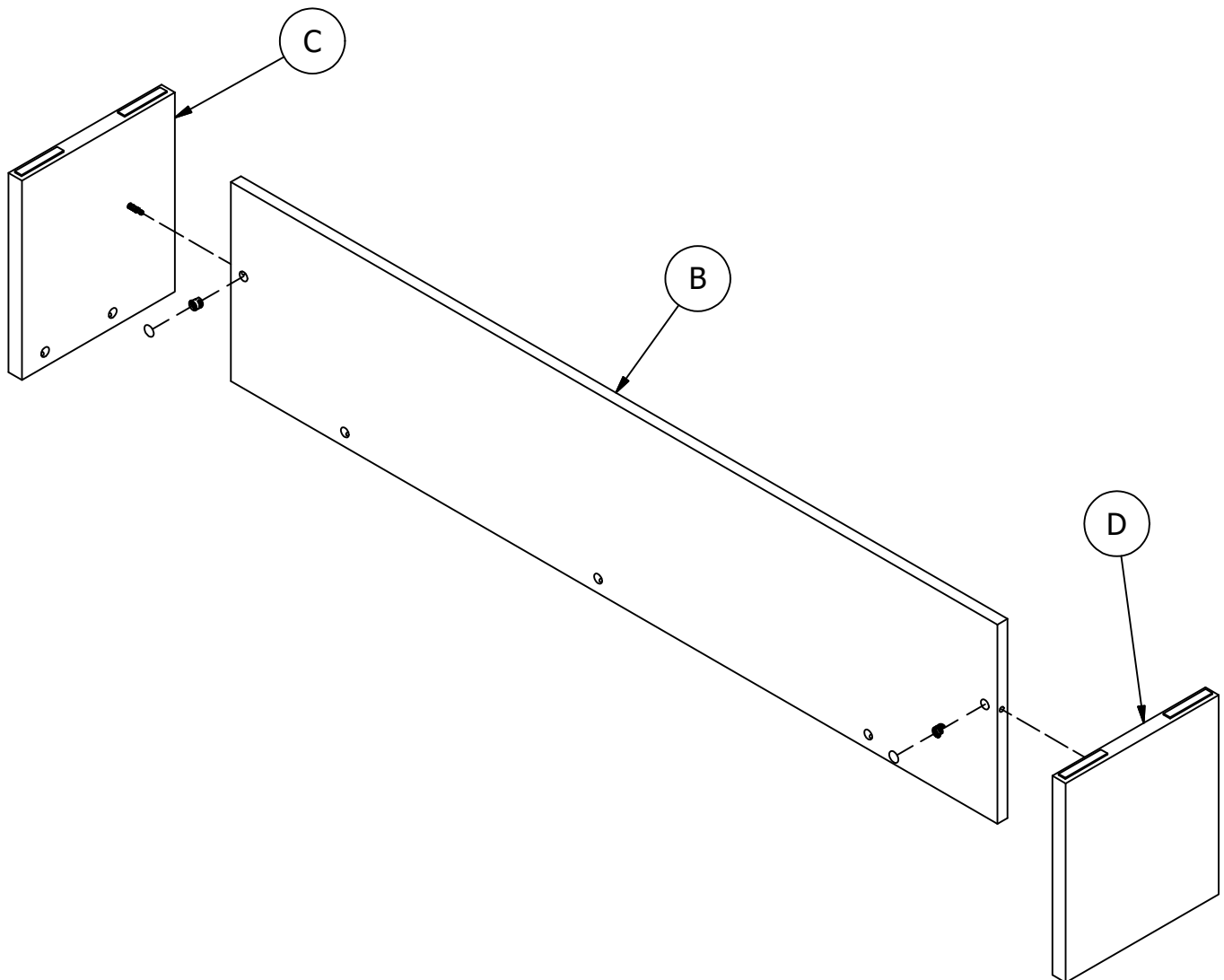
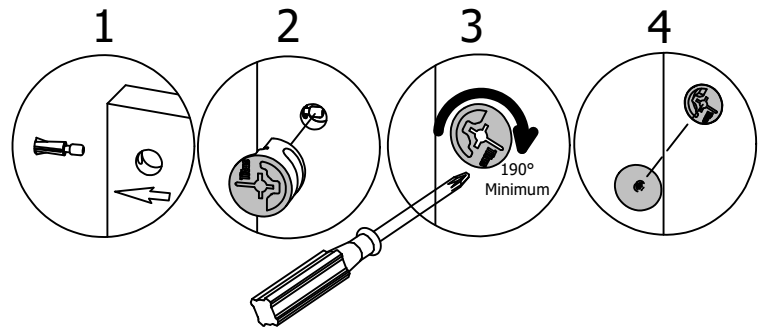
H181468US



[2]

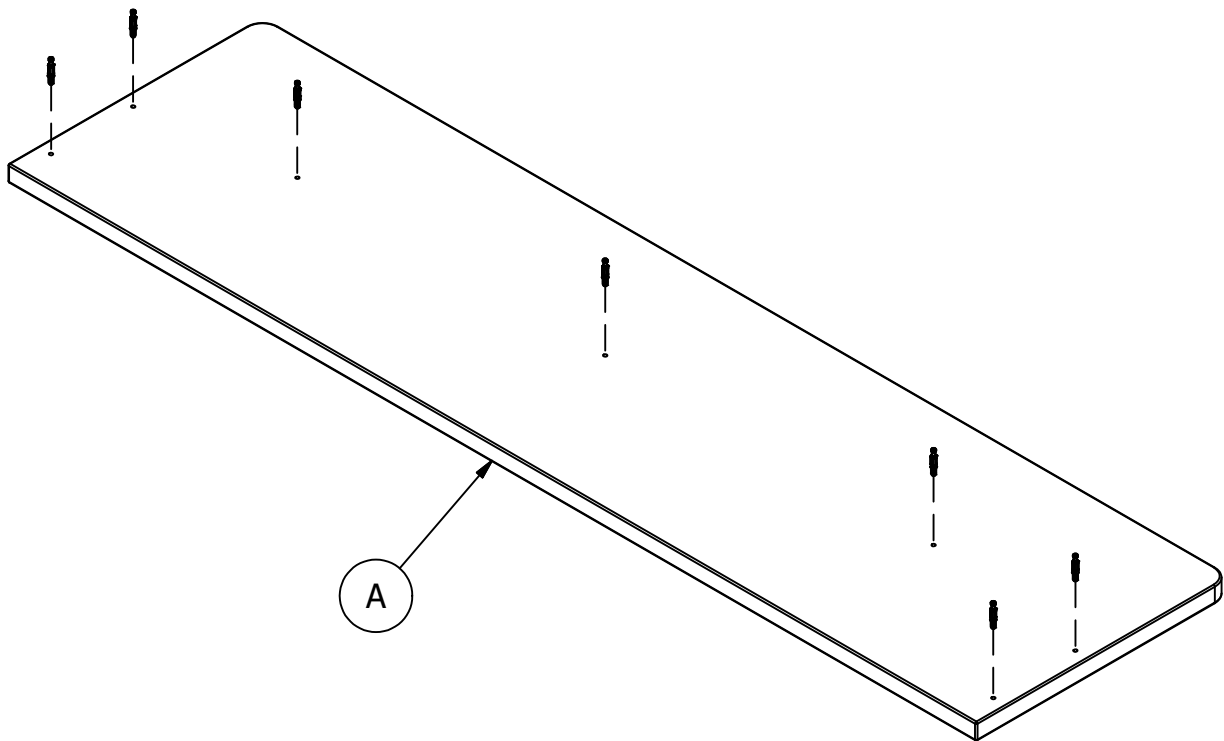
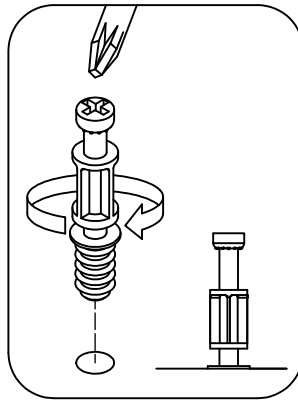


[2]



Have an assembly question or need a replacement part? Just call **1-800-950-4782**, we are here to help.

H72988 [7]
KD Bolt



STEP 4

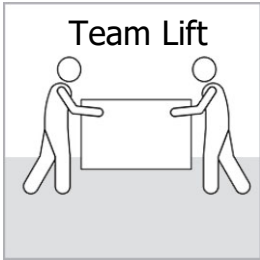
Assemble Panels

A218632

Scan QR Code to Watch Video on:



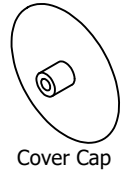
How to Tighten KD Cams



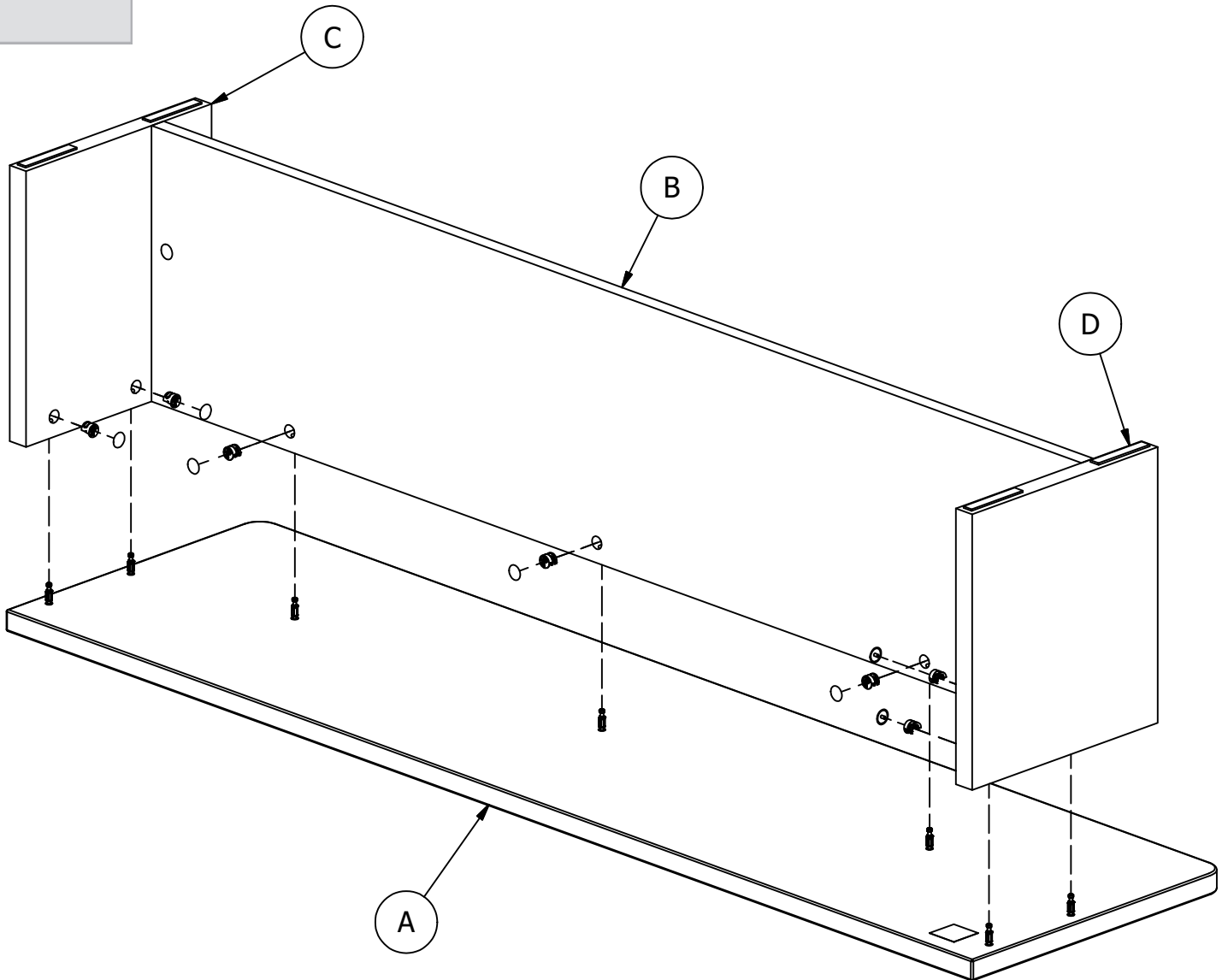
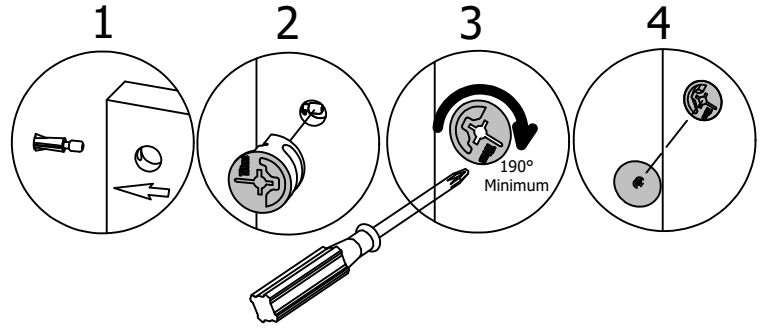
H181468US



[7]



[7]



Have an assembly question or need a replacement part? Just call **1-800-950-4782**, we are here to help.

CAUTION, hutch can not be repositioned, once set on work surface.

Attachment procedure:

- Clean surface with 50% isopropyl rubbing alcohol.
- Remove release paper.
- Align hutch as shown on next page(s) before setting it on work surface.
- Once hutch is attached, tap firmly with hand to ensure tape makes full contact.
- For replacement tape and hutch removal kit 34HREMOVE, call 1-800-950-4782.**

PRECAUCION, la alacena no puede ser relocalizada una vez montada en la superficie de trabajo.

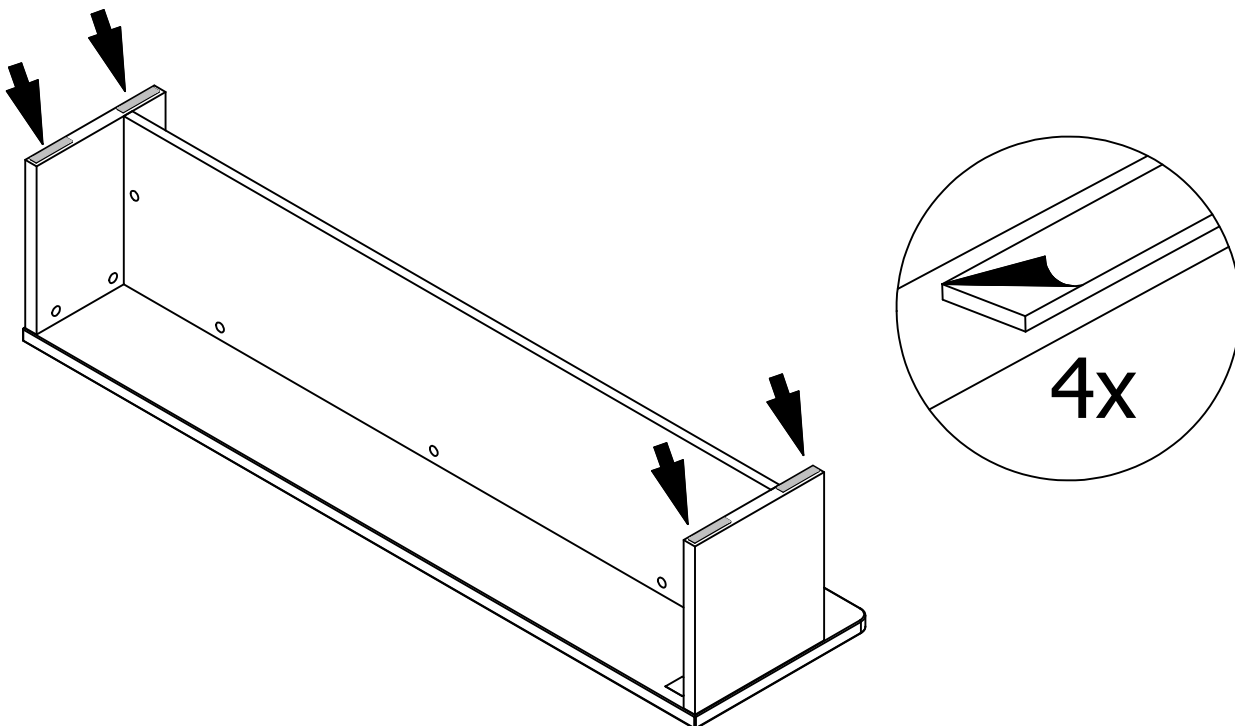
Procedimiento de instalación:

- Limpie la superficie con 50% alcohol parafricciones.
- Remueva el papel protector.
- Debe de alinear la alacena según indicado el la próxima página, antes de conectar a la superficie de trabajo.
- Una vez que la conejera esté colocada, golpee firmemente con la mano para asegurarse de que la cinta haga contacto completo.
- Para cinta adhesiva de repuesto y herramientas de separación 34HREMOVE, llame 1-800-950-4782.

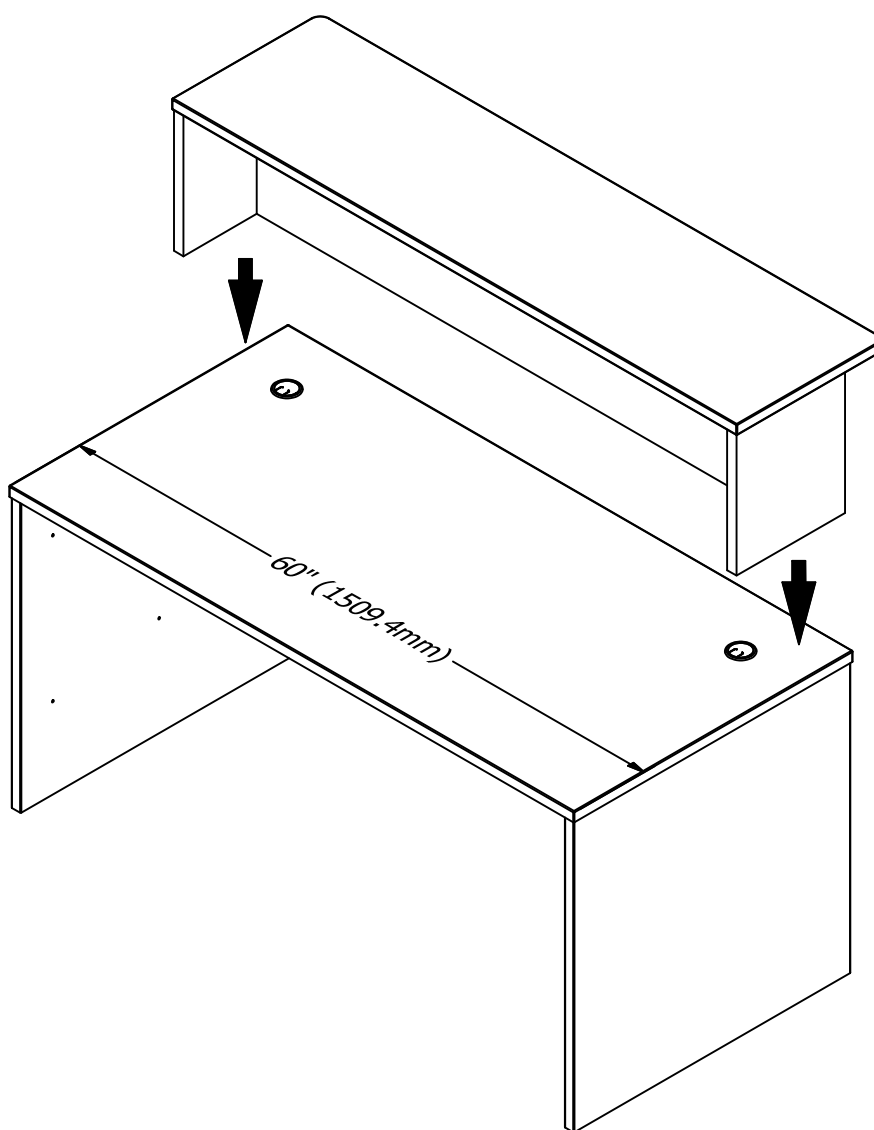
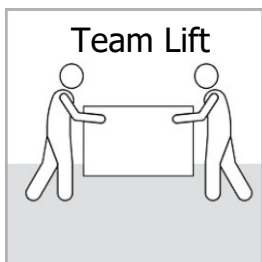
ATTENTION, l'huche ne peut pas être repositionné une fois mis sur la surface de travail.

Procédure d'attachement

- Nettoyez la surface avec de l'alcool isopropylique à 50%.
- Enlevez le papier de dégagement.
- Alignez l'huche comme indiqué sur la page suivante avant de le mettre sur la surface de travail.
- Une fois que le hutch est attaché, appuyez fermement à la main pour vous assurer que le ruban adhésif établit un contact complet.
- Pour la bande de rechange et le kit 34HREMOVE pour le déplacement d'huche, appelez svp 1-800-950-4782.



Have an assembly question or need a replacement part? Just call
1-800-950-4782, we are here to help.



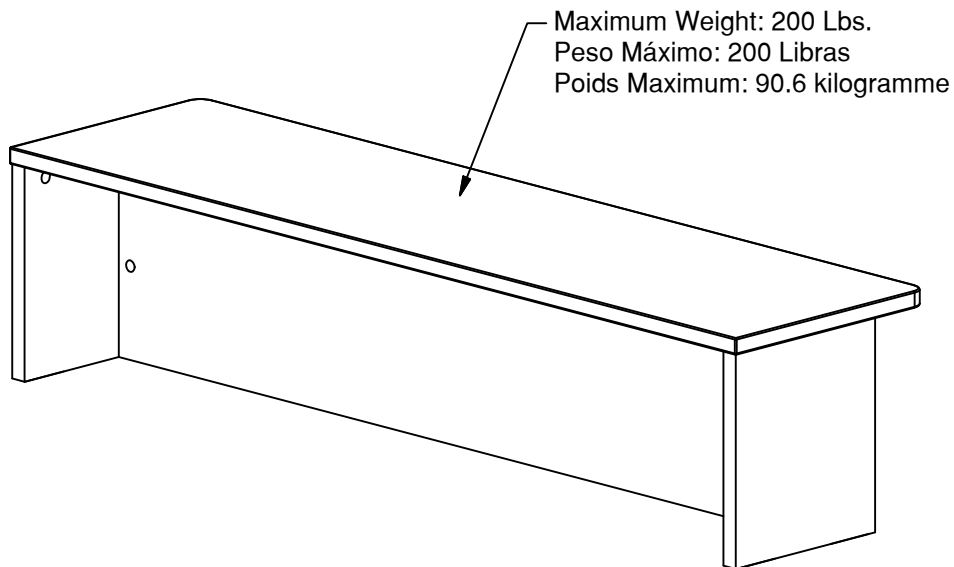
Have an assembly question or need a replacement part? Just call **1-800-950-4782**, we are here to help.

Scan QR Code to
Watch Video on:



How to Clean
the Surface

Gently clean surfaces with a damp sponge eraser.



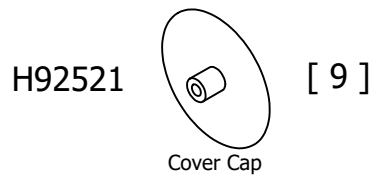
Congratulations! You are all done. If you have any questions or concerns,
please call.

Have an assembly question or need a replacement part? Just call
1-800-950-4782, we are here to help.

AVH160MR		
LABEL CODE	Part Number	QTY
A	W218620	1
B	W218621	1
C	W218623	1
D	W218622	1



AVH160SG		
LABEL CODE	Part Number	QTY
A	W218624	1
B	W218625	1
C	W218627	1
D	W218626	1



AVH160NE		
LABEL CODE	Part Number	QTY
A	W218628	1
B	W218629	1
C	W218631	1
D	W218630	1

