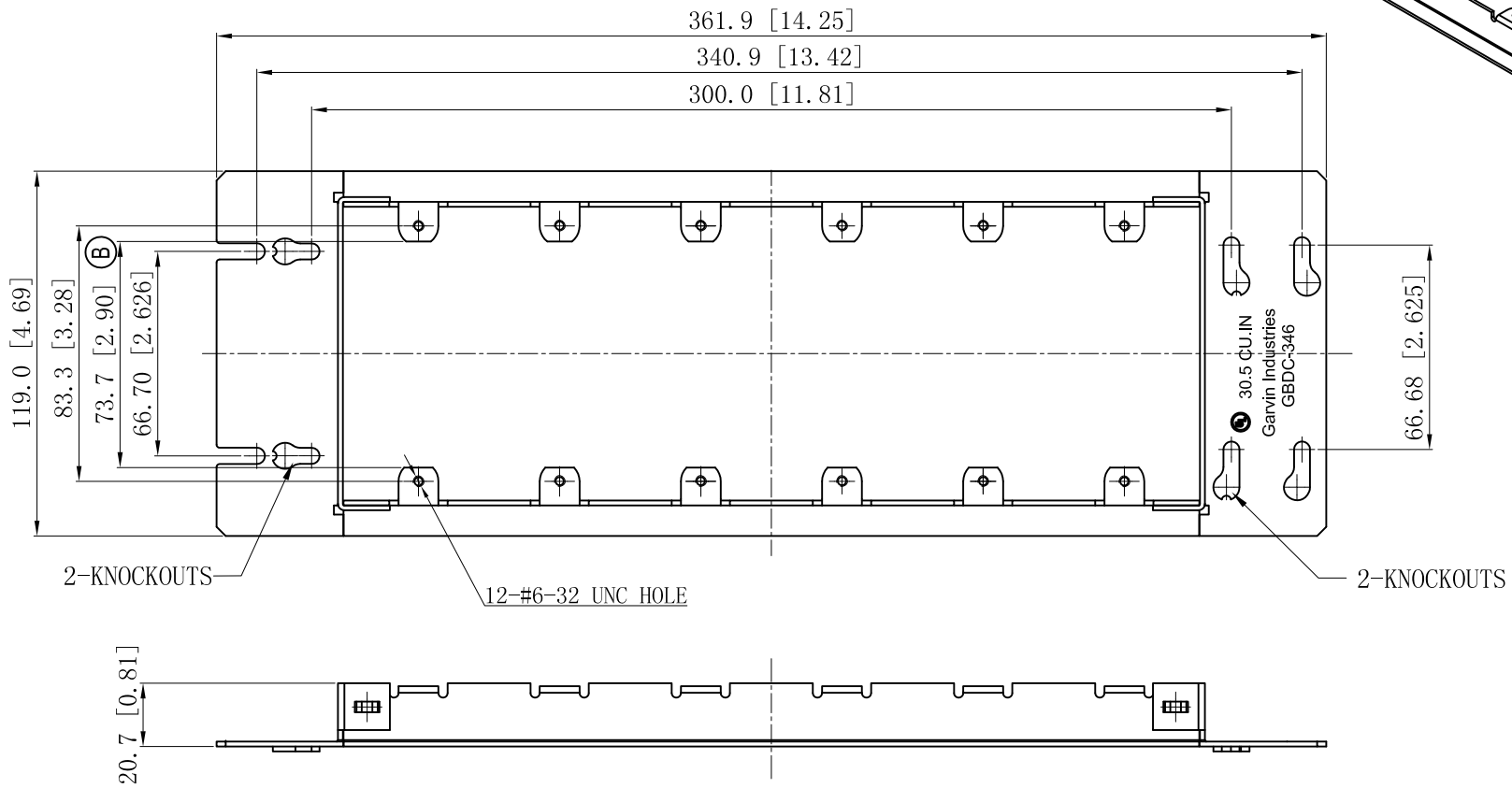
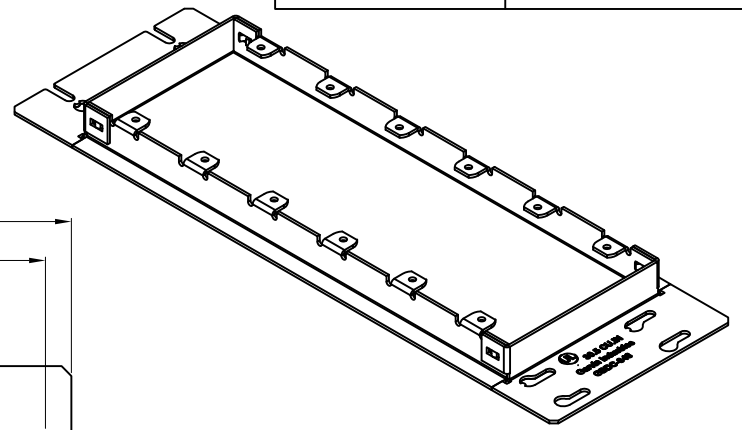


UL File # E22445

SIDES	BOTTOM
Material: Steel-0.0625"-G60 Galvanized	



This data sheet is for reference only .GARVIN INDUSTRIES reserves the right to make changes to the design without prior notice.

DESCRIPTION
TRADE REFERENCE TERMS

STANDARD PACKING
5 PCS

GARVIN INDUSTRIES	
TITLE 3/4"RAISED MULTI-GANG DEVICE COVERS	
SIZE A4	DWG NO. GBDC-346
DATA SHEET	
REV B	