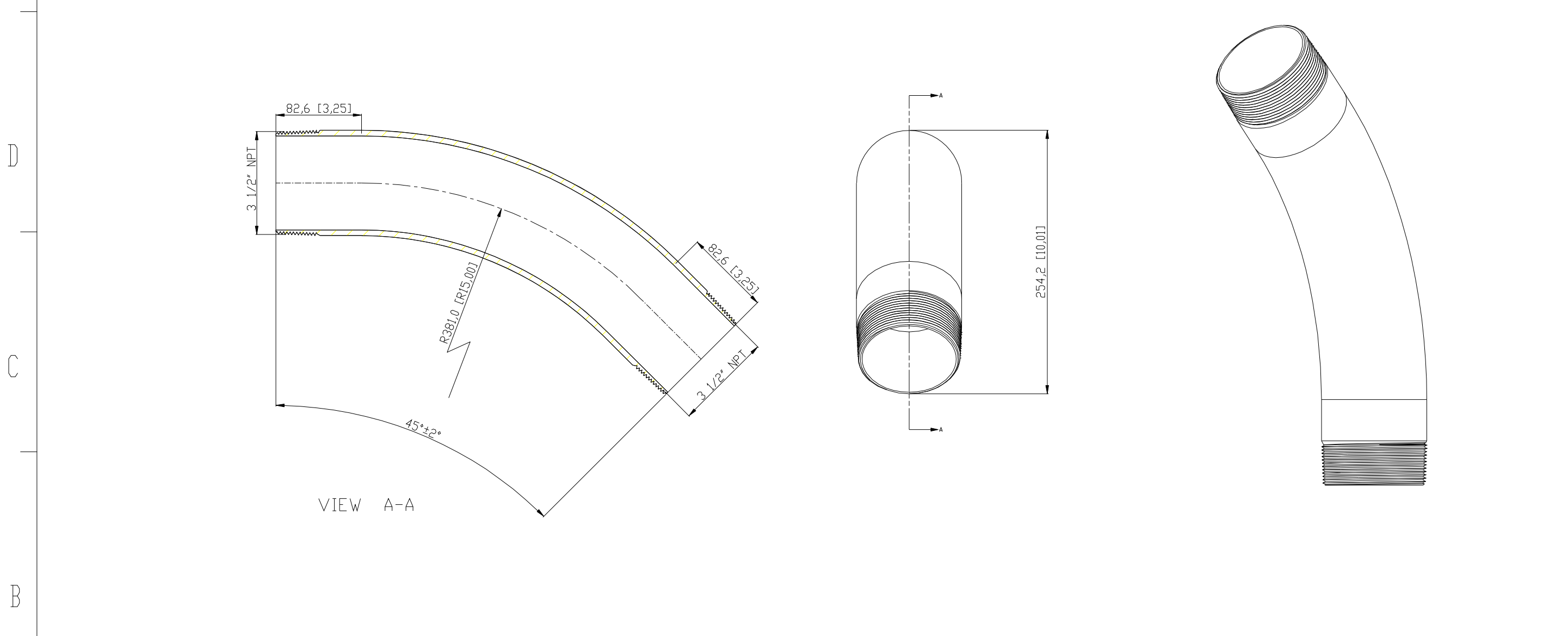


	1	2	3	4	5	6	7
	<b>SIDES</b>		<b>BOTTOM</b>				
F							
	<b>Material: Steel-(C1008-C1018) Galvanized</b>						



This data sheet is for reference only .GARVIN INDUSTRIES reserves the right to make changes to the design without prior notice.

<b>DESCRIPTION</b>
<b>TRADE REFERENCE TERMS</b>

<b>STANDARD PACKING</b>
5 PCS

<b>GARVIN INDUSTRIES</b>		
<b>TITLED</b> THREADED RIGID ELBOWS		
<b>SIZE</b> A4	<b>DWG NO.</b> DS-RE-35045	<b>REV</b> B