

NOTES: UNLESS OTHERWISE SPECIFIED

1. MATERIAL SPECIFICATIONS:

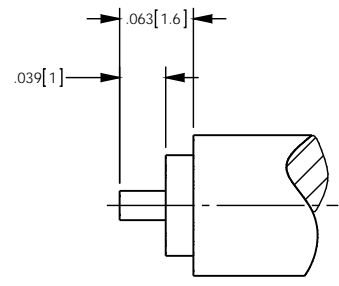
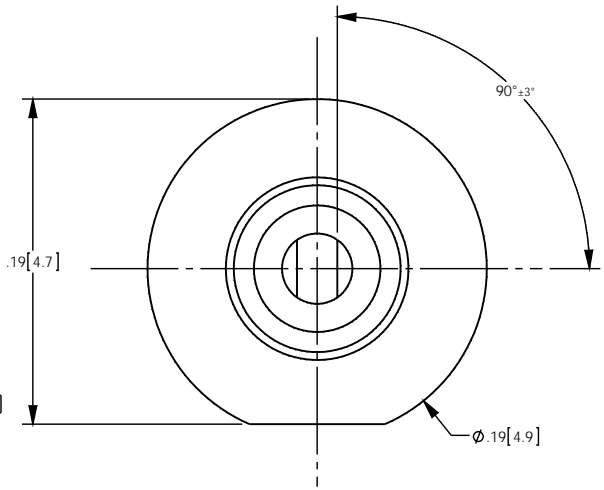
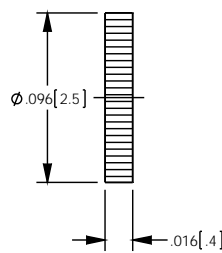
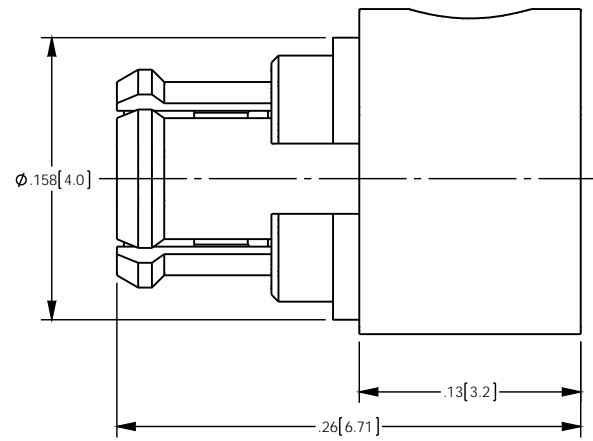
BODY AND CONTACT: BERYLLIUM COPPER
 INSULATOR: PTFE
 RETAINING RING AND COVER: BRASS

2. FINISH SPECIFICATIONS:

CONTACT: .000030 MIN THICK GOLD OVER .000050 MIN THICK NICKEL
 ALL OTHER METAL PARTS: .000003 MIN THICK GOLD OVER .000080 MIN THICK NICKEL

3. COVER SHIPPED LOOSE.

REV	DESCRIPTION	BY DATE	APPD
A	ER057284	CR 04/30/15	IT



RECOMMENDED CABLE TRIM DIMENSIONS

CATALOG P/N: 2021E504-047

<small>PER ASME Y14.5M-1994 UNLESS OTHERWISE SPECIFIED, DIMENSIONS ARE IN INCHES (MM) TOLERANCES: DECIMAL: .XX [XX] ± .01 [0.3] .XXX [XXX] ± .005 [0.13] .XXXX [XXXX] ± .0005 [0.013]</small>				 <small>Winchester Electronics Corporation 199 Park Road Ext Suite 104 Middlebury, Connecticut 06762</small>	
<small>ANGLES: ± 2° SCALE: 12:1</small>				CUSTOMER SALES DRAWING	
<small>DRAWN</small> CY		<small>DATE</small> 04/27/2015		<small>APPROVED</small> DATE	
<small>APPROVED</small> .XXX		<small>DATE</small> XX/XX/XX		<small>APPROVED</small> DATE	
<small>THIRD ANGLE</small> 		SMP R/A PLUG FOR .047 SR CABLE OR EQUIVALENT CABLE (ROHS)		A SD2021E504-047	
				<small>SHT</small> 1	<small>OF</small> 1
				<small>REV</small> A	