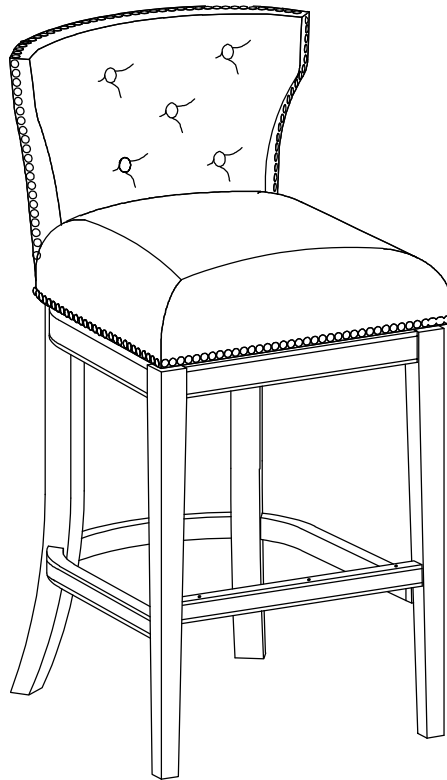


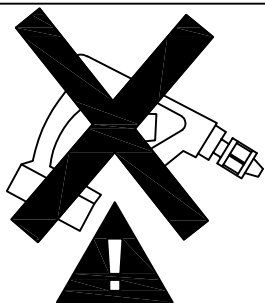
# ASSEMBLY INSTRUCTION

## Counter Height Stool Bar Height Stool Memory Return Swivel

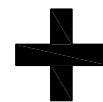
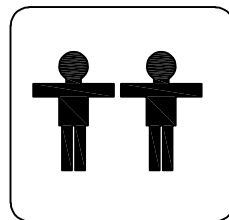


### REPLACEMENT PARTS

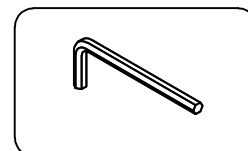
Please do not contact the company purchased from as we can help you faster.  
Order replacement parts and hardware at " [www.boltonfurniture.com](http://www.boltonfurniture.com) "



- . Use of power tool to assemble this product will invalidate any claim and damage this product making it unsafe !!!
- . Please assemble on a clean soft surface to avoid damage.



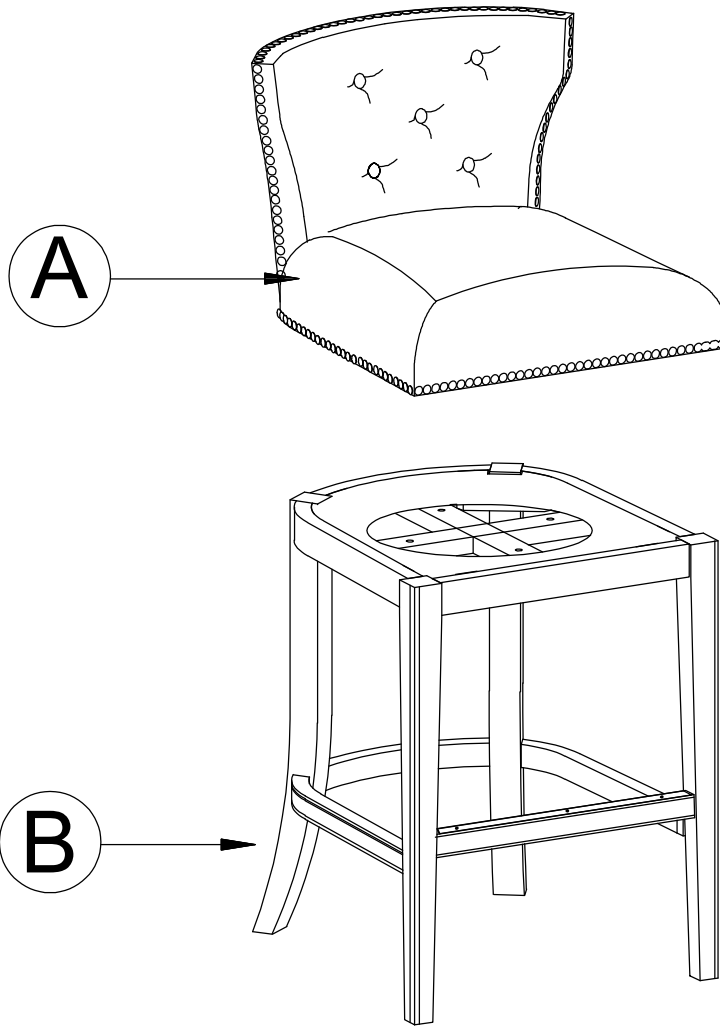
### Tools Required



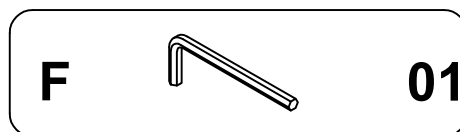
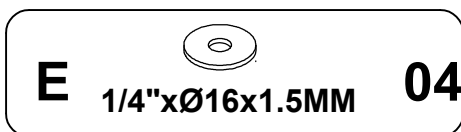
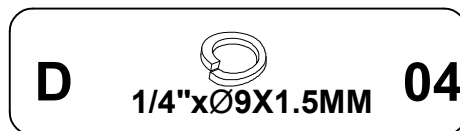
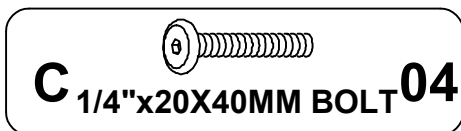
[www.boltonfurniture.com](http://www.boltonfurniture.com)

# Part list -Counter Height Stool/Bar Height Stool

## Memory Return Swivel




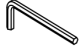


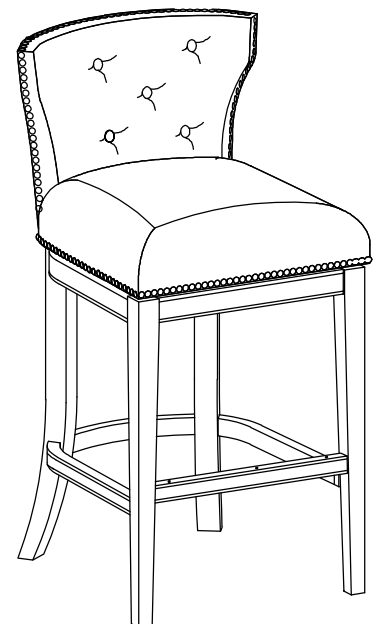
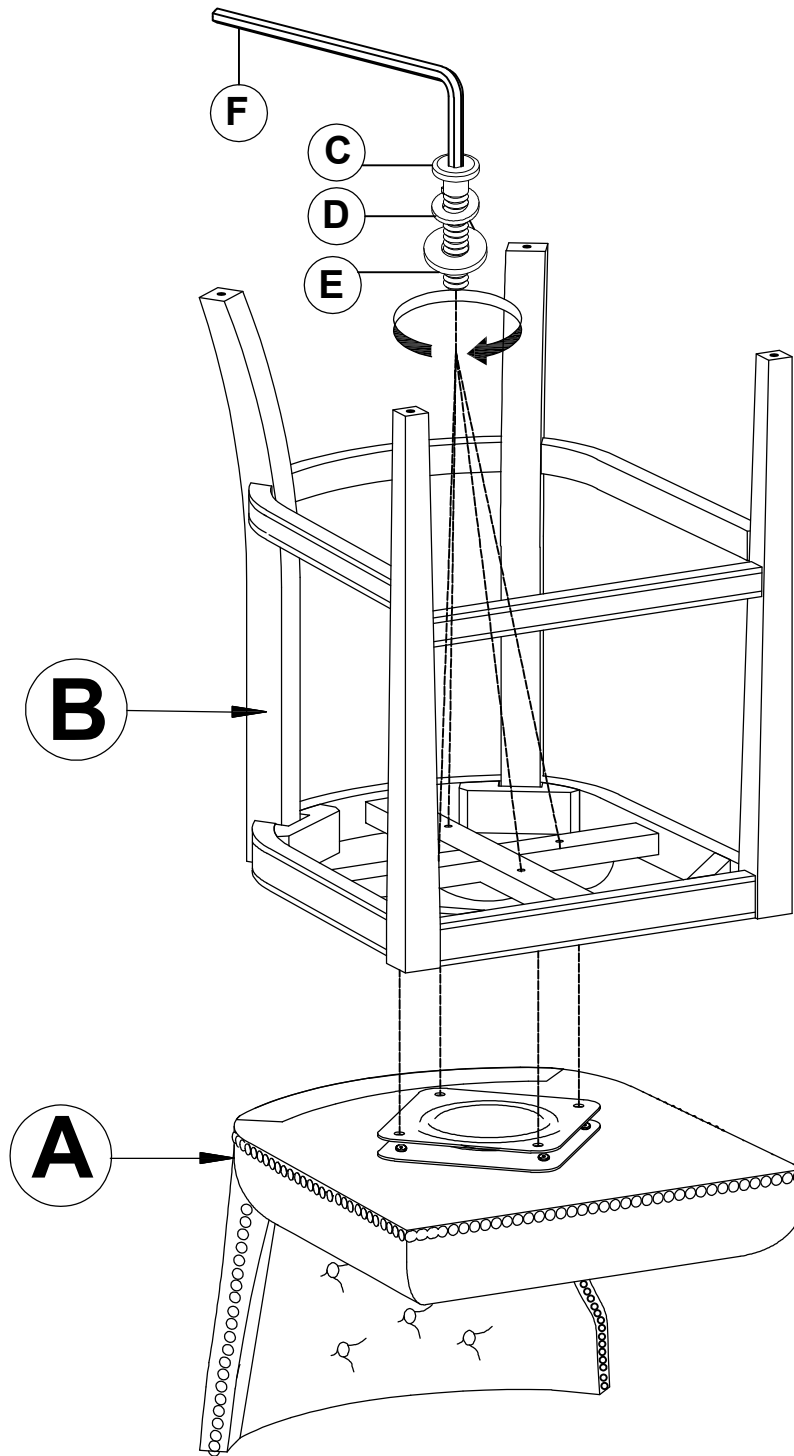
**Identifying the hardware-**Identify the hardware using the illustrations below



# Step 01

## Memory Return Swivel

|                   |   |           |
|-------------------|---|-----------|
| <b>C</b>          |   | <b>04</b> |
| 1/4"x20X40MM BOLT |   |           |
| <b>D</b>          |  | <b>04</b> |
| 1/4"xØ9X1.5MM     |   |           |
| <b>E</b>          |  | <b>04</b> |
| 1/4"xØ16x1.5MM    |   |           |
| <b>F</b>          |  | <b>01</b> |



[www.boltonfurniture.com](http://www.boltonfurniture.com)