

**AXOR Starck**  
**Thermostatic Trim with Volume Control and Diverter**  
 Finishes : **chrome**    Part no. : **10720001**



## Description

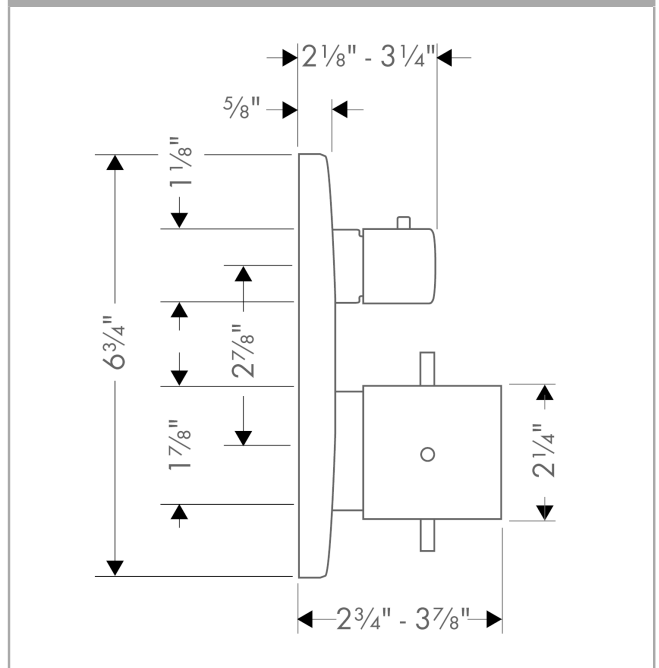
### Features

- Volume control and diverter for 2 outlets
- Flow: 7.0 GPM (26.5 L/Min)
- Thermostatic cartridge, Shut-off/ diverter valve
- Anti-scald 100° safety stop

## Product image



## Scale drawing

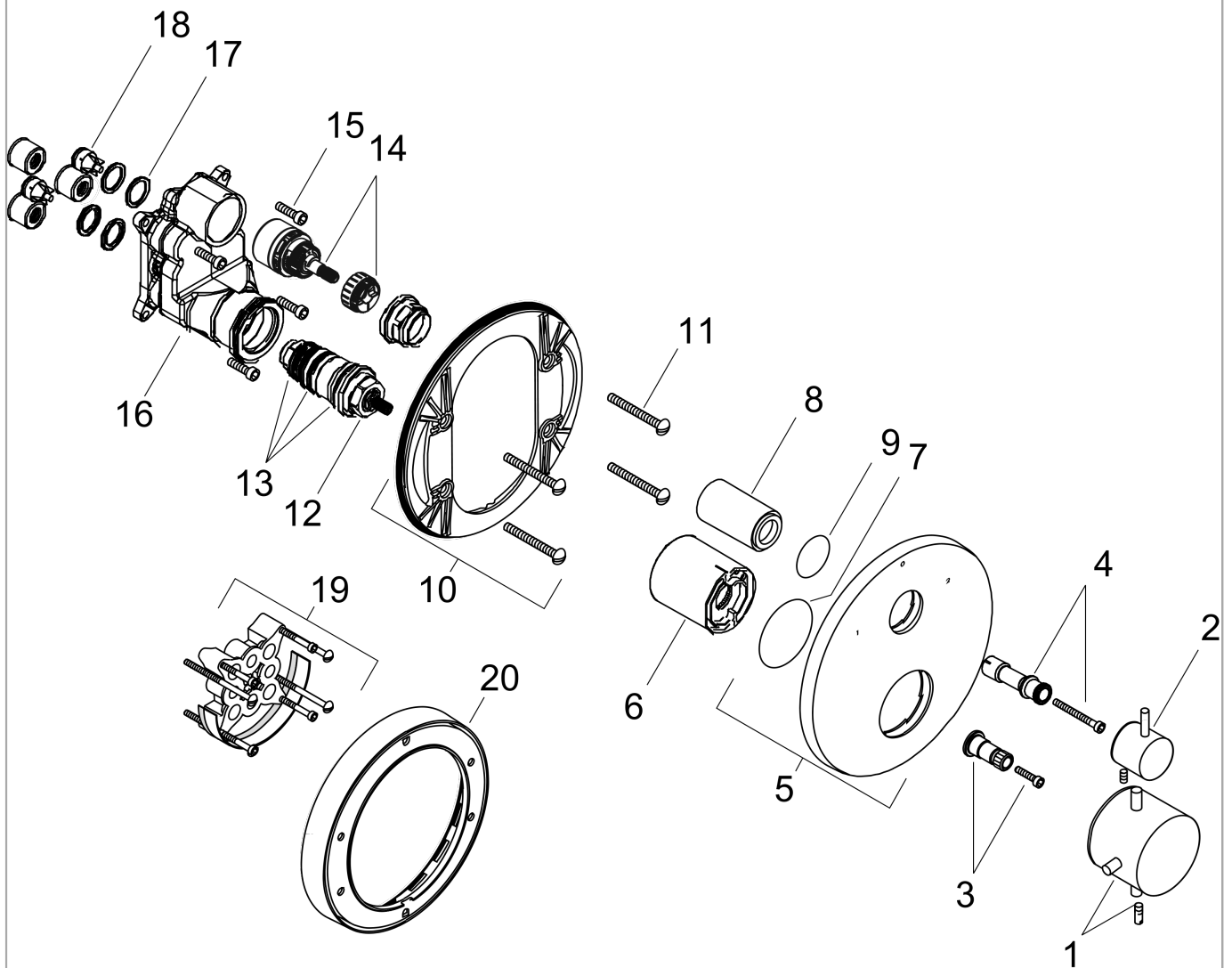


**AXOR Starck**  
**Thermostatic Trim with Volume Control and Diverter**  
Finishes : **chrome**    Part no. : **10720001**



## Exploded drawing

Year of production: >06/13



**AXOR Starck**  
**Thermostatic Trim with Volume Control and Diverter**  
 Finishes : **chrome**    Part no. : **10720001**



## Spare parts list

Year of production: >06/13

Pos.	Description	Part no.	PC	PU
1	handle for thermostat	10391001	0	1
2	handle	96520000	0	1
3	adapter for handle	96435000	0	1
4	adapter for handle	95256000	0	1
5	escutcheon Ø 170 mm	95804000	0	1
6	sleeve	96439000	0	1
7	O-Ring 48x3	95508000	0	1
8	sleeve	95253000	0	1
9	O-ring 29x3	98371000	0	1
10	sub plate	96447000	0	1
11	set of fixing screws	96454000	0	1
12	thermostat cartridge	94282000	0	1
13	sealing set	95037000	0	1
14	shut off unit with selector	98283000	0	1
15	set of screws	96525000	0	1
16	installation unit cpl.	92592000	0	1
17	O-ring 16x2	98133000	0	1
18	set of non return valves DW 15	97350000	0	1
19	extension 25 mm	13595000	0	1
20	extension 22 mm (Ø 170 mm)	13596000	0	1