



Serif® | K-2075-8

22-1/4" oval drop-in bathroom sink

Features

- 8" (203 mm) widespread faucet holes
- Oval basin
- Overflow drain
- Coordinates with other products in the Serif collection



Available Colors/Finishes

Color tiles intended for reference only.

- 0 White
- 96 Biscuit



1-800-4KOHLER (1-800-456-4537)
Kohler Co. reserves the right to make revisions without notice to product specifications.
For the most current specification sheet, go to www.kohler.com USA or www.kohler.ca Canada.
4-7-2026 21:3 - US-CA

THE BOLD LOOK
OF **KOHLER**

Codes/Standards

ADA, OBC, CSA B651 compliant when installed to the specific requirements of these regulations.

ADA CSA B651 OBC

ASME A112.19.2/CSA B45.1
ADA
ICC/ANSI A117.1
CSA B651
OBC

Technical Information

| | |
|-----------------------|------------------|
| Number of Deck Holes: | 3 |
| Faucet Hole(s) Size: | 1-3/8" (35 mm) |
| Center(s): | 8" (203 mm) |
| With Overflow: | Yes |
| Drain Hole Diameter: | 1-3/4" (44 mm) |
| Basin Configuration: | Single Bowl |
| Basin Length: | 16-7/8" (429 mm) |
| Basin Width: | 10-1/8" (257 mm) |
| Basin Depth: | 6-5/8" (168 mm) |

Material

- Vitreous china

Recommended Products/Accessories

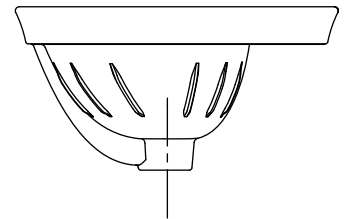
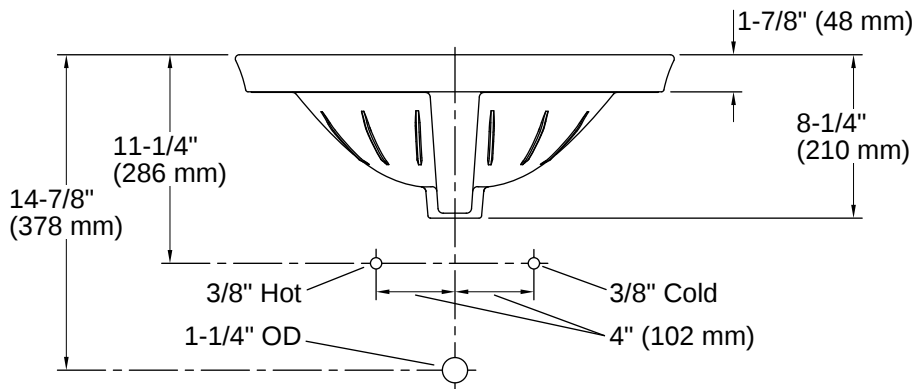
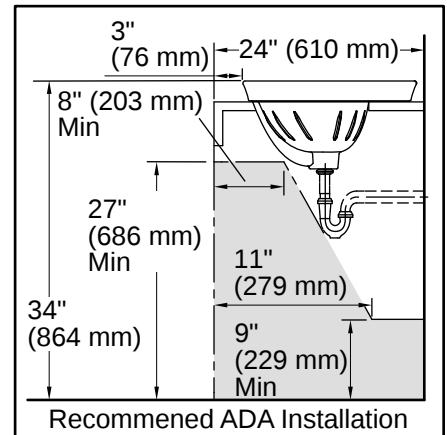
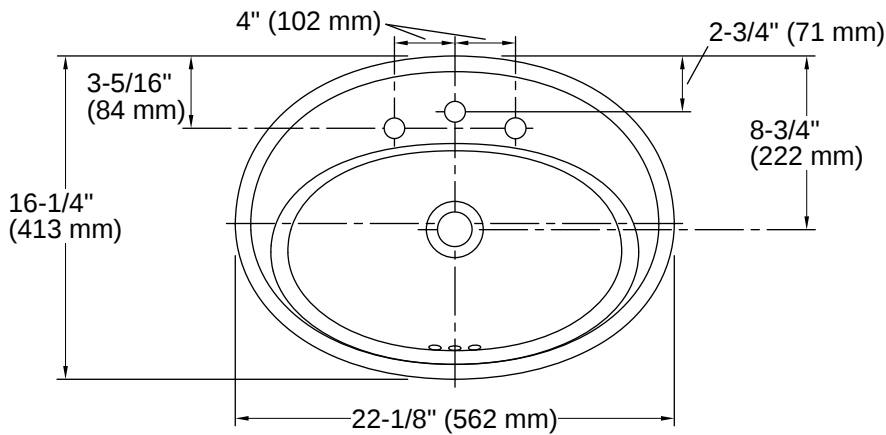
- K-23726 Drain treatment
- K-8998 Adjustable P-trap with tubing outlet, 1-1/4" x 1-1/4"
- K-23725 Cast iron cleaner

Warranty

See website for detailed warranty information.

KOHLER® Vitreous China Bathroom Sink Lifetime Limited Warranty





Installation

- Drop-in

Installation Notes

Install this product according to the installation instructions.

NOTICE: Countertop manufacturer or cutter must use the cut-out template provided with the product, or a current one provided by Kohler Co. (call 1-800-4-KOHLER). Kohler Co. is not responsible for cutout errors when the incorrect cut-out template is used.

Product dimensions are nominal and may vary per ASME A112.19.2 tolerances.

ADA, OBC, CSA B651 compliant when installed to the specific requirements of these regulations.

