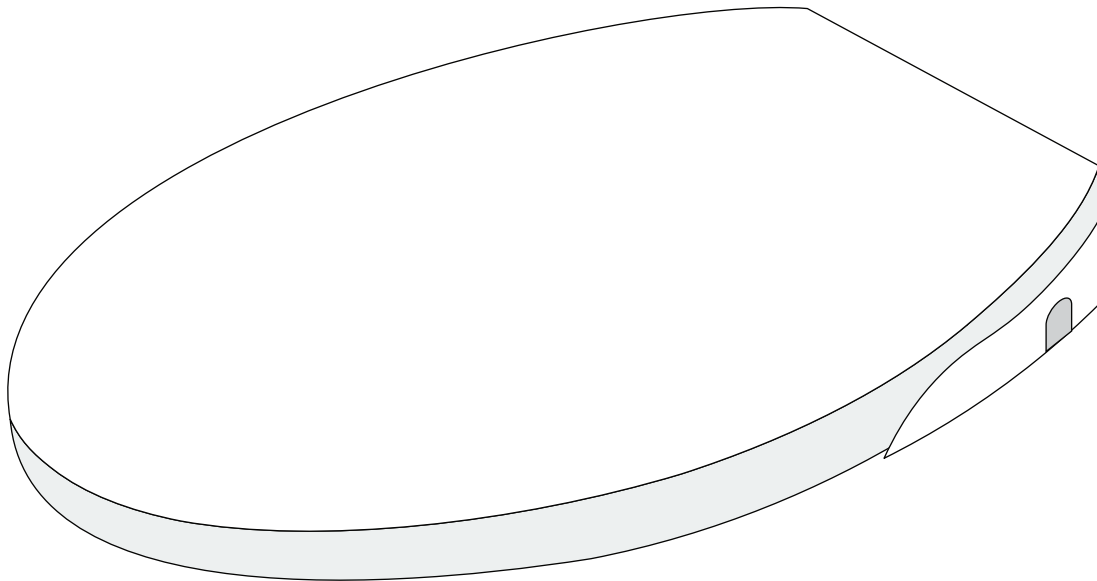


Aqua Non-Electric Smart Toilet Seat Bidet INSTALLATION INSTRUCTIONS

Swiss Madison®
well made forever



@SwissMadison
#WellMadeForever



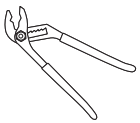


PRIOR TO INSTALLATION:

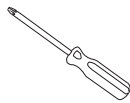
- Inspect bidet to ensure no damages have occurred while in shipping.
- Observe all plumbing and building codes in accordance with your state and local requirements.
- All dimensions are nominal! Be sure to measure your toilet seat prior to installation.
- The step-by-step guidelines in the installation instructions are a general reference. Should there be any discrepancies, Swiss Madison cannot be held liable. It is recommended to install all Swiss Madison products by hiring a licensed professional.
- Read installation and maintenance instructions thoroughly before installing. Be sure to use proper tools and always wear proper personal safety accessories for your protection.
- Please use the new hose sets supplied with the product. Do not use other hose sets with the product.
- Open angle valve to clear any impurities in the pipe prior to installation.
- Water supply pressure must be 0.07-0.8 MPa.

If you have any questions or concerns please contact us:
1-434-623-4766
info@swissmadison.com

SUGGESTED TOOLS & MATERIALS:



Pliers



Screwdriver

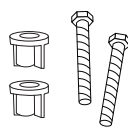


Bucket &
Rag

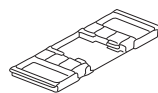
INCLUDED PARTS:



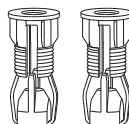
Smart Seat
Bidet



Nuts &
Bolts



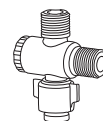
Fixing
Plate



Expansion
Bolts



Adjustment
Sheets

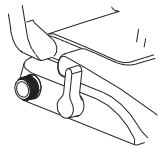


T-Pipe

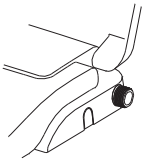


Inlet Hose
with Filter

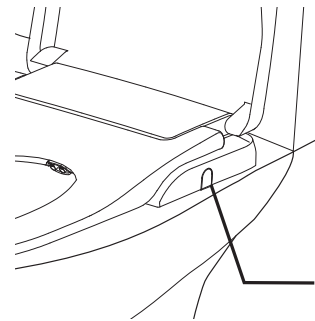
SKU	SM-STS31
Water Inlet	Side
Wash Water Flow	0.09 gal/min - 0.48 gal/min
Bidet Water Flow	0.09 gal/min - 0.48 gal/min
Backflow Prevention	Check valve, vacuum breaker
Water Supply	Direct from water pipes
Water Pressure Range	Static pressure: 0.07 - 0.8 MPa, Dynamic pressure: above 0.03 MPa



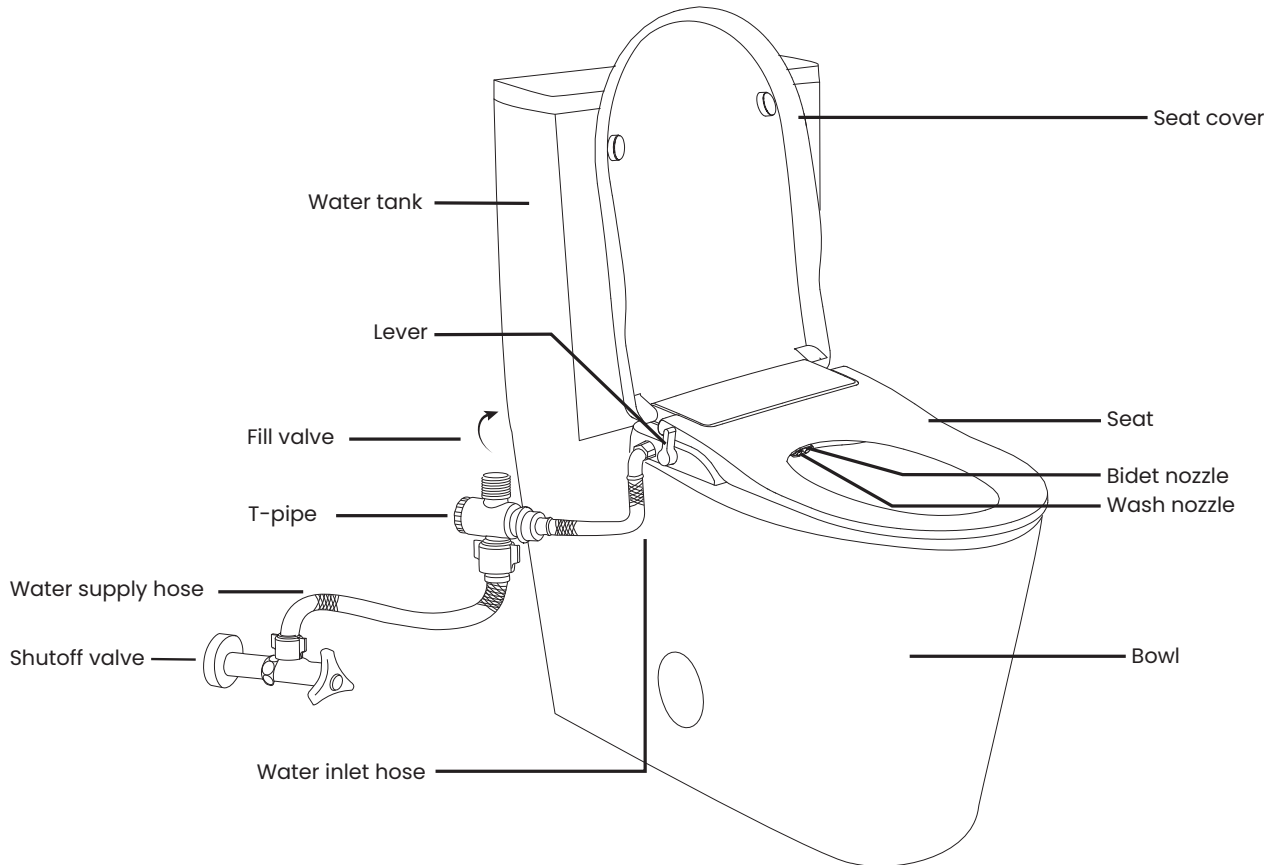
Water inlet on the left



Water inlet on the right



Dismantlement button



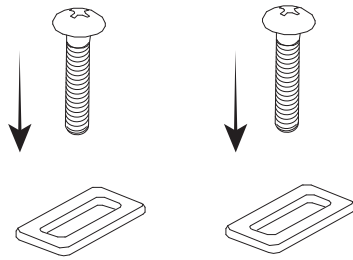
PRE-INSTALLATION

CAUTION:

- The water pressure limit is from 0.07 to 0.8 MPa, please use as instructed.
- The water shutoff valve should be near where the product can be installed and dismantled.

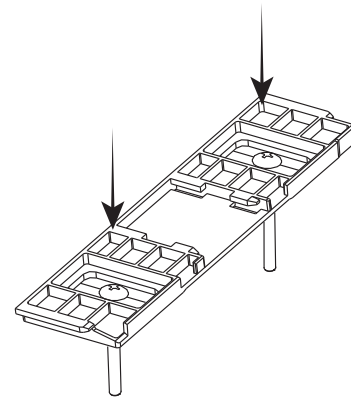
1. Insert Connecting Bolts

- Insert the connecting bolts in the holes of adjustment sheets as shown.



2. Insert into Fixing Plate

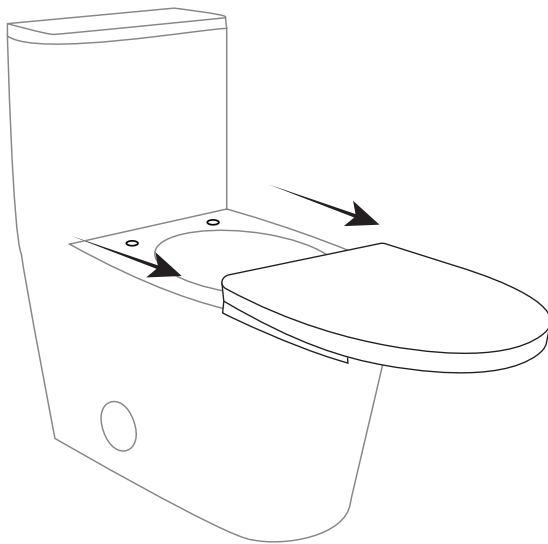
- Insert the connecting bolts in the holes of adjustment sheets in the holes of the fixing plate as shown.



INSTALLATION

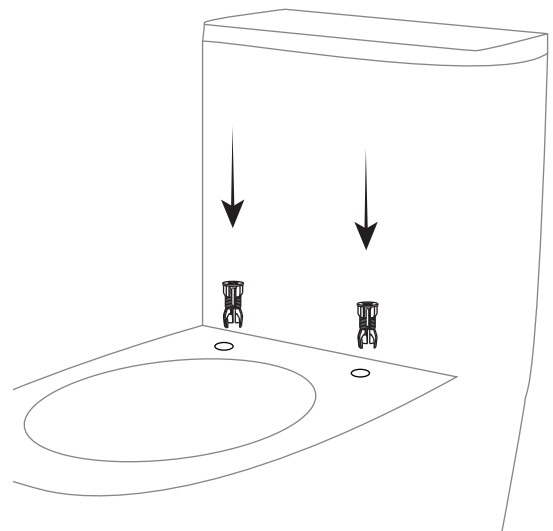
1. Remove Old Seat

- Remove old seat according to manufacturer's instructions.



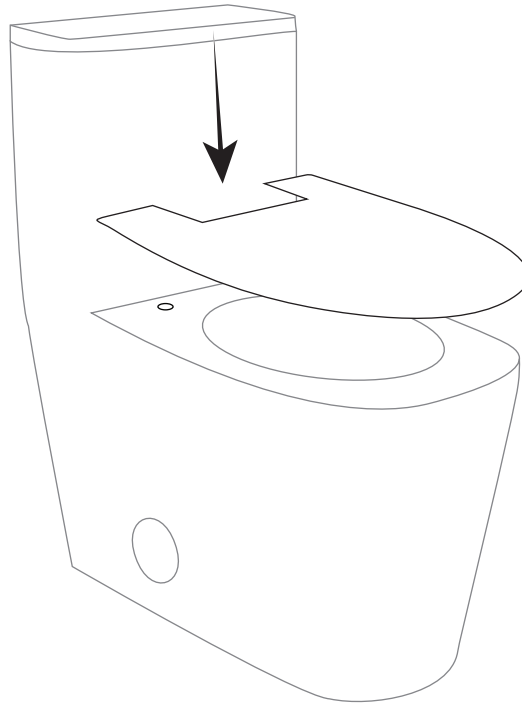
2. Install Mounting Hardware

- Insert expansion bolts into ceramic holes.



3. Install Installation Template

- Install the installation template on the toilet as shown.



4. Attach the Adaptable Panel

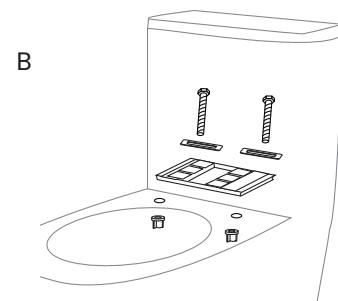
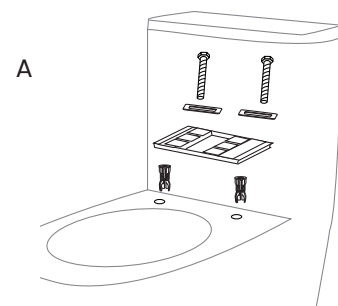
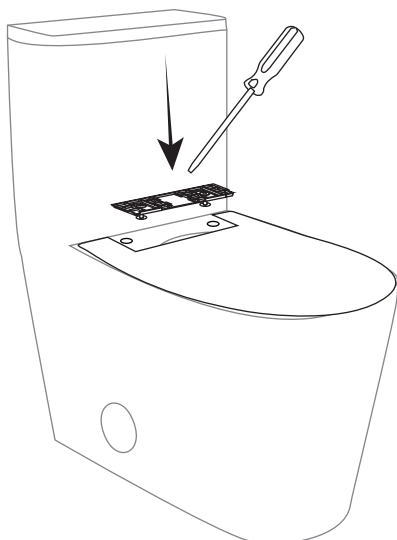
Installation A:

- Place the fixing plate over the expansion bolts, followed by the adjustment sheets then screws.
- Tighten screws with screwdriver.

Installation B:

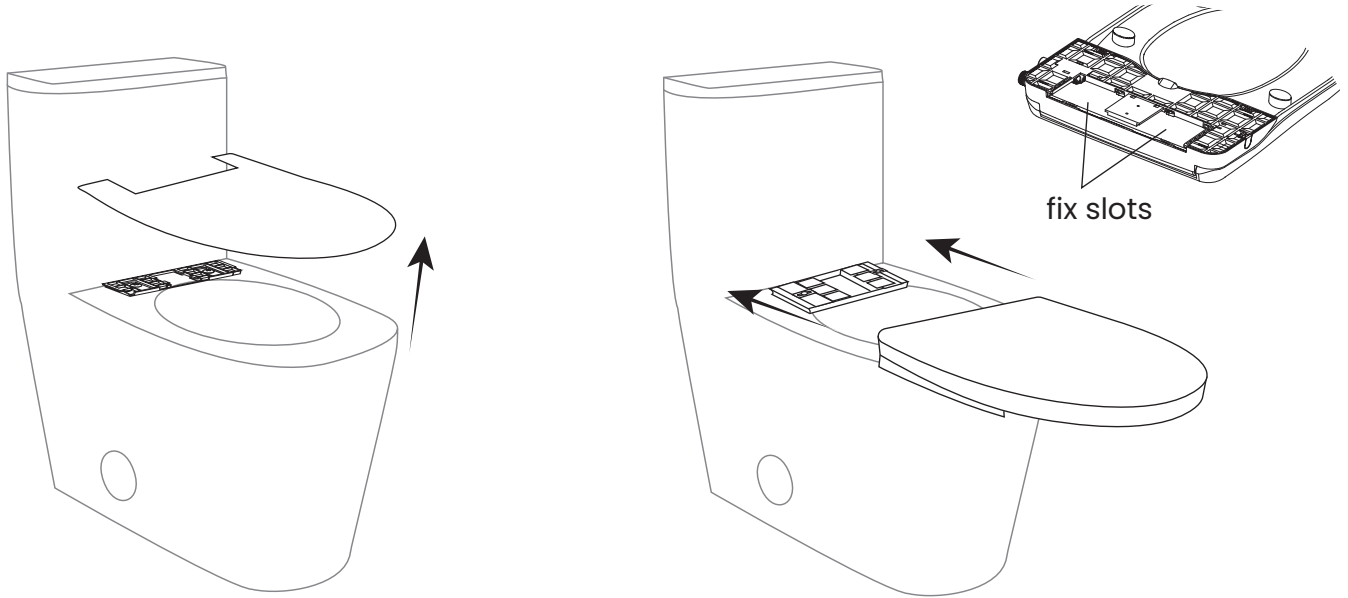
- Place the fixing plate over ceramic holes, followed by the adjustment sheets then screws.
- Tighten nuts underneath screws.

NOTE: Keep the side labeled "FRONT" facing up.



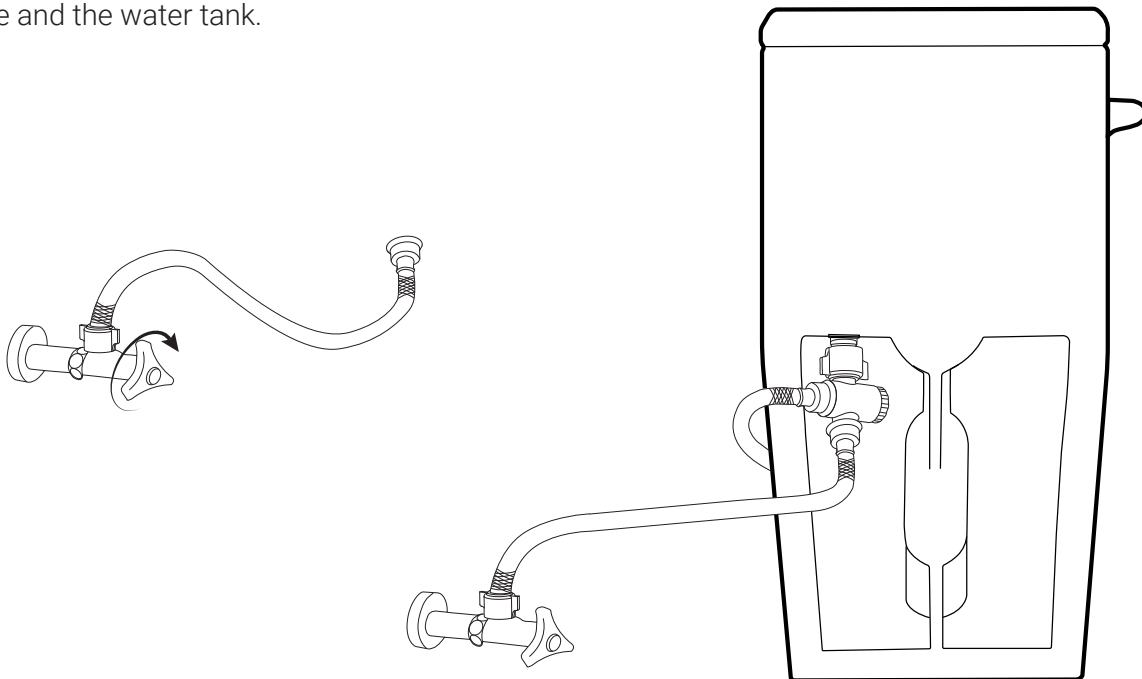
5. Remove Installation Template & Install Product

- Remove installation template.
- Keep the fix slots under the product aim at slots on the fixing plate. Push the product to the end as shown below. Then complete installation.



6. Turn off Water

- Close the water valve and detach water pipe from the water tank.
- Connect the T-pipe to the water tank.
- Make sure that rubber sealing ring is inserted between the T-pipe and the water tank.



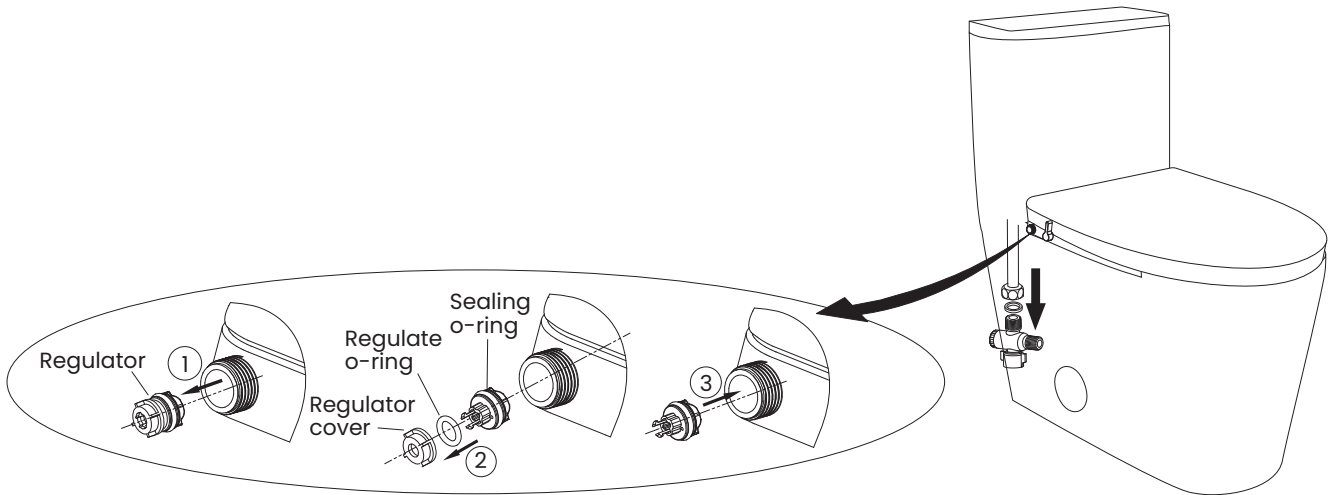
7. Connect Water Pipe to the T-Pipe

NOTE: Please remove the regulator cover and regulate o-ring under the following conditions:

- a. When the water dynamic pressure is lower than 0.05 MPa.
- b. When the nozzle cannot work normally and water is low.

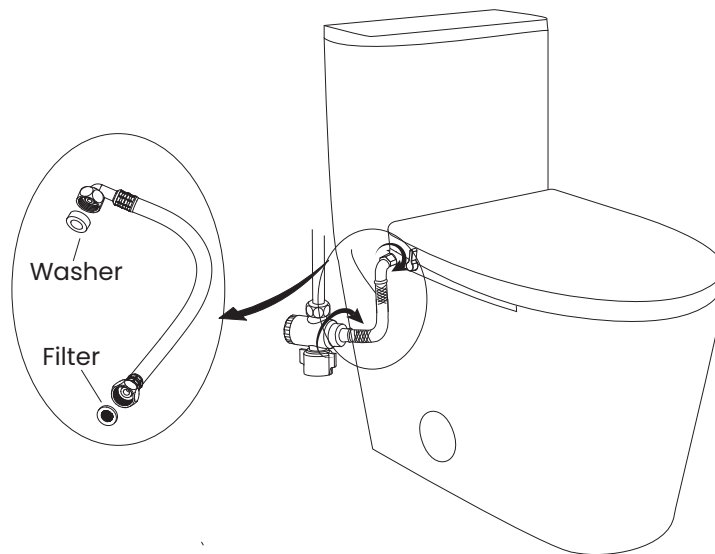
- Take out regulator with pliers.
- Remove the regulator cover and regulate o-ring except the sealing o-ring.
- Insert the regulator component into the inlet pipe.

CAUTION: Must use the regulator cover and regulate o-ring when the water pressure is bigger than 0.1 MPa.



8. Connect Water Hose

- Press the filter and washer at the two ends of water hose into the threaded area, then connect the main body and T-pipe with water hose.
- Turn on water and check for leaks.

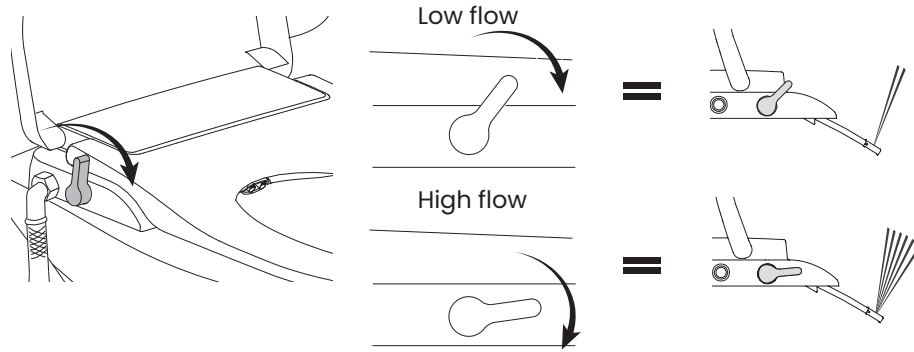


WARNING:

Do not lift the product with the seat cover and seat open. This may cause mechanical trouble.
The water supply cannot be above 104°F or below 32°F.

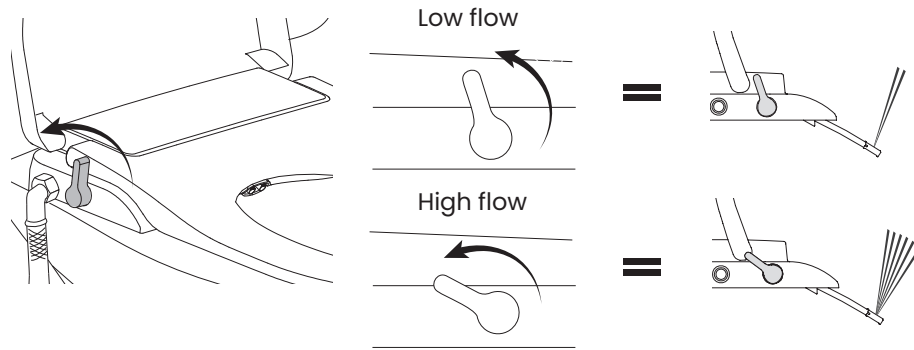
WASH

- Turn the lever clockwise from the vertical position.
- Nozzle for WASH moves forward and will start the function.
- The water volume changes with the turning of the lever.



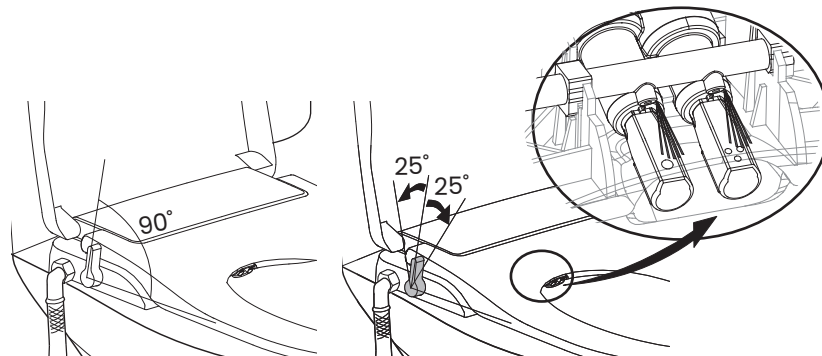
BIDET

- Turn the lever counterclockwise from the vertical position.
- Nozzle for BIDET moves forward and will start the function.
- The water volume changes with the turning of the lever.



OFF & SELF-CLEANING

- Keep the lever at the 90° position when not in use.
- The wand cleans itself after each use. For additional flush clean of the wands, position the lever at 25° for a few seconds and then reposition back to 90°.

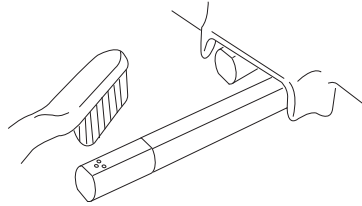


OUTER CLEANING INSTRUCTIONS:

- Use a smooth or cloth with diluted kitchen detergent to clean the product. Do not use the following: hydrogen chloride detergent, paint thinner, benzene, abrasive paper, polishing agent, fragrance or insecticide etc.

CLEANING THE NOZZLE:

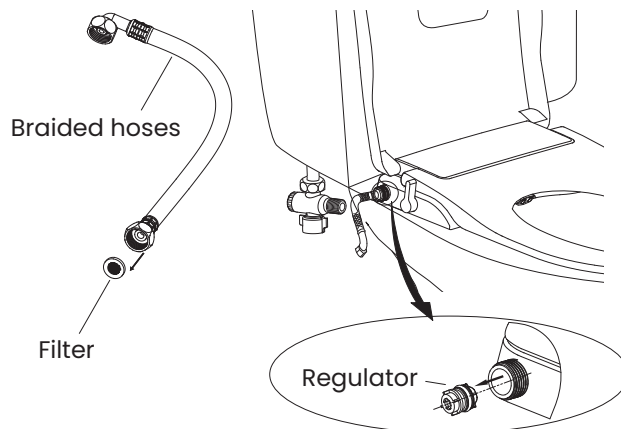
- Pull out the nozzle gently and use a smooth sponge, cloth or toothbrush with kitchen detergent to clean the nozzle.



CLEANING THE FILTER & REGULATOR:

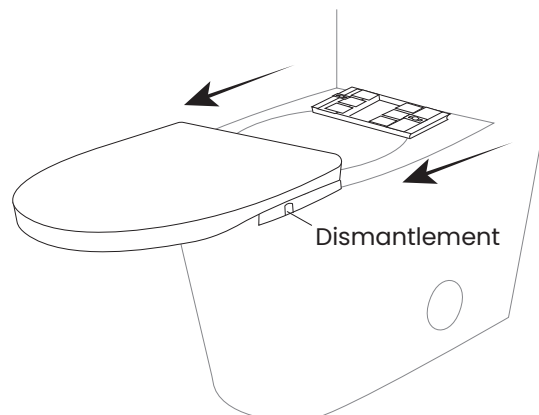
If the water flow is less than usual:

1. Clean the filter for both sides. Make sure to disconnect the water supply hose during cleaning.
2. Clean the regulator o-ring.



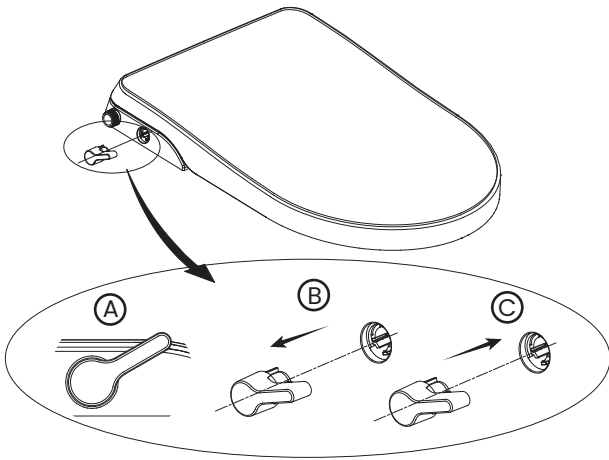
REMOVAL:

- To remove, close the lid, push the dismantlement button and pull out the product according to the arrows shown below.



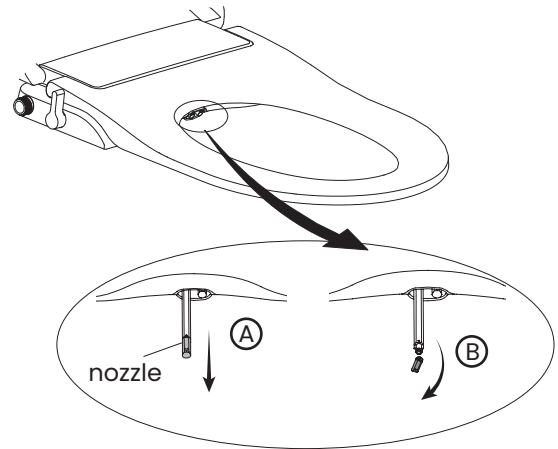
LEVER REPLACEMENT:

- As per figure A, rotate the lever to the highest wash volume. As per figure B, remove the old lever along the axis direction.
- As per figure C, insert the new lever rib into the corresponding control valve slot. The installation is completed with a *click* sound.



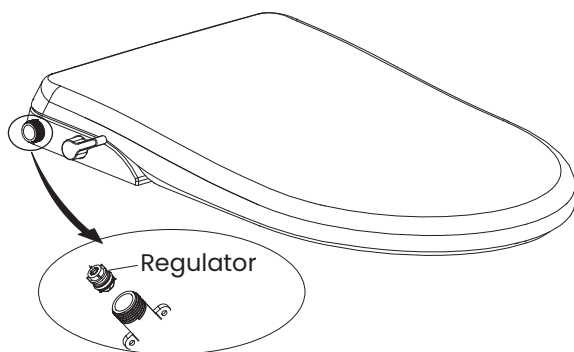
NOZZLE REPLACEMENT:

- As per figure A, pull out the tube and do not release then remove the old nozzle along the axis direction. As per figure B, insert the new nozzle into the tube along the corresponding slot. The nozzle replacement is completed.



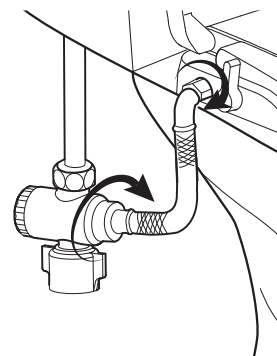
REGULATOR REPLACEMENT:

- Rotate the lever in the working position, remove the regulator from the inlet tube with pliers.
- Press the new regulator into the bottom of the inlet tube. The regulator replacement is completed.
- Rotate the lever back to non-working position.



WATER HOSE LEAKING SOLUTION:

- If water leaks from the two ends of water hose, re-tighten the nuts to avoid water leaking, making a quarter-turn at a time to avoid damaging the fitting.



Status	Cause	Solution
Water is too low during WASH/BIDET	<ol style="list-style-type: none"> 1. Low water pressure of the unit. 2. Low water pressure of the water supply. 	<ol style="list-style-type: none"> 1. During WASH/BIDET, turn the lever fast to the biggest volume. 2. When water supply pressure is lower than 0.07 MPa, contact local department for water pressure question.
No water comes out during WASH/BIDET	<ol style="list-style-type: none"> 1. Water shut-off valve is turned off. 2. Filter net of T-shaped connector is stuck. 3. Filter net of water inlet hose is stuck. 4. Nozzle head is stuck. 5. External water pressure is low. 	<ol style="list-style-type: none"> 1. Turn on the water shut-off valve. 2. Clean the filter net of T-pipe. 3. Clean the filter net of the water inlet hose. 4. Take off and clean the nozzle head. 5. Increase external water pressure.
Water dropping from bowl when using the unit	<ol style="list-style-type: none"> 1. External water pressure is too big. 	<ol style="list-style-type: none"> 1. The maximum water pressure of the unit is 0.8 MPa. If water supply pressure is higher than that, please contact local department for water pressure question.

CAUTION:

Do not disassemble, repair or remodel the unit.

If you have any questions or concerns please contact us:

1-434-623-4766

info@swissmadison.com

ONE YEAR LIMITED WARRANTY

Swiss Madison® products are made with quality materials and excellent craftsmanship to provide our customers with beautiful, durable, long-lasting products. Should there be any defects in materials or craftsmanship under regular use that are discovered within the first year of installation, Swiss Madison® will provide replacement parts at no charge, or at its discretion, replace any product or part of the product that is deemed defective, under normal installation, use, service or maintenance. This warranty applies only to the original purchaser. Proof of purchase will be required in the instance of a claim.

Swiss Madison® recommends all installations of Swiss Madison® products to be conducted by a licensed, professional plumber or contractor. Swiss Madison® will not be held responsible for any damage or product failure due to improper installation, misuse, or failure to utilize a licensed professional for installation. Swiss Madison® is not responsible for any installation or removal costs.

This One Year Limited Warranty Will Be Voided If:


- The installation recommendations were not followed by the installer
- The product has been moved from its initial place of installation
- The product has in any way been modified from its packaged state
- The product has been subjected to improper maintenance, abuse, misuse, excessive use of chemicals, accidents, or other damages, etc.

Swiss Madison® makes no implication that its products comply with any local building or plumbing codes. It is the consumer's responsibility and obligation to determine local code compliance prior to and during installation. This warranty extends only to the original purchaser and first consumer.

Swiss Madison® is not responsible for any special, incidental or consequential damages associated with the installation, replacement, return or use of the original purchaser's product. This includes, but is not limited to: freight costs, labor, travel time, lost profit, home damages and other contingent liabilities and costs (including, without limitation, costs associated with 'professionals' or 'experts', investigations, audits, analyses, attorneys and any other professional/hired services).

The Swiss Madison® warranty is a comprehensive and explicit limit of liability. All items not disclosed within the warranty are not addressable within the responsibility of Swiss Madison®. Certain states have variances regarding implied warranties; in those situations, we remain fully compliant.

**If you have any questions or concerns, please contact us directly at
1-434-MADISON (623-4766)**

 **WARNING:** Contents of your order may contain sharp and possibly other harmful pieces and may cause hazard to children and adults. Swiss Madison® is not responsible in any way for personal damages.