



Extended Warranty
Sign Up

E-1

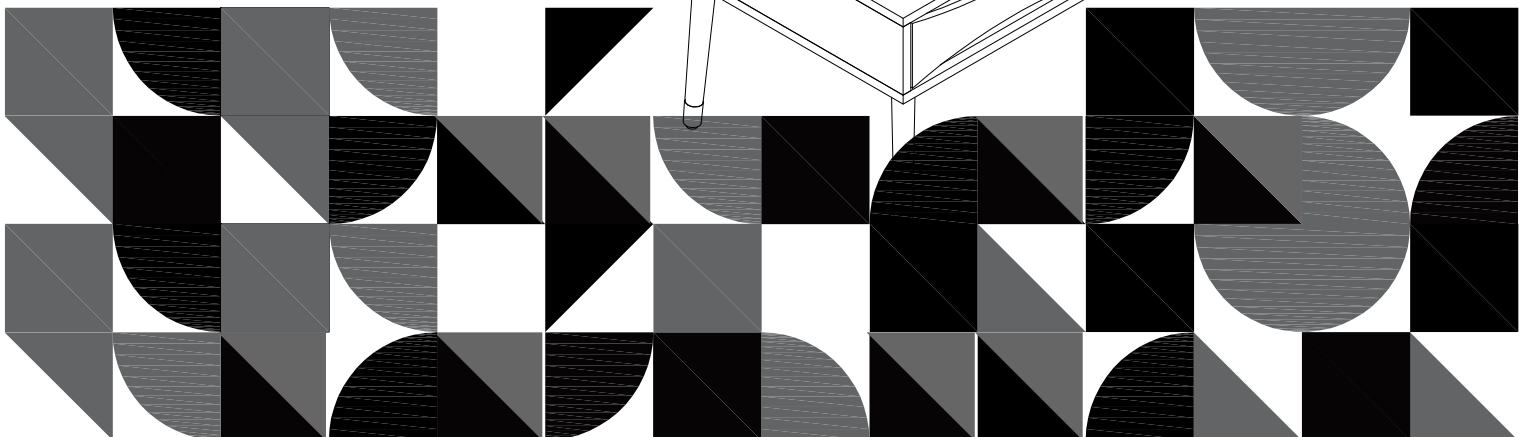
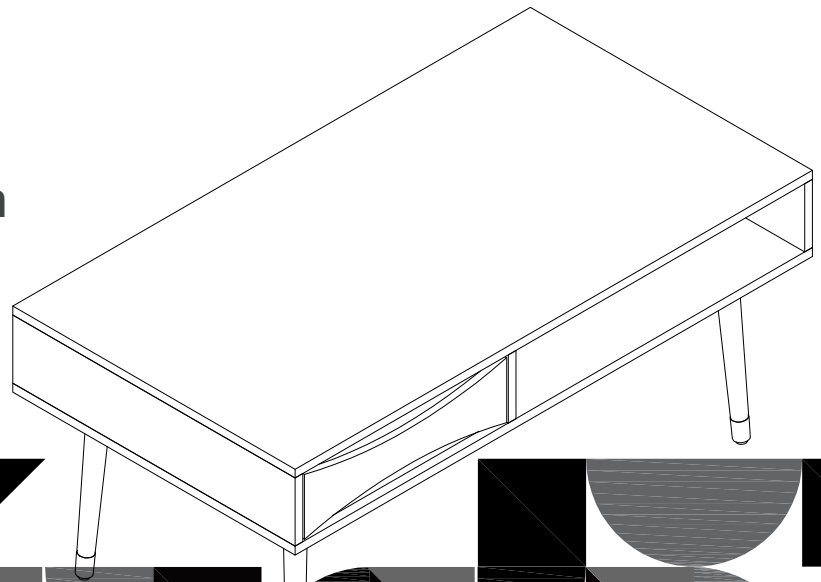
Welcome home!

VNF-00065

TEAMSON HOME

**Versanora-Dawson
Coffee Table**

Walnut



Warranty

All components are warranted by the manufacturer for a period of 30 days after the date of purchase by the original owner against defects in materials & workmanship under normal use. If it is appropriate to replace your product due to specific defects, the manufacturer will replace the purchase with the same product or a comparable product.

For specific instructions on how to obtain warranty service for your product, please contact Customer Service using the contact information provided.

Global Customer Service

USA



✉ support@teamson.com

+1(770) 246-4898

Mon - Fri 10:00am ~ 2:00pm EST

EU/UK



✉ support@teamson.co.uk

+44(0)1952-916-050

Mon - Thu 9:00am ~ 5:00pm GMT

Friday 9:00am ~ 4:00pm GMT

ASIA

深圳办公室:

✉ sales_ec@teamson.com

+86(0755)8885-3558.分机号331

Mon - Sat 9:00am ~ 5:00pm GMT+8

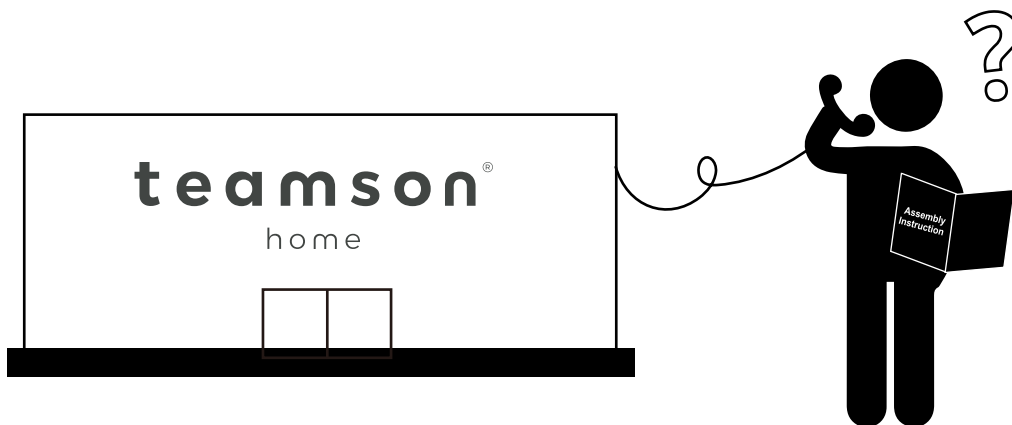
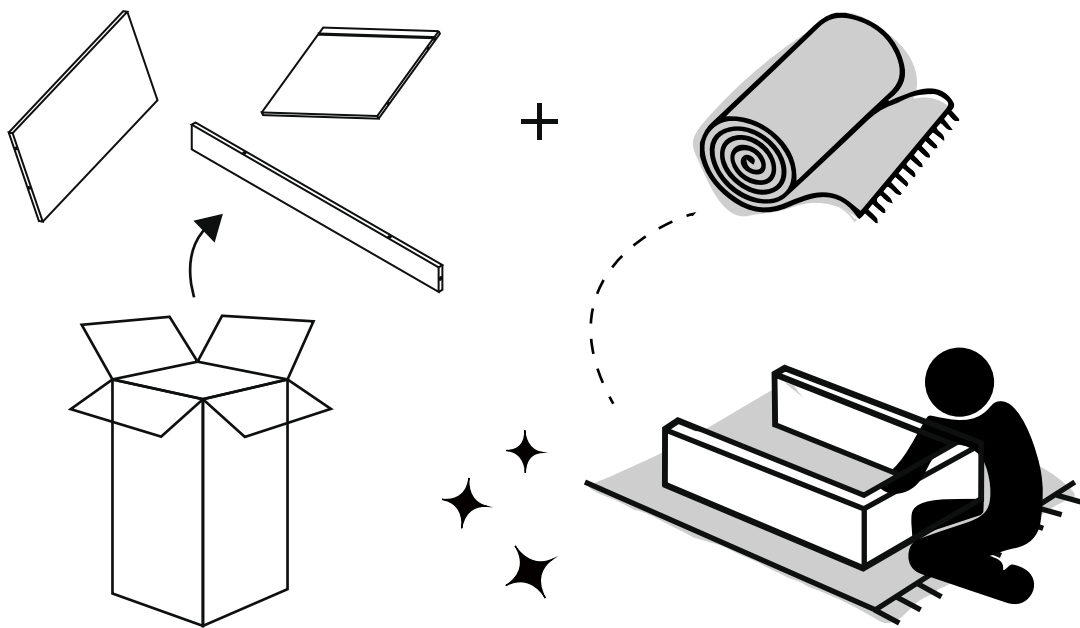
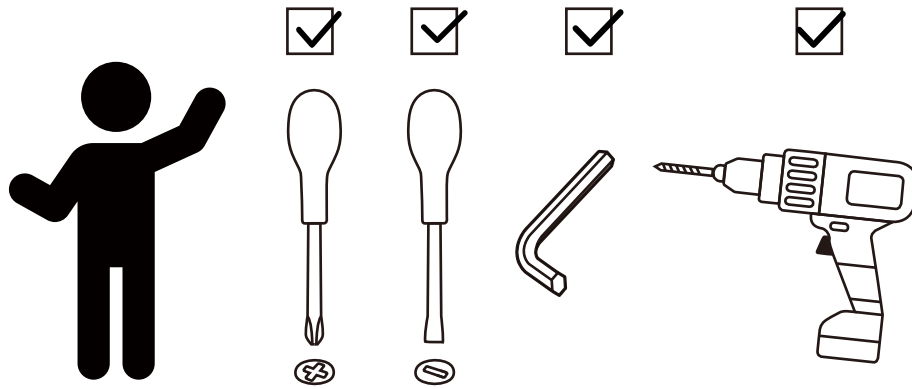
台北办公室:



✉ sales_ec@teamson.com

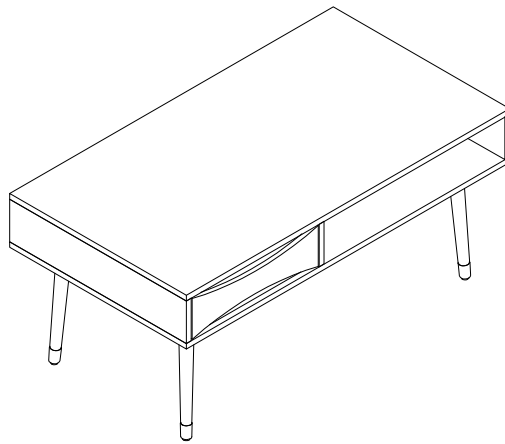
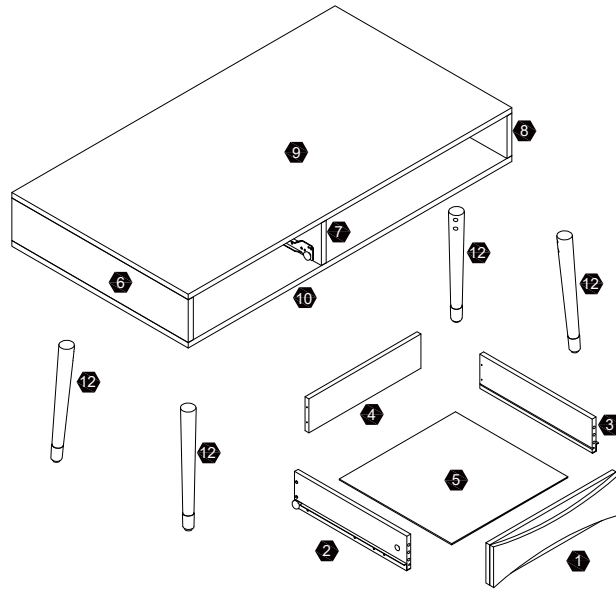
+886(2)2556-6268

Mon - Fri 9:00am ~ 5:00pm GMT+8



** Got questions? Please have your product code (on the first page of this instruction, e.g. TD-12345A) and the order number ready, give us a call or email us through our customer care support! We are always ready to assist you!

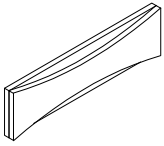
Exploded Drawing



Scan for assembly instructions.

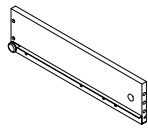
Product Parts

1



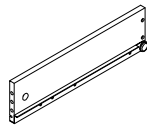
1 PC

2



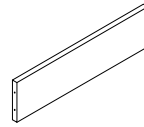
1 PC

3



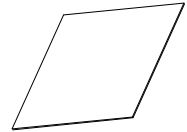
1 PC

4



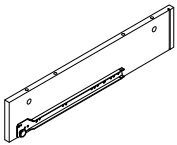
1 PC

5



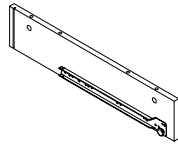
1 PC

6



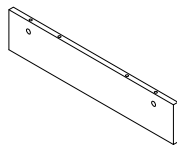
1 PC

7



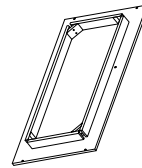
1 PC

8



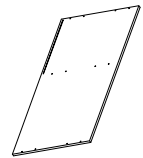
1 PC

9



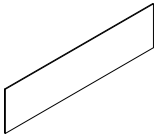
1 PC

10



1 PC

11



1 PC

12



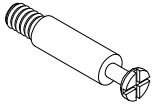
4 PC



Scan for assembly instructions.

Hardware

A



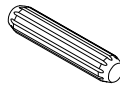
8 PCS

B



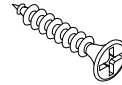
8 PCS

C



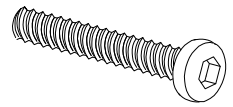
16 PCS

D



4 PCS

E



8 PCS

F



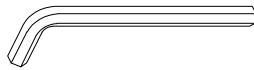
8 PCS

G



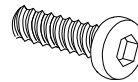
8 PCS

H



1 PC

I



6 PCS

Care Instructions

Dust surface with a dry soft cloth. Do not use window cleaners or cleaning abrasives as they will scratch the surface and could damage the protective coating

WARNING

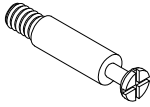
Small parts and sharp edges may be present prior to assembly.



Scan for assembly instructions.

Step 1

A



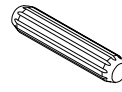
2 PCS

B



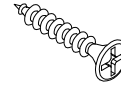
2 PCS

C

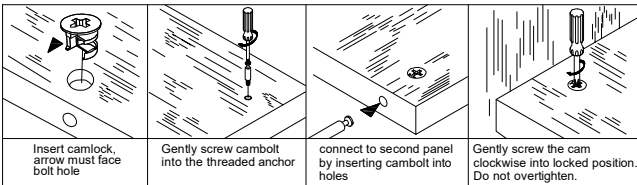
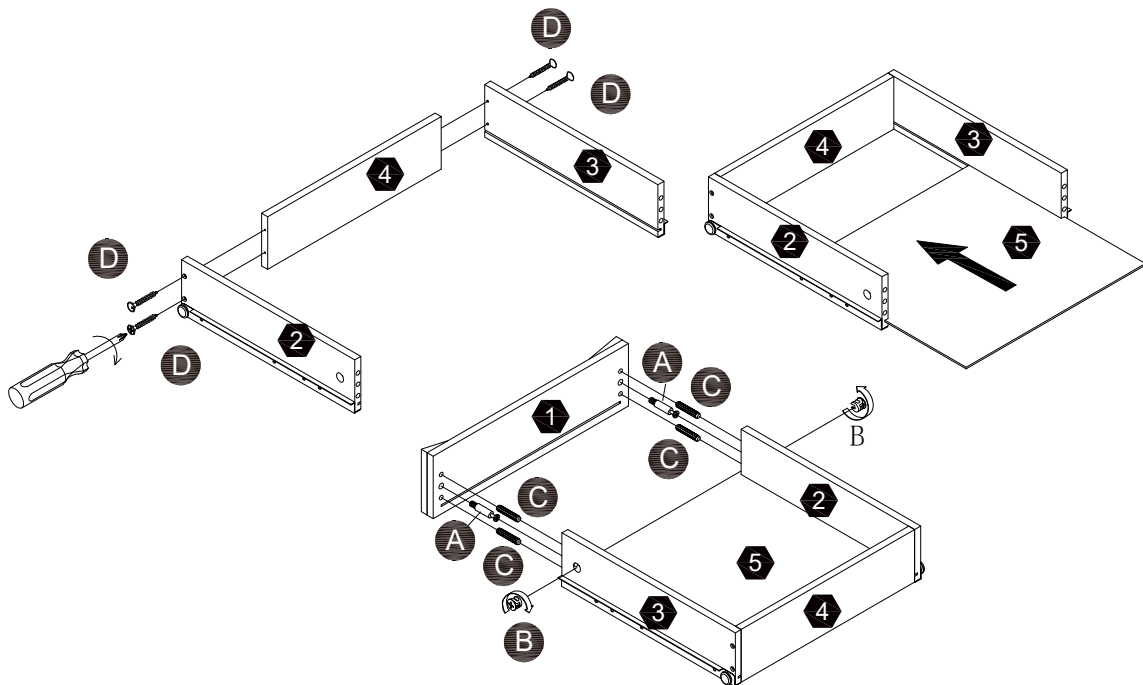


4 PCS

D



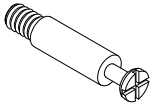
4 PCS



Scan for assembly instructions.

Step 2

A



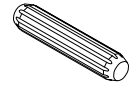
6 PCS

B

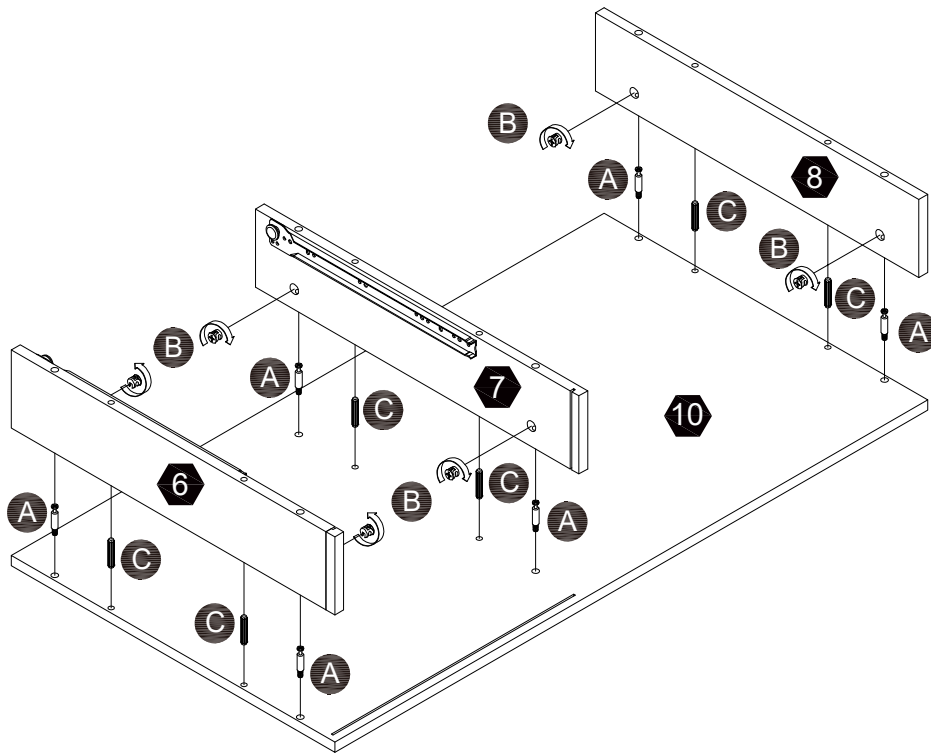


6 PCS

C

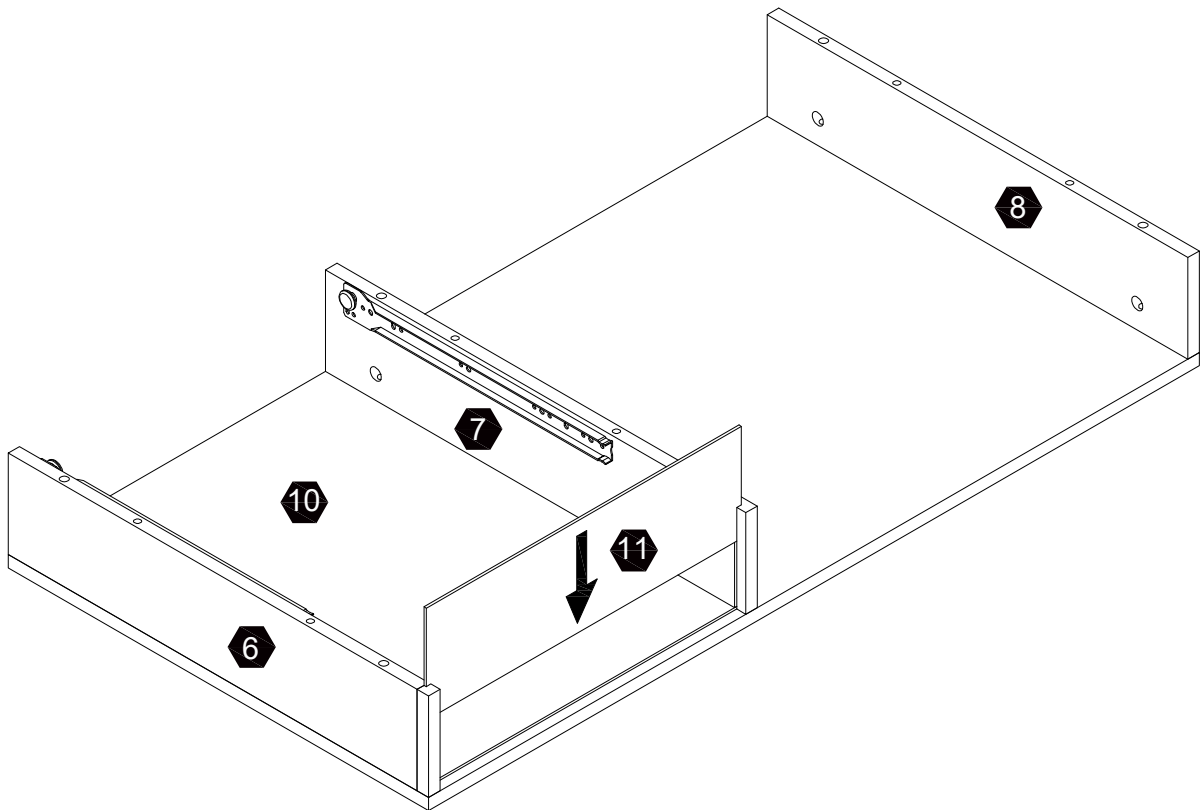


6 PCS



Scan for assembly instructions.

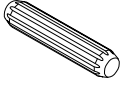
Step 3



Scan for assembly
instructions.

Step 4

C



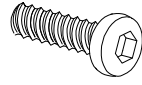
6 PCS

H

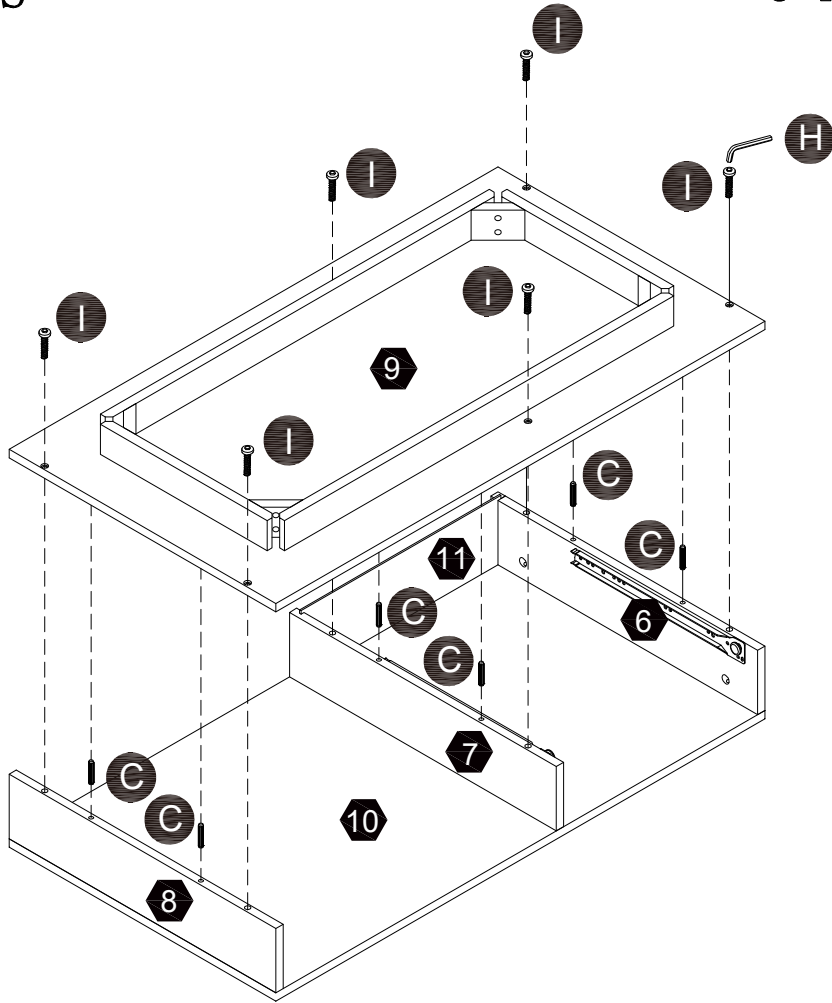


1 PC

I



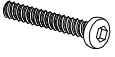
6 PCS



Scan for assembly instructions.

Step 5

E



8 PCS

F



8 PCS

G

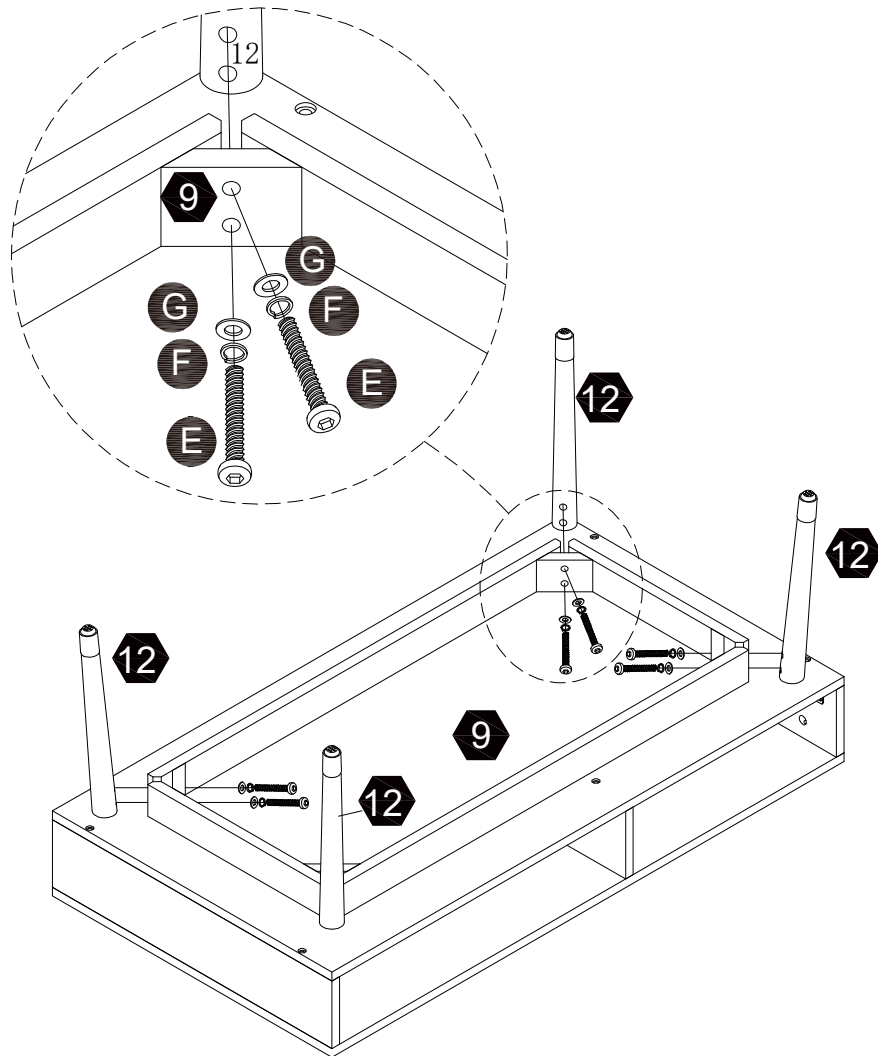


8 PCS

H

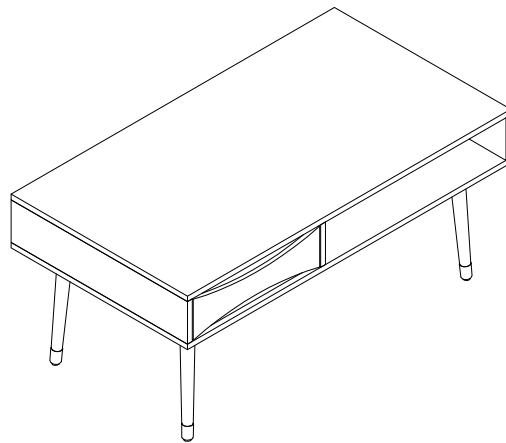
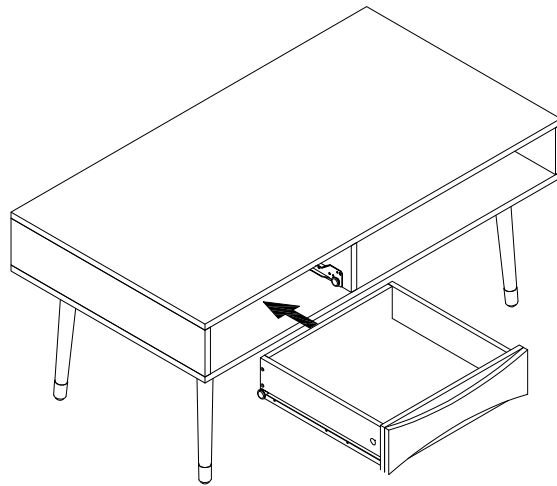


1 PC



Scan for assembly instructions.

Step 6



Scan for assembly instructions.