

“EZ UP” ALIGNMENT HINGE



This swing set features the KidKraft “EZ UP” alignment hinge for quick and easy fort frame assembly in Step 2 - 7.

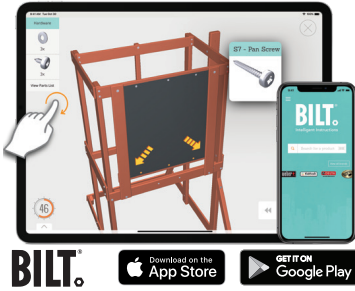
The living hinge is not required for swing set structural integrity.

Complete the swing set build by following the instruction manual steps, guidelines, and all other proper maintenance and care to achieve a safe and quality product.



PORTLAND SWING SET - F29190

Before you begin / Antes de comenzar
Avant de commencer

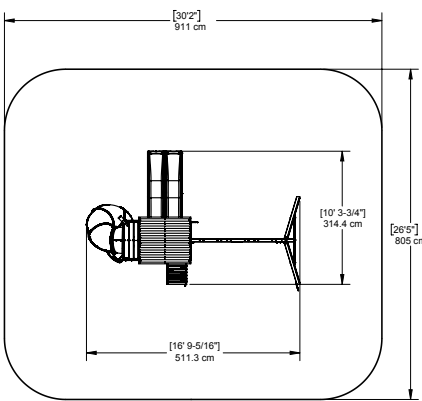


3D-GUIDED INTERACTIVE ASSEMBLY
INSTRUCTIONS CAN BE FOUND IN BILT
DOWNLOAD THE FREE APP

LAS INSTRUCCIONES DE ENSAMBLAJE INTERACTIVO
GUIADAS EN 3D SE PUEDEN ENCONTRAR EN BILT
DESCARGA LA APLICACIÓN GRATUITA

LES INSTRUCTIONS D'ASSEMBLAGE INTERACTIF
GUIDÉES EN 3D PEUVENT ÊTRE TROUVÉES EN BILT
TÉLÉCHARGER L'APPLICATION GRATUITE

INSTALLATION AND OPERATING INSTRUCTIONS



! WARNING

To reduce the risk of serious injury or death, you must read and follow these instructions. Keep and refer to these instructions often and give them to any future owner of this play system. Manufacturer contact information provided below.

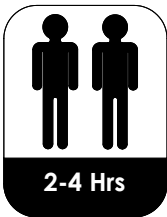
OBSTACLE FREE SAFETY ZONE - 30'2" x 26'5" (9.11m x 8.05m) area requires Protective Surfacing. See page 3.

MAXIMUM VERTICAL FALL HEIGHT - 6'4" (1.93m)

CAPACITY - 9 Users Maximum, Ages 3 to 10; Weight Limit 110 lbs. (49.9 kg) per child.

RESIDENTIAL HOME USE ONLY. Not intended for public areas such as schools, churches, nurseries, day cares or parks.
Warning. Only for domestic use.

TUBE SLIDE



2-4 Hrs

Two person
assembly

FORT



10-14 Hrs

Two person
assembly



FOR OUTDOOR FAMILY DOMESTIC USE ONLY



KidKraft, Inc.
4630 Olin Road
Dallas, Texas 75244 USA
customerservice@kidkraft.com
canadacustomerservice@kidkraft.com
1.800.933.0771
972.385.0100
For online parts replacement visit
<https://parts.kidkraft.com/>

KidKraft Netherlands BV
Olympisch Stadion 8
1076 DE Amsterdam
The Netherlands
europecustomerservice@kidkraft.com
+31 20 305 8620 M-F from 09:00 to 17:30
(GMT+1)
For online parts replacement visit
<https://parts.kidkraft.eu/>

Table of Contents

Warnings and Safe Play Instructions..... pg. 2
Protective Surfacing Guidelines..... pg. 3
Instructions for Proper Maintenance..... pg. 4
About Our Wood – Limited Warranty..... pg. 5-6
Keys to Assembly Success..... pg. 7
Part ID..... pg. 8
Step-By-Step Instructions..... pg. 18

Warnings and Safe Play Instructions



CONTINUOUS ADULT SUPERVISION REQUIRED. Most serious injuries and deaths on playground equipment have occurred while children were unsupervised! Our products are designed to meet mandatory and voluntary safety standards. Complying with all warnings and recommendations in these instructions will reduce the risk of serious or fatal injury to children using this play system. Go over the warnings and safe play instructions regularly with your children and make certain that they understand and follow them. Remember on-site adult supervision is required for children of all ages.



WARNING

SERIOUS HEAD INJURY HAZARD

Installation over concrete, asphalt, dirt, grass, carpet and other hard surface creates a risk of serious injury or death from falls to the ground. Install and maintain shock absorbing material under and around play-set as recommended on page 3 of these instructions.

COLLISION HAZARD

Place play-set on level ground at least 2m from any obstruction such as a garage or house, fences, poles, trees, sidewalks, walls, landscape timbers, rocks, pavement, planters, garden borders, overhanging branches, laundry lines, and electrical wires. (See OBSTACLE FREE SAFETY ZONE on cover).

CHOKING HAZARD/SHARP EDGES & POINTS

Adult assembly required. This product contains small parts and parts with sharp edges and points. Keep parts away from children until fully assembled.

WARNING:

Lawn swings are designed for use by children two years of age and older. The use by children under the age of two can result in entrapment between the seat and back rest because the child's body may pass through the opening, causing entrapment of the child's head. Such entrapment may result in strangulation. NEVER place children in a rearward facing position or with legs between the seat and backrest.

STRANGULATION HAZARD

- NEVER allow children to play with ropes, clotheslines, pet leashes, cables, chains or cord-like items when using this play-set or to attach these items to play-set.
- NEVER allow children to wear loose fitting clothing, ponchos, hoods, scarves, capes, necklaces, items with draw-strings, cords or ties when using this play-set.
- NEVER allow children to wear bike or sport helmets when using this play-set.

Failure to prohibit these items, even helmets with chin straps, increases the risk of serious injury and death to children from entanglement and strangulation.

TIP OVER HAZARD

Choose a level location for the equipment. This can reduce the likelihood of the play set tipping over and loose-fill surfacing materials washing away during heavy rains.

DO NOT allow children to play on the playhouse until the assembly is complete and the unit is properly anchored.

Never add extra length to chain or rope. The chains or ropes provided are the maximum length designed for the swinging element(s).

WARNING LABEL

Owners shall be responsible for maintaining the legibility of the warning labels.



WARNING – Safe Play Instructions

- ✓ Observe capacity limitations of your play-set. See front cover.
- ✓ Dress children with well fitting and full foot enclosing footwear.
- ✓ Teach children to sit with their full weight in the center of the swing seat to prevent erratic swing motion or falling off.
- ✓ Check for splintered, broken or cracked wood; missing, loose, or sharp edged hardware. Replace, tighten and or sand smooth as required prior to playing.
- ✓ Verify that suspended climbing ropes, rope ladders, chain or cable are secured at both ends and cannot be looped back on itself as to create an entanglement hazard.
- ✓ On sunny and or hot days, check the slide and other plastic rides to assure that they are not very hot as to cause burns. Cool hot slide and rides with water and wipe dry prior to using.
- ✓ Orientate slide such that it gets the least amount of exposure to the sun.
- ✗ Do not allow children to wear open toe or heel footwear like sandals, flip-flops or clogs.
- ✗ Do not allow children to walk, in front, between, behind or close to moving rides.
- ✗ Do not let children twist swing chains or ropes or loop them over the top support bar. This may reduce the strength of the chain or rope and cause premature failure.
- ✗ Do not let children get off rides while they are in motion.
- ✗ Do not permit climbing on equipment when it is wet.
- ✗ Do not permit rough play or use of equipment in a manner for which it was not intended. Standing on or jumping from the roof, elevated platforms, swings, climbers, ladders or slide can be dangerous.
- ✗ Do not allow children to swing empty rides or seats.
- ✗ Do not allow children to go down slide head first or run up slide.

⚠ Protective Surfacing - Reducing Risk of Serious Head Injury From Falls

One of the most important things you can do to reduce the likelihood of serious head injuries is to install shock-absorbing protective surfacing under and around your play equipment. The protective surfacing should be applied to a depth that is suitable for the equipment height in accordance with ASTM F1292. There are different types of surfacing to choose from; whichever product you select, follow these guidelines:

Loose-Fill Materials

- Maintain a minimum depth of 9 inches (23 cm) of loose-fill materials such as wood mulch/chips, engineered wood fiber (EWF), or shredded/recycled rubber mulch for equipment up to 8 feet (2.45 m) high; and 9 inches (23 cm) of sand or pea gravel for equipment up to 5 feet (1.5 m) high. NOTE: An initial fill level of 12 inches (31 cm) will compress to about a 9-inch (23 cm) depth of surfacing over time. The surfacing will also compact, displace, and settle, and should be periodically raked and refilled to maintain at least a 9-inch (23 cm) depth.
- Use a minimum of 6 inches (16 cm) of protective surfacing for play equipment less than 4 feet (1.22 m) in height. If maintained properly, this should be adequate. (At depths less than 6 inches (16 cm), the protective material is too easily displaced or compacted.)

NOTE: Do not install home playground equipment over concrete, asphalt, or any other hard surface. A fall onto a hard surface can result in serious injury to the equipment user. Grass and dirt are not considered protective surfacing because wear and environmental factors can reduce their shock absorbing effectiveness. Carpeting and thin mats are not adequate protective surfacing. Ground level equipment -- such as a sandbox, activity wall, playhouse or other equipment that has no elevated play surface -- does not need any protective surfacing.

- Use containment, such as digging out around the perimeter and/or lining the perimeter with landscape edging. Don't forget to account for water drainage.
- Periodically rake, check and maintain the depth of the loose-fill surfacing material. Marking the correct depth on the play equipment support posts will help you to see when the material has settled and needs to be raked and or replenished. Be sure to rake and evenly redistribute the surfacing in heavily used areas.
- Do not install loose fill surfacing over hard surfaces such as concrete or asphalt.

Poured-In-Place Surfaces or Pre-Manufactured Rubber Tiles

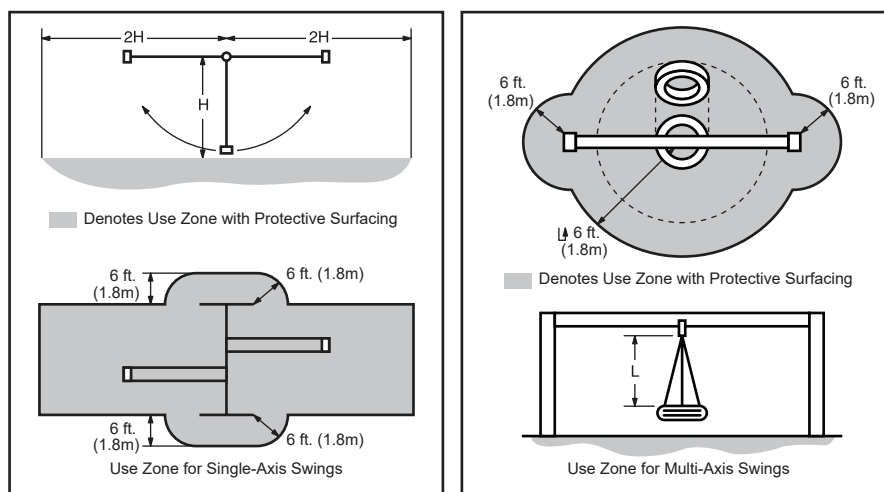
You may be interested in using surfacing other than loose-fill materials - like rubber tiles or poured-in-place surfaces.

- Installations of these surfaces generally require a professional and are not "do-it yourself" projects.
- Review surface specifications before purchasing this type of surfacing. Ask the installer/manufacturer for a report showing that the product has been tested to the following safety standard: ASTM F1292 *Standard Specification for Impact Attenuation of Surfacing Materials within the Use Zone of Playground Equipment*. This report should show the specific height for which the surface is intended to protect against serious head injury. This height should be equal to or greater than the fall height - vertical distance between a designated play surface (*elevated surface for standing, sitting, or climbing*) and the protective surfacing below - of your play equipment.
- Check the protective surfacing frequently for wear.

Placement

Proper placement and maintenance of protective surfacing is essential. Refer to diagram on front cover. Be sure to;

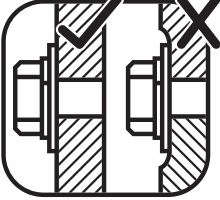
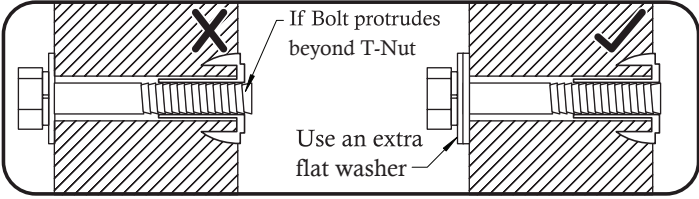
- Extend surfacing at least 6 feet (1.8 m) from the equipment in all directions.
- For to-fro swings, extend protective surfacing in front of and behind the swing to a distance equal to twice the height of the top bar from which the swing is suspended.
- For tire swings, extend surfacing in a circle whose radius is equal to the height of the suspending chain or rope, plus 6 feet (1.8 m) in all directions.



Instructions for Proper Maintenance

Your KidKraft Play System is designed and constructed of quality materials with your child's safety in mind. As with all outdoor products used by children, it will weather and wear. To maximize the enjoyment, safety and life of your Play Set, it is important that you, the owner, properly maintain it.

Check the following at the beginning of the play season:

<p>HARDWARE:</p> <ul style="list-style-type: none"> ✓ Check metal parts for rust. If found, sand and repaint using a non-lead paint complying with 16 CFR 1303. ✓ Inspect and tighten all hardware. On wood assemblies DO NOT OVER-TIGHTEN as to cause crushing and splintering of wood. ✓ Check for sharp edges or protruding screw threads, add washers if required.   <p>SHOCK ABSORBING SURFACING:</p> <ul style="list-style-type: none"> ✓ Check for foreign objects. Rake and check depth of loose fill protective surfacing materials to prevent compaction and maintain appropriate depth. Replace as necessary. (See Protective Surfacing, page 3) 	<p>GROUND STAKES (ANCHORS):</p> <ul style="list-style-type: none"> ✓ Check for looseness, damage or deterioration. Should firmly anchor unit to ground during use. Re-secure and or replace, if necessary. <p>SWING HANGERS:</p> <ul style="list-style-type: none"> ✓ Check that bolts are secure and tight. Quick clips should be completely closed and threaded clips screwed tight. ✓ If squeaking occurs lubricate bushings with oil or WD-40®. <p>SWINGS, ROPES AND RIDES:</p> <ul style="list-style-type: none"> ✓ Reinstall if removed during cold season. Check all moving parts including swing seats, ropes, chains and attachments for wear, rust and other deterioration. Replace as needed. ✓ Check that ropes are tight, secure at both ends and cannot loop back as to create an entrapment. <p>WOOD PARTS:</p> <ul style="list-style-type: none"> ✓ Check all wood members for deterioration, structural damage and splintering. Sand down splinters and replace deteriorated wood members. As with all wood, some checking and small cracks in grain is normal. ✓ Applying a water repellent or stain (water-based) on a yearly basis is important maintenance to maintain maximum life and performance of the product.
----------------------------------------------------------------------------------------------------------------------------------------------------------------------------------------------------------------------------------------------------------------------------------------------------------------------------------------------------------------------------------------------------------------------------------------------------------------------------------------------------------------------------------------------------------------------------------------------------------------------------------------------------------------------------------------------------------------------------------------------------------------------------------------------------------------------------------------------------------------------------------------------------	-------------------------------------------------------------------------------------------------------------------------------------------------------------------------------------------------------------------------------------------------------------------------------------------------------------------------------------------------------------------------------------------------------------------------------------------------------------------------------------------------------------------------------------------------------------------------------------------------------------------------------------------------------------------------------------------------------------------------------------------------------------------------------------------------------------------------------------------------------------------------------------------------------------------------------------------------------------------------------------------------------------------------------------------------------------------------------------------------------------------------------------------------------------------------------------------------------------------------------------------------------------------------------------------------------------------------------------------------------------

Check twice a month during play season:

<p>HARDWARE:</p> <ul style="list-style-type: none"> ✓ Inspect for tightness. Must be firmly against, but not crushing the wood. DO NOT OVER-TIGHTEN. This will cause splintering of wood. ✓ Check for sharp edges or protruding screw threads. Add washers if required. 	<p>SHOCK ABSORBING SURFACING:</p> <ul style="list-style-type: none"> ✓ Rake and check depth of loose fill protective surfacing materials to prevent compaction and maintain appropriate depth. Replace as necessary. (See Protective Surfacing, page 3)
---------------------------------------------------------------------------------------------------------------------------------------------------------------------------------------------------------------------------------------------------------------------------------------------------------------	-------------------------------------------------------------------------------------------------------------------------------------------------------------------------------------------------------------------------------------------------------------------------------

Check once a month during play season:

<p>SWING HANGERS:</p> <ul style="list-style-type: none"> ✓ Check that they are secure and orientated correctly. Hook should rotate freely and perpendicular to support beam. ✓ If squeaking occurs lubricate bushings with oil or WD-40®. 	<p>SWINGS AND RIDES:</p> <ul style="list-style-type: none"> ✓ Check swing seats, all ropes, chains and attachments for fraying, wear, excessive corrosion or damage. Replace if structurally damaged or deteriorated.
--------------------------------------------------------------------------------------------------------------------------------------------------------------------------------------------------------------------------------------------------------------------------	---------------------------------------------------------------------------------------------------------------------------------------------------------------------------------------------------------------------------------------------

Check at the end of the play season:

<p>SWINGS AND RIDES:</p> <ul style="list-style-type: none"> ✓ To prolong their life, remove swings and store inside when outside temperature is below 32°F/0°C. Below freezing, plastic parts may become more brittle. 	<p>SHOCK ABSORBING SURFACING:</p> <ul style="list-style-type: none"> ✓ Rake and check depth of loose fill protective surfacing materials to prevent compaction and maintain appropriate depth. Replace as necessary. (See Protective Surfacing, page 3)
----------------------------------------------------------------------------------------------------------------------------------------------------------------------------------------------------------------------------------------------	-------------------------------------------------------------------------------------------------------------------------------------------------------------------------------------------------------------------------------------------------------------------------------

If you dispose of your play set: Please disassemble and dispose of your unit so that it does not create any unreasonable hazards at the time it is discarded. Be sure to follow your local waste ordinances.

About Our Wood

KidKraft Premium Play Systems uses only premium playset lumber, ensuring the safest product for your children's use. Although we take great care in selecting the best quality lumber available, wood is still a product of nature and susceptible to weathering which can change the appearance of your set.

What causes weathering? Does it affect the strength of my Play System?

One of the main reasons for weathering is the effects of water (moisture); the moisture content of the wood at the surface is different than the interior of the wood. As the climate changes, moisture moves in or out of the wood, causing tension which can result in checking and or warping. You can expect the following due to weathering. These changes will not affect the strength of the product:

1. **Checking** is surface cracks in the wood along the grain. A post 4" x 4" (101mm x 101mm) will experience more checking than a board 1" x 4" (25mm x 101mm) because the surface and interior moisture content will vary more widely than in thinner wood.
2. **Warping** results from any distortion (twisting, cupping) from the original plane of the board and often happens from rapid wetting and drying of the wood.
3. **Fading** happens as a natural change in the wood color as it is exposed to sun-light and will turn a grey over time.

How can I reduce the amount of weathering to my Play System?

At the factory we have coated the wood with a water repellent or stain. This coating decreases the amount of water absorption during rain or snow thus decreasing the tension in the wood. Sunlight will break down the coating, so we recommend applying a water repellent or stain on a yearly basis (see your local stain and paint supplier for a recommended product).

Most weathering is just the normal result of nature and will not affect safe play and enjoyment for your child. However if you are concerned that a part has experienced a severe weathering problem please call our consumer relations department for further assistance.

Complete and mail registration card to receive important product notifications and assure prompt warranty service.

KidKraft Limited Warranty

MISSING OR DAMAGED PARTS:

KidKraft will replace any parts within 90 days from date of purchase found to be missing from or damaged in the original packaging. See Fig. 1

Fig. 1	<u>Product Age (All Parts)</u> 0-90 Days from date of purchase	<u>Consumer Pays</u> \$0 for Part + Free Shipping
--------	-------------------------------------------------------------------	------------------------------------------------------

DEFECTS IN MATERIAL AND WORKMANSHIP:

KidKraft warrants that this product is free from defects in materials and workmanship for a period of one (1) year from the original date of purchase (dated sales receipt and/or product registration is required). This one (1) year warranty covers all parts including wood, hardware, and all accessories (Such as swings, rides, and slides). See Fig. 2

Fig. 2	<u>Product Age (All Parts)</u> 91 Days to 1 Year	<u>Consumer Pays</u> \$0 for Part + Free Shipping
--------	-----------------------------------------------------	------------------------------------------------------

WOOD ROT, DECAY, AND INSECT DAMAGE:

All wood carries a five (5) year warranty against rot, decay, and insect damage (dated sales receipt and/or product registration is required). Refer to the schedule below for charges associated with replacement of wood parts under this **Limited Warranty**. See Fig. 3

Fig. 3	<u>Product Age (Wood Parts)</u> 0 Days to 1 Year After 1 Year to 5 Year Over 5 Years	<u>Consumer Pays</u> \$0 for Part + Free Shipping \$0 for Part + Shipping & Handling 100% for Part (if available) + Shipping & Handling
--------	-----------------------------------------------------------------------------------------------	--------------------------------------------------------------------------------------------------------------------------------------------------

This warranty applies to the original owner and registrant and is non-transferable. Regular maintenance is required to ensure the integrity of this product. Failure by the owner to maintain the product according to the maintenance requirements may void this warranty.

This Limited Warranty does NOT cover:

- Any inspection cost
- Labor and/or costs for replacement of any defective item(s), including but not limited to, professional installer costs
- Incidental or consequential damages, including but not limited to, as a result of set relocation, move and/or reinstall
- Cosmetic defects which do not affect performance or integrity of a part or the entire product
- Vandalism, improper use or installation, or acts of nature, including but not limited to, high winds, fire, and flood
- Minor twisting, warping, checking, or any natural occurring properties of wood that do not affect performance or integrity.
- Any KidKraft product purchased, including but not limited to, a non-approved retailer, auction houses, second-hand, and as-is clearance items.

KidKraft products have been designed for safety and quality. Modifications made to the original product may damage the structural integrity of the unit leading to failure and possible injury. KidKraft cannot assume any responsibility for the modified products. Furthermore, modifications void all warranties.

This product is warranted for **RESIDENTIAL USE ONLY**. Under no circumstance should a KidKraft product be used in public settings such as schools, churches, playgrounds, parks, home and professional day cares and the like. Such use may lead to product failure and potential injury. Public use will void this warranty. KidKraft disclaims all other representations and warranties of any kind, express or implied.

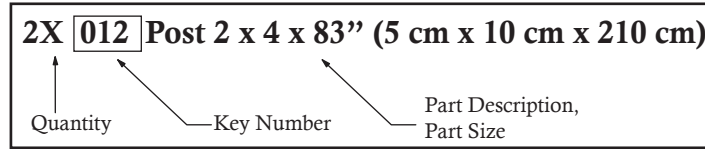
Keys to Assembly Success

Tools Required

<ul style="list-style-type: none"> • Tape Measure • Carpenters Level • Carpenters Square • Claw Hammer • Standard or Cordless Drill • Rubber Mallet 	<ul style="list-style-type: none"> • #1 Phillips, #2 Robertson and Screwdriver • Ratchet with extension 1/2" (13mm) & 9/16" (14 mm) sockets 	<ul style="list-style-type: none"> • Open End Wrench 1/2" (13mm) & 9/16" (14 mm) • Adjustable Wrench • 1/8" (3mm) & 3/16" (5mm) Drill Bits 	<ul style="list-style-type: none"> • 3/16" (5mm) Hex Key • 8' (2.4m) Step Ladder • Safety Glasses • Adult Helpers • Pencil
-----------------------------------------------------------------------------------------------------------------------------------------------------------------------------------------------------------------	-------------------------------------------------------------------------------------------------------------------------------------------------------------------------	-------------------------------------------------------------------------------------------------------------------------------------------------------------------------------------	-------------------------------------------------------------------------------------------------------------------------------------------------------------------------------

Part Identification Key

On each page, you will find the parts and quantities required to complete the assembly step illustrated on that page. Here is a sample.



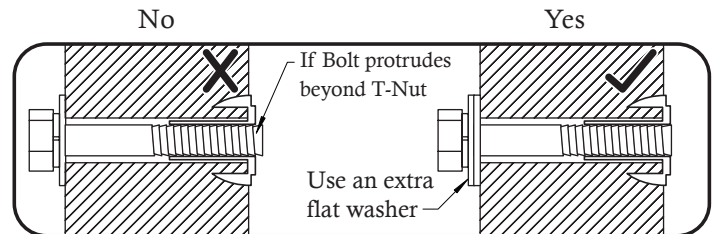
Symbols

Throughout these instructions symbols are provided as important reminders for proper and safe assembly.

<p>This identifies information that requires special attention. Improper assembly could lead to an unsafe or dangerous condition.</p>	<p>Check that set or assembly is properly level before proceeding.</p> <p>Use Level</p>
<p>Use Help</p> <p>Where this is shown, 2 or 3 people are required to safely complete the step. To avoid injury or damage to the assembly make sure to get help!</p>	<p>Pre-drill 1/8" (3mm) & 3/16" (5mm) Bit</p> <p>Pre-drill a pilot hole before fastening screw or lag to prevent splitting of wood.</p>
<p>Measure Distance</p> <p>Use a measuring tape to assure proper location.</p>	<p>Tighten Bolts</p> <p>This indicates time to tighten bolts, but not too tight! Do not crush the wood. This may create splinters and cause structural damage.</p>
<p>Check that assembly is square before tightening bolts.</p> <p>Square Assembly</p>	

CAUTION – Protrusion Hazard

Once the assembly is tightened, watch for exposed threads. If a thread protrudes from the T-Nut, remove the bolt and add washers to eliminate this condition. Extra washers have been provided for this purpose.

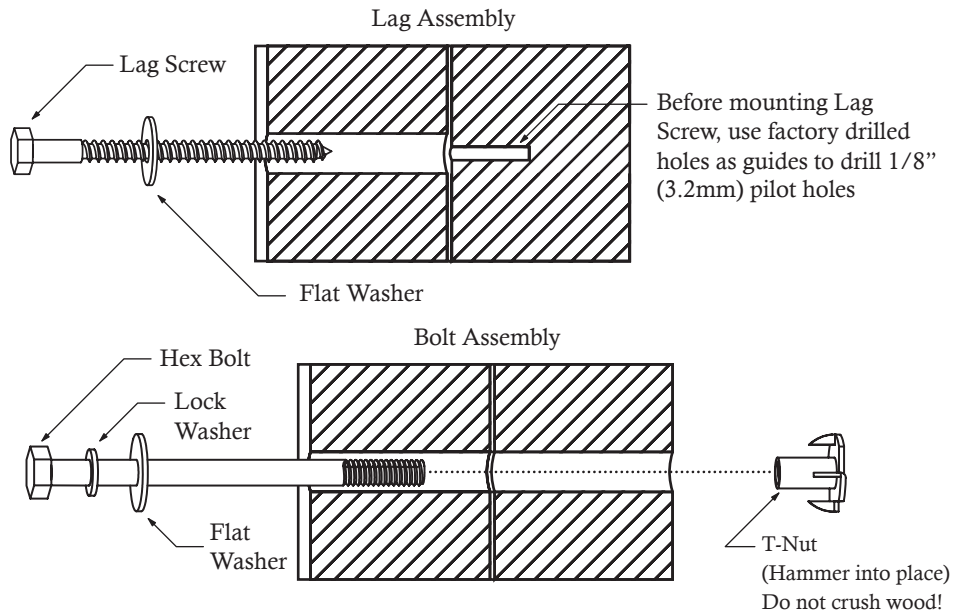


Proper Hardware Assembly

Lag screws require drilling pilot holes to avoid splitting wood. Only a flat washer is required. For ease of installation liquid soap can be used on all lag-type screws.

For bolts, tap T-Nut into hole with hammer. Insert the hex bolt through lock washer first then flat washer then hole. Because the assemblies need to be squared do not completely tighten until instructed. Pay close attention to diameter of the bolts. 5/16" (8mm) is slightly larger than 1/4" (6.4mm).

Note: Wafer head bolts with blue lock tight or a bolt with a Ny-Lok nut do NOT require a lock washer.



Part Identification (Reduced Part Size) - BOX 1

1x - 9686] - 31.8 x 76.2 x 1251.0mm - 3839686



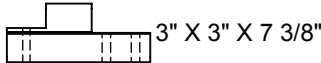
1x - 9687] - 31.8 x 63.5 x 660.4mm - 3839687



1x - 9688] - 25.4 x 76.2 x 635 mm - 3839688



4x - 9689] - 76.2 x 76.2 x 186.6 mm - 3839689



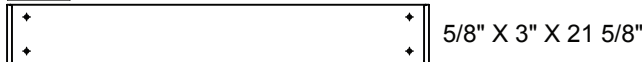
1x - 9691] - 31.8 x 63.5 x 1219.2 mm - 3839691



2x - 9696] - 31.8 x 76.2 x 914.4 mm - 3839696



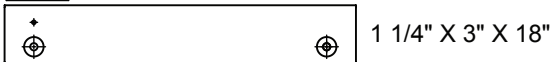
8x - 9697] - 15.9 x 76.2 x 549 mm - 3839697



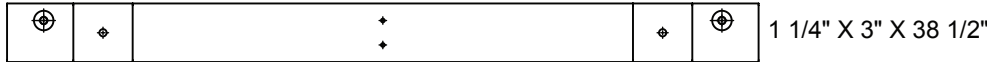
1x - 9699] - 31.8 x 76.2 x 457.2 mm - 3589699



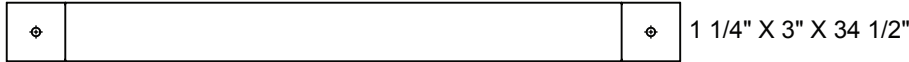
2x - 9746] - 31.8 x 76.2 x 457.2 mm - 3589746



2x - 9701] - 31.8 x 76.2 x 977.9 mm - 3589701



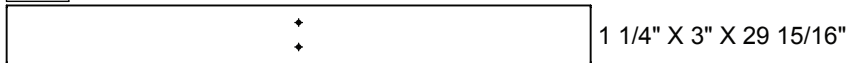
2x - 9702] - 31.8 x 76.2 x 876.3 mm - 3589702



4x - 9703] - 15.9 x 76.2 x 715.1 mm - 3589703



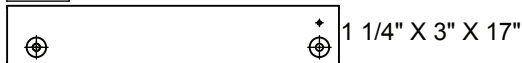
1x - 9704] - 31.8 x 76.2 x 759.9 mm - 3589704



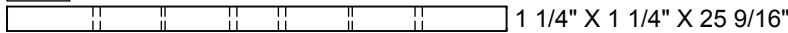
1x - 9705] - 31.8 x 63.5 x 424.4 mm - 3589705



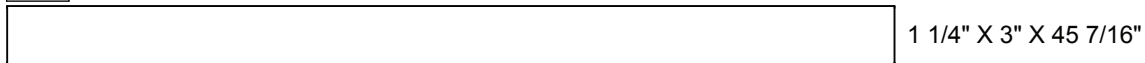
1x - 9709] - 31.8 x 76.2 x 431.8 mm - 3589709



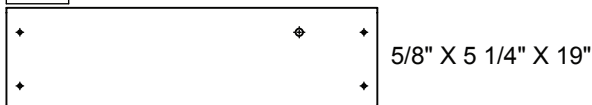
1x - 9710] - 31.8 x 31.8 x 650 mm - 3589710



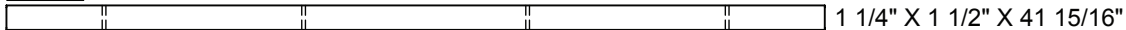
1x - 9715] - 31.8 x 76.2 x 1154.6 mm - 3839715



5x - 9717] - 15.9 x 133.4 x 482.6 mm - 3589717



1x - 10140] - 31.8 x 38.1 x 1065 mm - 38310140



Part Identification (Reduced Part Size) - BOX 1

2x - **9718** - 15.9 x 133.4 x 482.6mm - 3589718



2x - **9720** - 50.8 x 76.2 x 2063.9mm - 3839720



1x - **8965** - 31.8 x 76.2 x 514.4 mm - 3838965



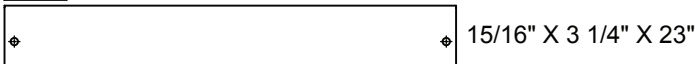
1x - **9722** - 31.8 x 76.2 x 857.3 mm - 3839722



1x - **9723** - 23.8 x 82.6 x 905.7 mm - 3589723



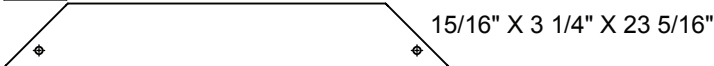
2x - **9724** - 23.8 x 82.6 x 584.8 mm - 3589724



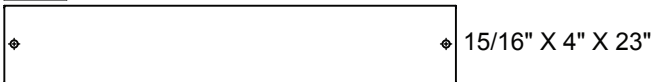
1x - **9725** - 23.8 x 82.6 x 761.2 mm - 3589725



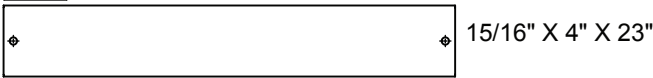
1x - **9726** - 23.8 x 82.6 x 592.3 mm - 3589726



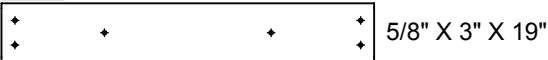
2x - **9729** - 23.8 x 101.6 x 584.8 mm - 3589729



1x - **9730** - 23.8 x 101.6 x 584.8 mm - 3589730

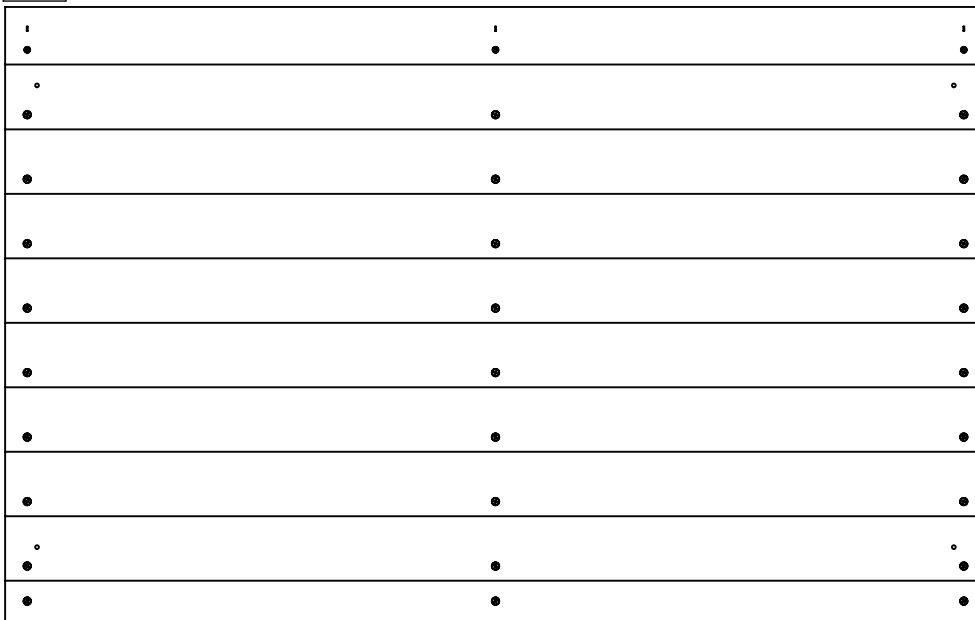


1x - **9719** - 15.9 x 76.2 x 482.6 mm - 3589719



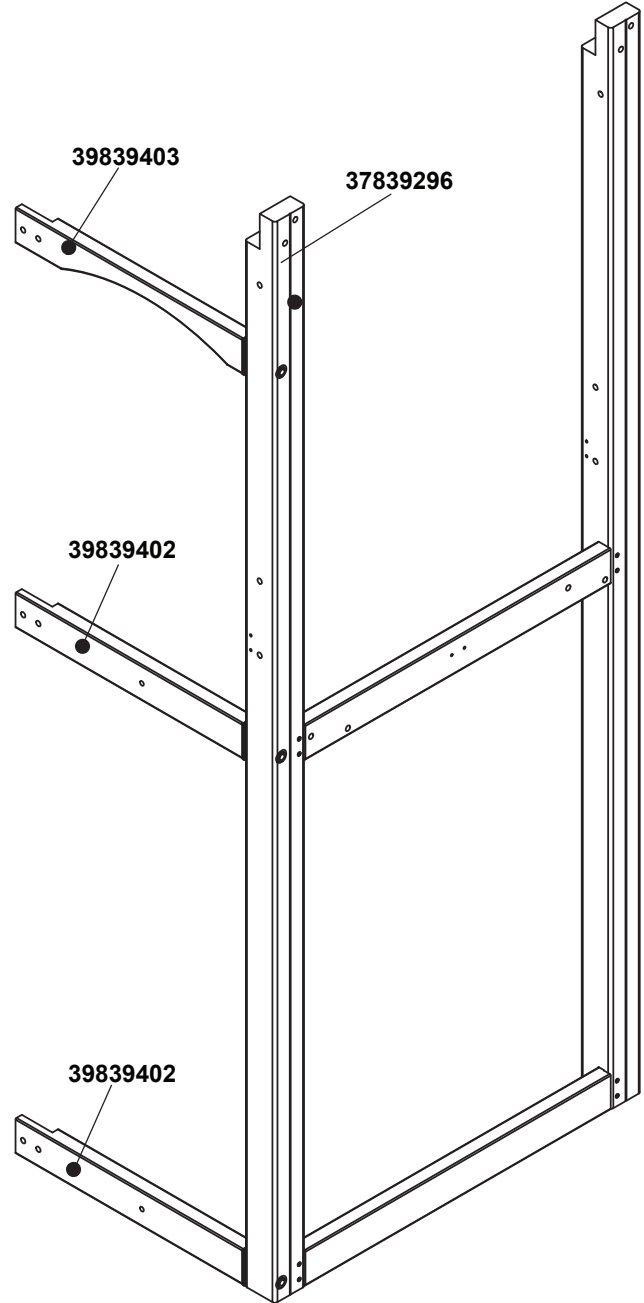
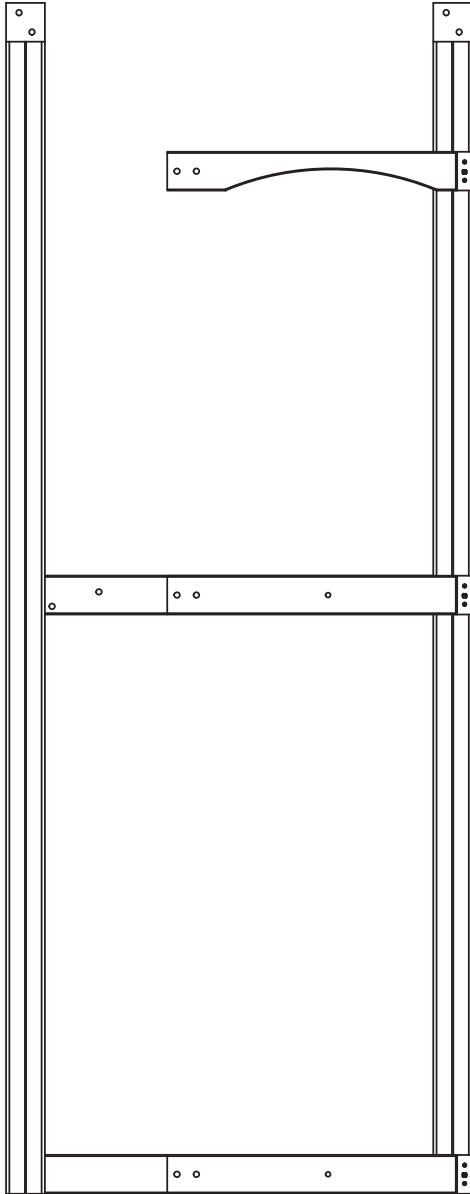
1x - **9292** - 28.6 x 1270 x 801.7 - 37589292

1 1/8" X 50" X 31 9/16"



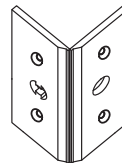
Part Identification (Reduced Part Size) - BOX 1

1x - **9297** - 108 x 914 x 2336.6mm - 37839297
 4-1/4" X 36" X 92"



If you need to order parts, please order below part #

- 37839296 - Open Panel - 1pc
- 39839402 - Swing Arm -1pc
- 39839403 - Export top -1pc
- 9327884 - Hinge - 1pc
- (S0) - 52933505 - Truss Screw #8 x 7/8" - 1pc
- (LS3) - 52213230 - Lag Screw 1/4 x 3 Yellow Zinc - 1pc
- (FW1) - 51103200 - Washer Flat 1/4" - 1pc



9327884



(LS3) - 52213230



(FW1) - 51103200



(S0) - 52933505

Part Identification (Reduced Part Size) - BOX 2

2x - [9700] - 31.8 x 76.2 x 876.3 mm - 3589700



1x - [9706] - 15.9 x 114.3 x 977.9 mm - 3589706



2x - [9707] - 15.9 x 114.3 x 977.9 mm - 3589707



1x - [9708] - 15.9 x 109 x 977.9 mm - 3589708



3x - [9711] - 15.9 x 76.2 x 914.4 mm - 3589711



2x - [9712] - 31.8 x 50.8 x 1079.5 mm - 3839712



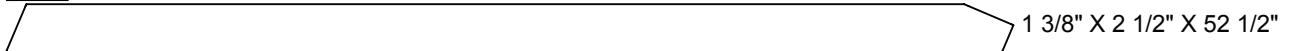
4x - [9713] - 31.8 x 50.8 x 691.1 mm - 3839713



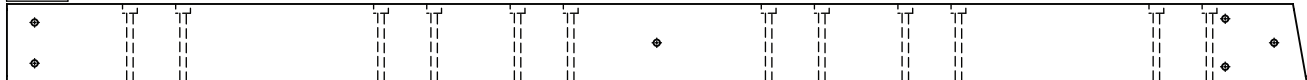
1x - [9714] - 31.8 x 133.4 x 914.4 mm - 3839714



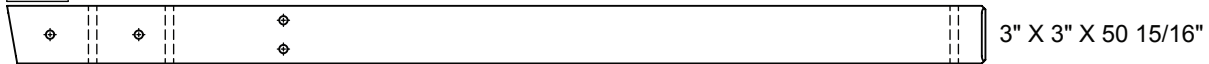
2x - [9716] - 34.9 x 63.5 x 1332.8 mm - 3589716



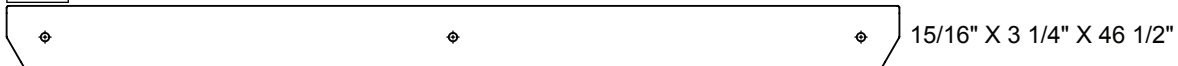
1x - [2614] - 76.2 x 133.4 x 2235.2 mm - 3832614



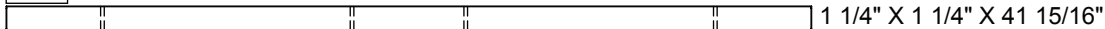
1x - [2615] - 76.2 x 76.2 x 1294.3 mm - 3832615



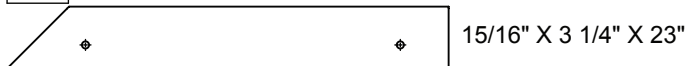
1x - [2616] - 23.8 x 82.6 x 1181.1 mm - 3832616



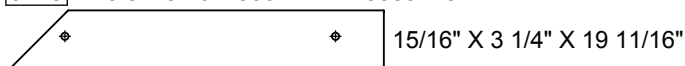
1x - [9721] - 31.8 x 31.8 x 1064.8 mm - 3839721



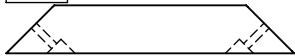
2x - [9727] - 23.8 x 82.6 x 584.8 mm - 3589727

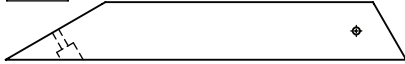


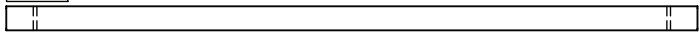
2x - [9728] - 23.8 x 82.6 x 500.2 mm - 3589728

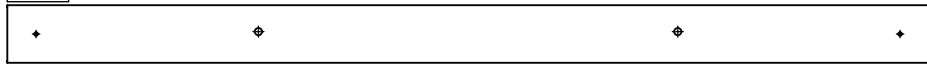


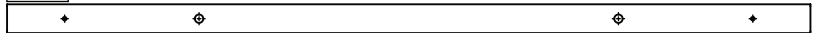
Part Identification (Reduced Part Size) - BOX 2


8x - [9731] - 31.8 x 63.5 x 381 mm - 3839731
 1 1/4" X 2 1/2" X 15"


2x - [9732] - 31.8 x 76.2 x 530 mm - 3839732
 1 1/4" X 3" X 20 7/8"

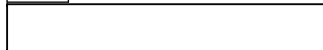
1x - [9735] - 31.8 x 31.8 x 914.4 mm - 3839735
 1 1/4" X 1 1/4" X 36"

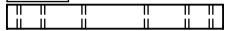
2x - [9685] - 31.8 x 76.2 x 1219.2 mm - 3839685
 1 1/4" X 3" X 48"

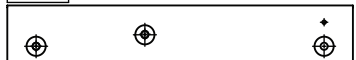
2x - [9690] - 38.1 x 38.1 x 1062.8 mm - 3839690
 1 1/2" X 1 1/2" X 41 13/16"

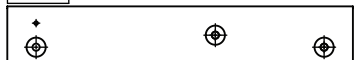
8x - [9692] - 15.9 x 114.3 x 880.6 mm - 3589692
 5/8" X 4 1/2" X 34 11/16"

2x - [9693] - 15.9 x 114.3 x 880.6 mm - 3589693
 5/8" X 4 1/2" X 34 11/16"

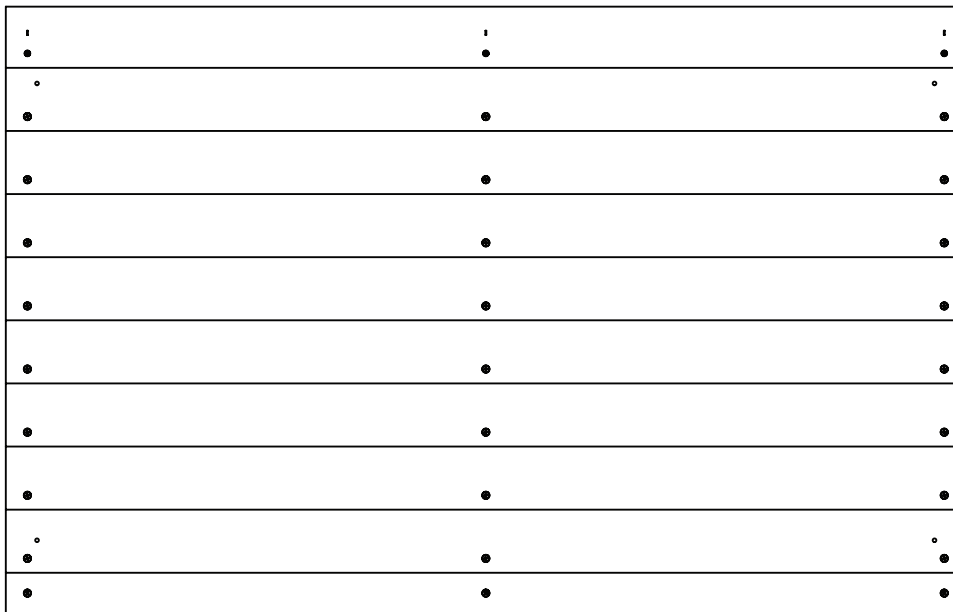
4x - [9694] - 31.8 x 63.5 x 421 mm - 3839694
 1 1/4" X 2 1/2" X 16 9/16"

4x - [9695] - 31.8 x 31.8 x 285.9 mm - 3839695
 1 1/4" X 1 1/4" X 11 1/4"

1x - [9698] - 31.8 x 76.2 x 457.2 mm - 3589698
 1 1/4" X 3" X 18"

1x - [9745] - 31.8 x 76.2 x 457.2 mm - 3589745
 1 1/4" X 3" X 18"

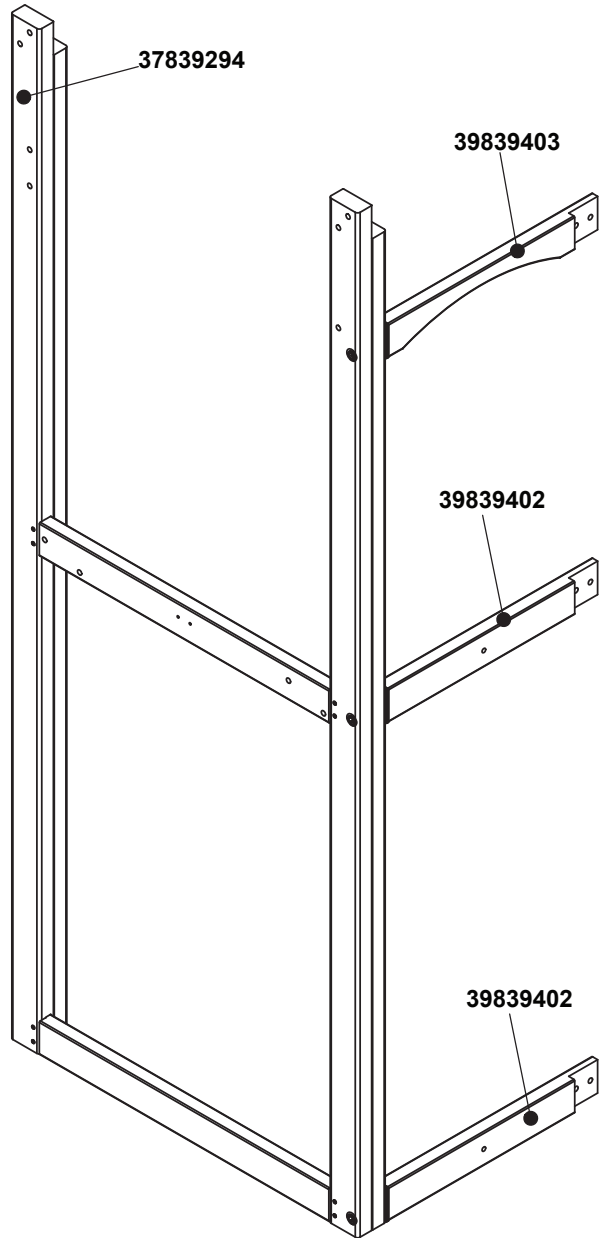
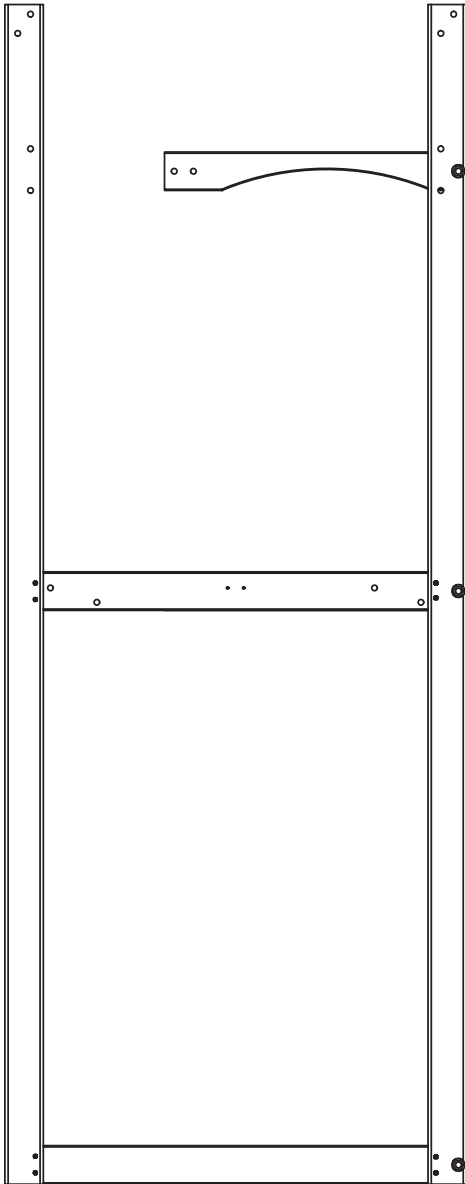
1x - [9293] - 28.6 x 1270 x 807.5 mm - 37589293 1 1/8" X 50" X 31 13/16"



Part Identification (Reduced Part Size) - BOX 2

1x - 9295 - 108 x 914 x 2336.6 - 37839295

4 1/4" X 36" X 92"



If you need to order parts, please order below part #

37839294 - SW Panel - 1pc

39839402 - Swing Arm -1pc

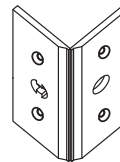
39839403 - Export top -1pc

9327884 - Hinge - 1pc

(S0) - 52933505 - Truss Screw #8 x 7/8" - 1pc

(LS3) - 52213230 - Lag Screw 1/4 x 3 Yellow Zinc - 1pc

(FW1) - 51103200 - Washer Flat 1/4" - 1pc



9327884



(LS3) - 52213230



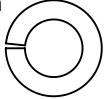
(FW1) - 51103200



(S0) - 52933505

Hardware Identification (Actual Size)

36x - **LW2** - 5/16" - (51303300)
7.9mm



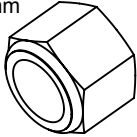
24x - **LW1** - 1/4" - (51303200)
6.4mm



60x - **LN1** - 1/4" - (54303200)
6.4mm



23x - **LN2** - 5/16" - (54303390)
7.9mm



63x - **S0** - #8 x 7/8" - (52933505)
22.2mm



4x - **S18** - #6 x 1" - (52013910)
25.4mm



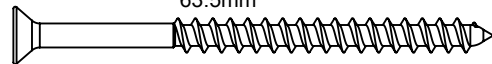
170x - **S20** - #8 x 1-3/8" - (52043516)
34.9mm



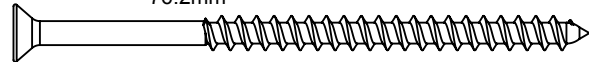
12x - **S11** - #8 x 2" - (52043520)
50.8mm



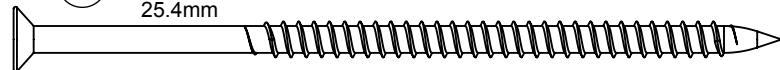
30x - **S3** - #8 x 2-1/2" - (52043522)
63.5mm



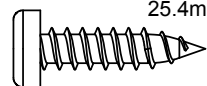
40x - **S4** - #8 x 3" - (52043530)
76.2mm



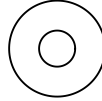
4x - **S24** - #10 x 4" - (52043940)
25.4mm



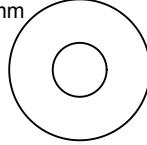
17x - **S6** - #12 x 1" - (52433610)
25.4mm



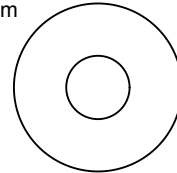
5x - **FW0** - 3/16" - (51103100)
4.8mm



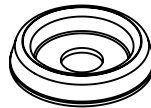
39x - **FW1** - 1/4" - (51103200)
6.4mm



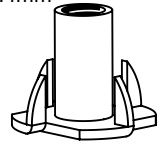
119x - **FW2** - 5/16" - (51103300)
7.9mm



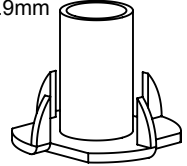
8x - **FW6** - #12 - (9299500)



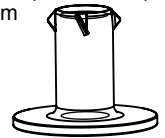
34x - **TN1** - 1/4" - (54503200)
6.4mm



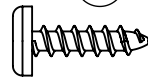
42x - **TN2** - 5/16" - (54503300)
7.9mm



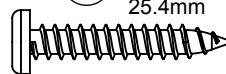
5x - **BN1** - 1/4" - (54803200)
6.4mm



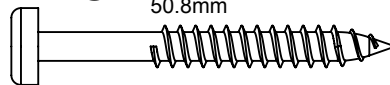
40x - **S37** - #7 x 5/8" - (52433009)
15.8mm



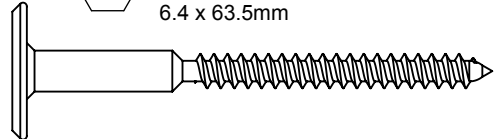
5x - **S10** - #8 x 1" - (52433510)
25.4mm



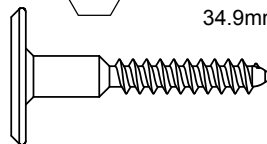
58x - **S7** - #12 x 2" - (52433620)
50.8mm



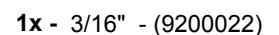
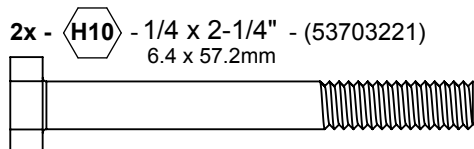
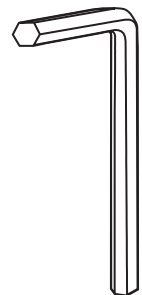
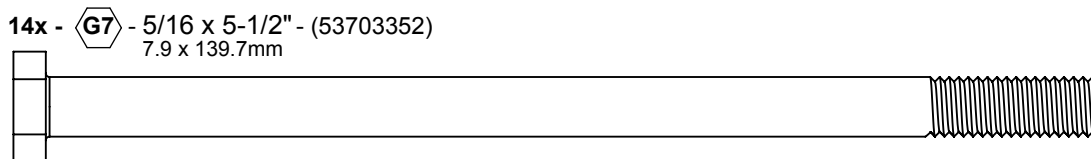
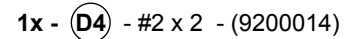
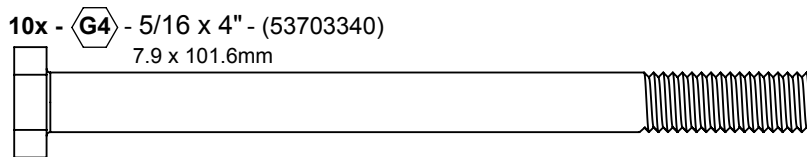
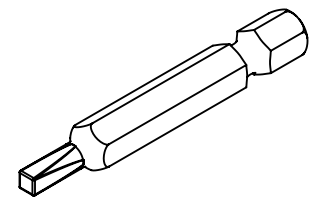
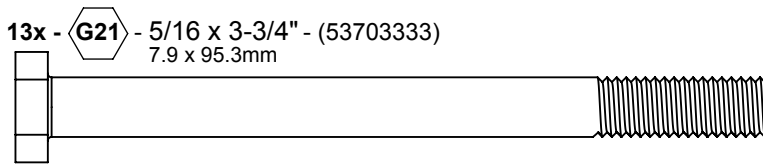
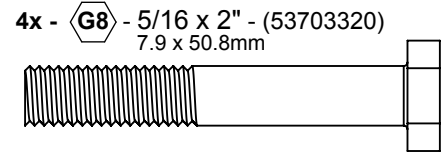
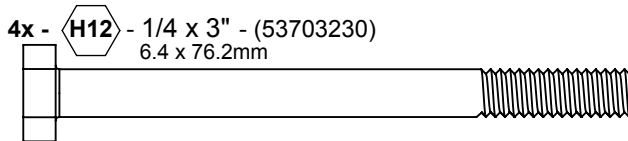
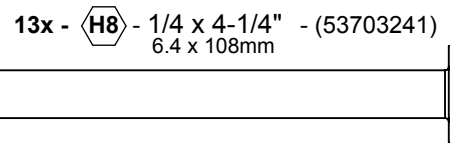
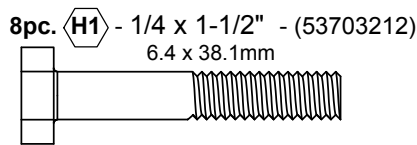
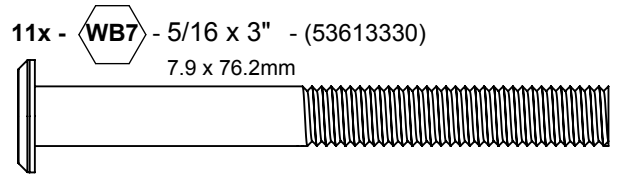
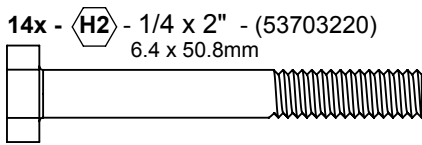
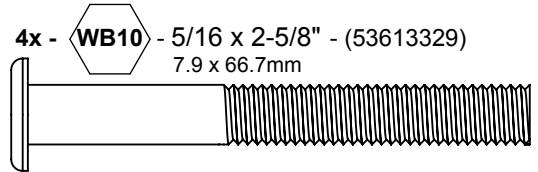
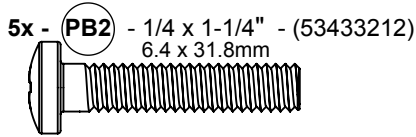
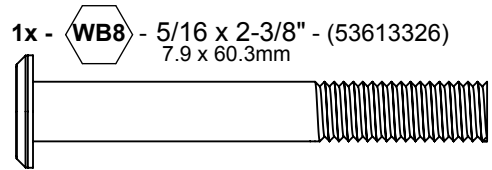
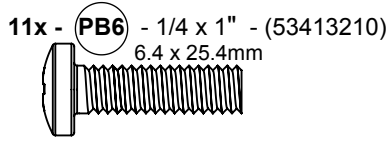
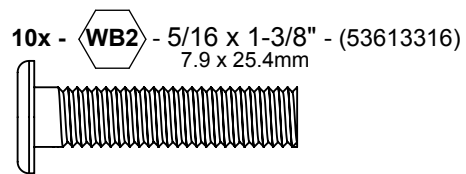
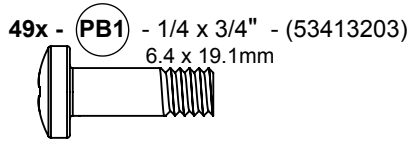
33x - **WL5** - 1/4 x 2-1/2" - (52613222)
6.4 x 63.5mm



4x - **WL3** - 1/4 x 1-3/8" - (52613216)
34.9mm

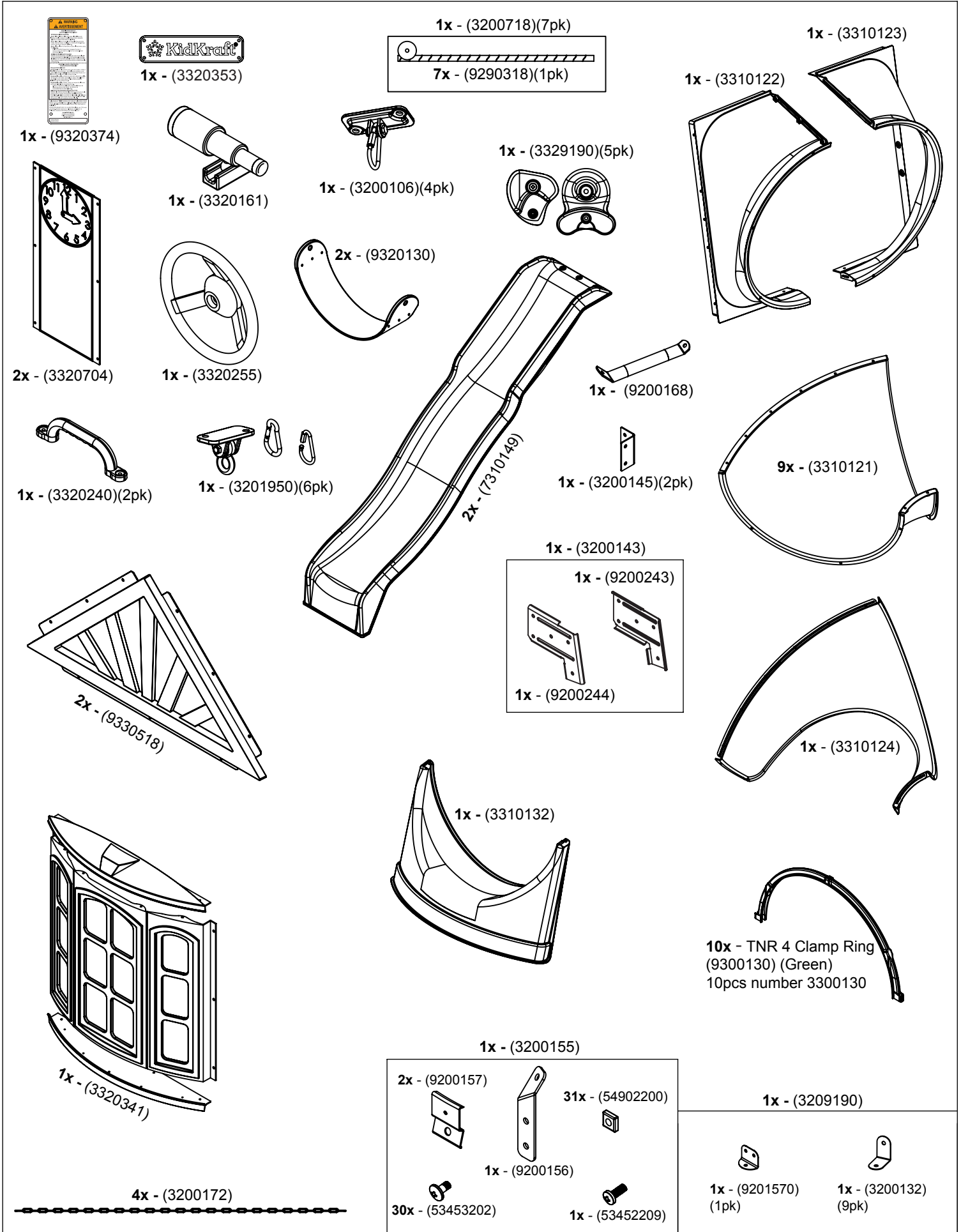


Hardware Identification (Actual Size)

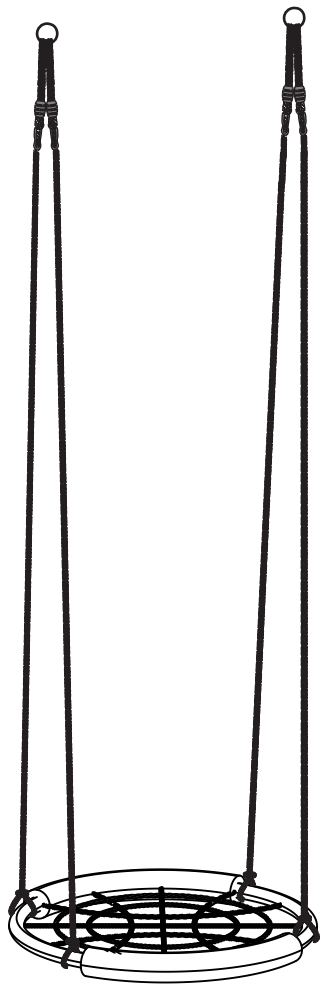


Note: Hardware bag includes extra hardware

Part Identification (Reduced Part Size)



Part Identification (Reduced Part Size)



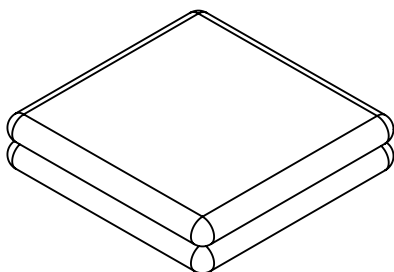
1x - (3720001)

1x - (5799192)

8x - (3799194)

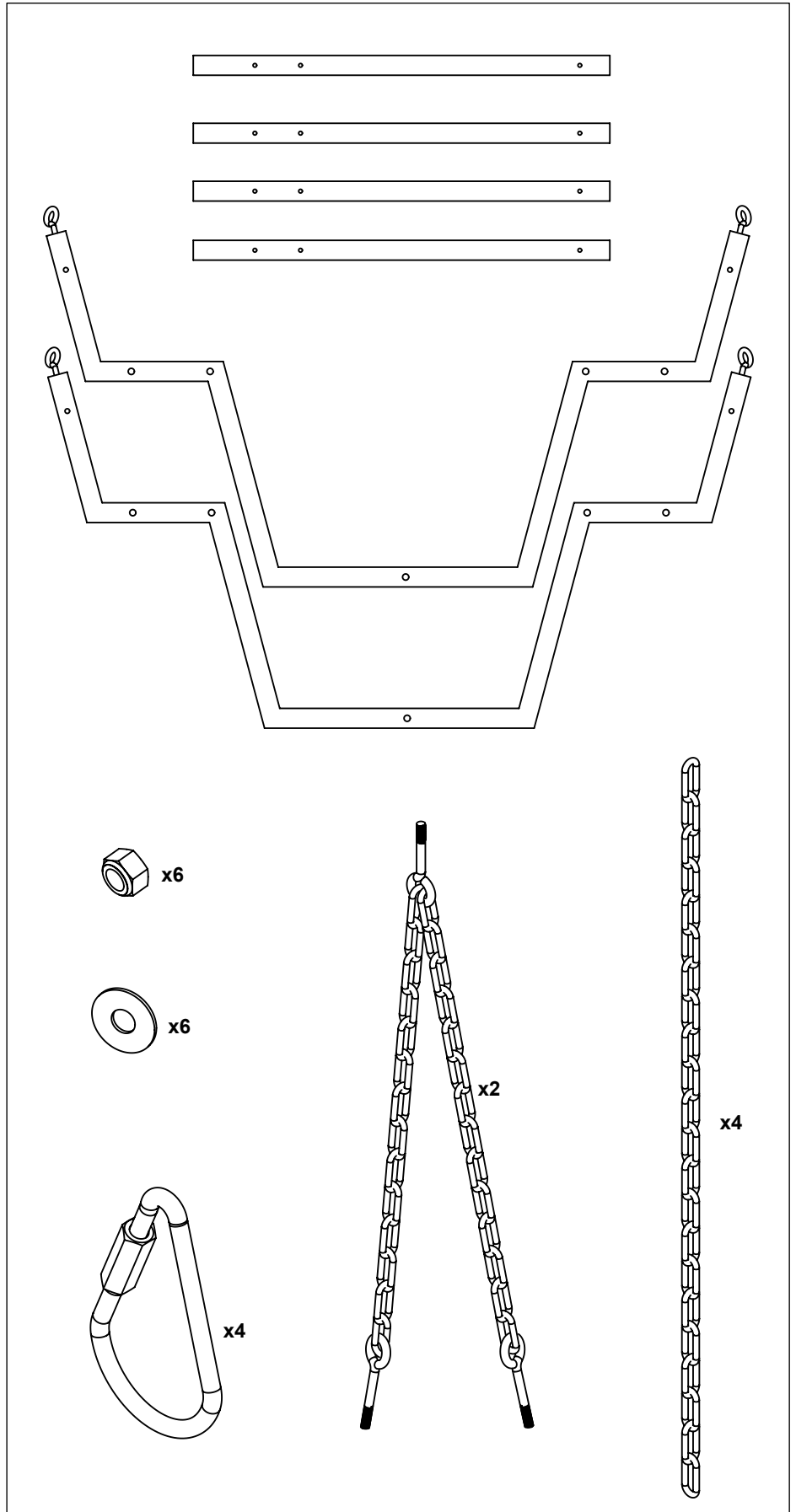


24x - (3799193)

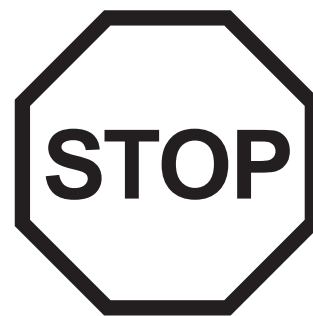
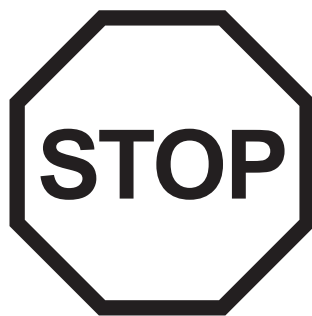
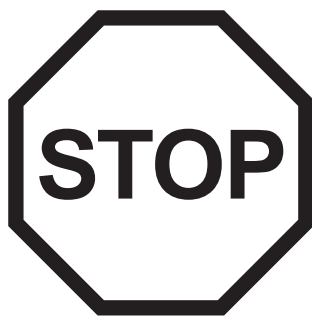
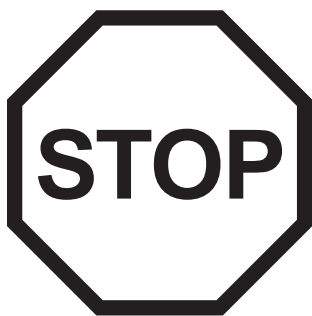


1x - (3759190)

1x - (3720002)



Step 1: Inventory Parts - Read This Before Starting Assembly



A. This is the time for you to inventory all your hardware, wood and accessories, referencing the parts identification sheets. This will assist you with your assembly.

- The wood pieces will have the key number stamped on the ends of the boards. Organize the wood pieces by step, as per the key numbering system below.

2X	012	Post 2" x 4" x 83" (5cm x 10cm x 210cm)
↑ Quantity	↙ Key Number	↘ Part Description, Part Size

- Please refer to Page 7 for proper hardware assembly.
- Each step indicates which bolts and/or screws you will need for assembly, as well as any flat washers, lock washers, t-nuts or lock nuts.

B. If there are any missing or damaged pieces or you need assistance with assembly please contact the consumer relations department directly. Call us before going back to the store.

1.800.933.0771 or 972.385.0100
customerservice@kidkraft.com
canadacustomerservice@kidkraft.com
For online parts replacement visit
<https://parts.kidkraft.com/>

+31 20 305 8620
europcustomerservice@KidKraft.com
For online parts replacement visit
<https://parts.kidkraft.eu/>

C. Read the assembly manual completely, paying special attention to ANSI warnings; notes; and safety/maintenance information on pages 1 - 7.

D. Before you discard your cartons fill out the form below.

- The carton I.D. stamp is located on the end of each carton. The tracking number is located on the KidKraft ID Plaque (9320374).
- Please retain this information for future reference. You will need this information if you contact the Consumer Relations Department.

MODEL NUMBER: **F29190**

CARTON I.D. STAMP: _____ (Box 1)

CARTON I.D. STAMP: _____ (Box 4)

CARTON I.D. STAMP: _____ (Box 2)

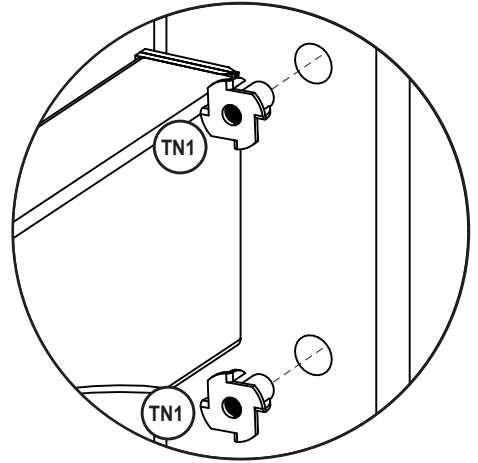
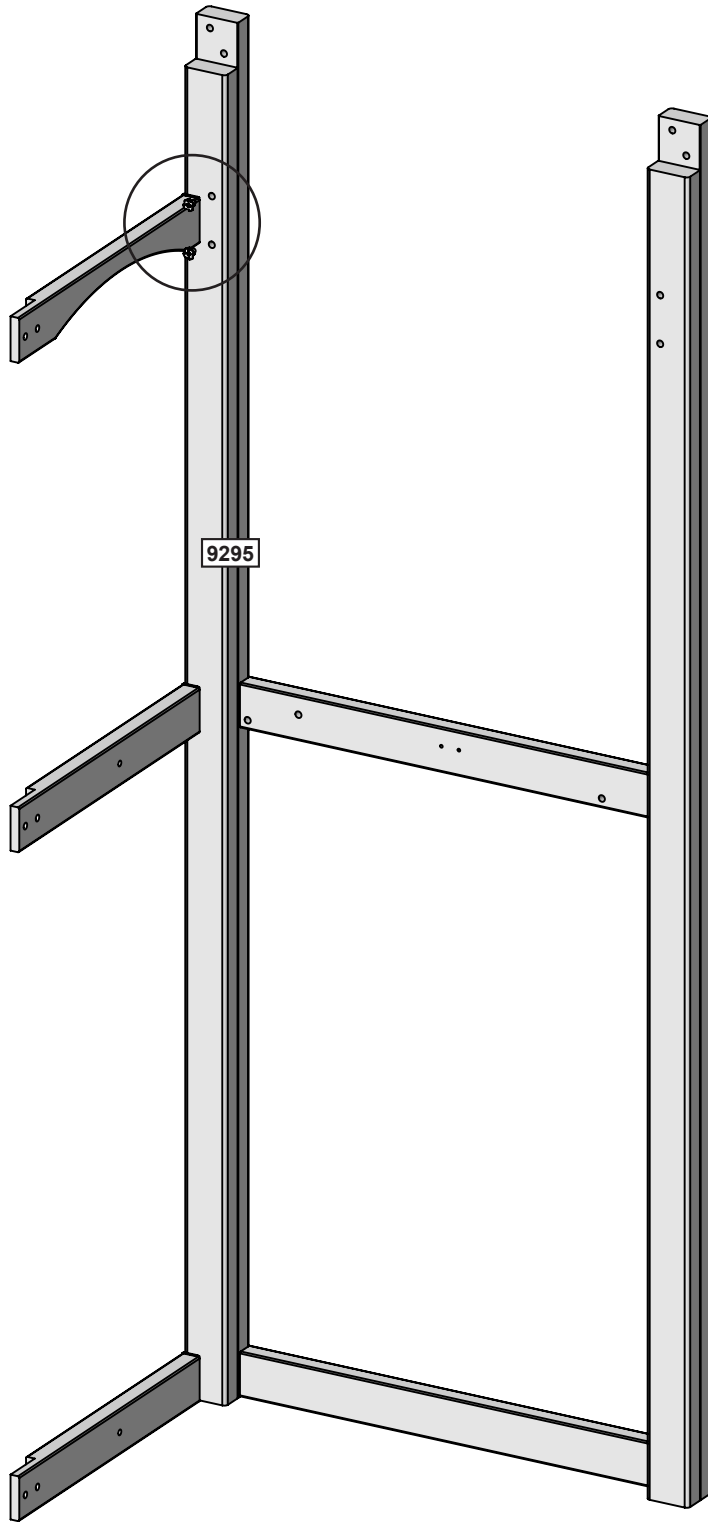
CARTON I.D. STAMP: _____ (Box 5)

CARTON I.D. STAMP: _____ (Box 3)

CARTON I.D. STAMP: _____ (Box 6)

TRACKING NUMBER (from ID Plaque): _____

Step 2



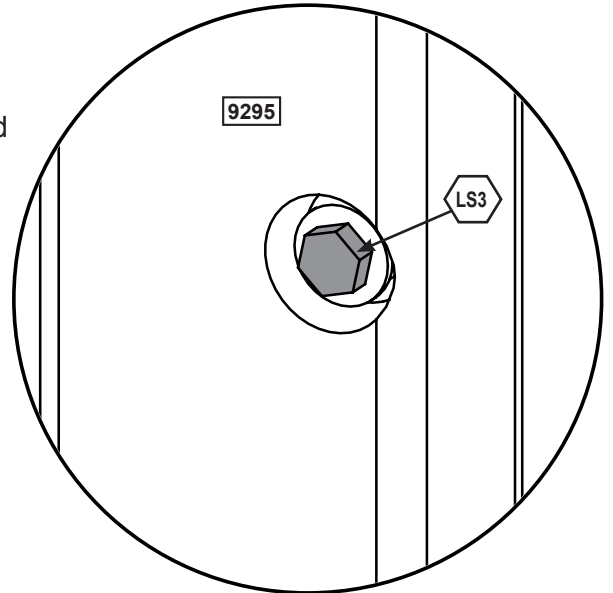
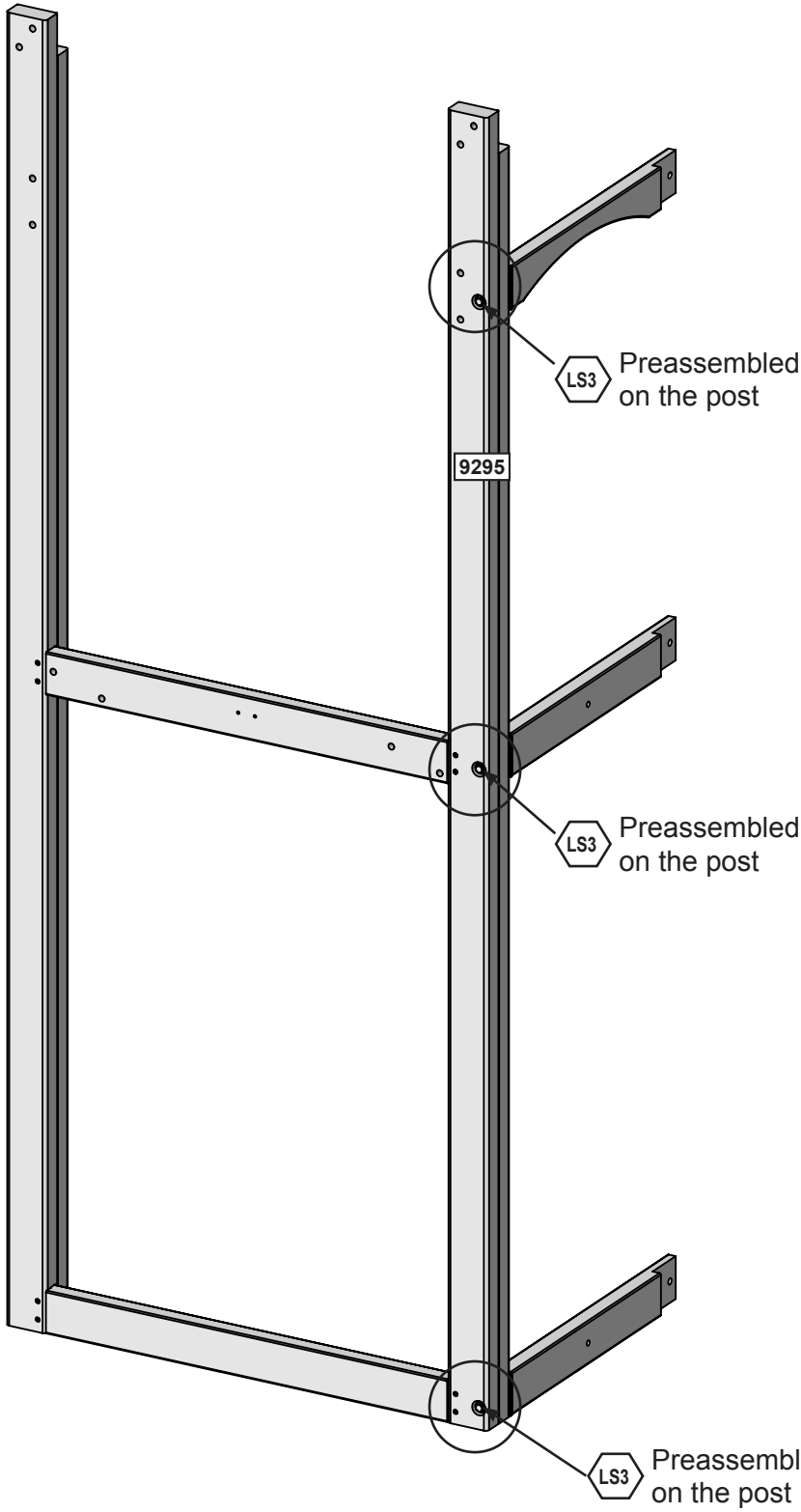
Wood Parts

1 x **9295** 108 x 914 x 2336.8mm (4-1/4" x 36" x 92")

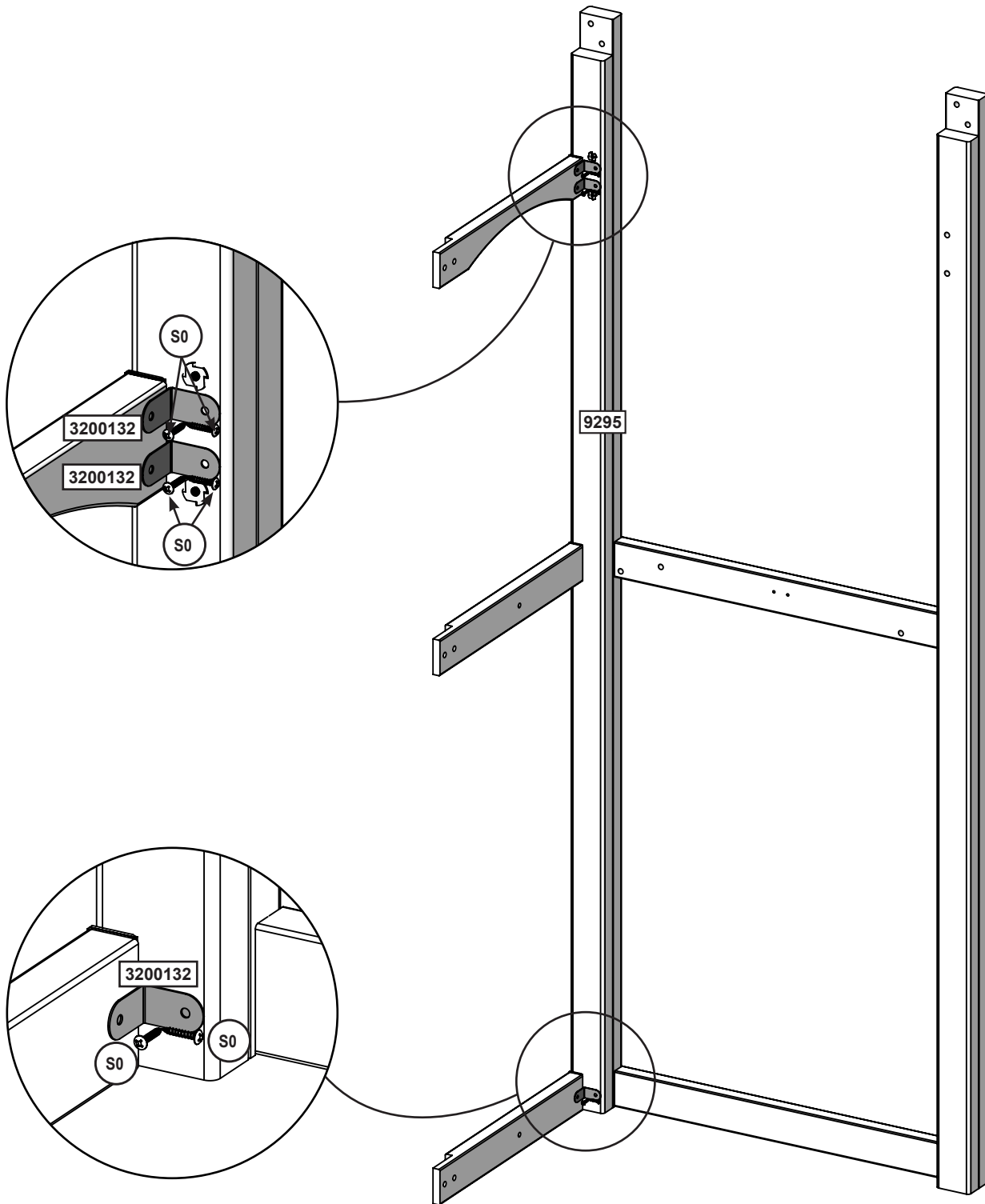
Hardware

2 x **TN1**

Step 3




Step 4



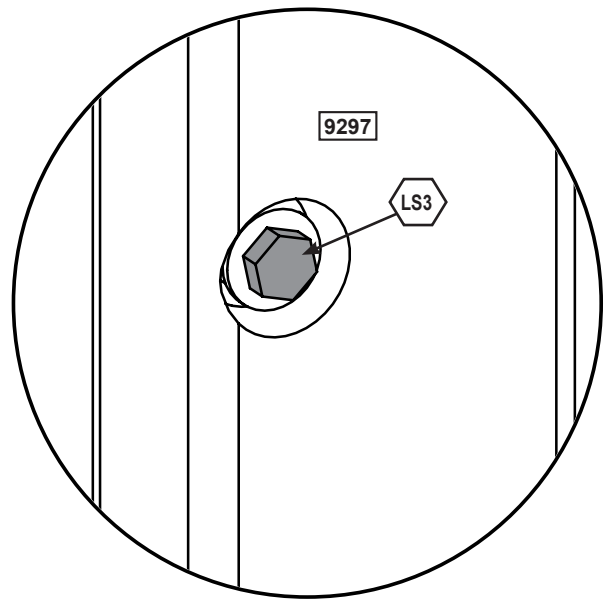
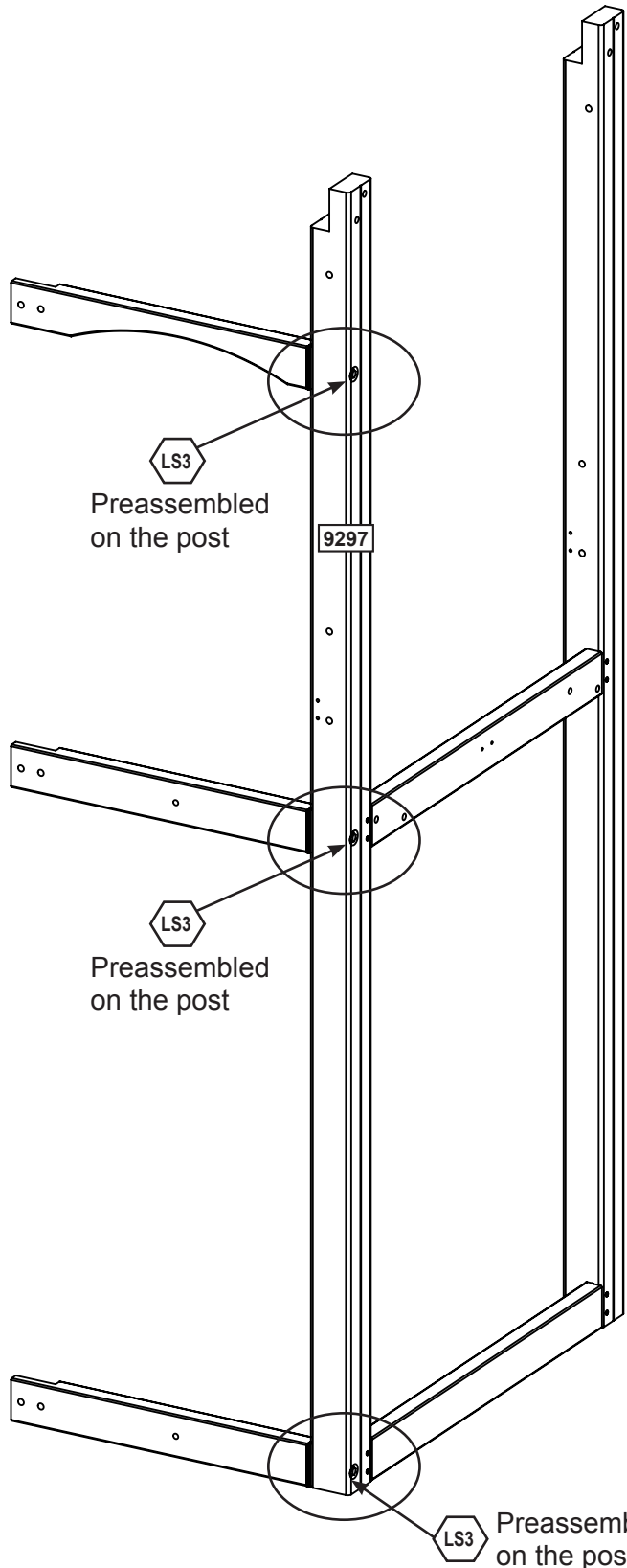
Hardware

6 x  #8 x 22.2mm (#8 x 7/8")

Other Parts

3 x 

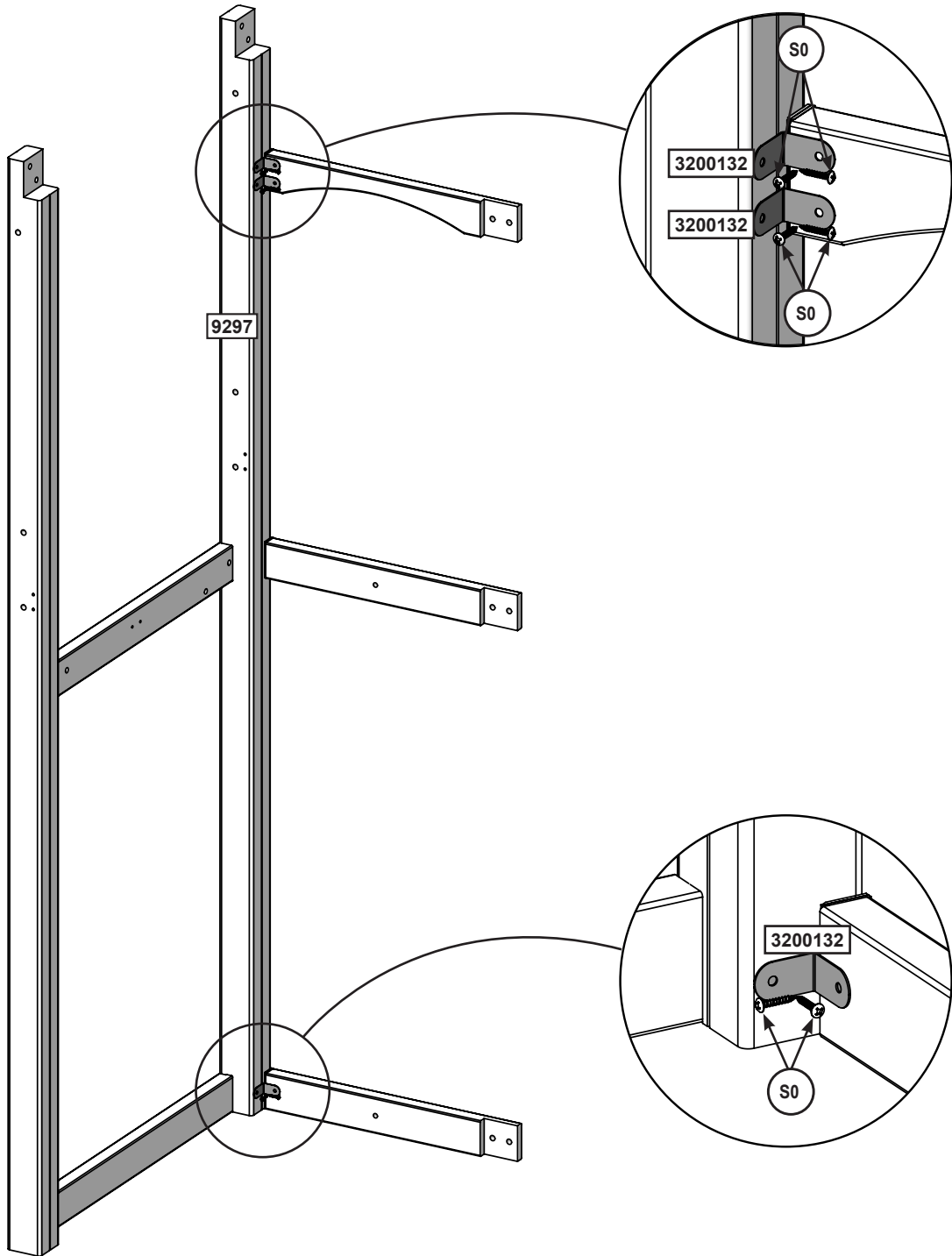
Step 5



Wood Parts

1 x **9297** 108 x 914 x 2336.8mm (4-1/4" x 36" x 92")


Step 6



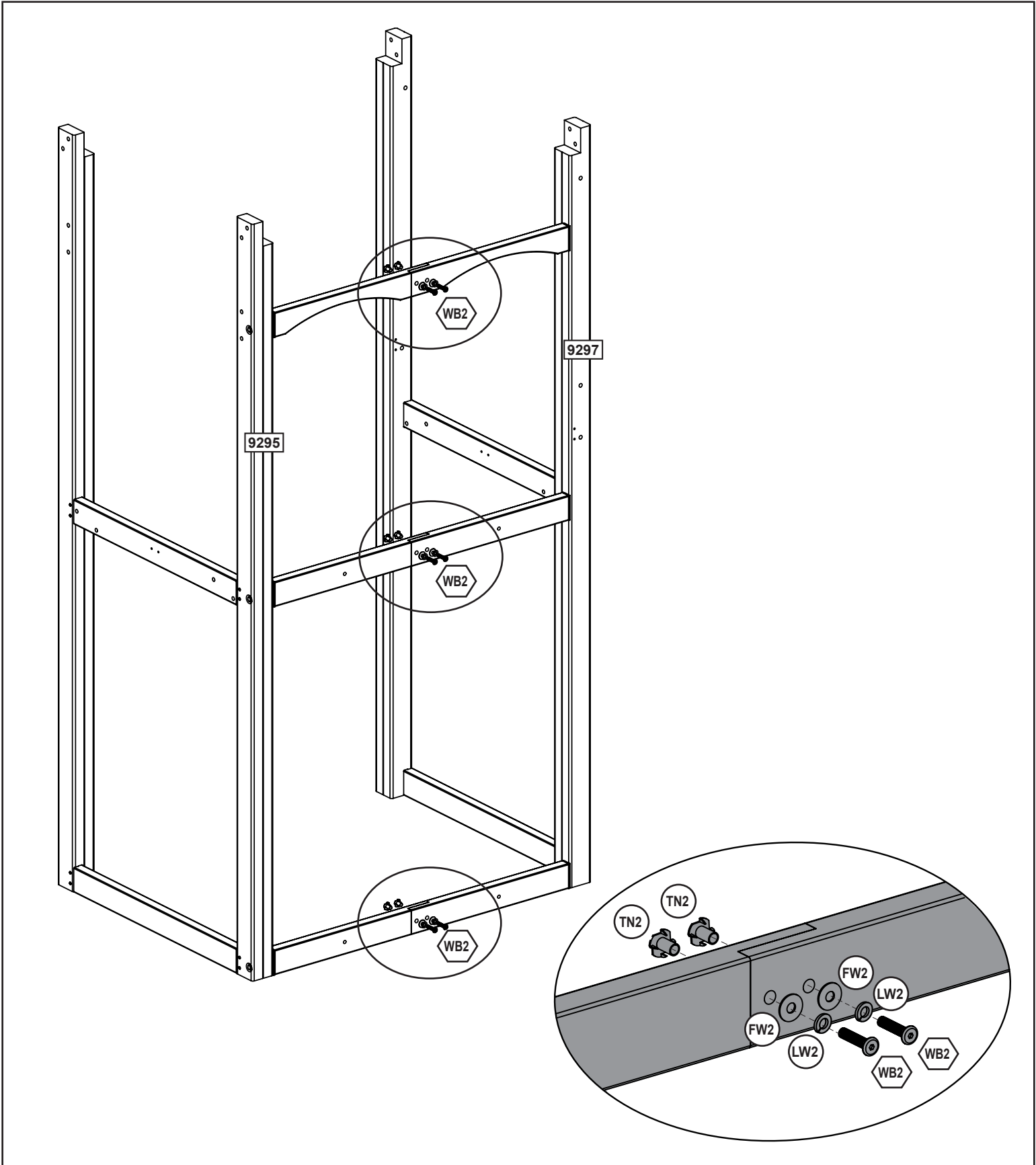
Hardware

6 x  #8 x 22.2mm (#8 x 7/8")


Other Parts

3 x 

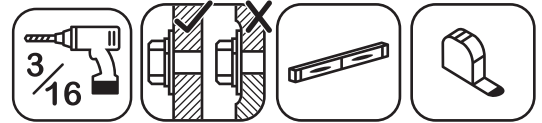
Step 7



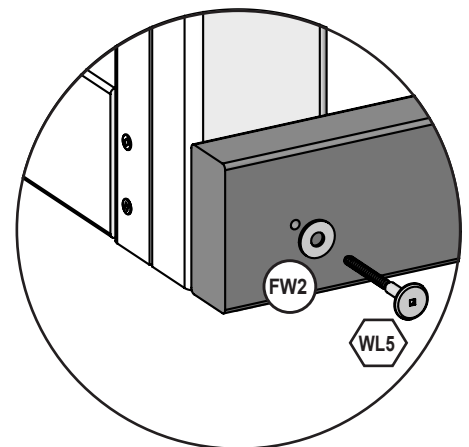
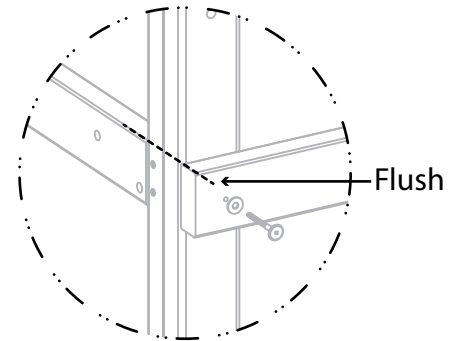
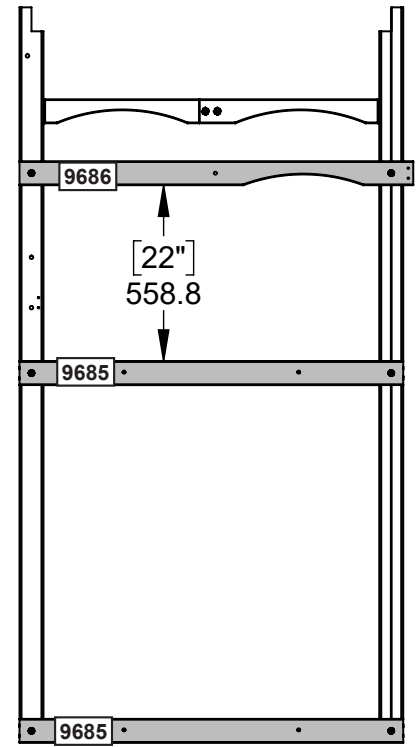
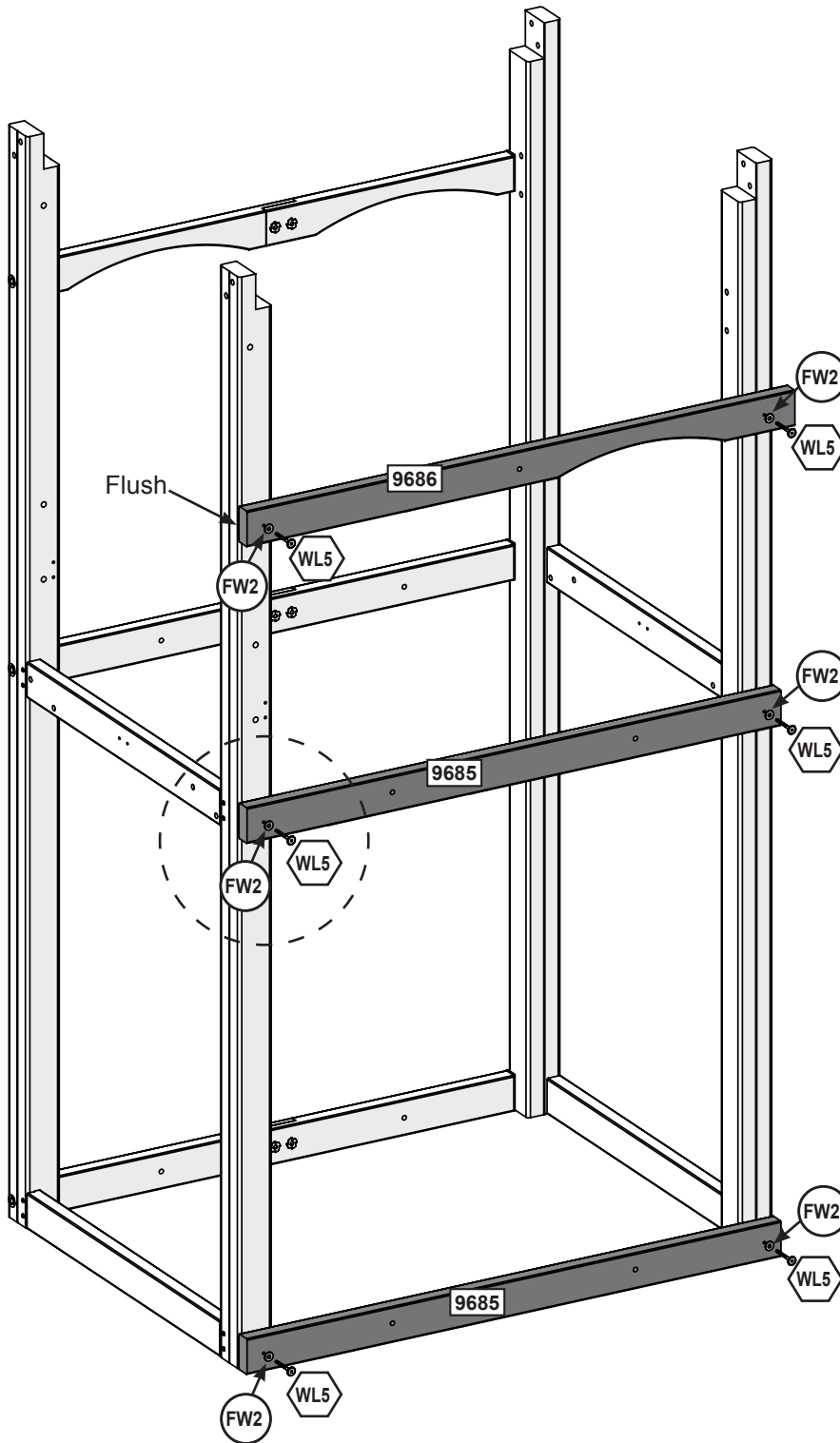
Hardware

6 x  7.9mm x 35 mm (5/16 x 1-3/8") (FW2, LW2, TN2)

Step 8



Pre-drill each hole using a 3/16" drill bit.



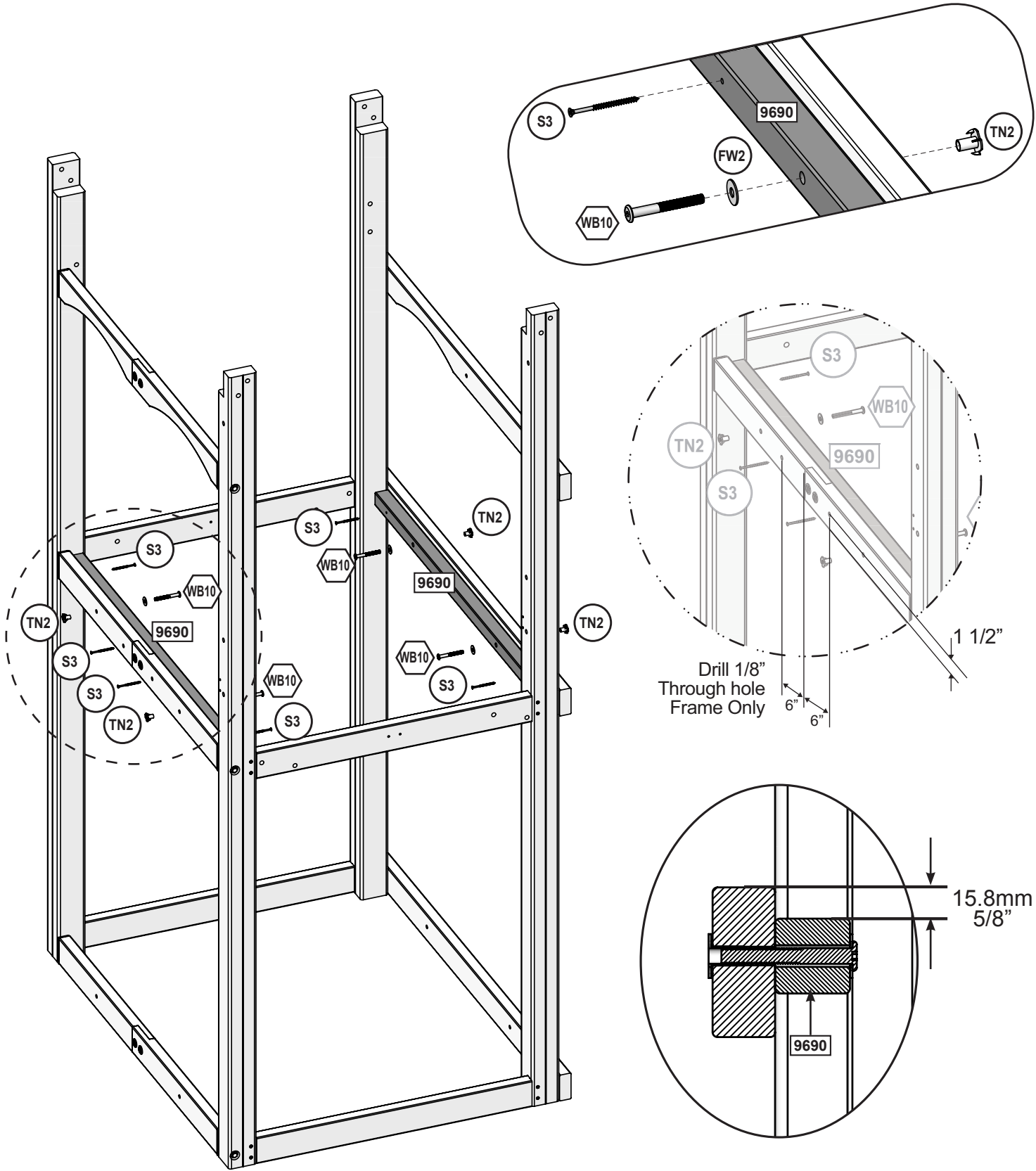
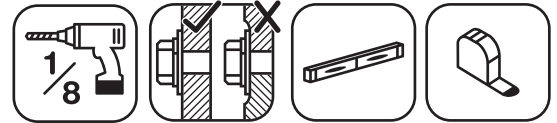
Wood Parts

- 2 x **9685** 31.8 x 76.2 x 1219.2 mm (1-1/4" x 3" x 48")
- 1 x **9686** 31.8 x 76.2 x 1251.0 mm (1-1/4" x 3" x 49-1/4")

Hardware

- 6 x **WL5** 6.4mm x 63.5 mm (1/4 x 2-1/2")(FW2)

Step 9



Wood Parts

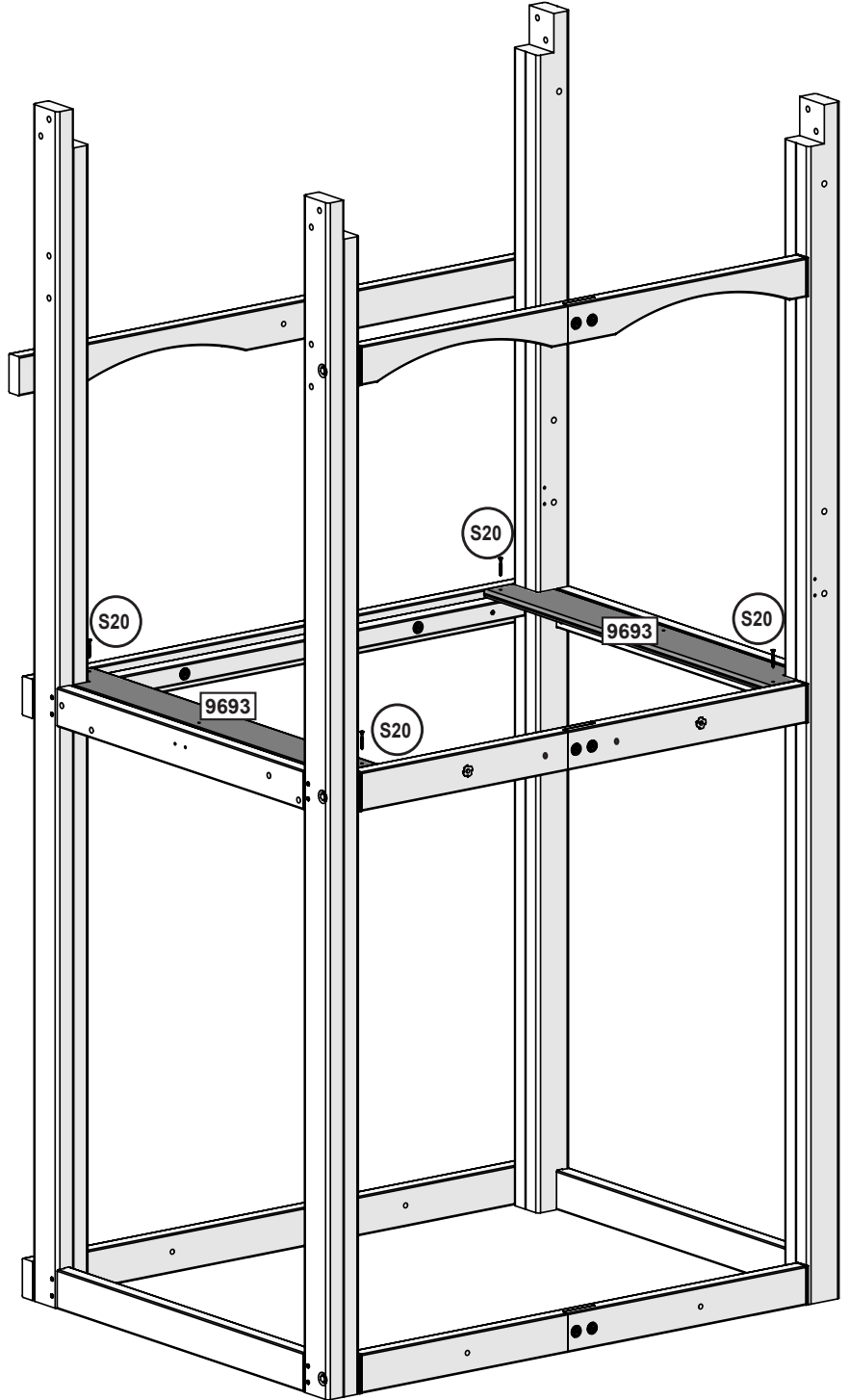
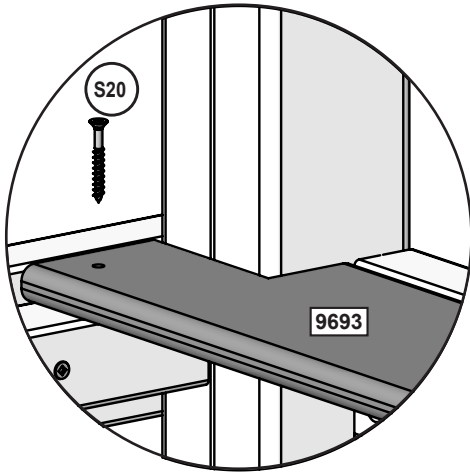
2 x 9690 38.1 x 38.1 x 1062.8 mm (1-1/2" x 1-1/2" x 41-13/16")

Hardware

4 x WB10 7.9mm x 66.6 mm (5/16 x 2-5/8")(FW2, TN2)

6 x S3 #8 x 64mm (#8 x 2-1/2")

Step 10



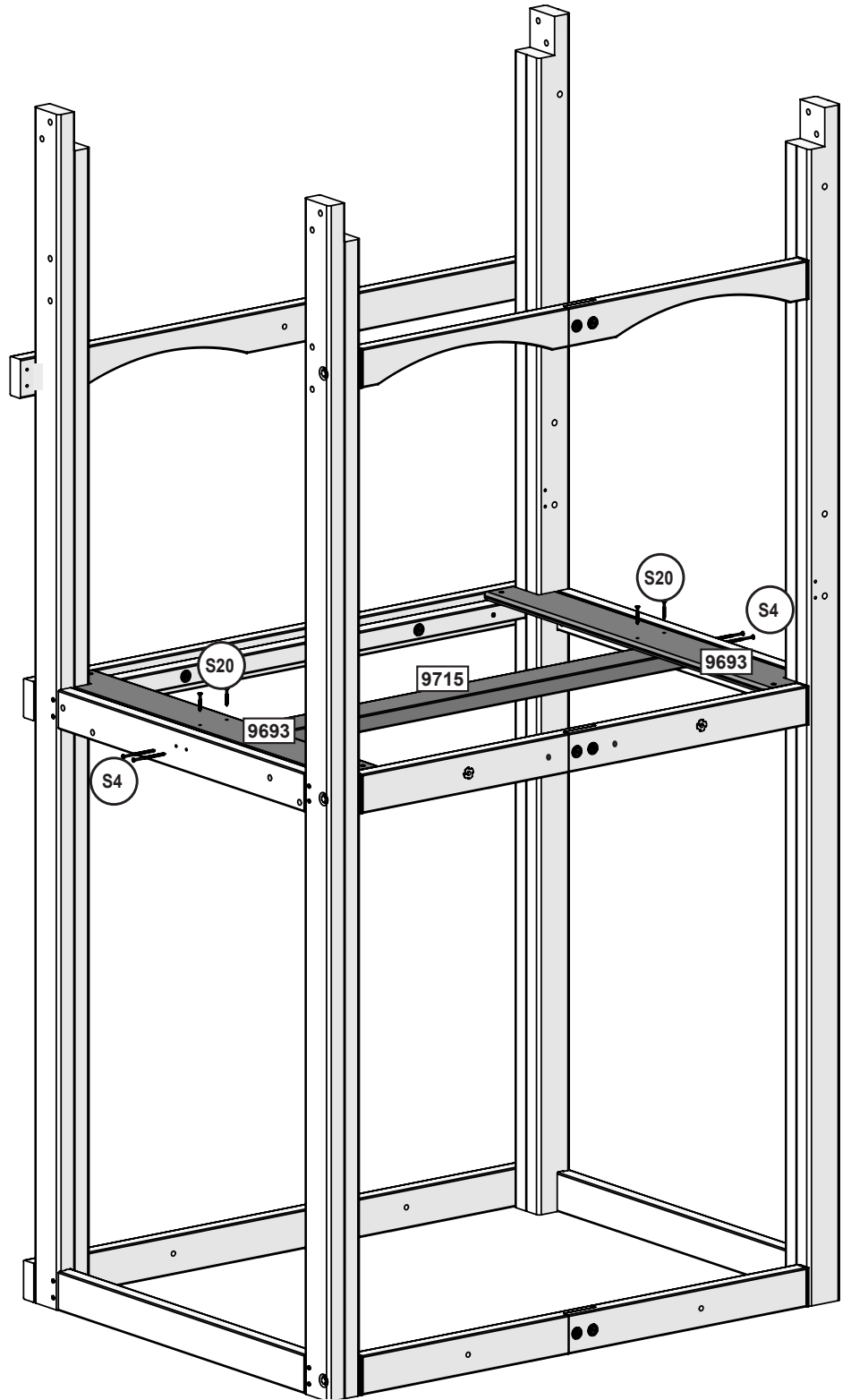
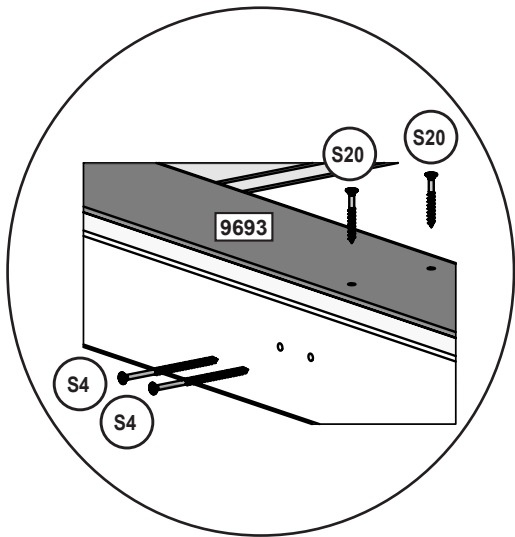
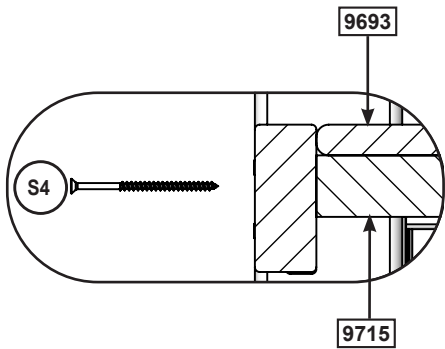
Wood Parts

2 x **9693** 15.9 x 114.3 x 882.6 mm (5/8" x 4 1/2" x 34 3/4")

Hardware

4 x **S20** #8 x 35mm (#8 x 1-3/8")

Step 11



Wood Parts

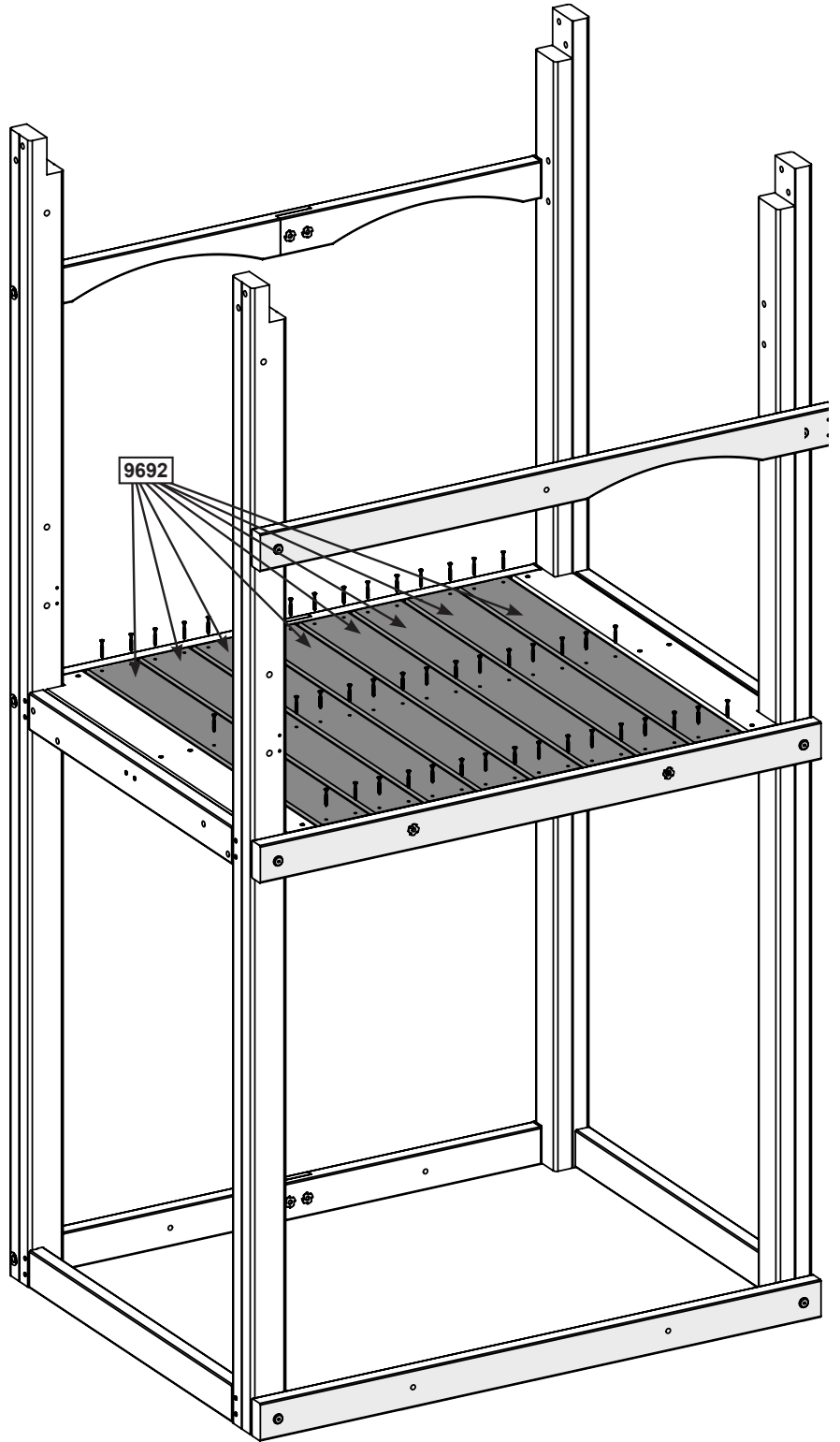
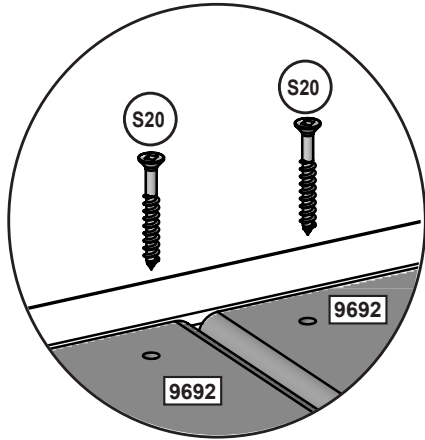
1 x 9715 31.8 x 76.2 x 1154.6 mm (1-1/4" X 3" X 45 7/16")

Hardware

4 x S20 #8 x 35mm (#8 x 1-3/8")

4 x S4 #8 x 76.2mm (#8 x 3")

Step 12



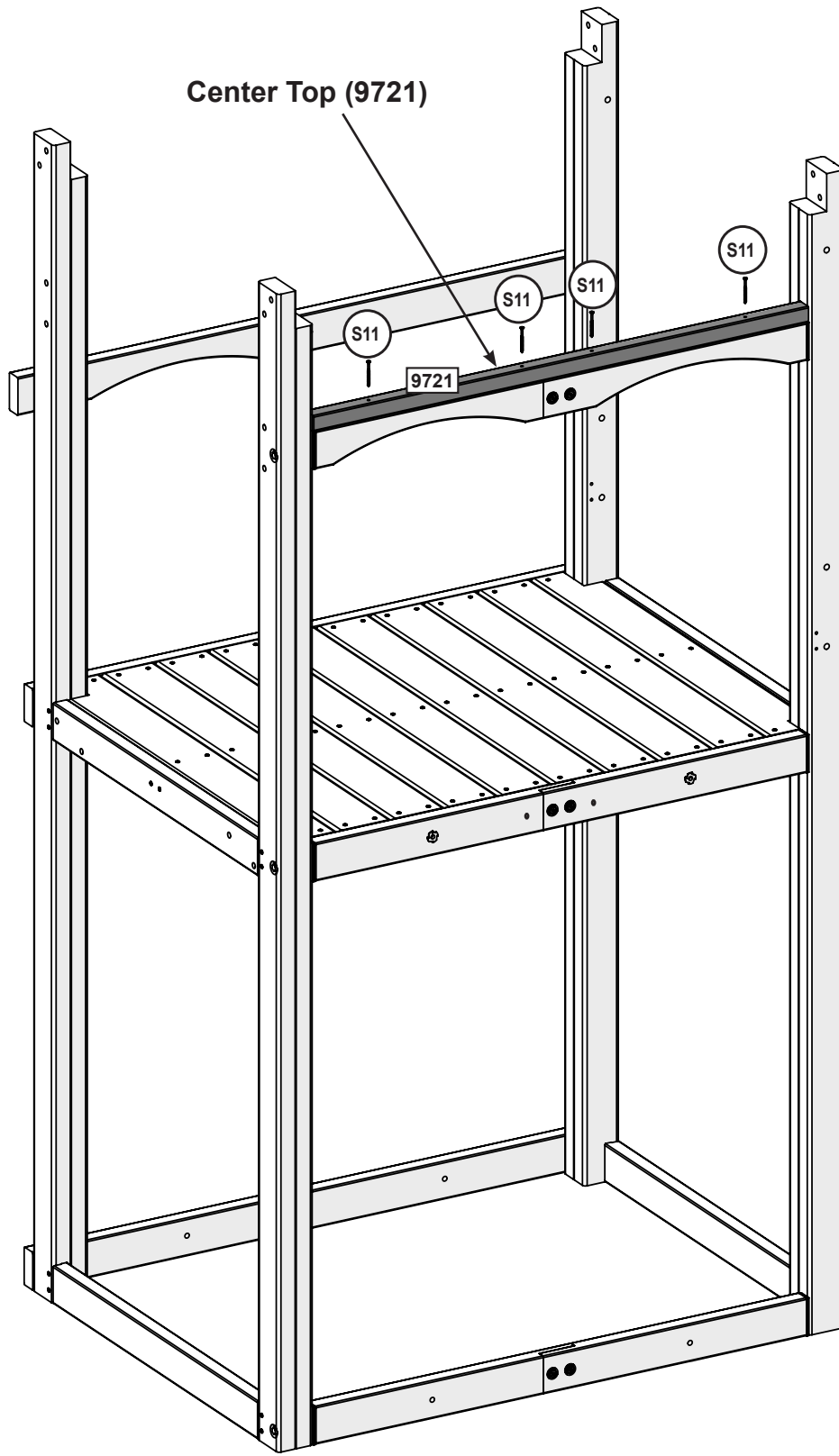
Wood Parts

8 x **9692** 15.9 x 114.3 x 882.6 mm (5/8" X 4 1/2" X 34 3/4")

Hardware

48 x **S20** #8 x 35mm (#8 x 1-3/8")

Step 13



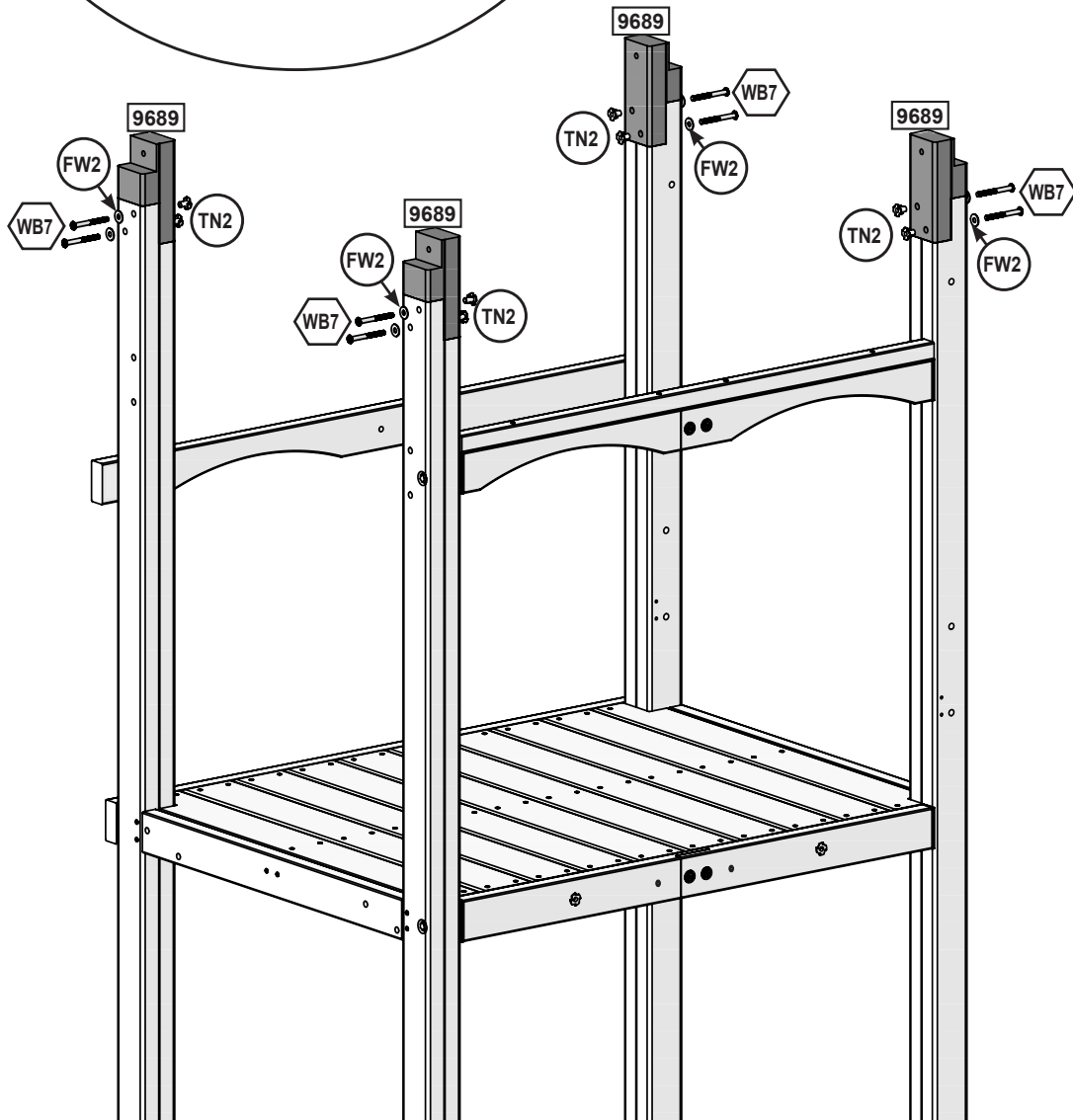
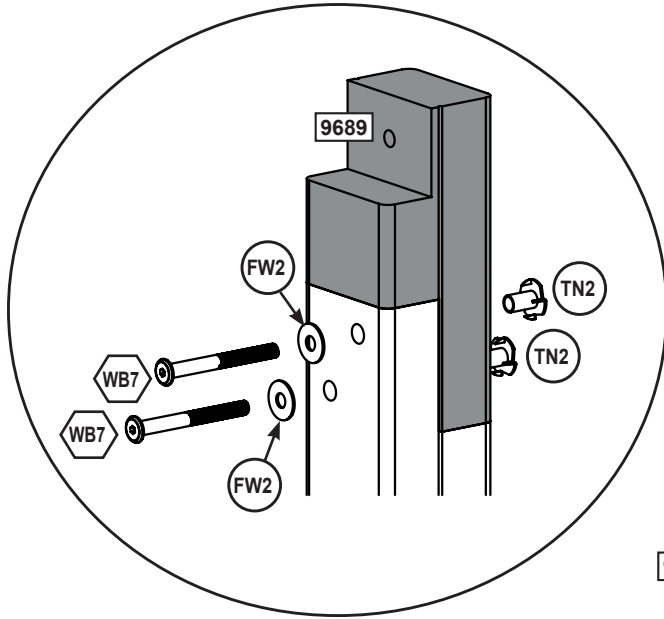
Wood Parts

1 x 9721 31.8 x 31.8 x 1064.8 mm (1-1/4" x 1-1/4" x 41-15/16")

Hardware

4 x S11 #8 x 50.8mm (#8 x 2")

Step 14



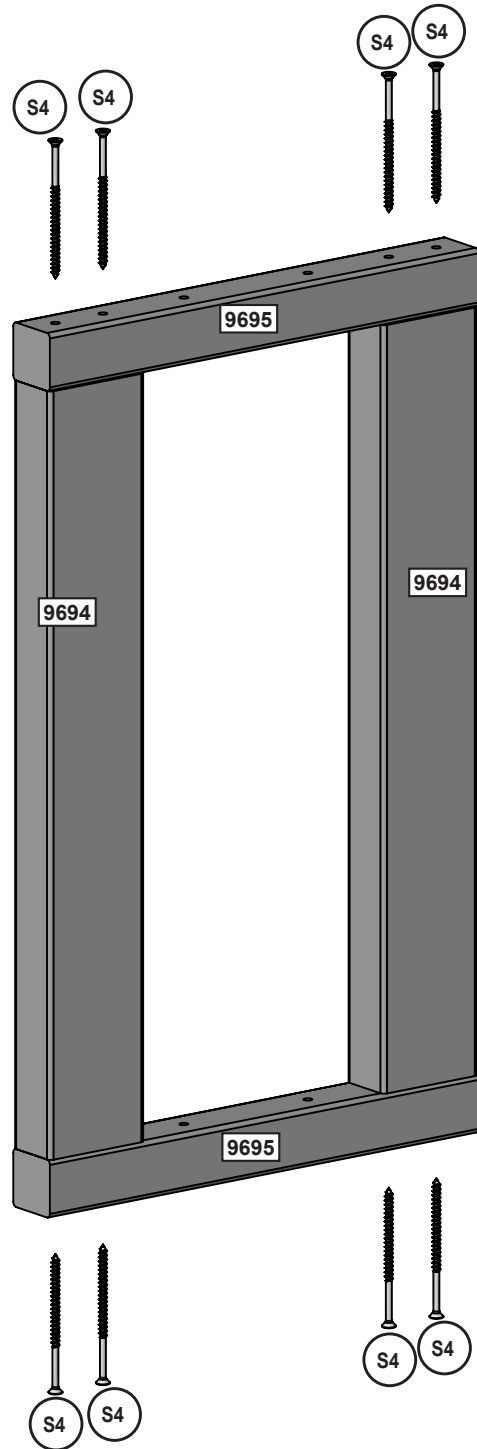
Wood Parts

4 x **9689** 76.2 x 76.2 x 186.6 mm (3" x 3" x 7-3/8")

Hardware

8 x **WB7** 7.9mm x 76.2mm (5/16 x 3") (FW2, TN2)

Step 15 x 2



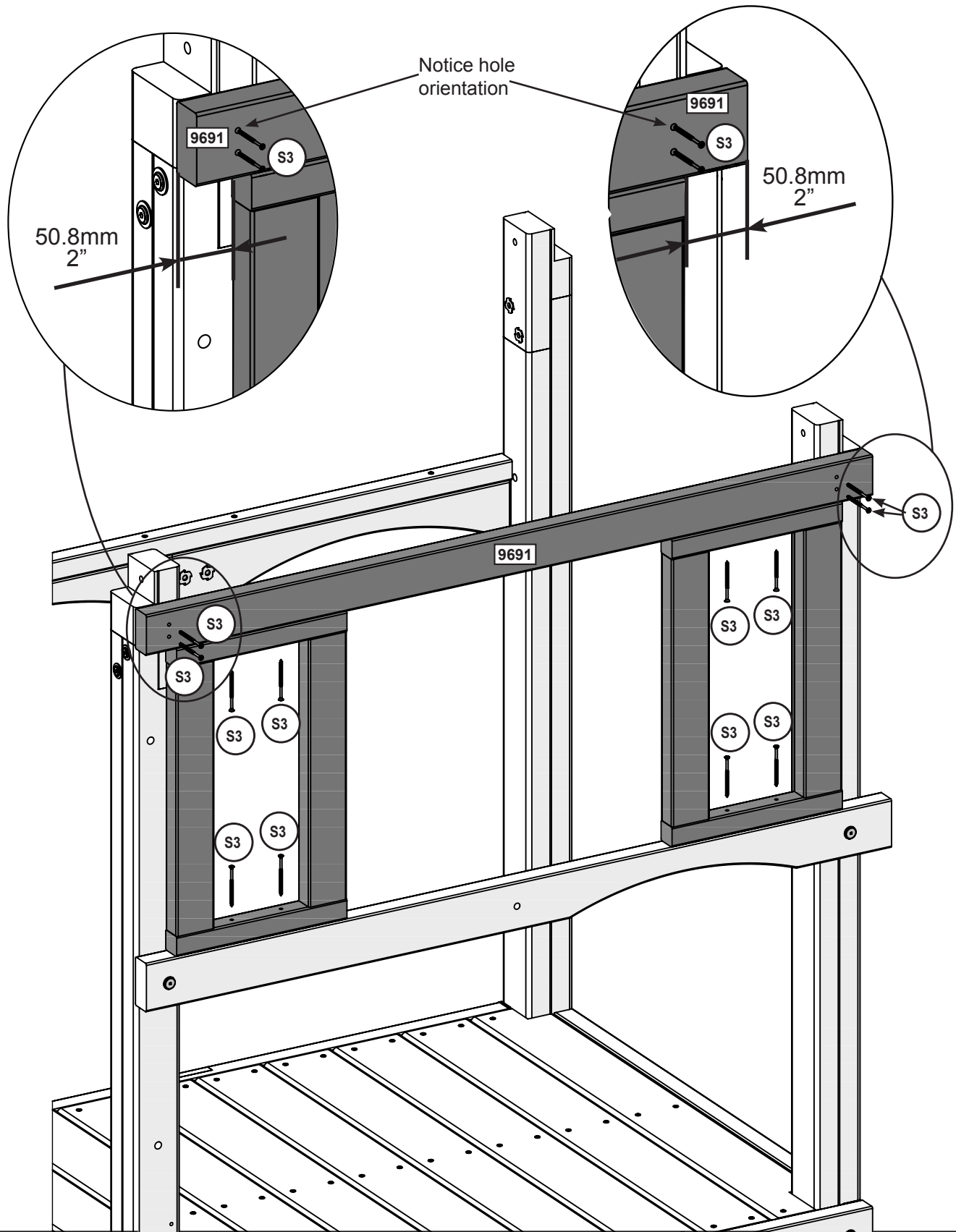
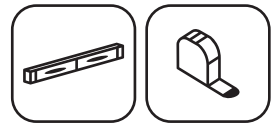
Wood Parts

- 4 x **9694** 31.8 x 63.5 x 421.0 mm (1-1/4" x 2-1/2" x 16-9/16")
- 4 x **9695** 31.8 x 31.8 x 285.9 mm (1-1/4" x 1-1/4" x 11-1/4")

Hardware

- 16 x **(S4)** #8 x 76.2mm (#8 x 3")

Step 16



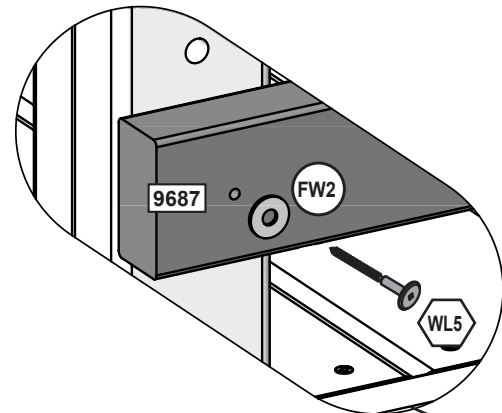
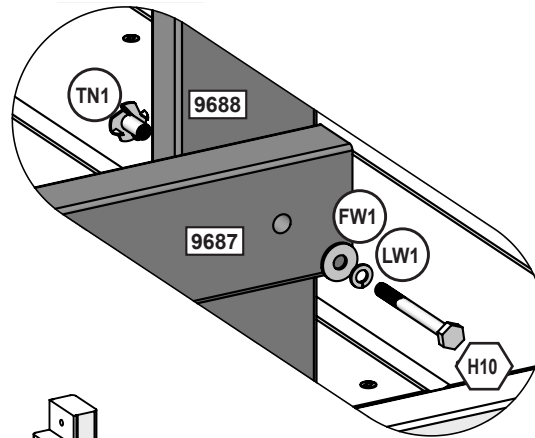
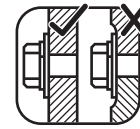
Wood Parts

1 x 9691 31.8 x 63.5 x 1219.2 mm (1-1/4" x 2-1/2" x 48")

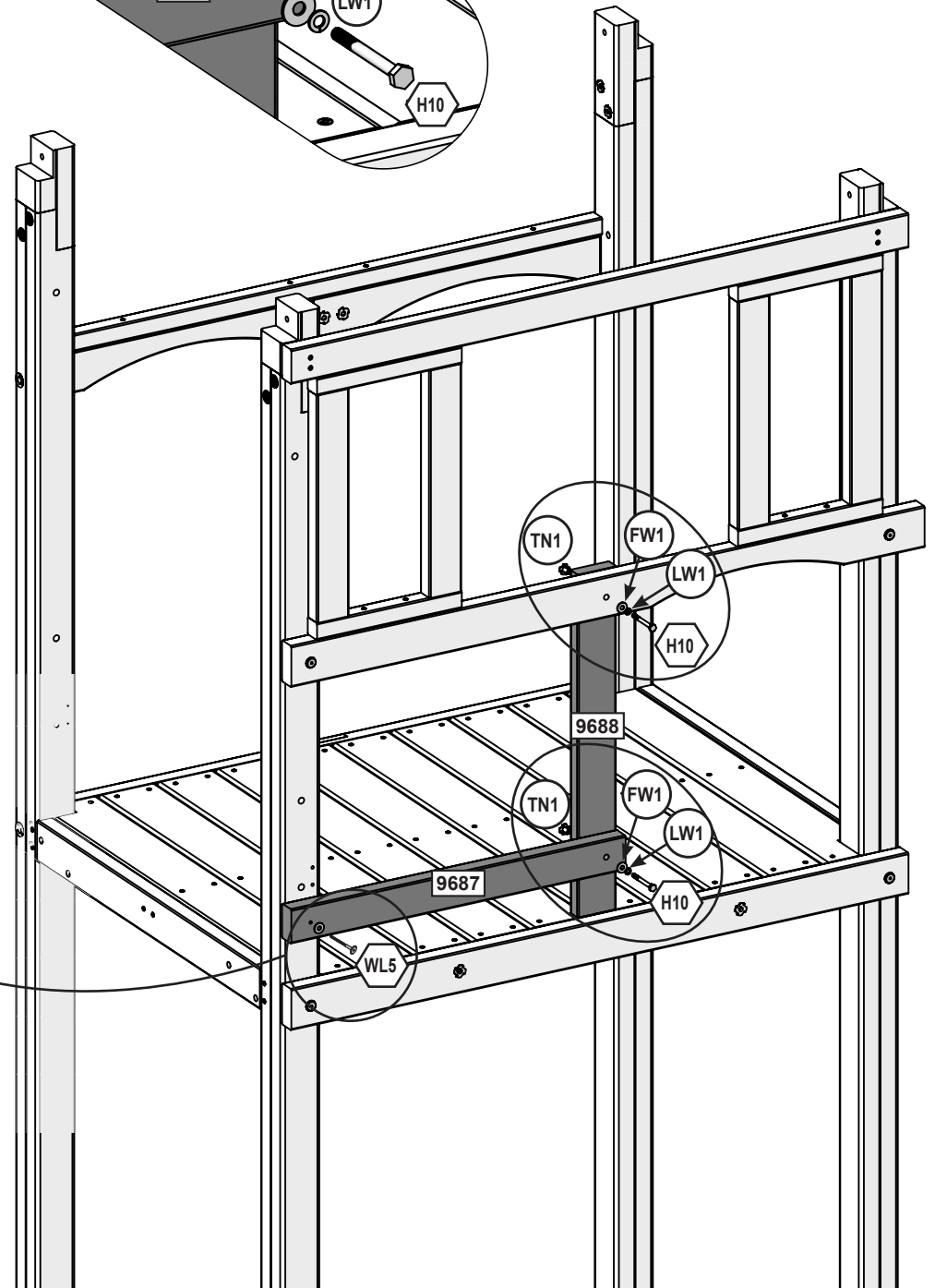
Hardware

12 x S3 #8 x 64mm (#8 x 2-1/2")

Step 17



Pre-drill each hole using a 3/16" drill bit.



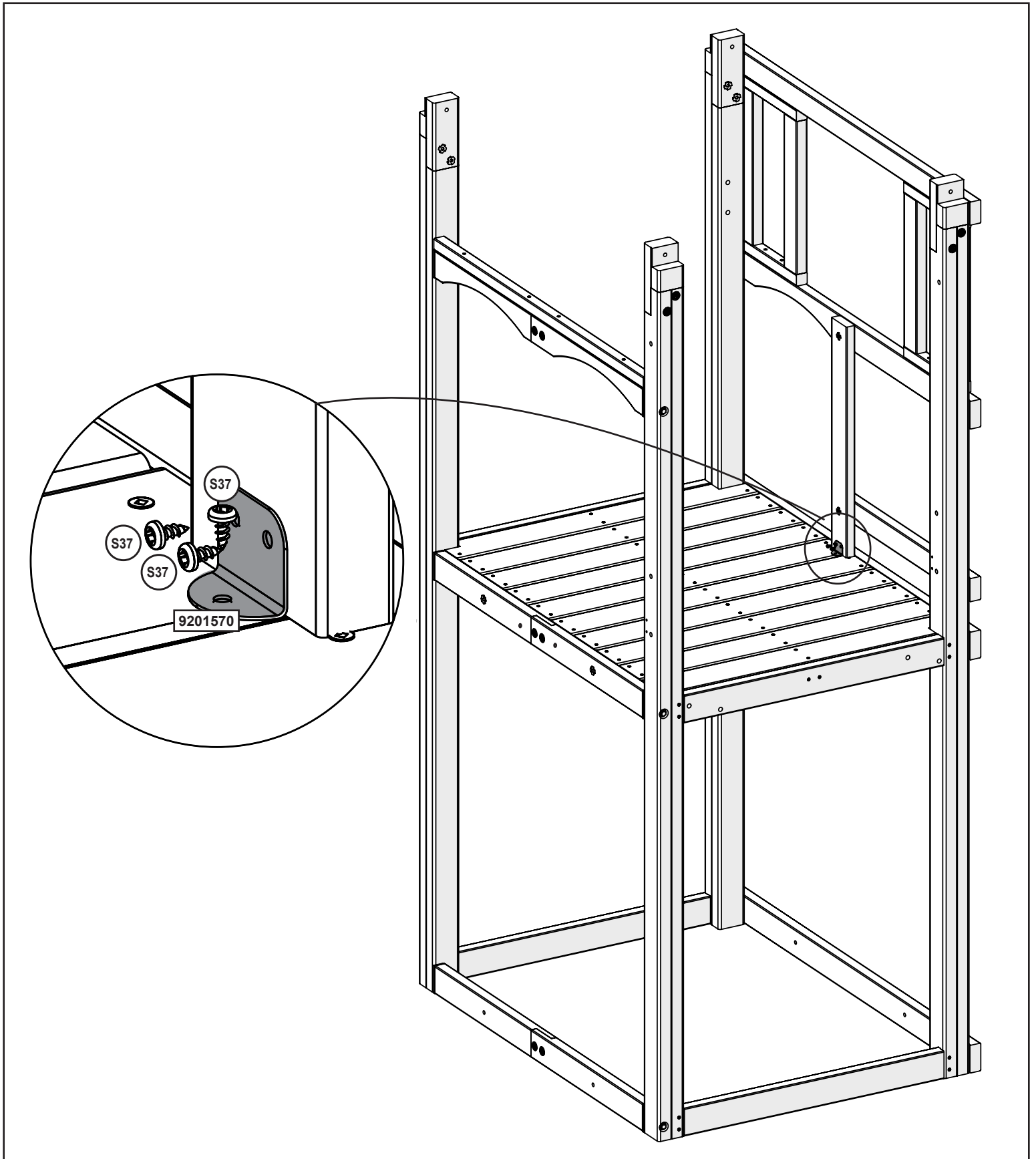
Wood Parts

- 1 x **9688** 25.4 x 76.2 x 635.0 mm (1" x 3" x 25")
- 1 x **9687** 31.8 x 63.5 x 660.4 mm (1-1/4" x 2-1/2" x 26")

Hardware

- 1 x **WL5** 6.4mm x 63.5 mm (1/4 x 2-1/2")(FW2)
- 2 x **H10** 6.4mm x 57.2 mm (1/4 x 2-1/4")(FW1, LW1, TN1)


Step 18



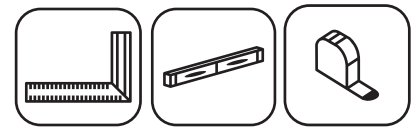
Hardware

3 x  #7 x 15.87mm (#7 x 5/8")

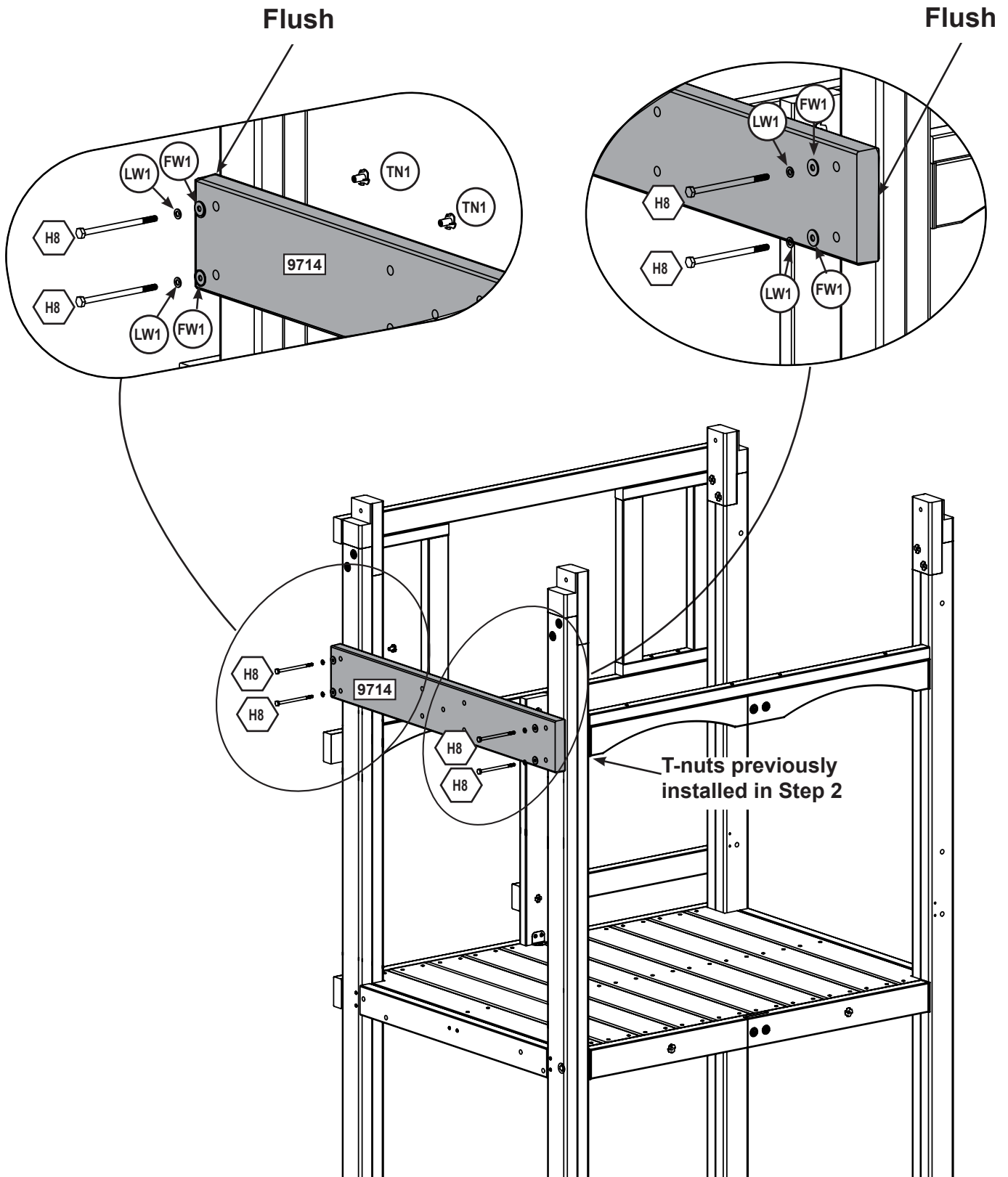
Other Parts

1 x 

Step 19



Making sure that they are square



Wood Parts

1 x 31.8 x 133.4 x 914.4 mm (1-1/4" x 5-1/4" x 36")

Hardware

2 x 6.4mm x 108mm (1/4 x 4-1/4")(FW1, LW1, TN1)

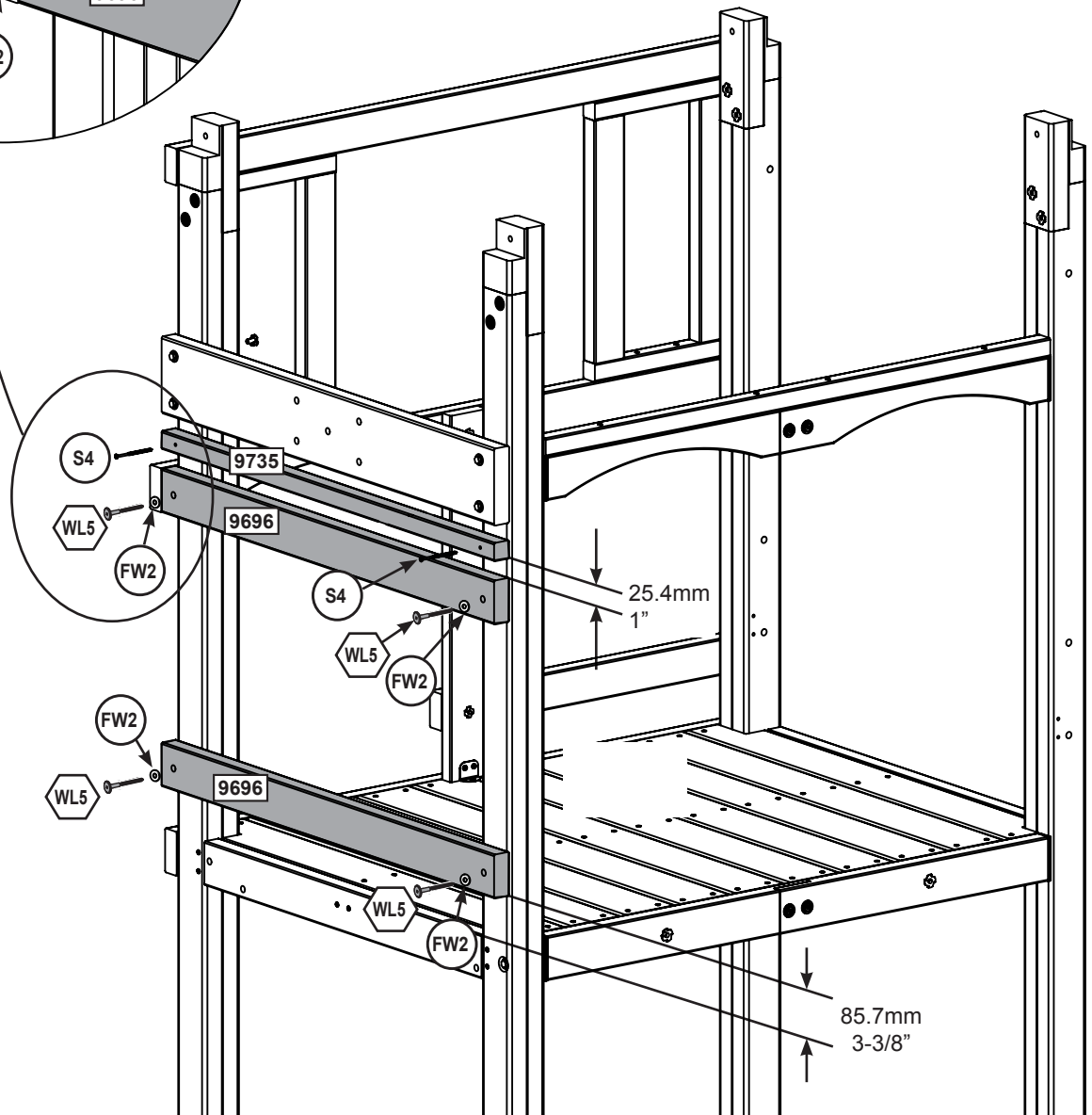
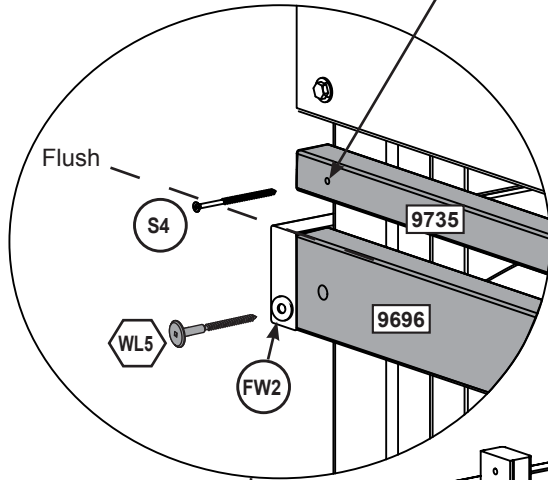
2 x 6.4mm x 108mm (1/4 x 4-1/4")(FW1, LW1)

Step 20



Pre-drill each hole using a 3/16" drill bit for WL5.

Pre-drill hole using the 1/8" drill bit (2)



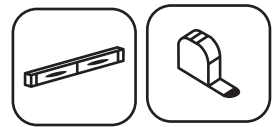
Wood Parts

- 1 x **9735** 31.8 x 31.8 x 914.4 mm (1-1/4" x 1-1/4" x 36")
- 2 x **9696** 31.8 x 76.2 x 914.4 mm (1-1/4" x 3" x 36")

Hardware

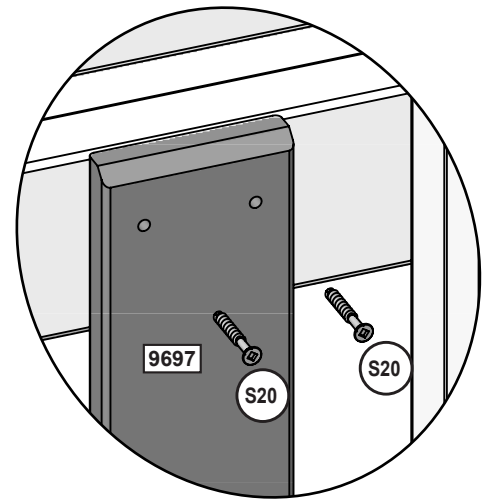
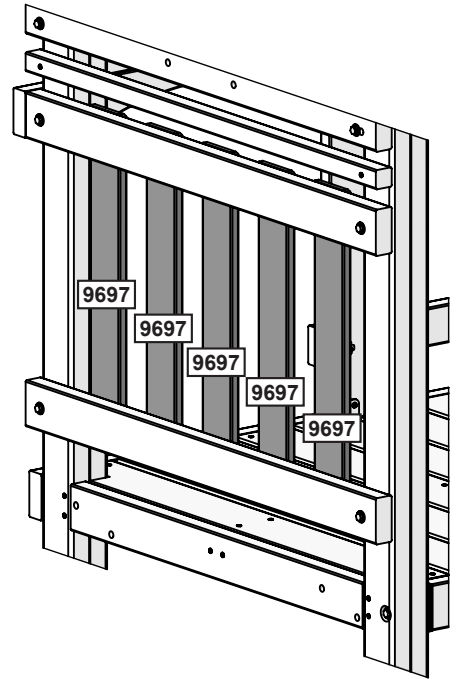
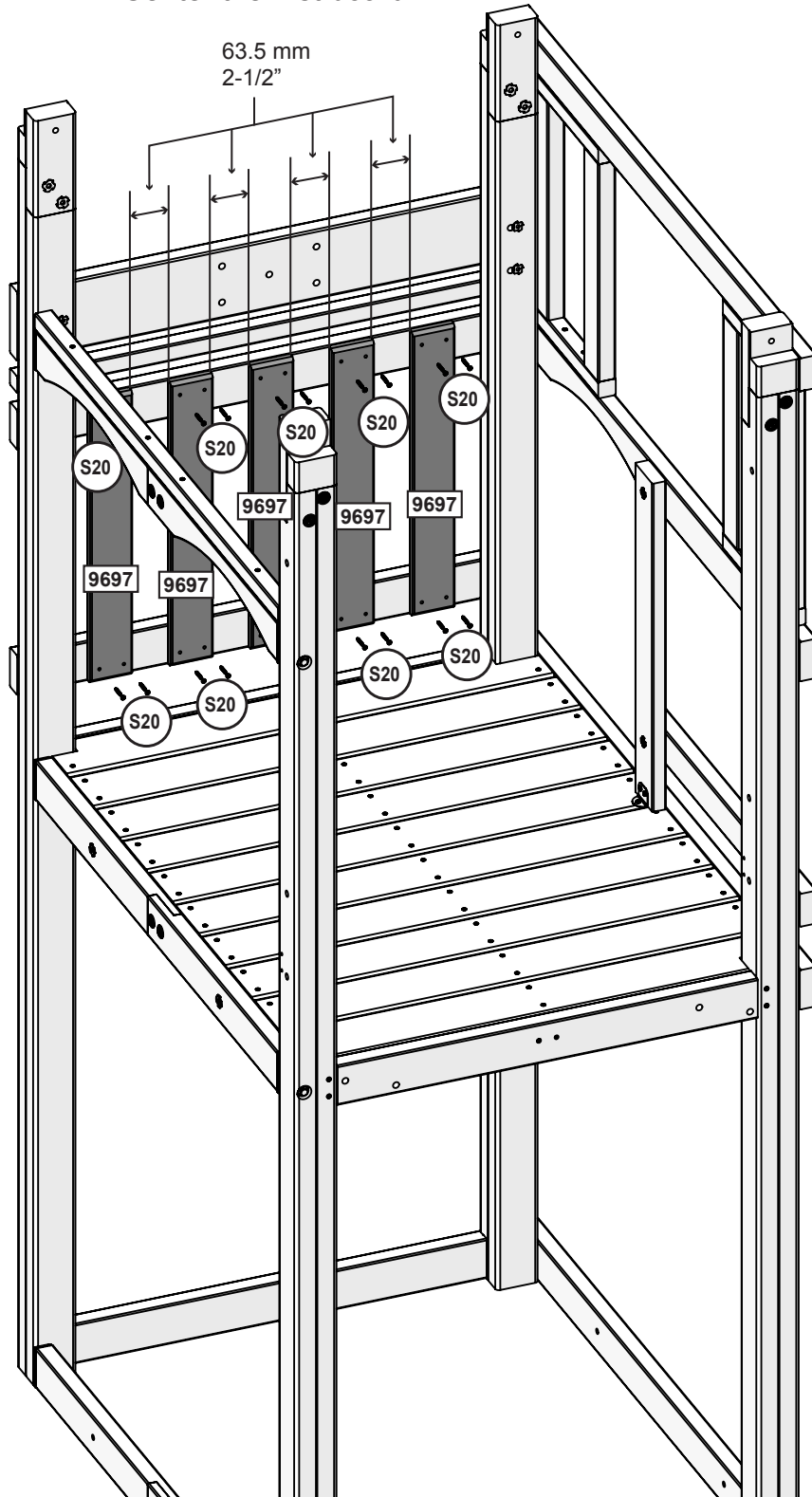
- 4 x **WL5** 6.4mm x 63.5 mm (1/4 x 2-1/2")(FW2)
- 2 x **S4** #8 x 76.2mm (#8 x 3")

Step 21



Center the first board

63.5 mm
2-1/2"



beveled edge faces out

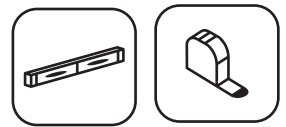
Wood Parts

5 x 9697 15.9 x 76.2 x 549.0 mm (5/8" x 3" x 21-5/8")

Hardware

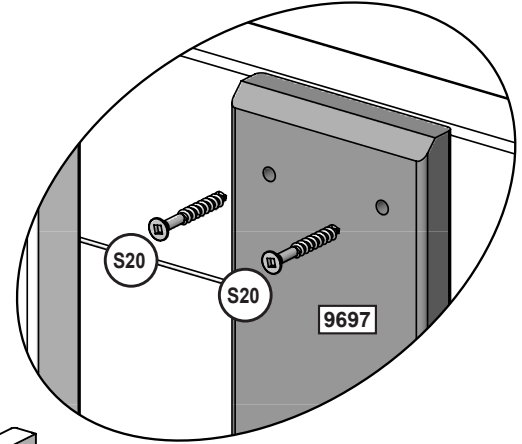
20 x S20 #8 x 35mm (#8 x 1-3/8")

Step 22

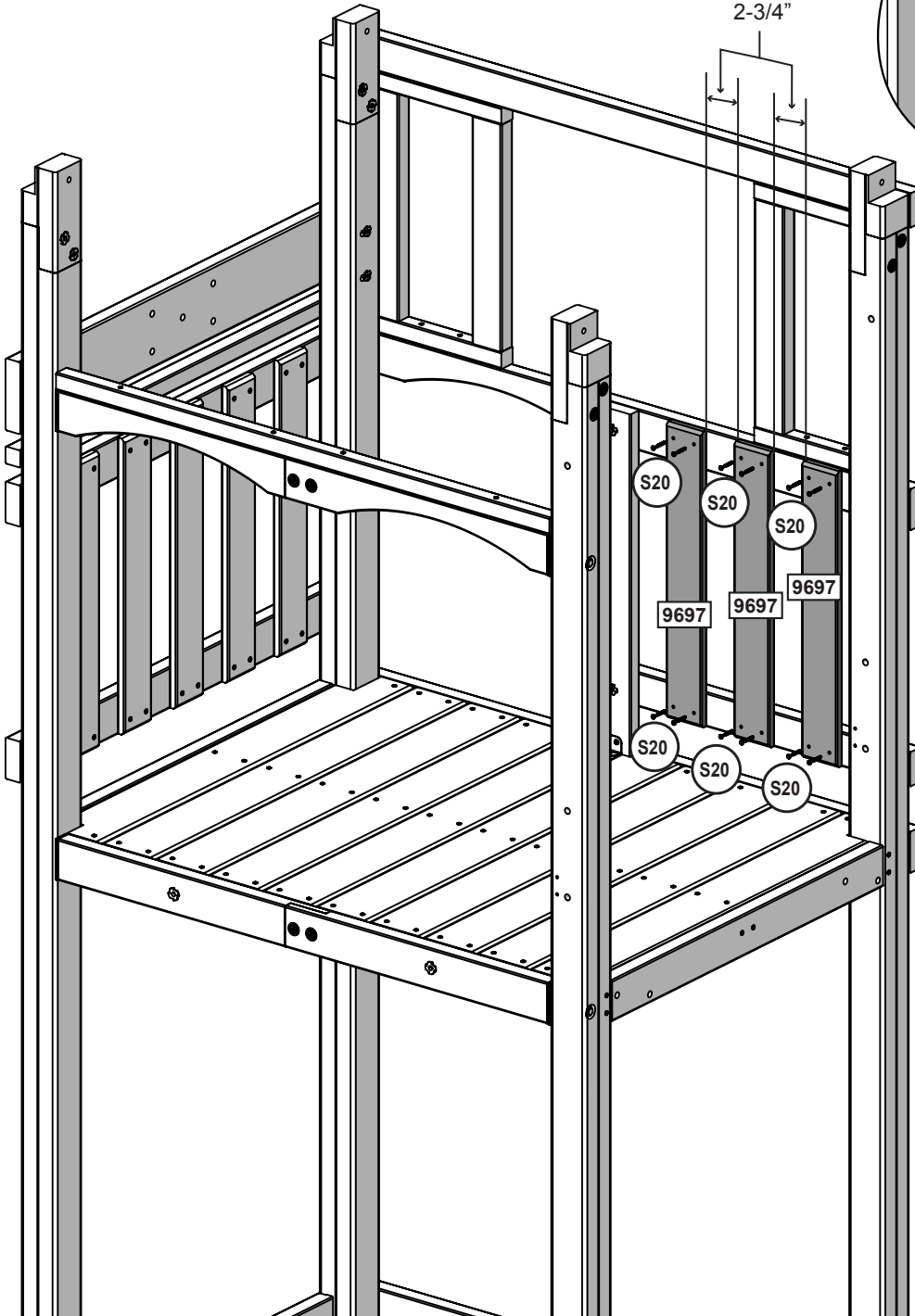


Center the first board

70 mm
2-3/4"



beveled edge faces out



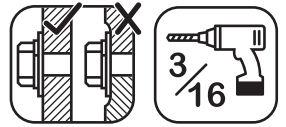
Wood Parts

3 x 15.9 x 76.2 x 549.0 mm (5/8" x 3" x 21-5/8")

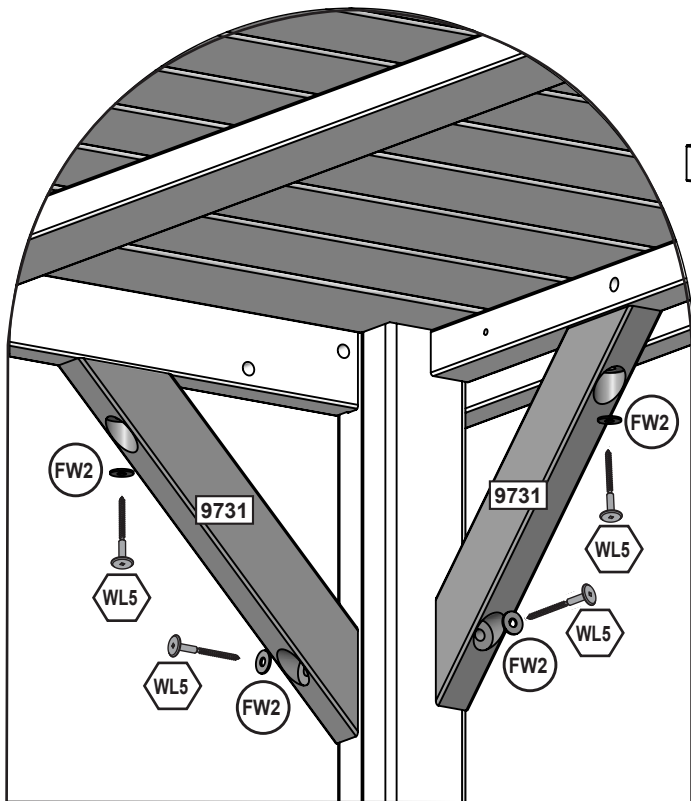
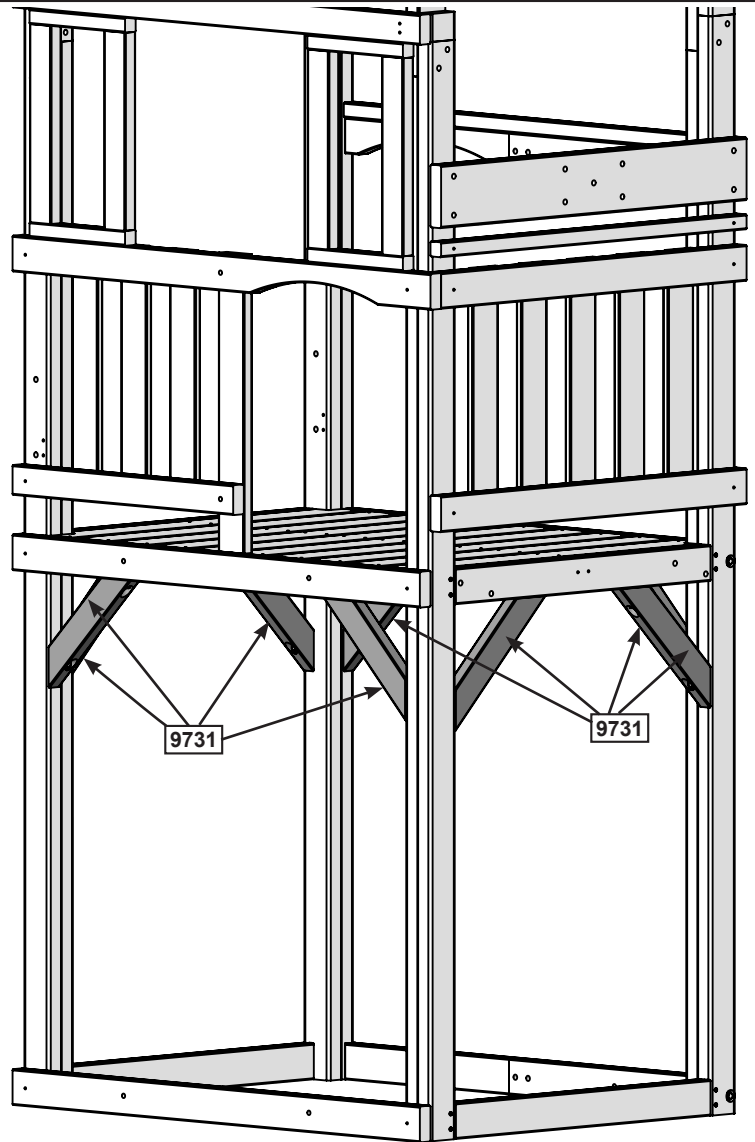
Hardware

12 x #8 x 35mm (#8 x 1-3/8")

Step 23



Pre-drill each hole using a 3/16" drill bit.



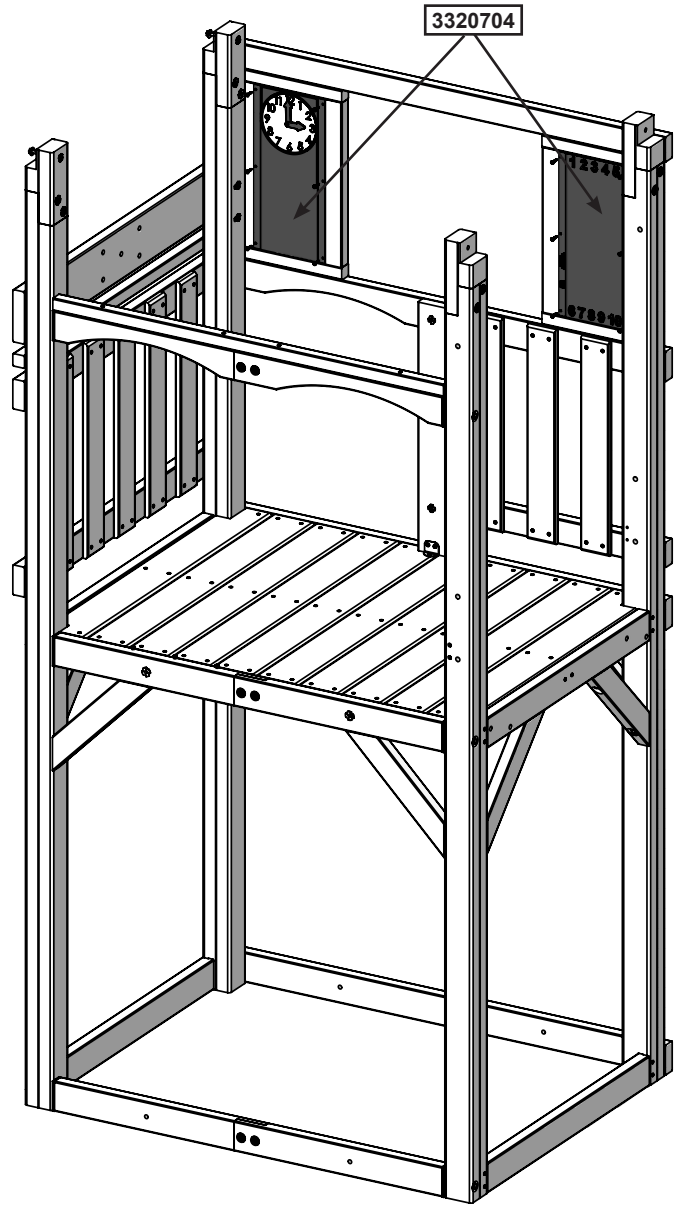
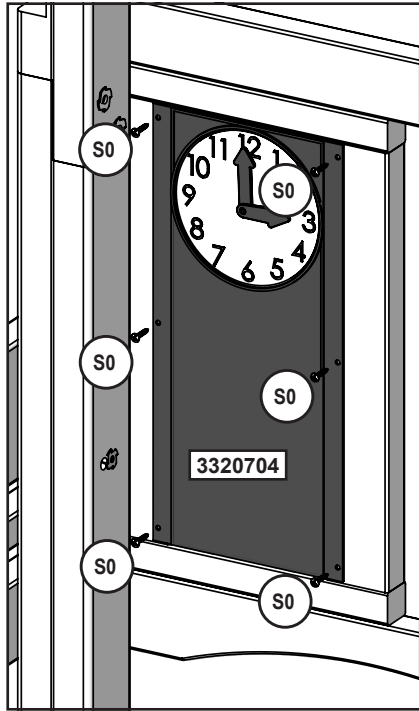
Wood Parts

8 x 31.8 x 63.5 x 381.0 mm (1-1/4" x 2-1/2" x 15")

Hardware

16 x 6.4mm x 63.5 mm (1/4 x 2-1/2")(FW2)


Step 24



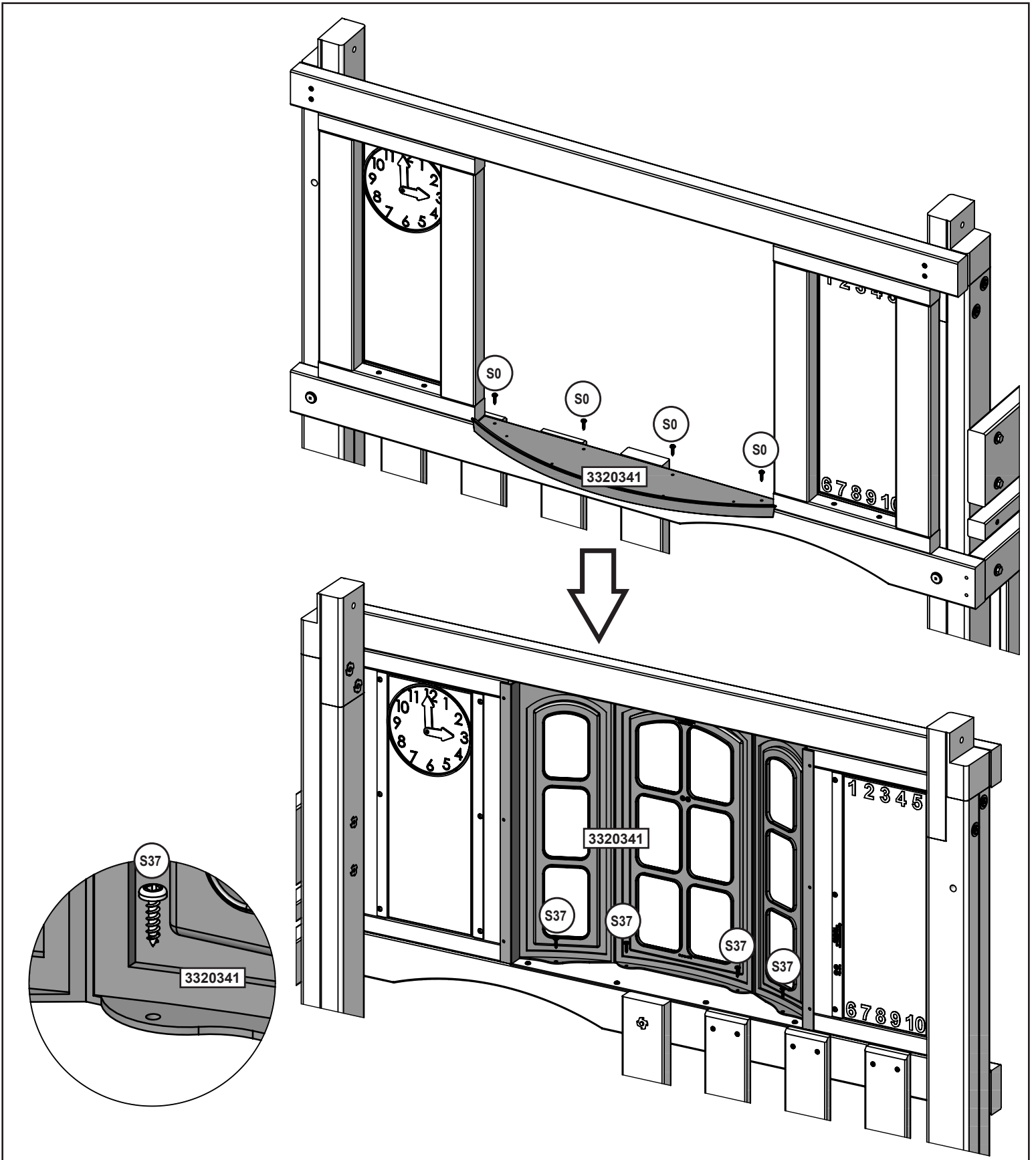
Hardware

12 x  #8 x 22.2mm (#8 x 7/8")

Other Parts

2 x 

Step 25



Hardware

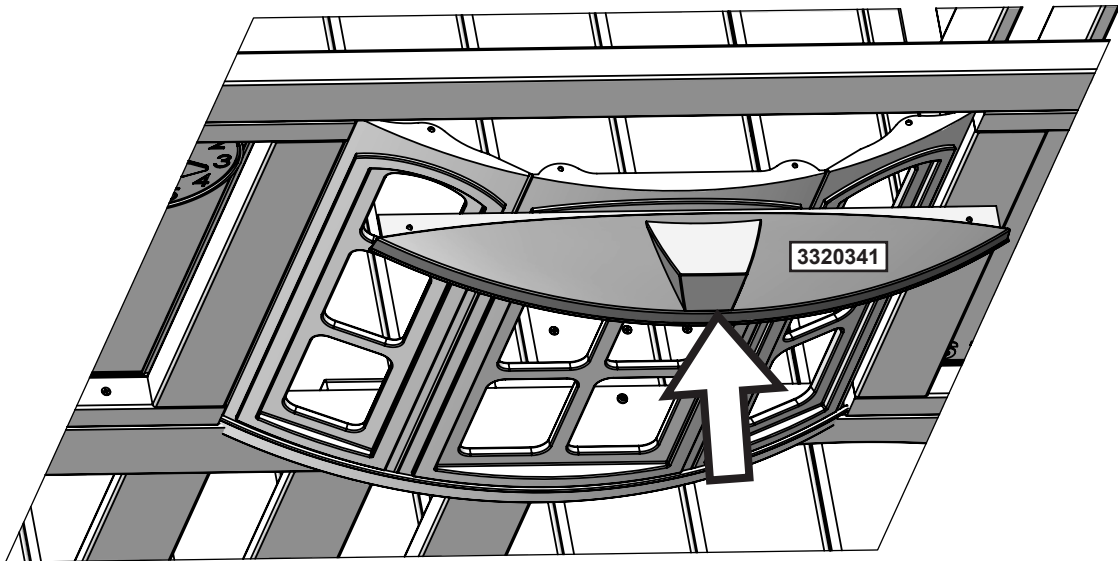
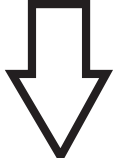
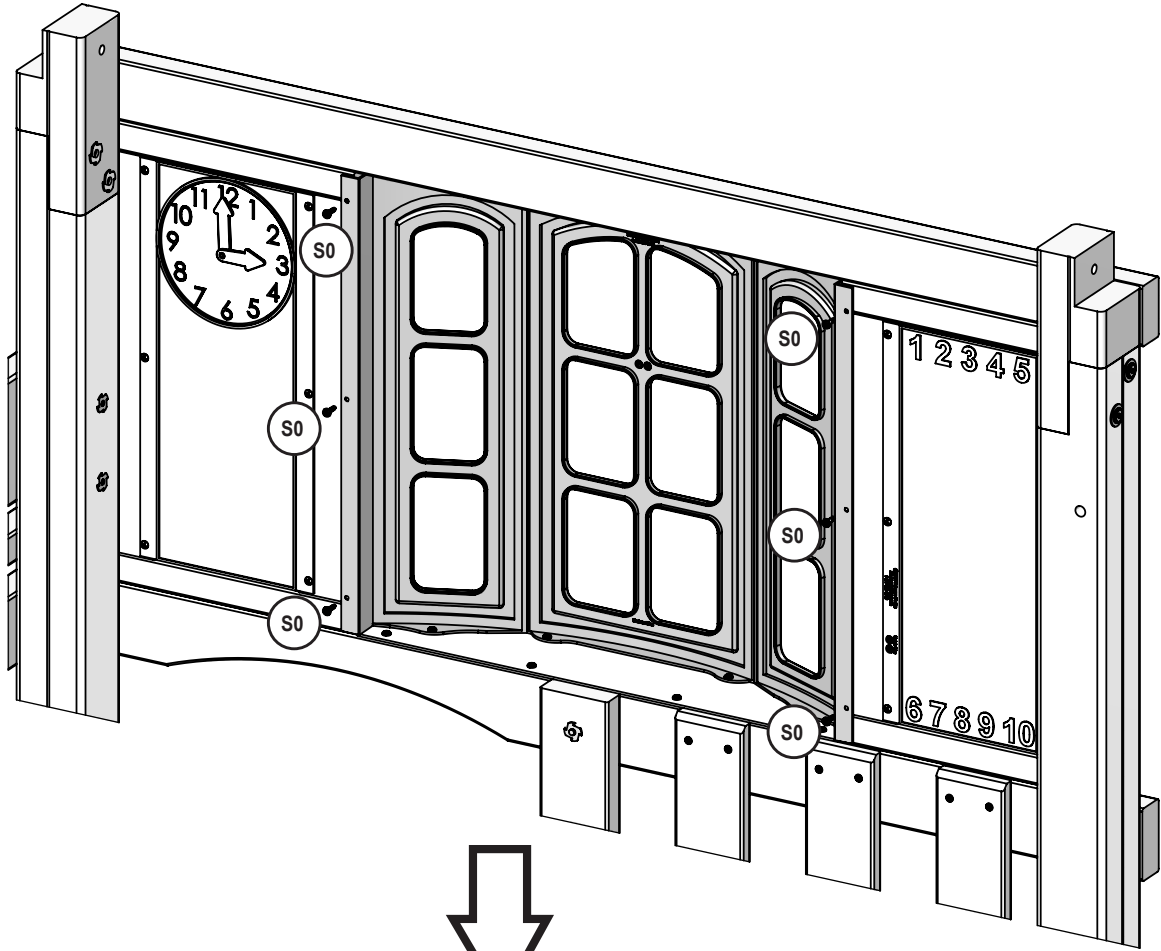
4 x (S37) #7 x 15.87mm (#7 x 5/8")

4 x (S0) #8 x 22.2mm (#8 x 7/8")

Other Parts

1 x 3320341

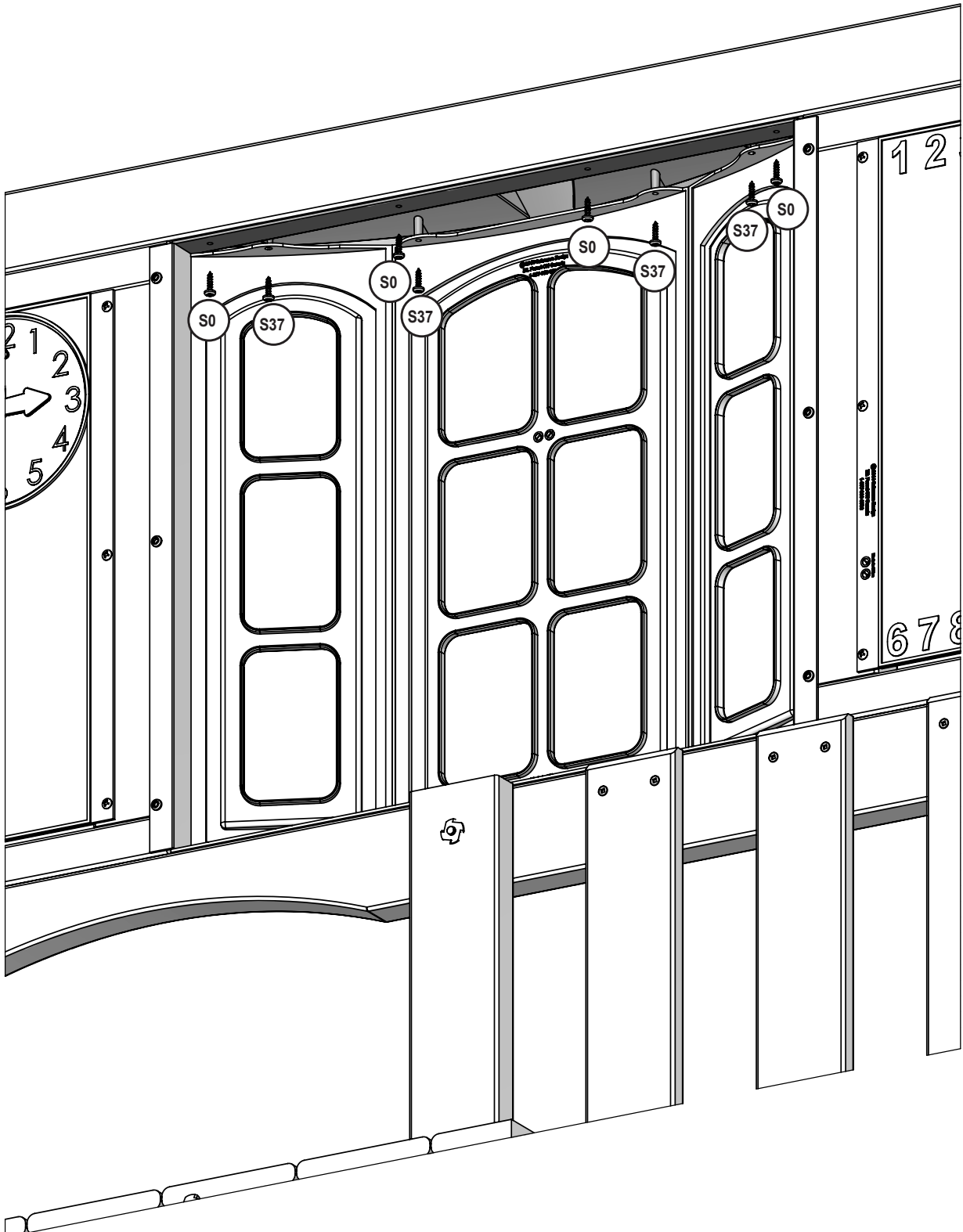
Step 26



Hardware

6 x  #8 x 22.2mm (#8 x 7/8")

Step 27

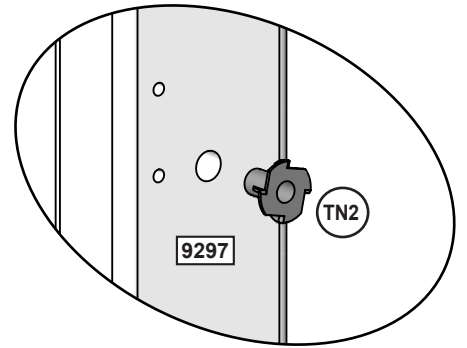
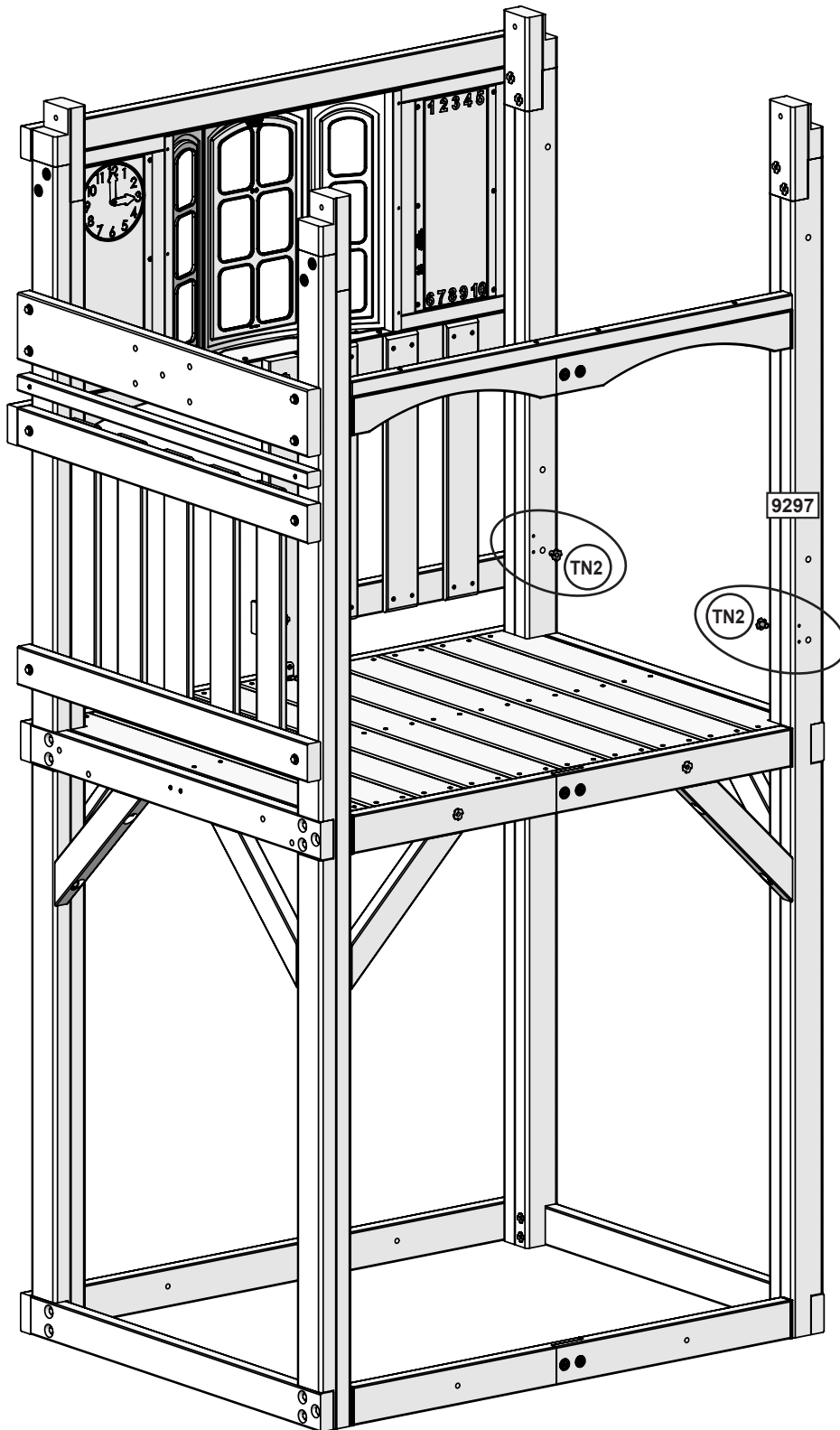


Hardware

4 x  #7 x 15.87mm (#7 x 5/8")

4 x  #8 x 22.2mm (#8 x 7/8")

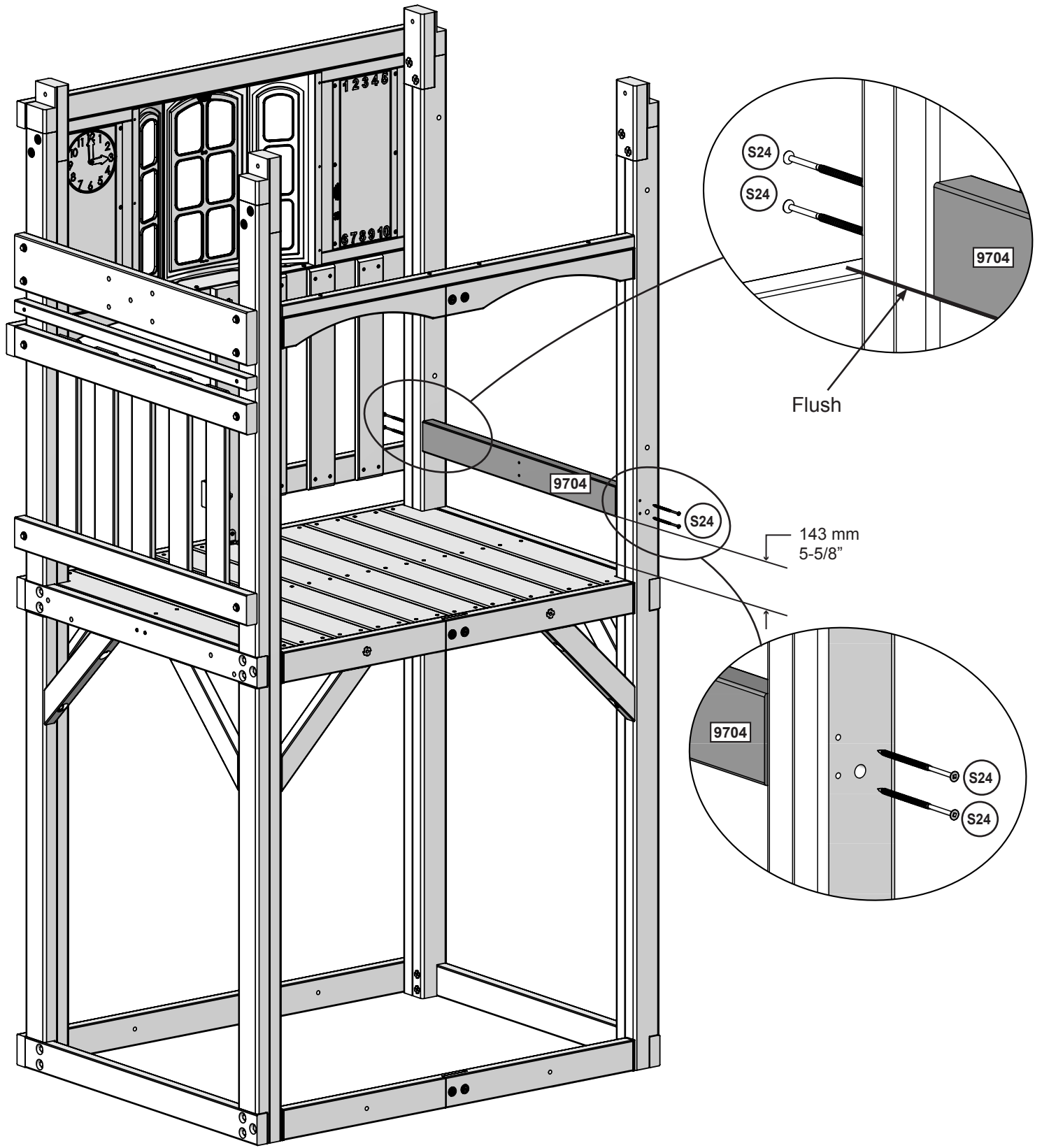
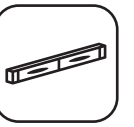
Step 28



Hardware

2 x 

Step 29



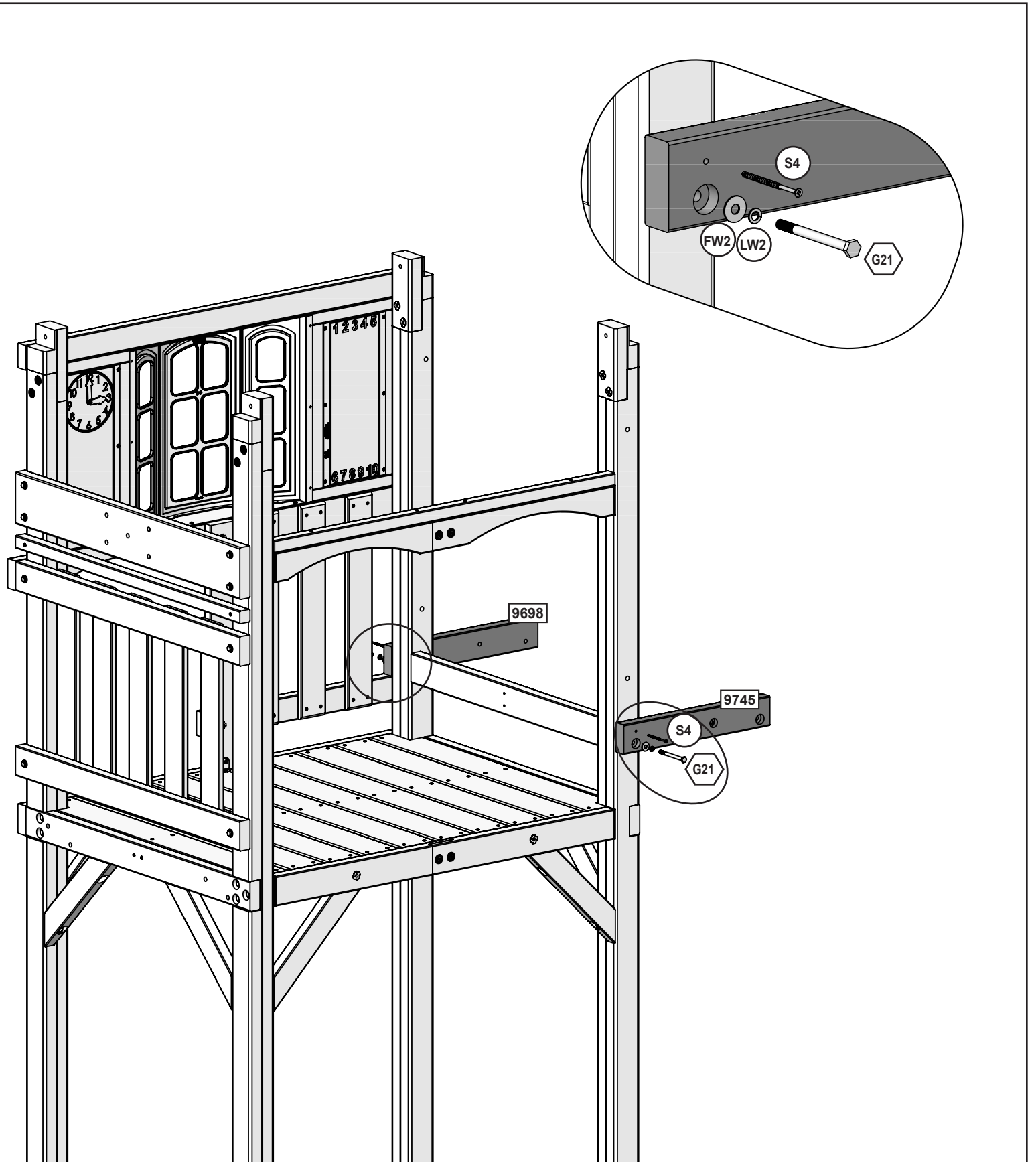
Wood Parts

1 x **9704** 31.8 x 76.2 x 759.9 mm (1-1/4" x 3" x 29-15/16")

Hardware

4 x **S24** #10 x 101.6mm (#10 x 4")

Step 30



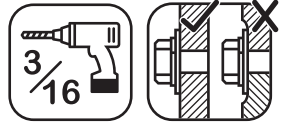
Wood Parts

- 1 x **9698** 31.8 x 76.2 x 457.2 mm (1-1/4" x 3" x 18")
- 1 x **9745** 31.8 x 76.2 x 457.2 mm (1-1/4" x 3" x 18")

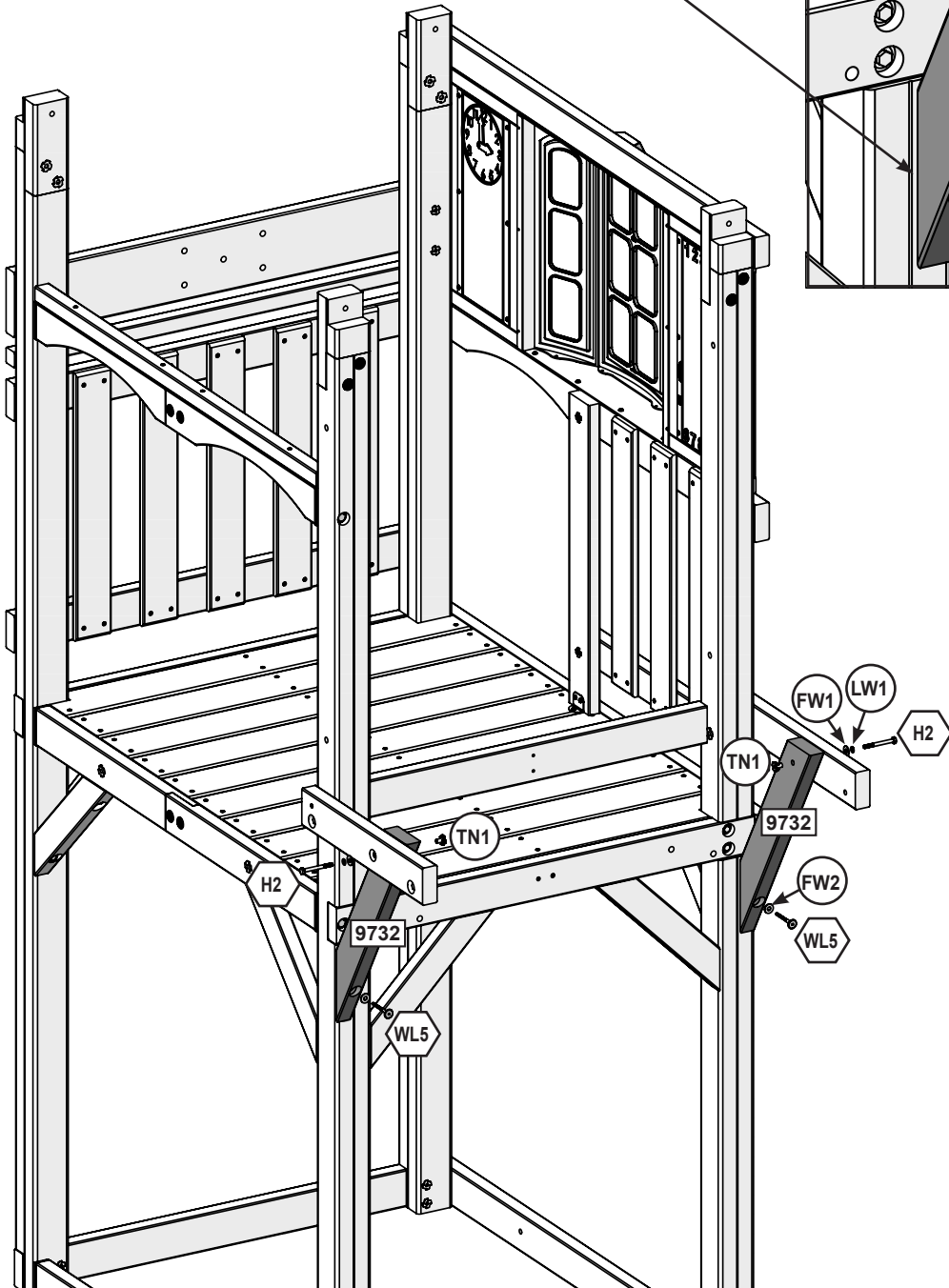
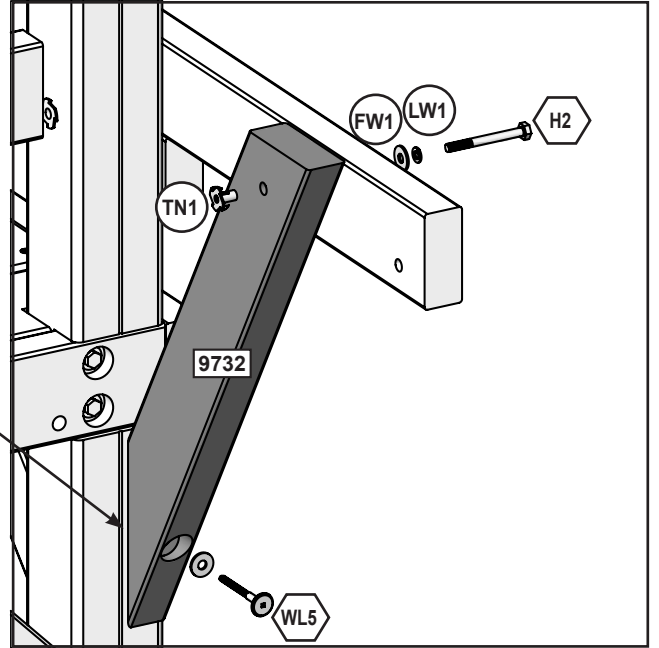
Hardware

- 2 x **G21** 7.9mm x 95 mm (5/16 x 3-3/4") (LW2,FW2)
- 2 x **S4** #8 x 76.2mm (#8 x 3")

Step 31



Pre-drill each hole using a 3/16" drill bit.



Wood Parts

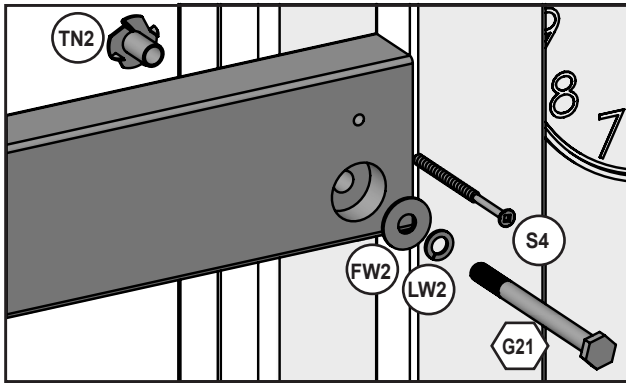
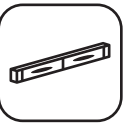
2 x **9732** 31.8 x 76.2 x 530.0 mm (1-1/4" x 3" x 20 7/8")

Hardware

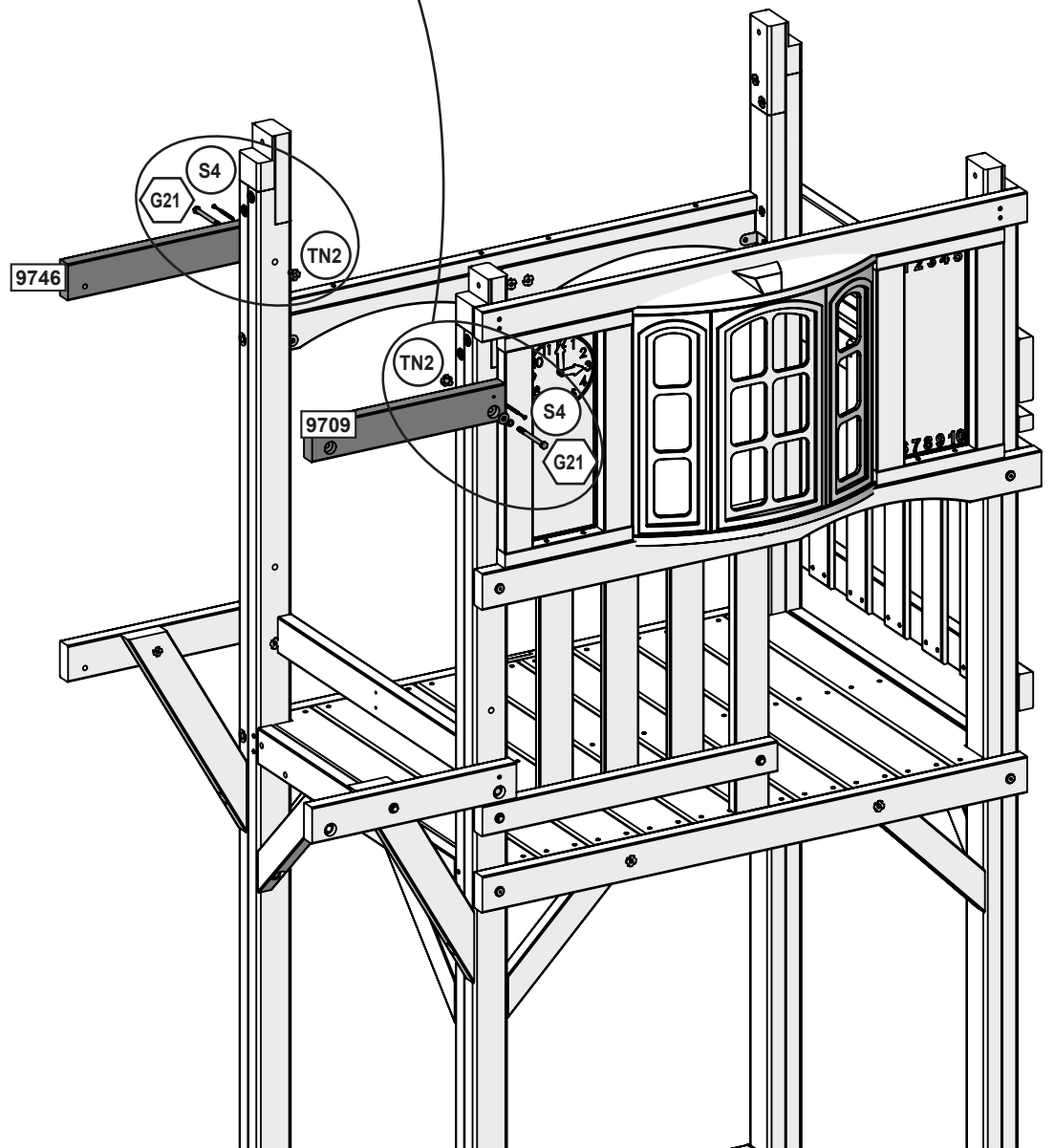
2 x **WL5** 6.4mm x 63.5 mm (1/4 x 2-1/2")(FW2)

2 x **H2** 6.4mm x 50.8mm (1/4 x 2")(FW1, LW1, TN1)

Step 32



Shorter Rail goes against Chalk Clock frame.



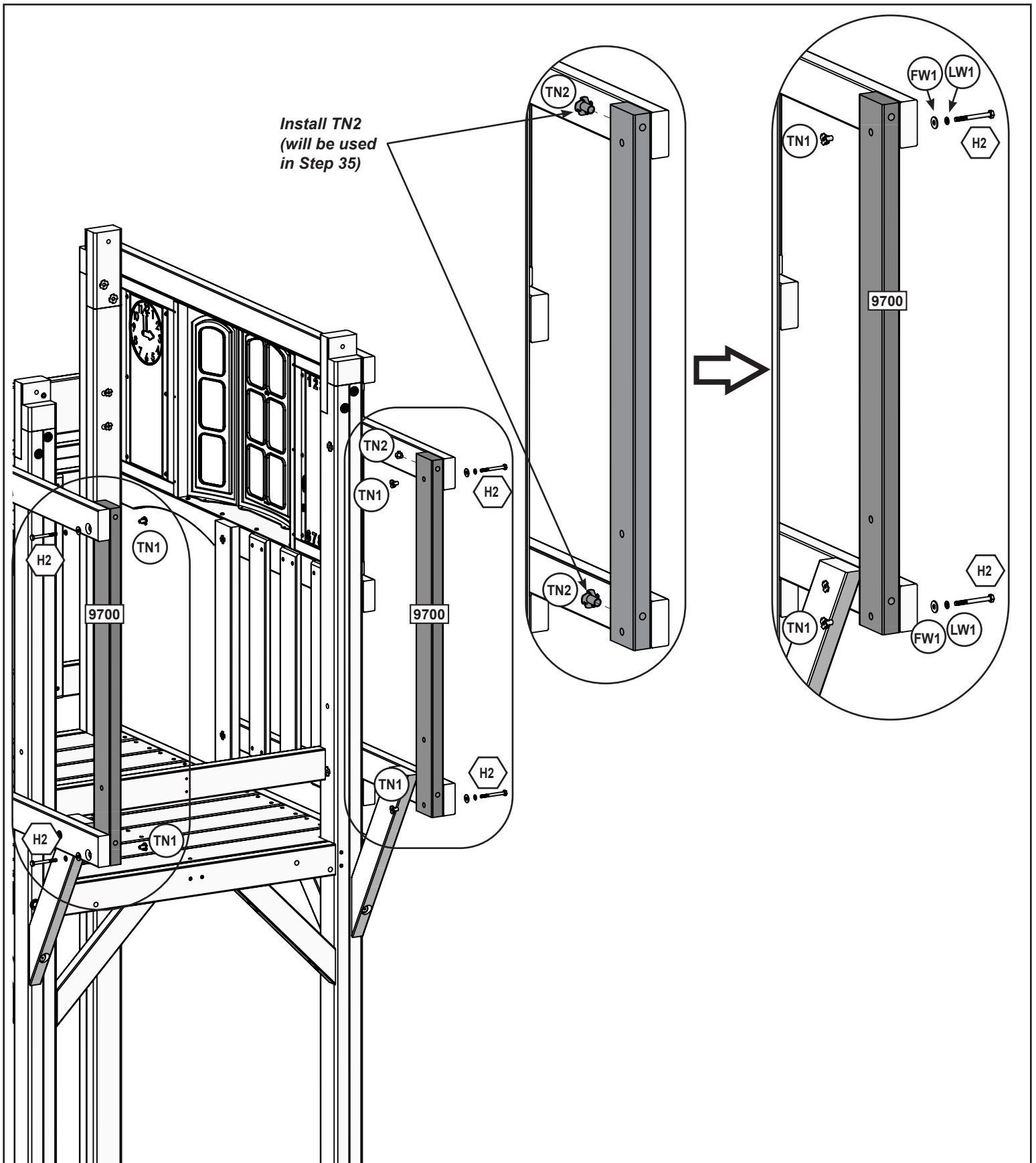
Wood Parts

- 1 x 31.8 x 76.2 x 431.8 mm (1-1/4" x 3" x 17")
- 1 x 31.8 x 76.2 x 457.2 mm (1-1/4" x 3" x 18")

Hardware

- 2 x 7.9mm x 95 mm (5/16 x 3-3/4") (LW2, FW2 , TN2)
- 2 x #8 x 76.2mm (#8 x 3")

Step 33



Wood Parts

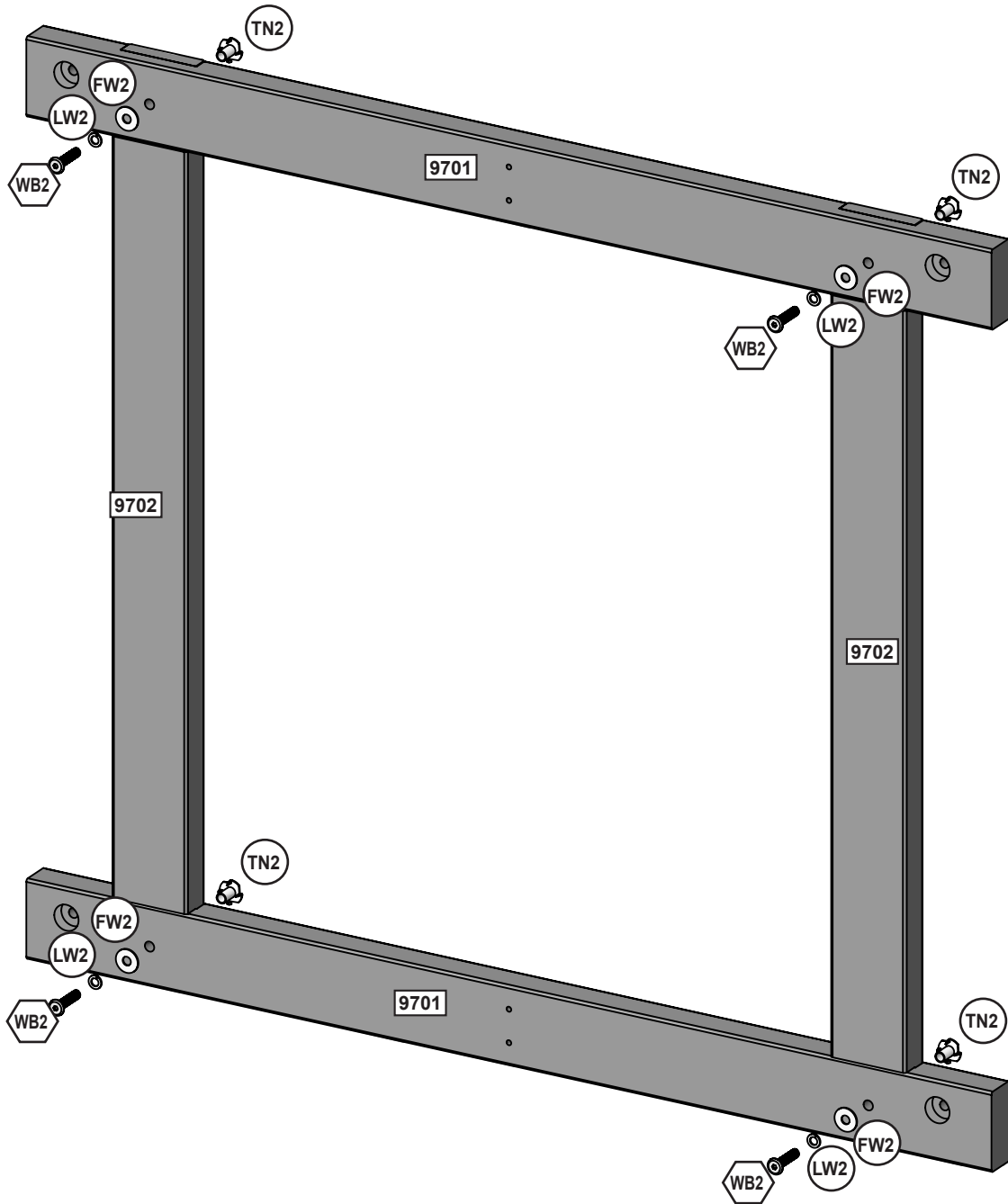
2 x **9700** 31.8 x 76.2 x 876.3 mm (1-1/4" x 3" x 34-1/2")

Hardware

4 x **H2** 6.4mm x 50.8 mm (1/4 x 2") (LW1,FW1,TN1)

4 x **TN2** 7.9 mm (5/16")

Step 34



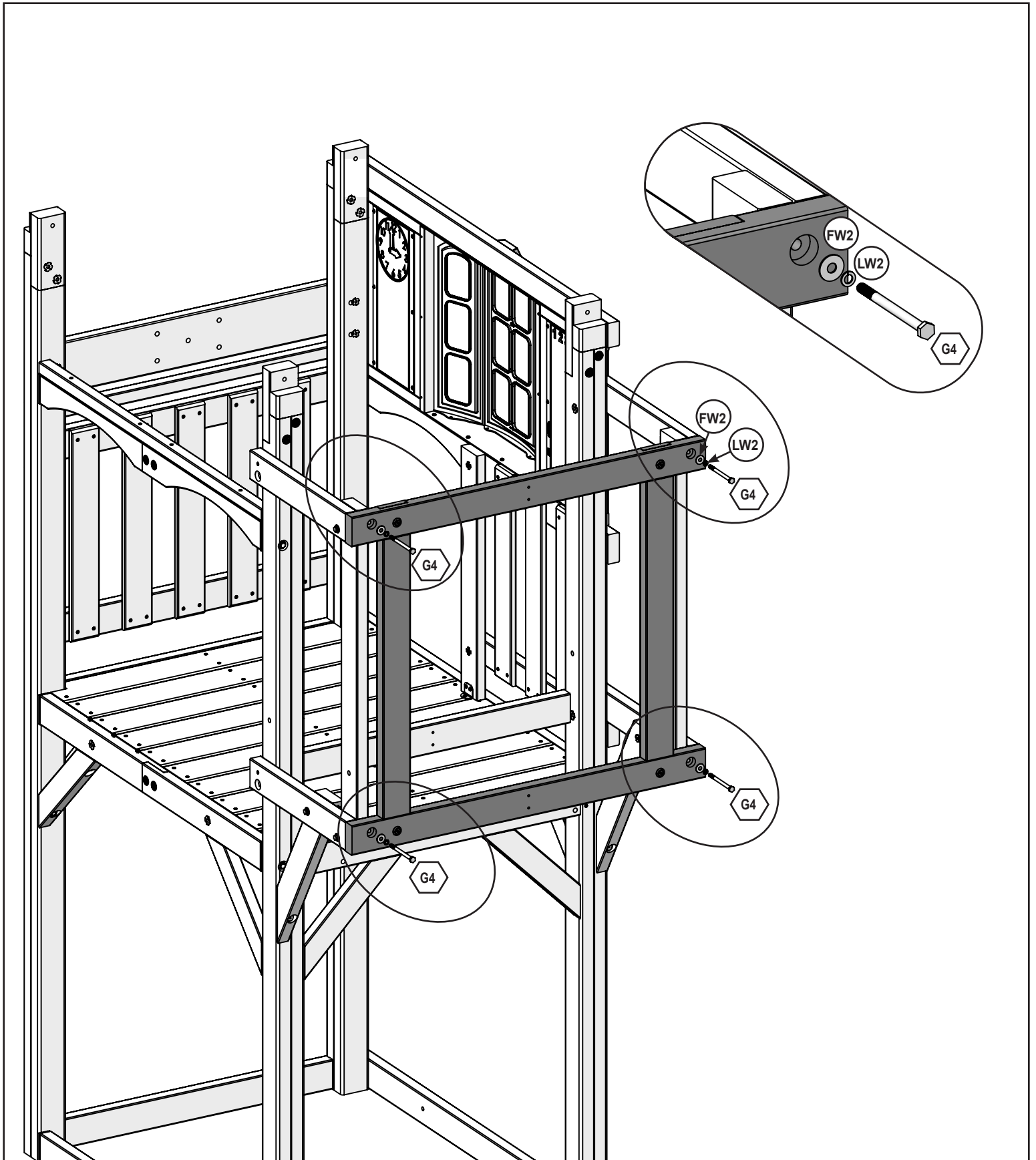
Wood Parts

- 2 x **9701** 31.8 x 76.2 x 977.9 mm (1-1/4" x 3" x 38-1/2")
- 2 x **9702** 31.8 x 76.2 x 876.3 mm (1-1/4" x 3" x 34-1/2")

Hardware

- 4 x **WB2** 7.9mm x 35 mm (5/16 x 1-3/8") (FW2, LW2, TN2)

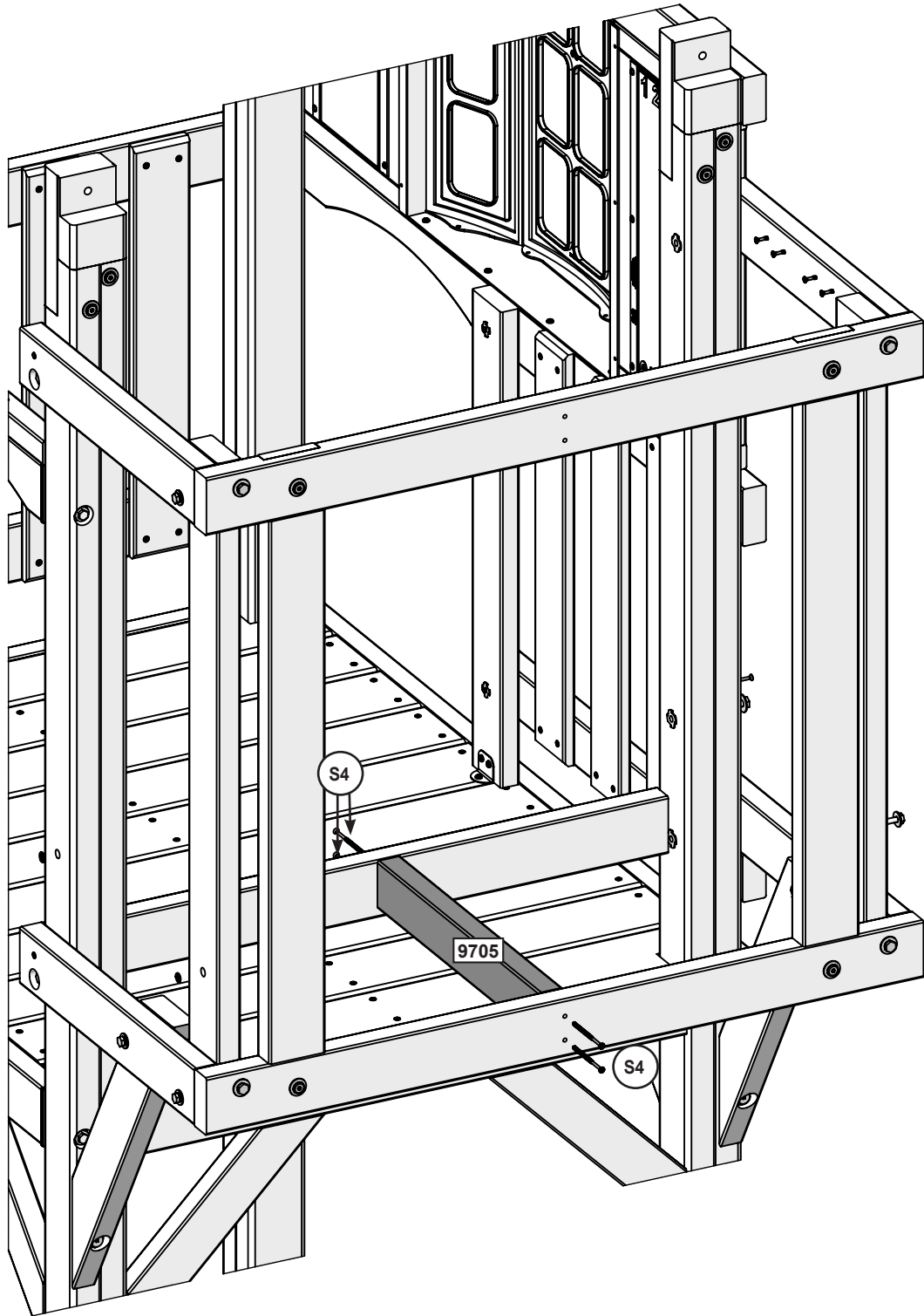
Step 35



Hardware

4 x  7.9mm x 101.6mm (5/16 x 4") (LW2, FW2)

Step 36



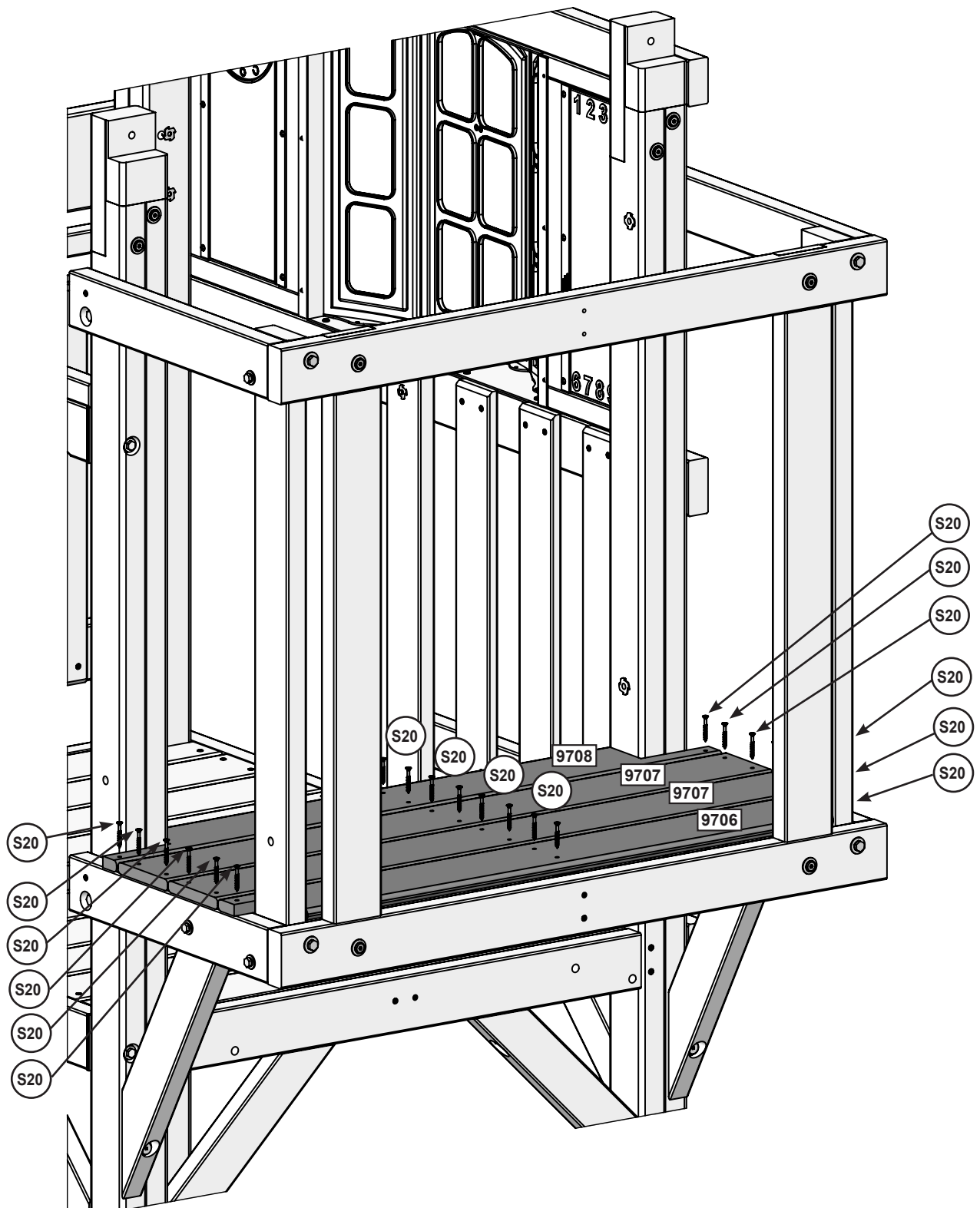
Wood Parts

1 x **9705** 31.8 x 63.5 x 424.4 mm (1-1/4" x 2 1/2" x 16-11/16")

Hardware

4 x **S4** #8 x 76.2mm (#8 x 3")

Step 37



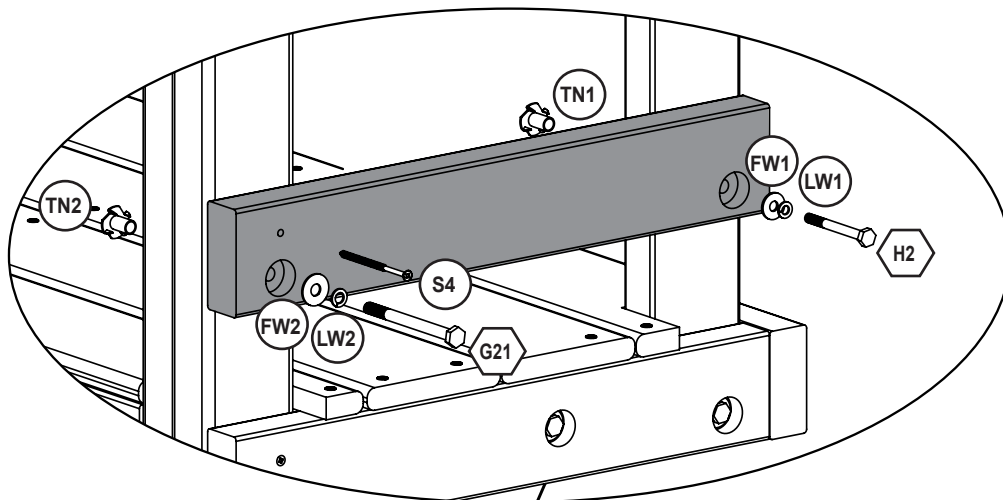
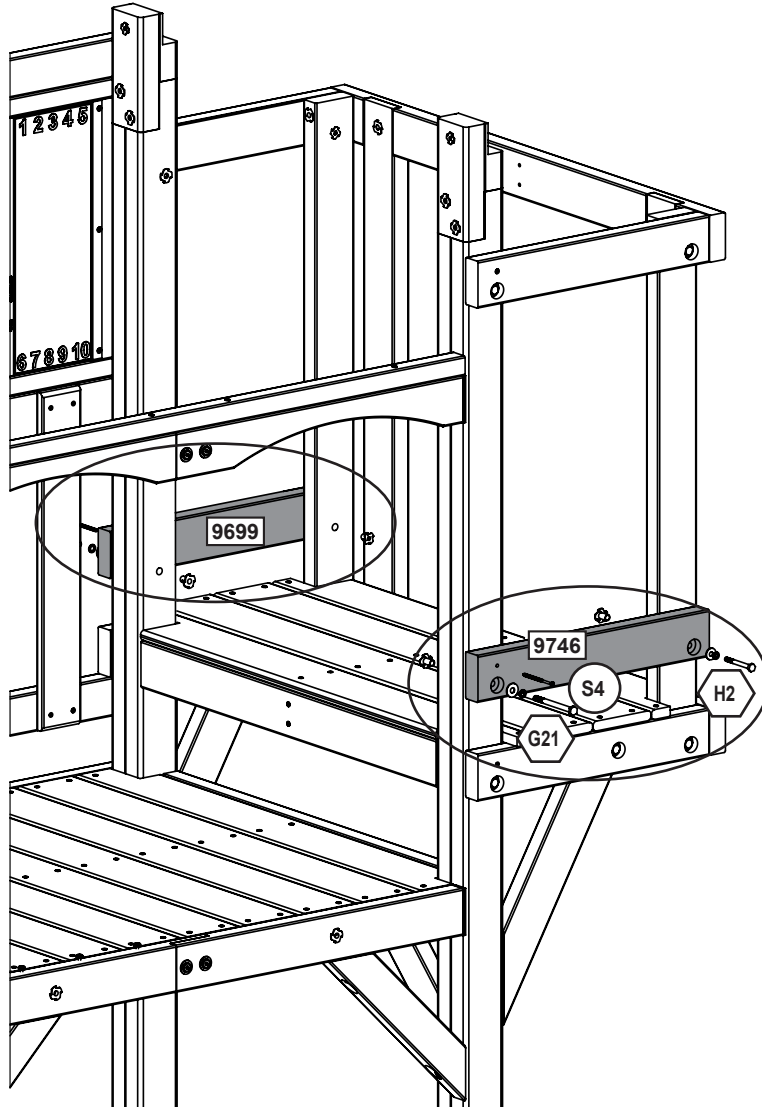
Wood Parts

- 1 x 9706 15.9 x 114.3 x 977.9 mm (5/8" x 4-1/2" x 38-1/2")
- 2 x 9707 15.9 x 114.3 x 977.9 mm (5/8" x 4-1/2" x 38-1/2")
- 1 x 9708 15.9 x 109.0 x 977.9 mm (5/8" x 4-5/16" x 38-1/2")

Hardware

- 24 x S20 #8 x 35mm (#8 x 1-3/8")

Step 38



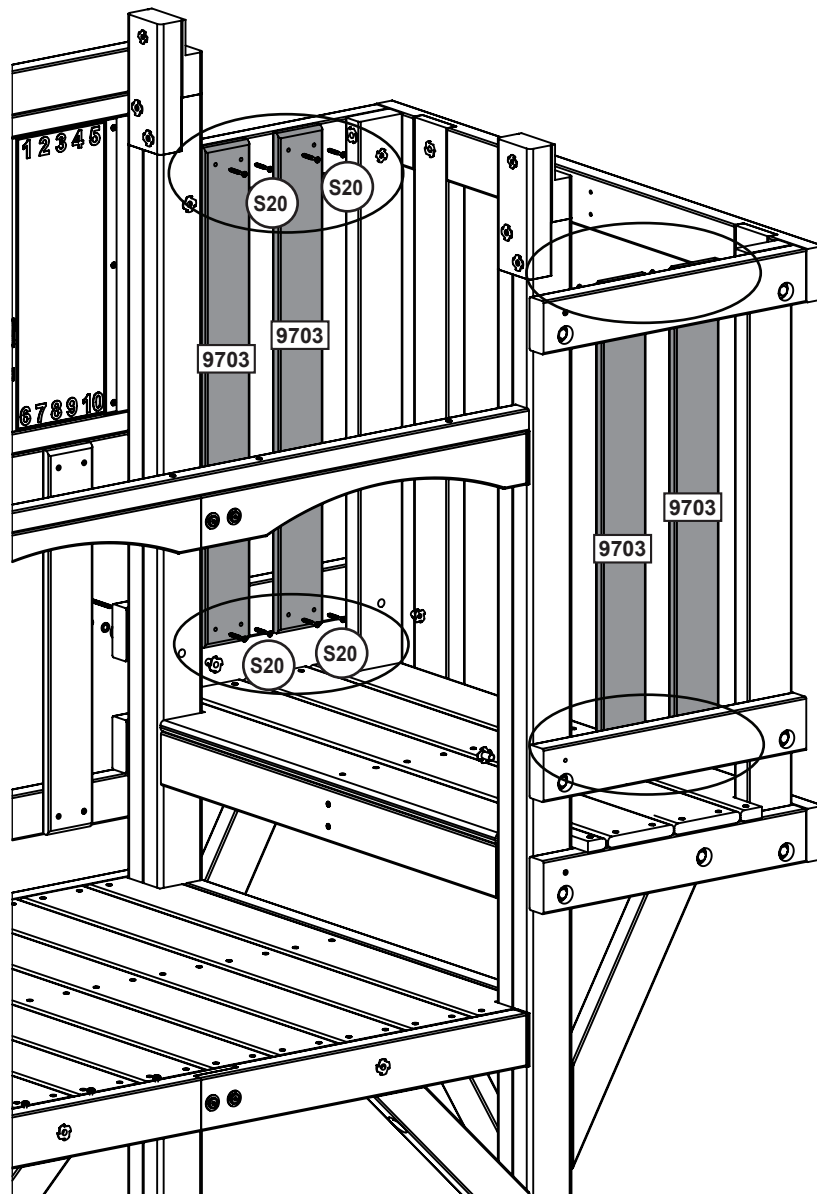
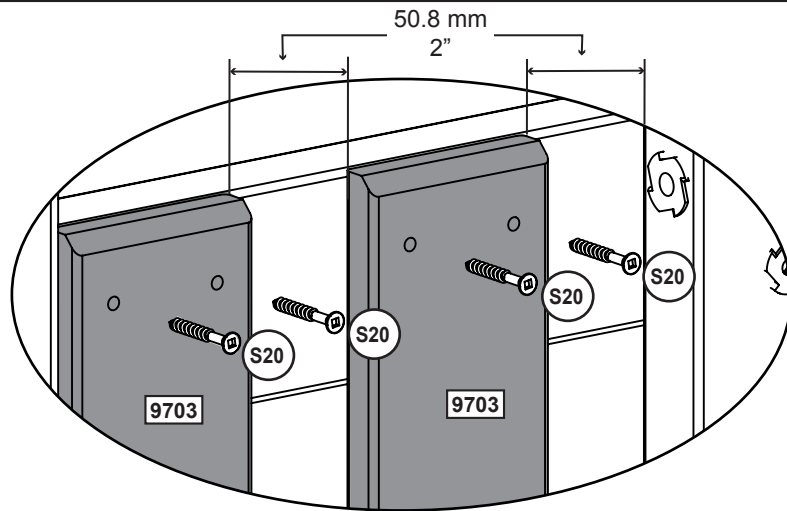
Wood Parts

- 1 x 31.8 x 76.2 x 457.2 mm (1-1/4" x 3" x 18")
- 1 x 31.8 x 76.2 x 457.2 mm (1-1/4" x 3" x 18")

Hardware

- 2 x 6.4mm x 50.8 mm (1/4 x 2") (LW1,FW1, TN1)
- 2 x 7.9mm x 95 mm (5/16 x 3-3/4") (LW2, FW2, TN2)
- 2 x #8 x 76.2mm (#8 x 3")

Step 39



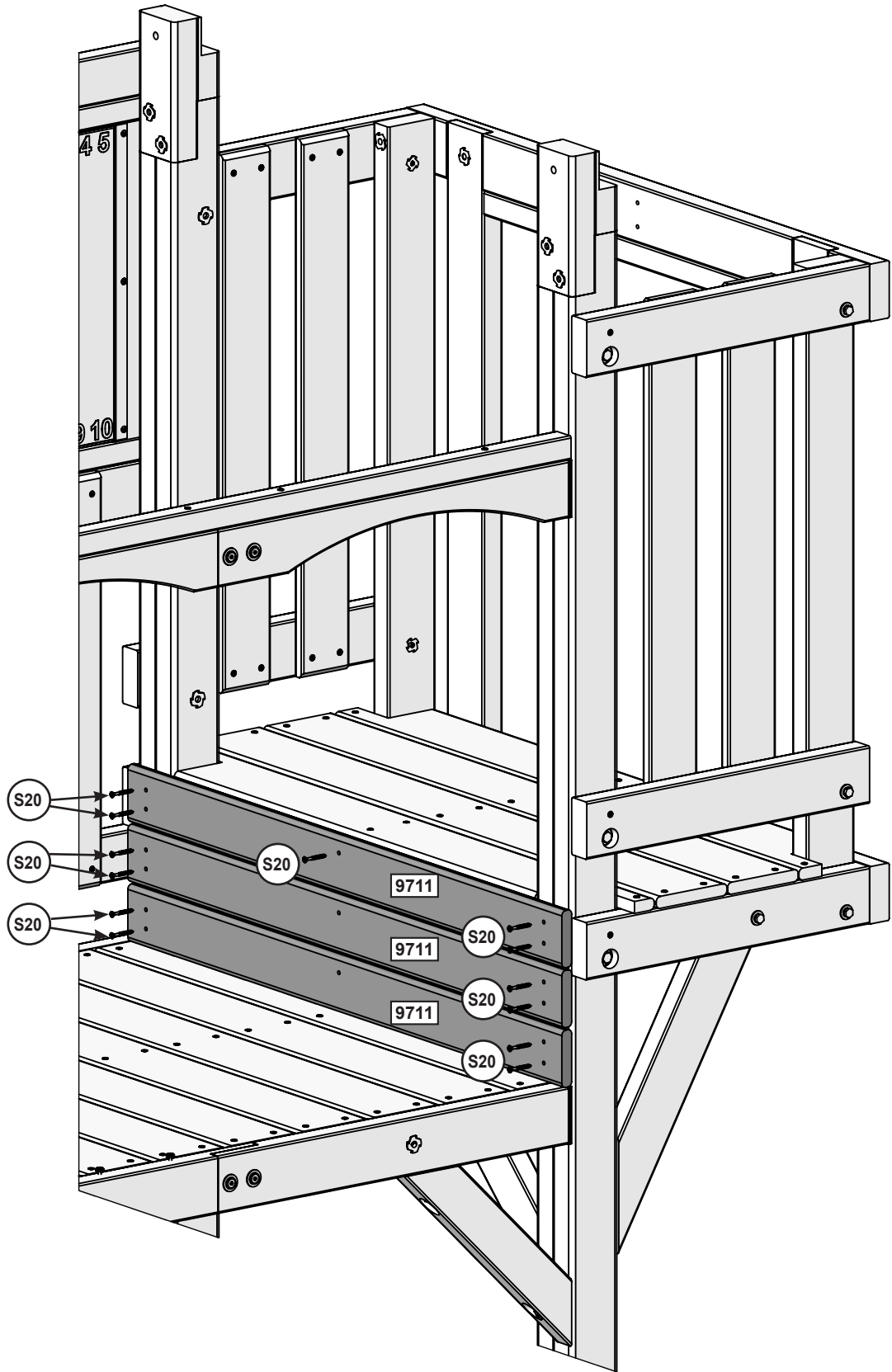
Wood Parts

4 x 9703 15.9 x 76.2 x 715.1 mm (5/8" x 3" x 28-1/8")

Hardware

16 x S20 #8 x 35mm (#8 x 1-3/8")

Step 40



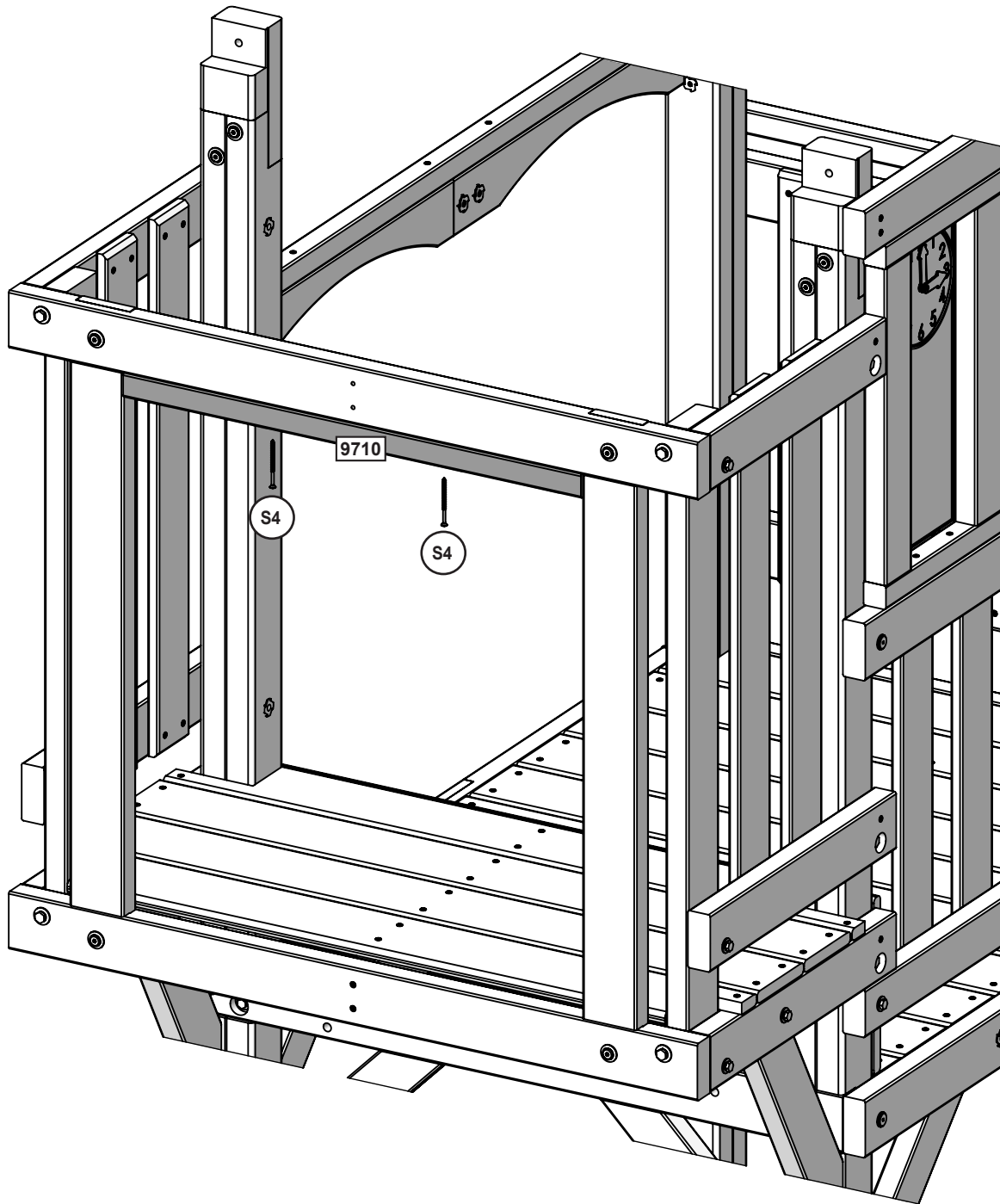
Wood Parts

3 x 9711 15.9 x 76.2 x 914.4 mm (5/8" x 3" x 36")

Hardware

13 x S20 #8 x 35mm (#8 x 1-3/8")

Step 41



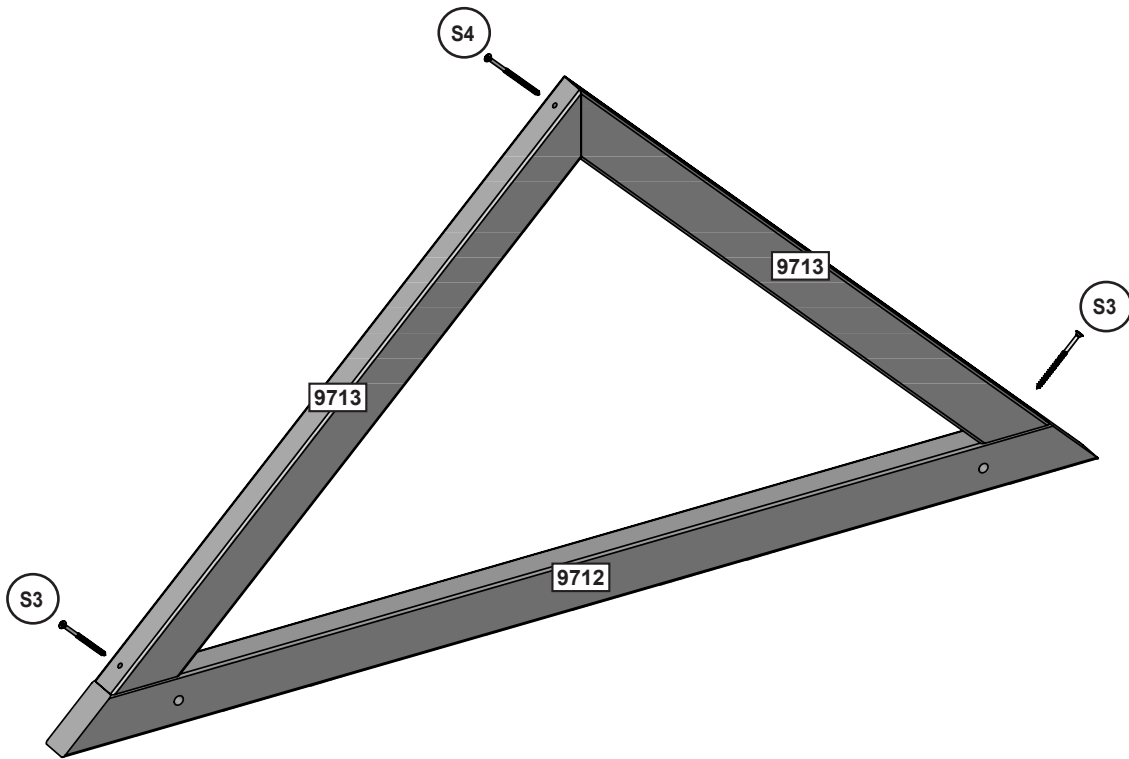
Wood Parts

1 x  31.8 x 31.8 x 650.0 mm (1-1/4" X 1 1/4" X 25-9/16")

Hardware

2 x  S4 #8 x 76.2mm (#8 x 3")

Step 42 x 2



Wood Parts

2 x 9712 31.8 x 50.8 x 1079.5 mm (1-1/4" x 2" x 42-1/2")

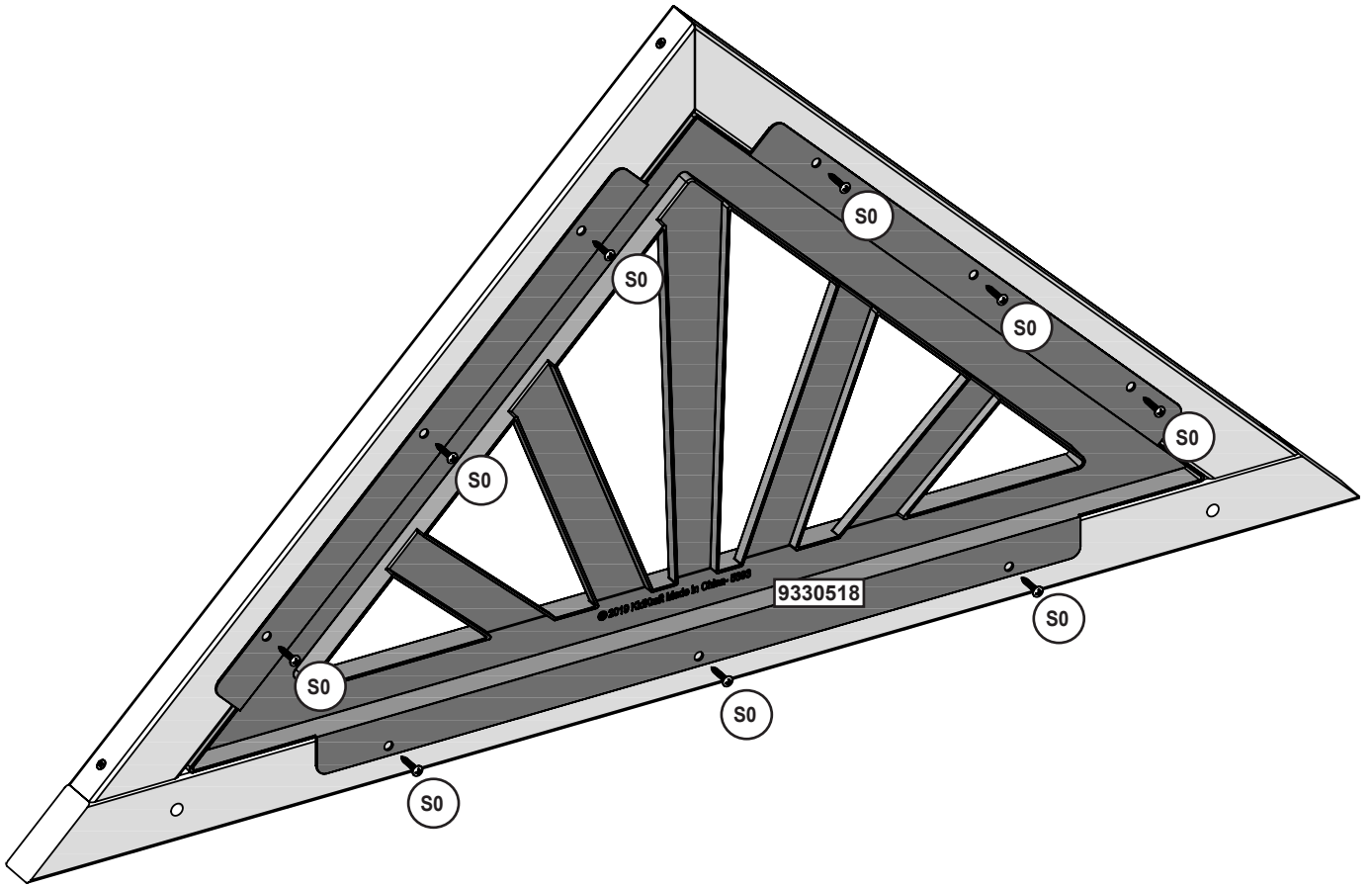
4 x 9713 31.8 x 50.8 x 691.1 mm (1-1/4" x 2" x 27-3/16")

Hardware

4 x S3 #8 x 64mm (#8 x 2-1/2")

2 x S4 #8 x 76.2mm (#8 x 3")

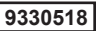
Step 43 x 2



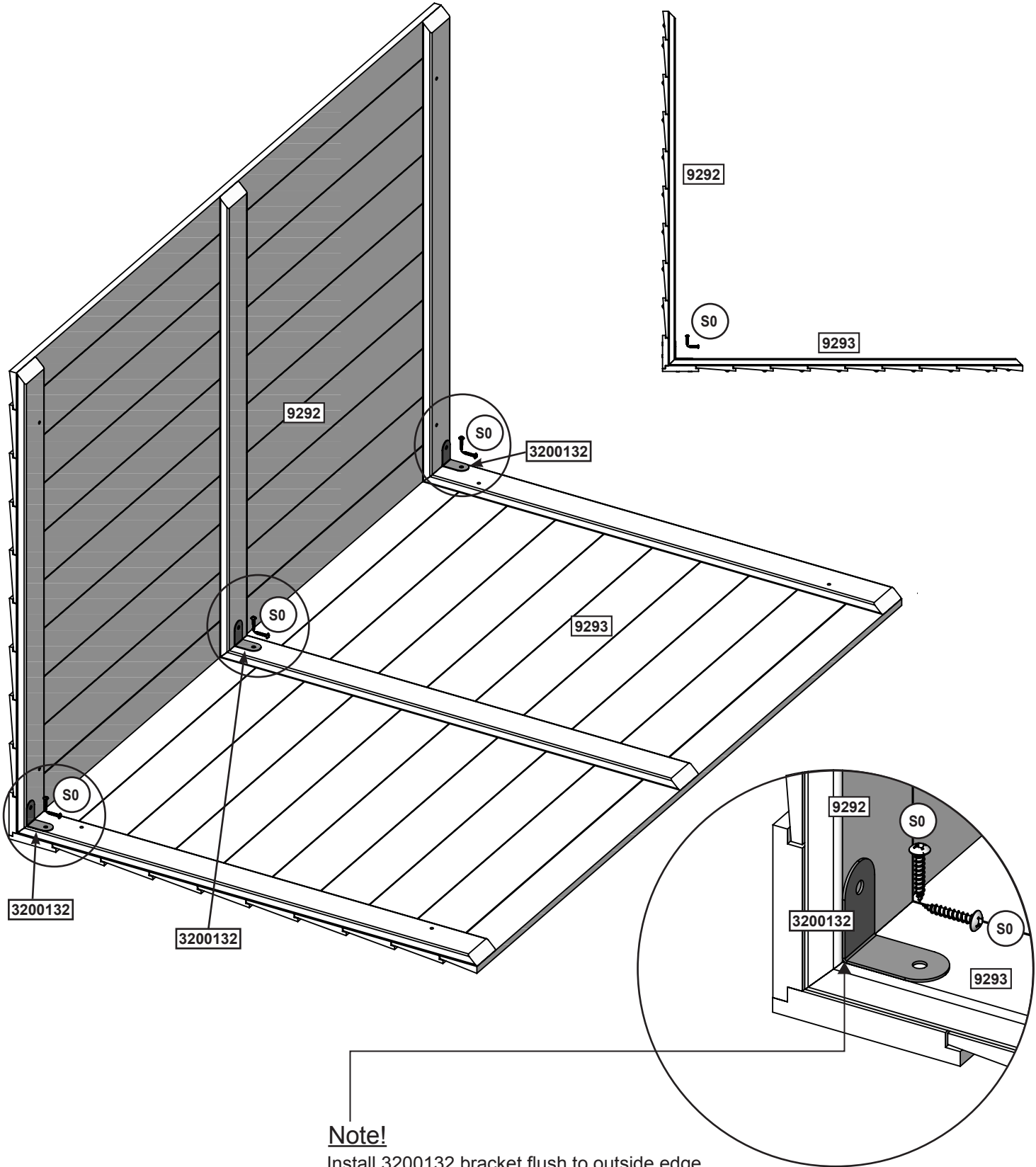
Hardware

18 x  #8 x 22.2mm (#8 x 7/8")

Other Parts

2 x 

Step 44



Note!
Install 3200132 bracket flush to outside edge.

Wood Parts

- 1 x 9292 28.6 x 1270 x 801.7 mm (1-1/8" x 50" x 31-13/16")
- 1 x 9293 28.6 x 1270 x 801.7 mm (1-1/8" x 50" x 31-13/16")

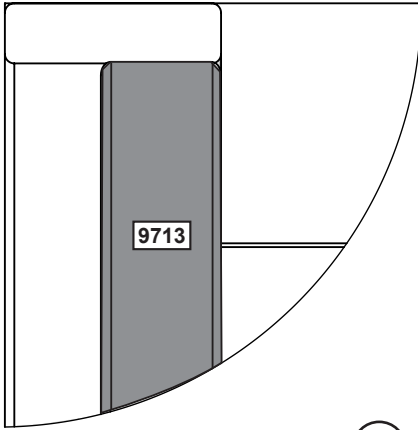
Hardware

- 6 x S0 #8 x 22.2mm (#8 x 7/8")

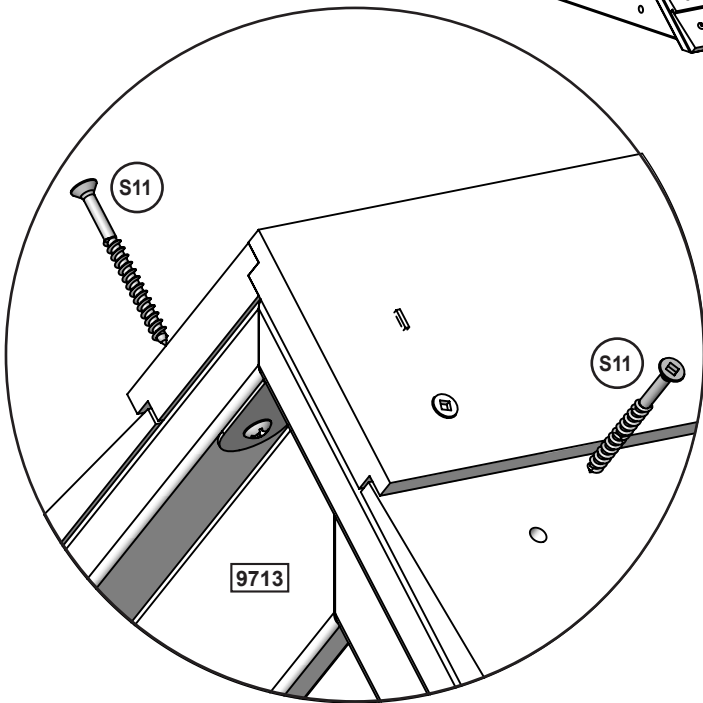
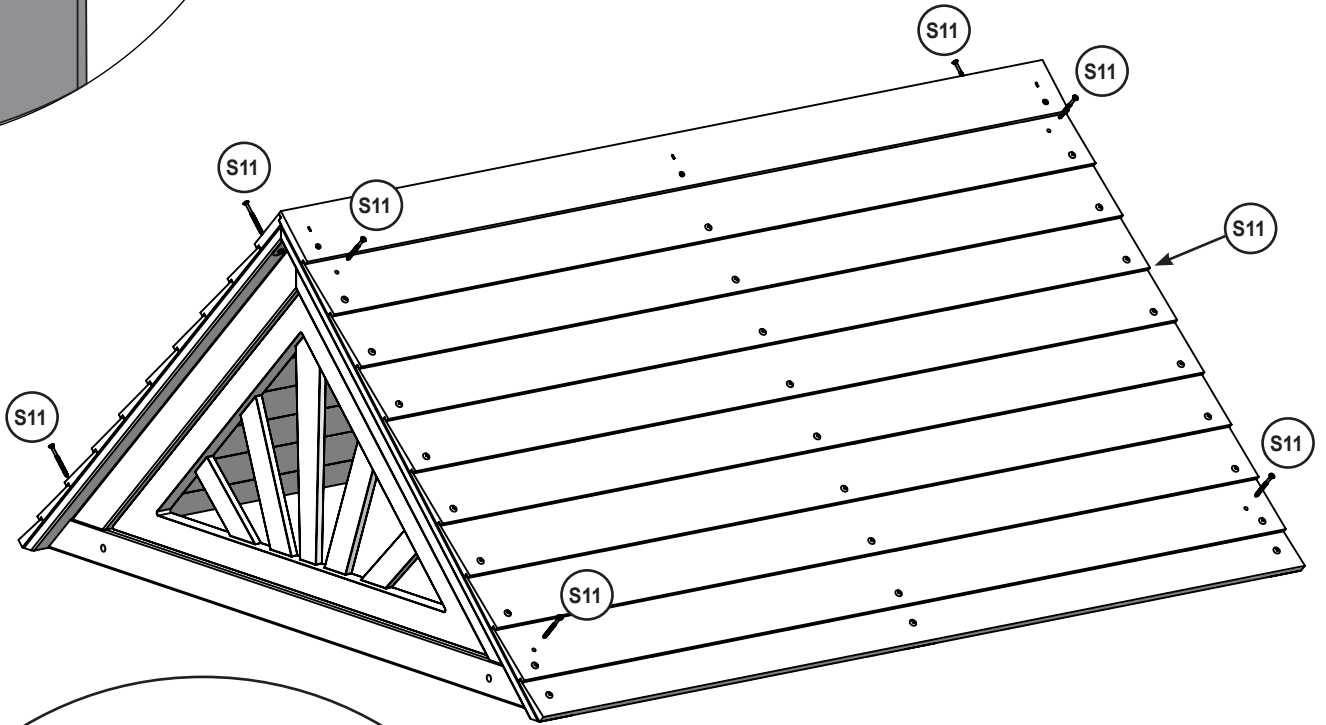
Other Parts

- 3 x 3200132

Step 45



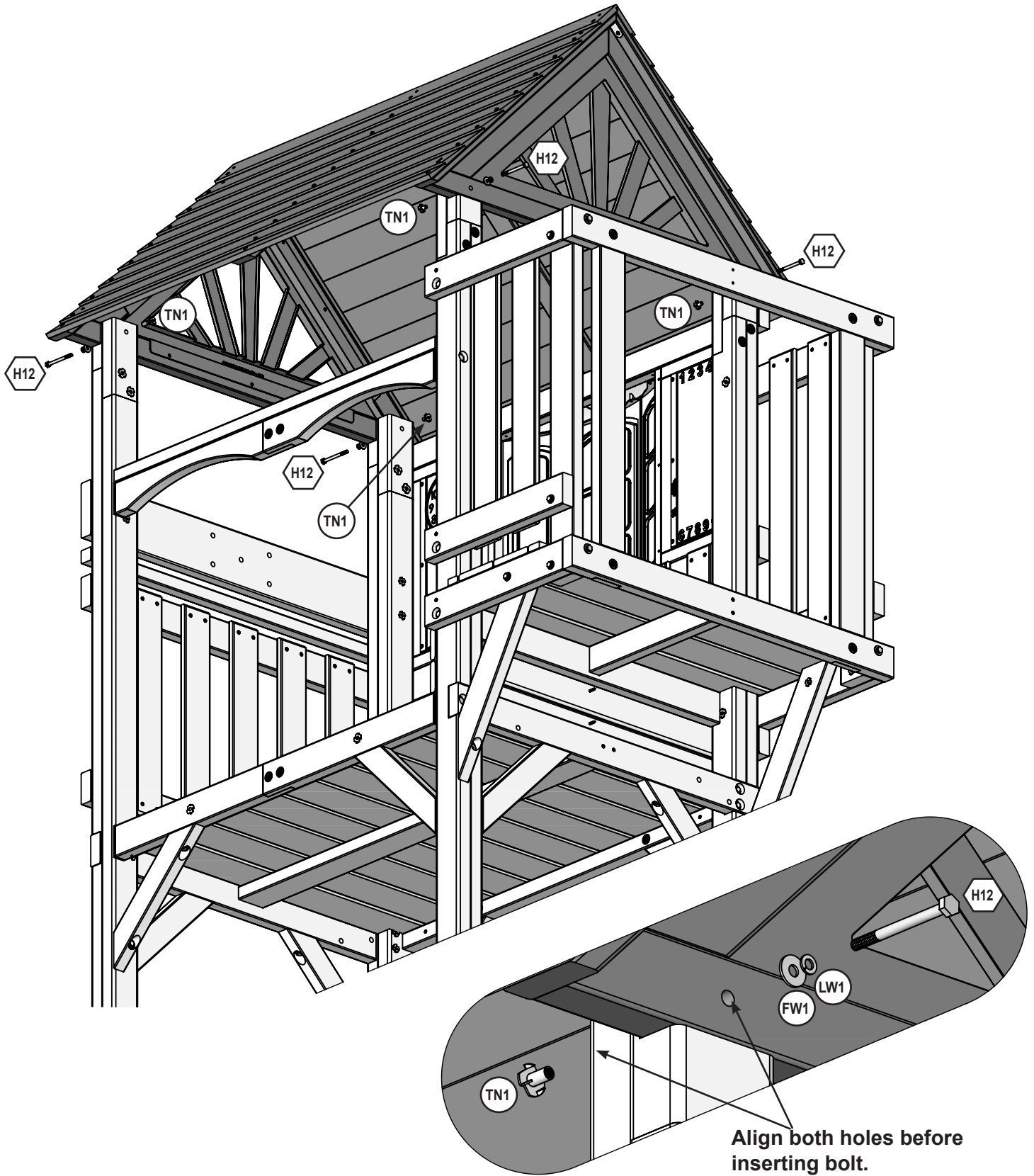
Gables should be flush to inside edges on both sides



Hardware

8 x  #8 x 50.8mm (#8 x 2")

Step 46



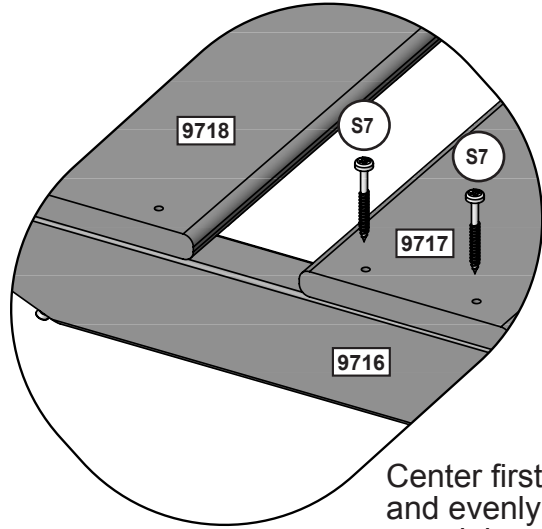
Hardware

4 x  6.4mm x 76.2 mm (1/4 x 3") (FW1, LW1, TN1)

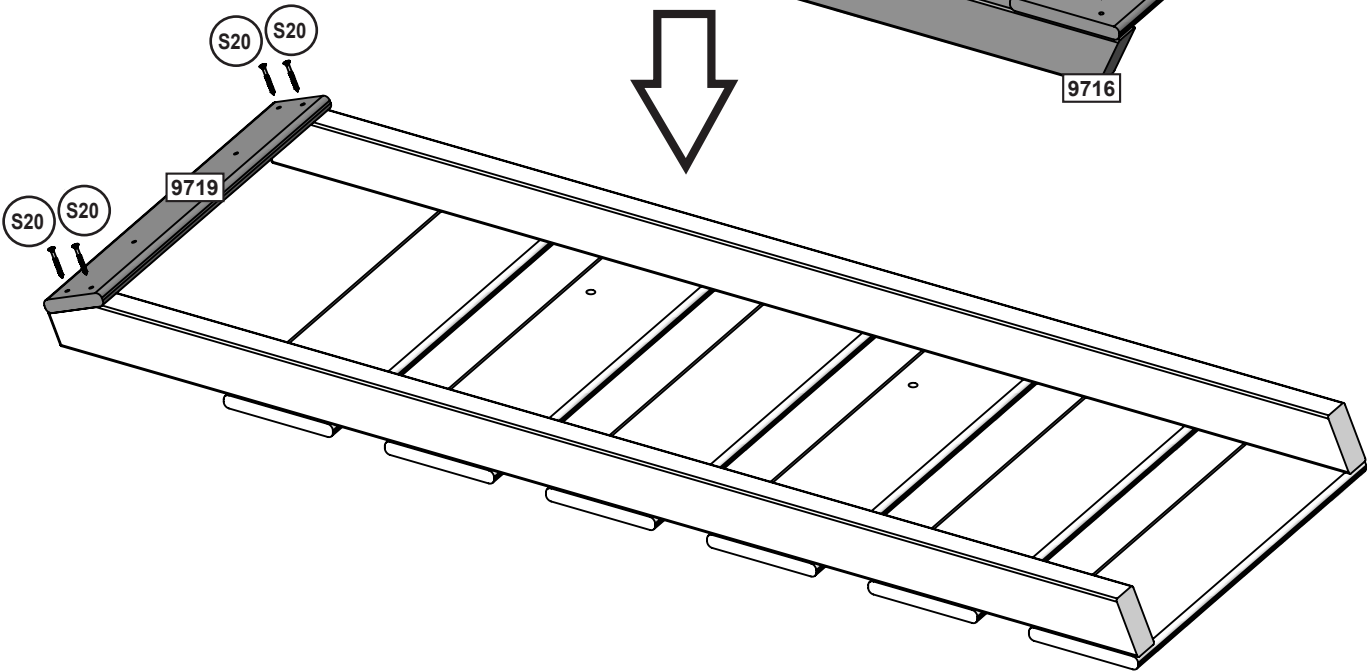
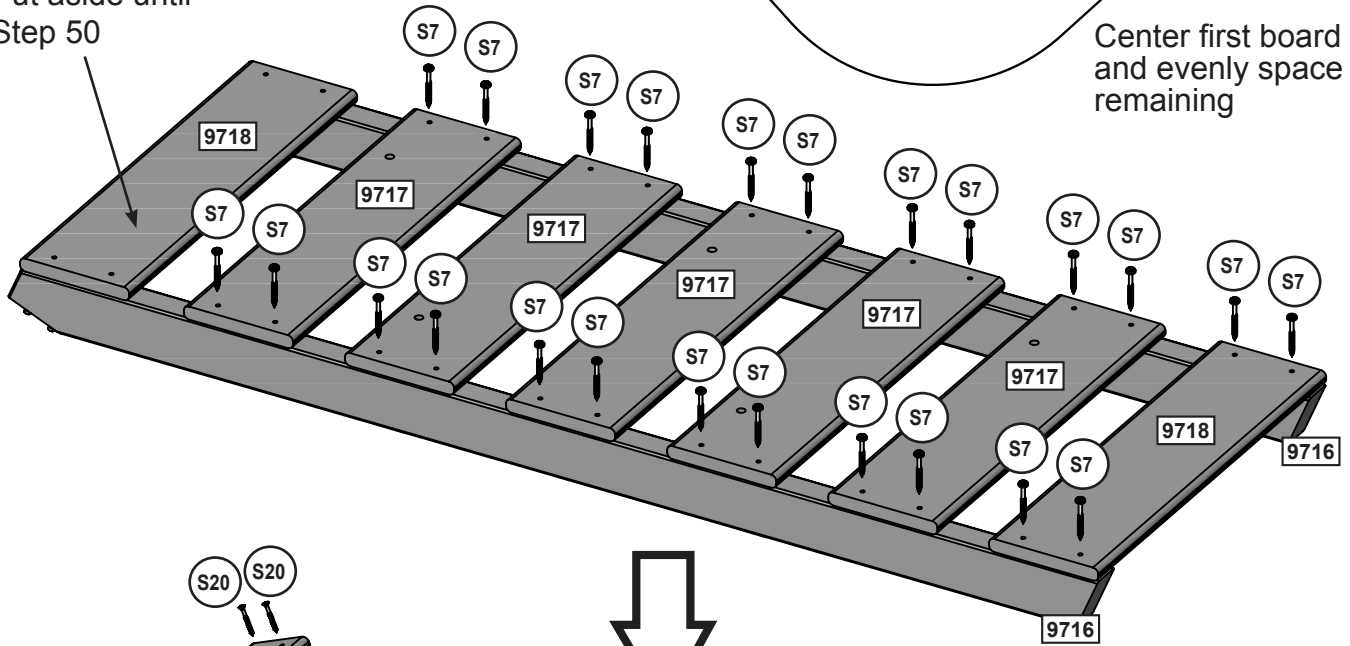
Step 47



IMPORTANT!
Follow hole pattern



Do not attach
Put aside until
Step 50



Wood Parts

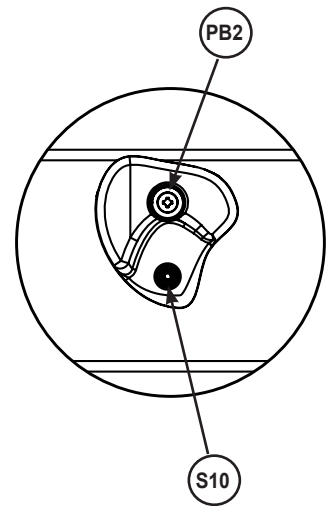
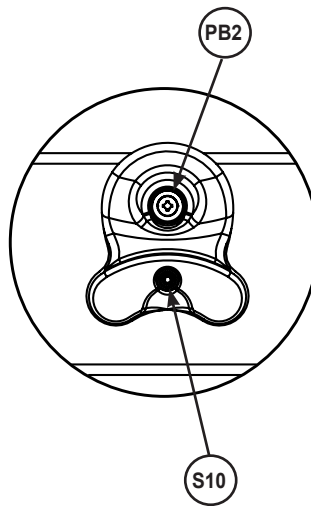
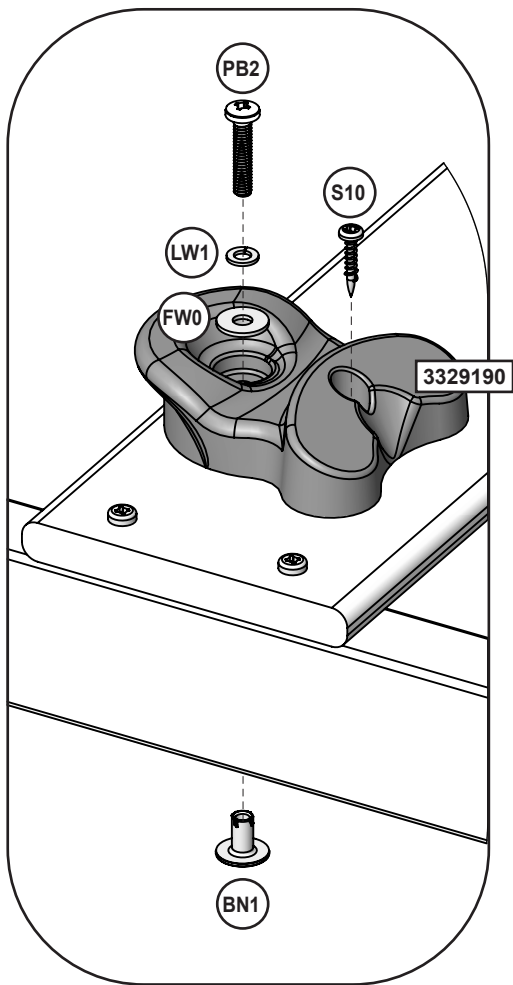
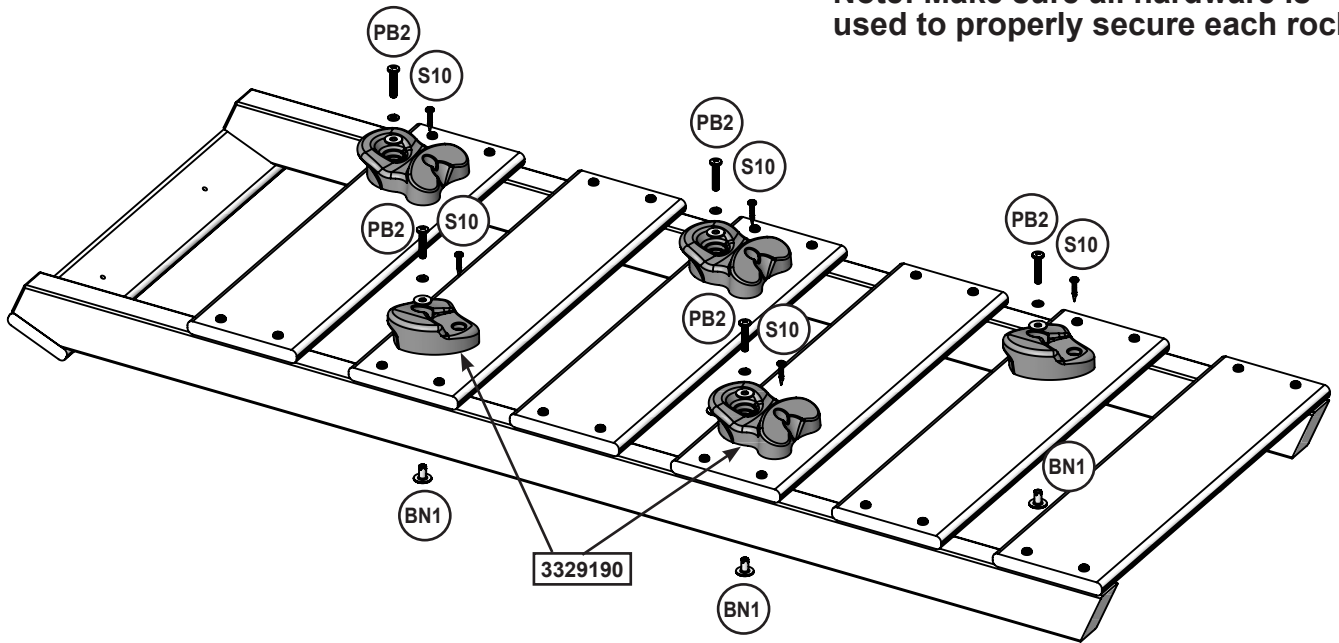
- 2 x 9716 34.9 x 63.5 x 1332.8 mm (1-3/8" x 2-1/2" x 52-1/2")
- 5 x 9717 15.9 x 133.4 x 482.6 mm (5/8" x 5-1/4" x 19")
- 2 x 9718 15.9 x 133.4 x 482.6 mm (5/8" x 5-1/4" x 19")
- 1 x 9719 15.9 x 76.2 x 482.6 mm (5/8" x 3" x 19")

Hardware

- 24 x S7 #12 x 50.8mm (#12 x 2")
- 4 x S20 #8 x 35mm (#8 x 1-3/8")

Step 48

Note: Make sure all hardware is used to properly secure each rock.



Hardware

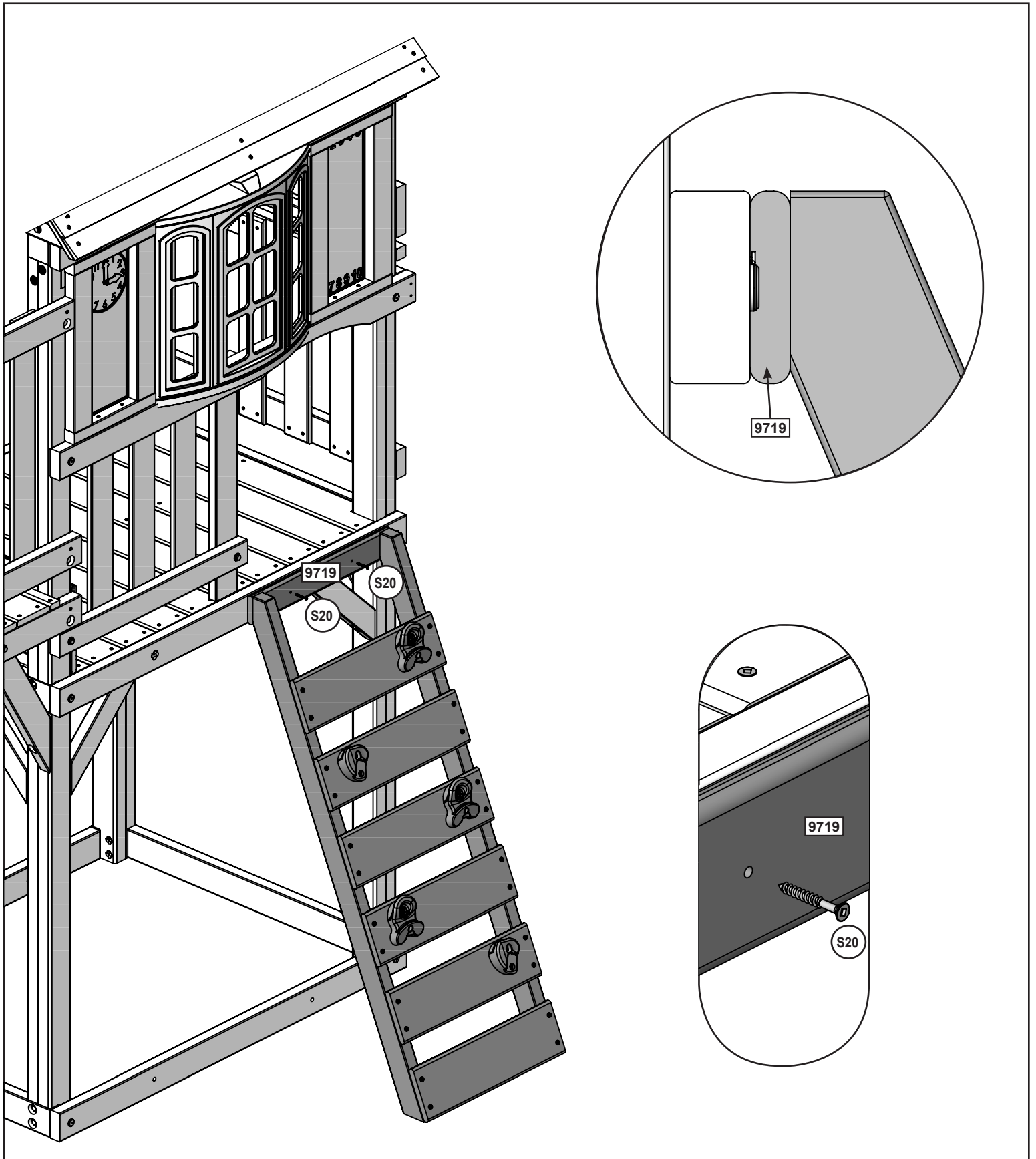
5 x (PB2) 7.9mm x 32 mm (5/16 x 1-1/4") (FW0,LW1,BN1)

5 x (S10) #8 x 25.4 mm (#8 x 1")

Other Parts

1 x 3329190

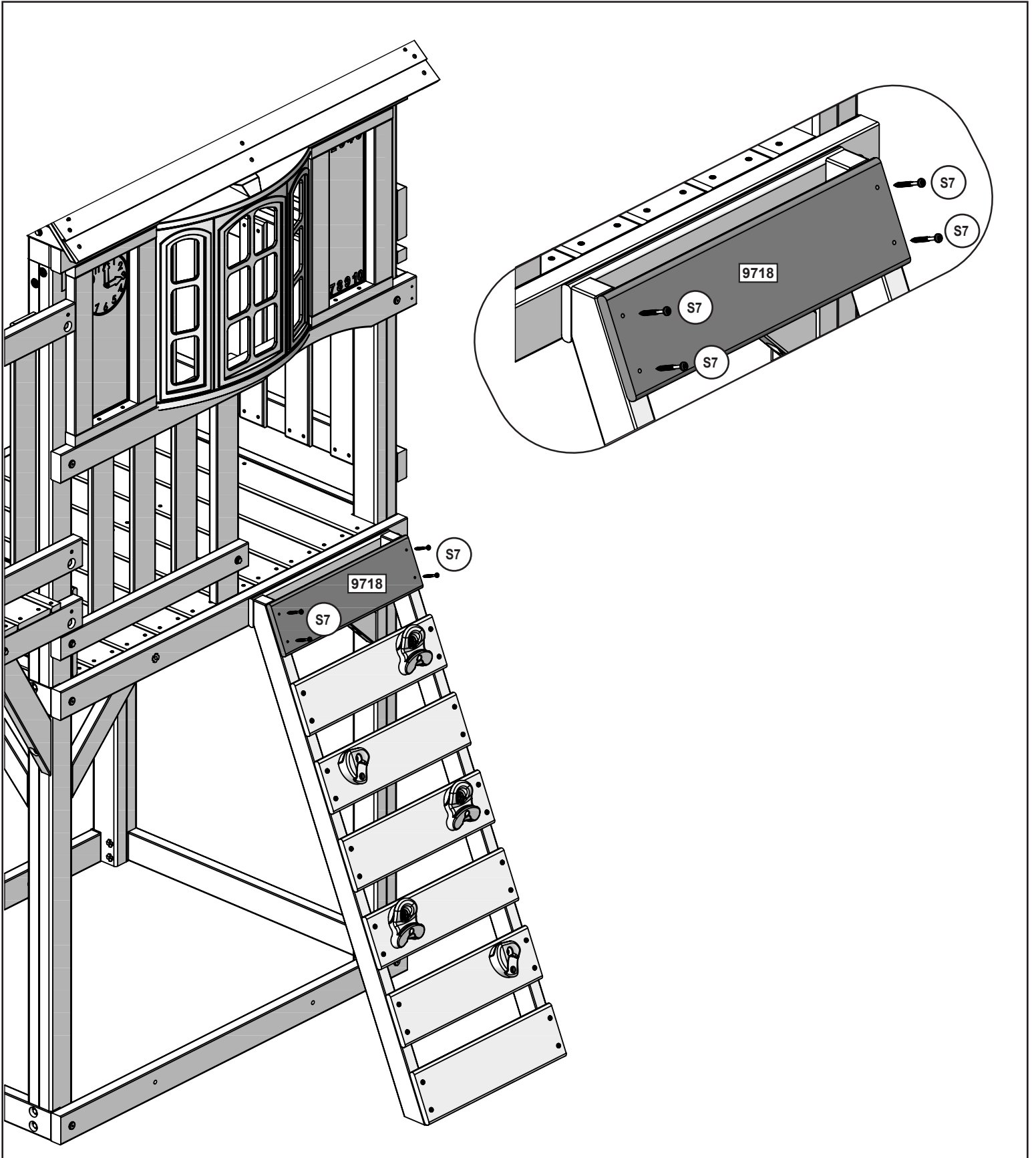
Step 49



Hardware

2 x  #8 x 35mm (#8 x 1-3/8")

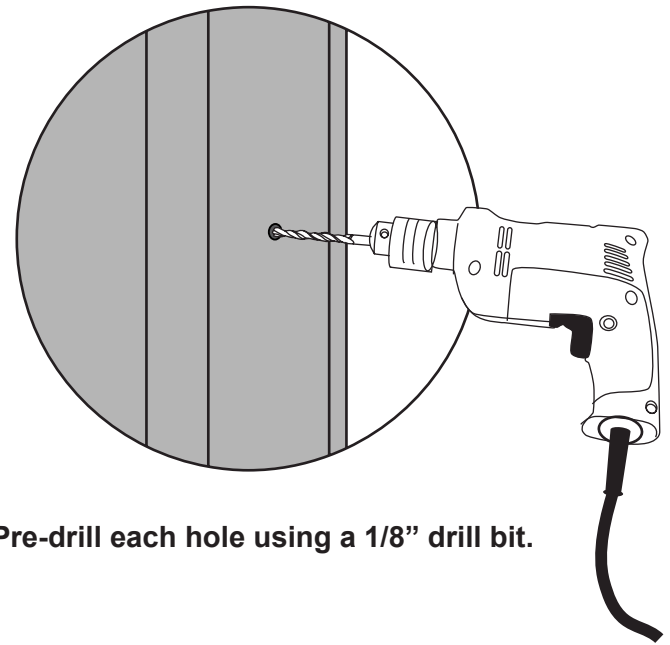
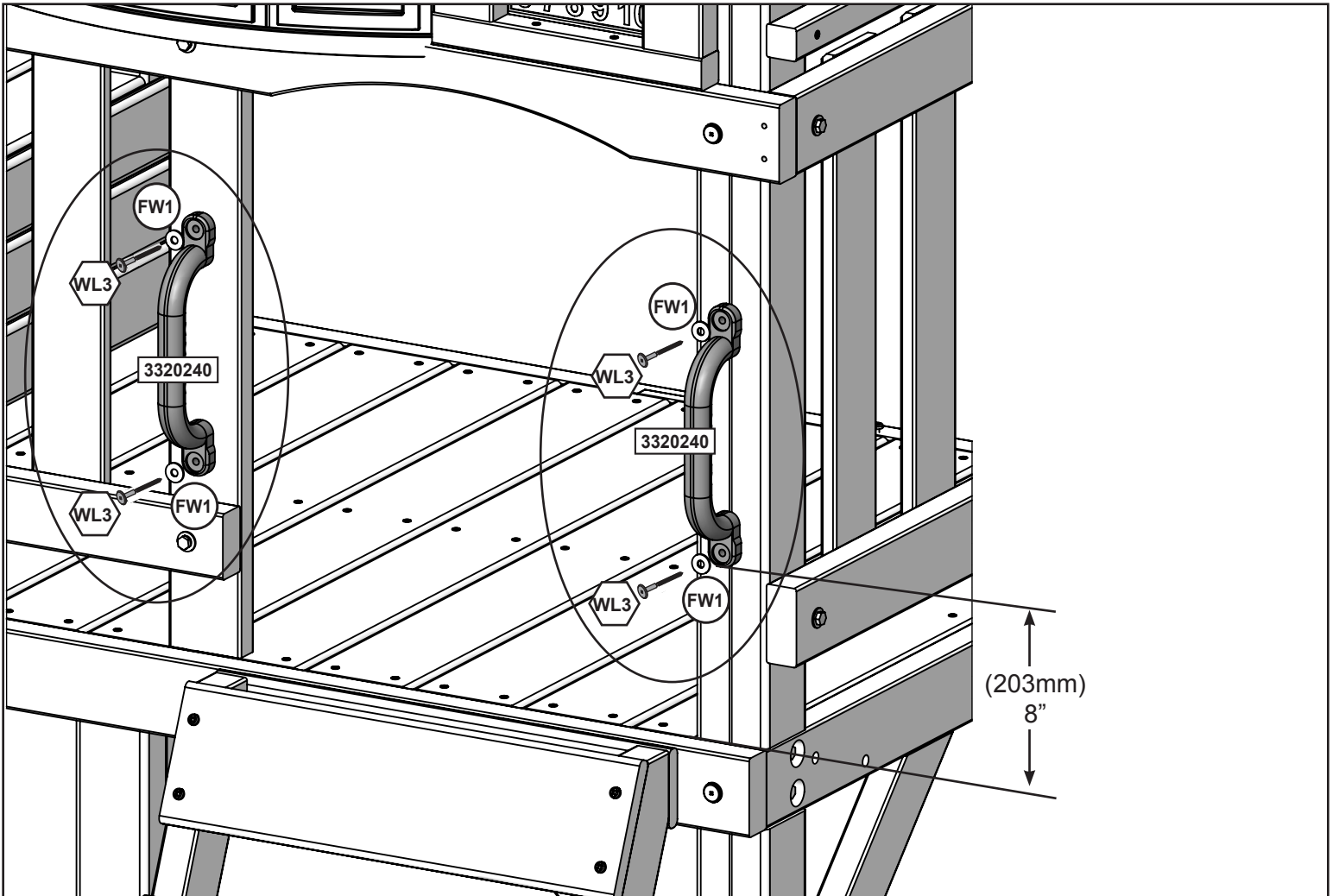
Step 50



Hardware

4 x  #12 x 50.8mm (#12 x 2")

Step 51

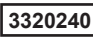


Pre-drill each hole using a 1/8" drill bit.

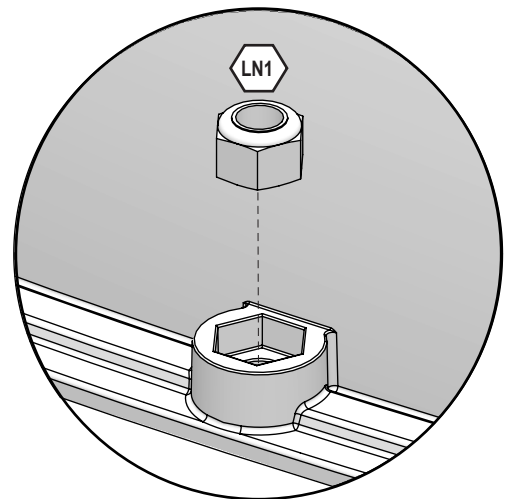
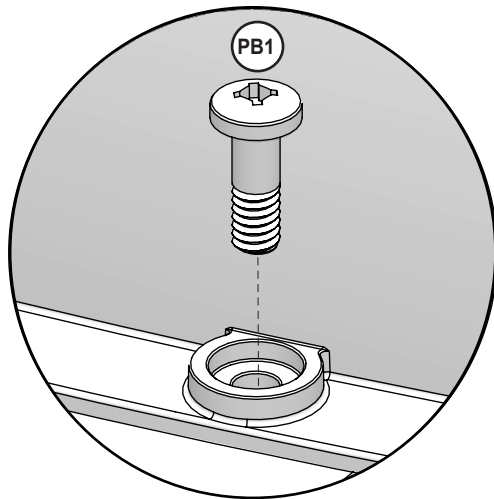
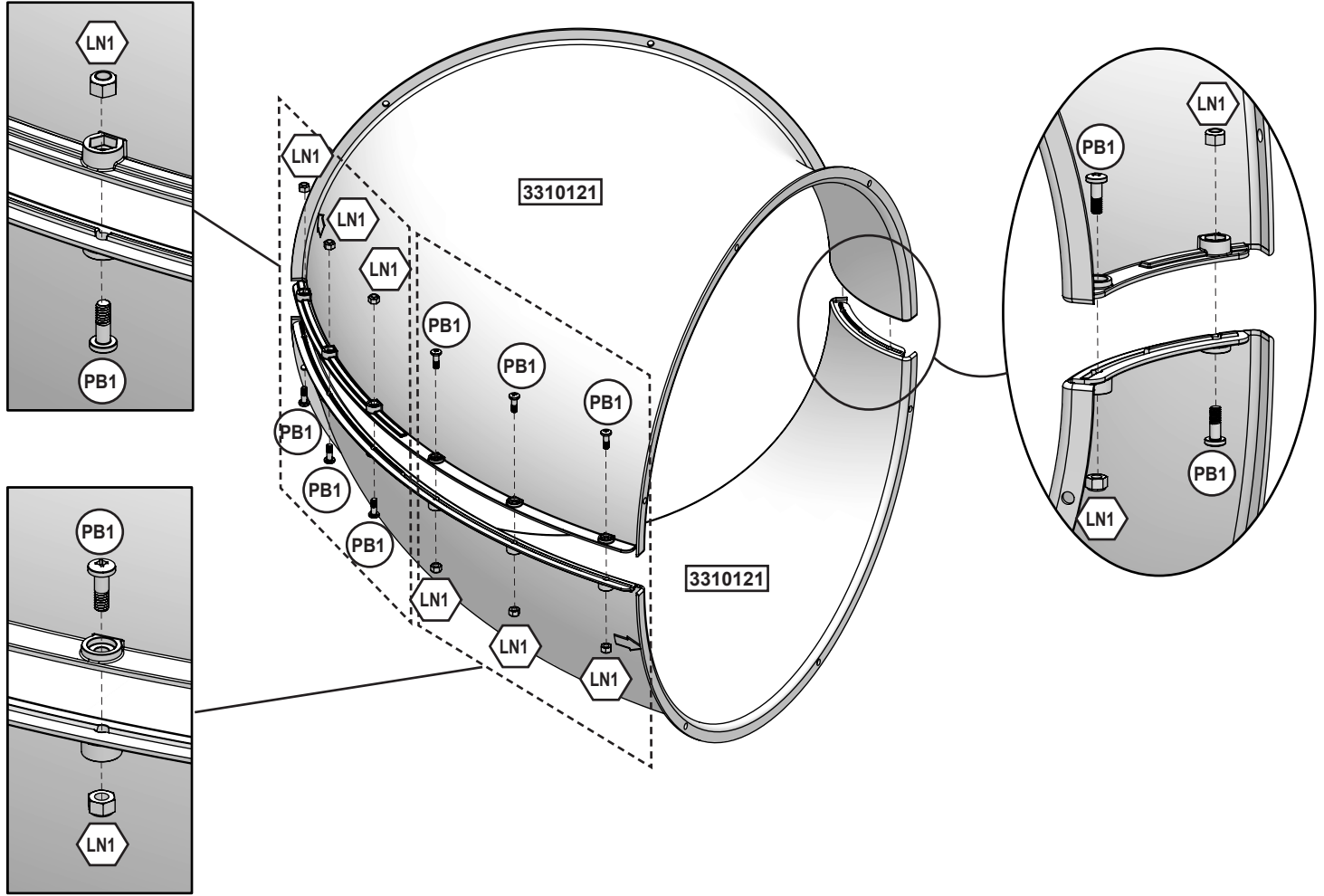
Hardware

4 x  6.4mm x 35mm (1/4 x 1-3/8")(FW1)

Other Parts

1 x 

Step 52 x 4



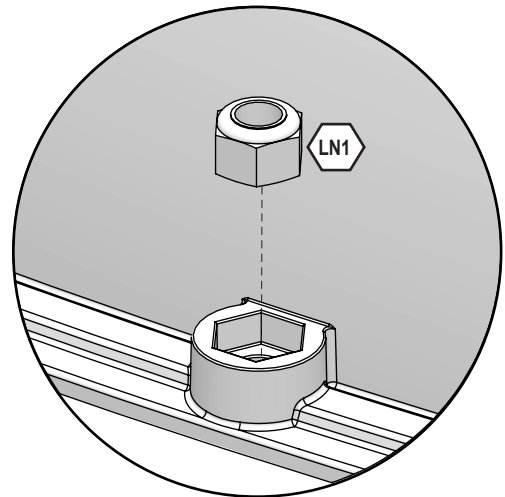
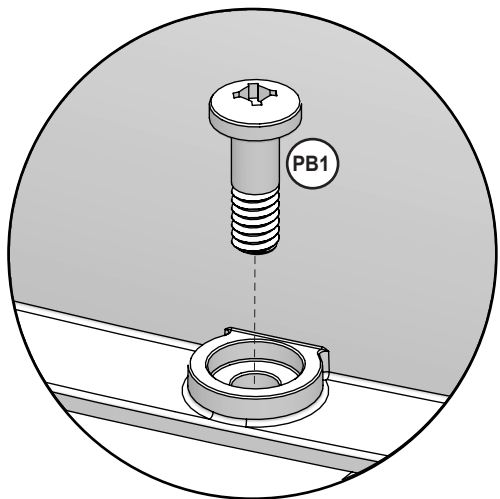
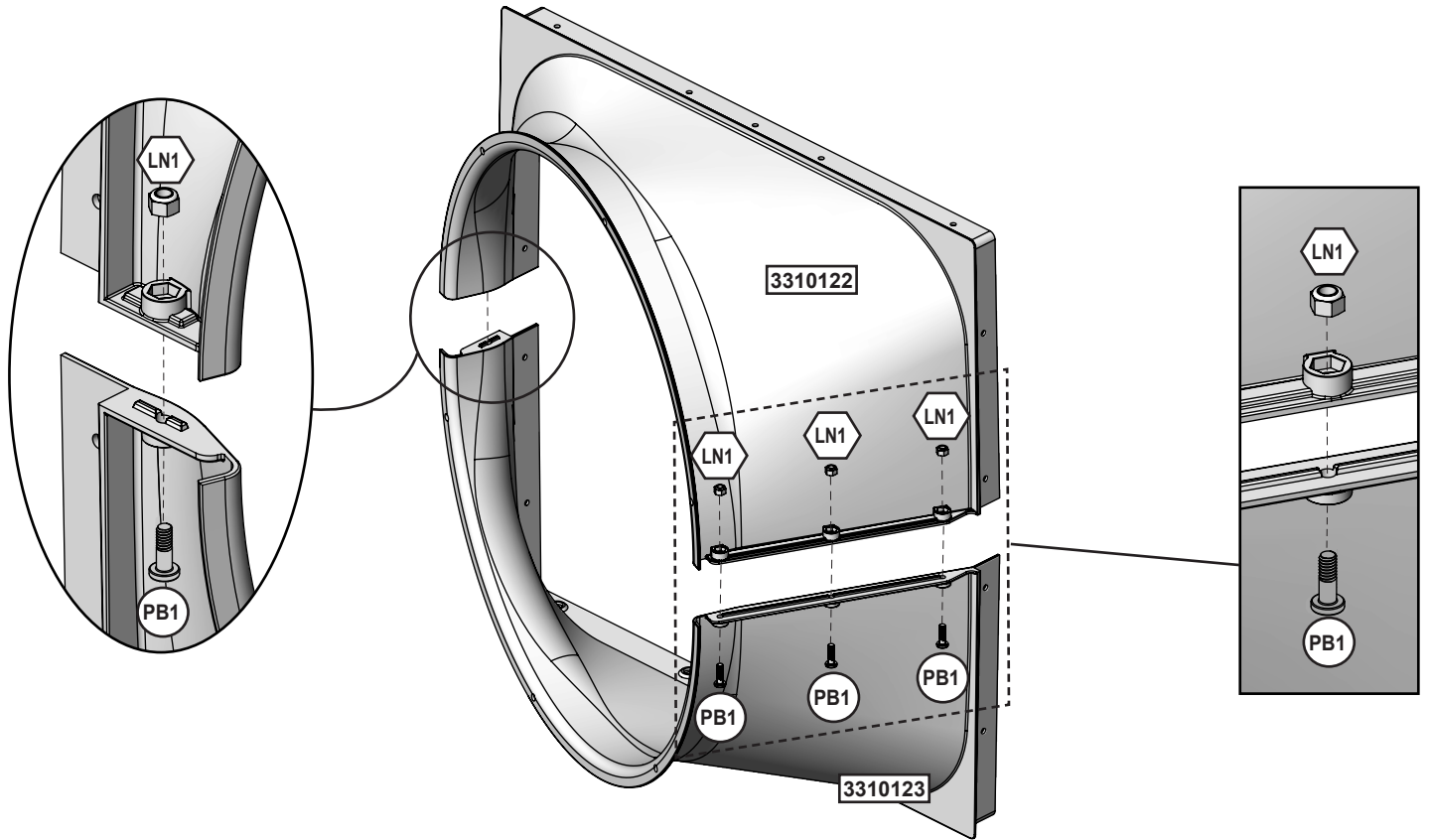
Hardware

32 x (PB1) 6.3mm x 19 mm (1/4 x 3/4") (LN1)

Other Parts

8 x 3310121

Step 53

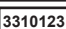


Hardware

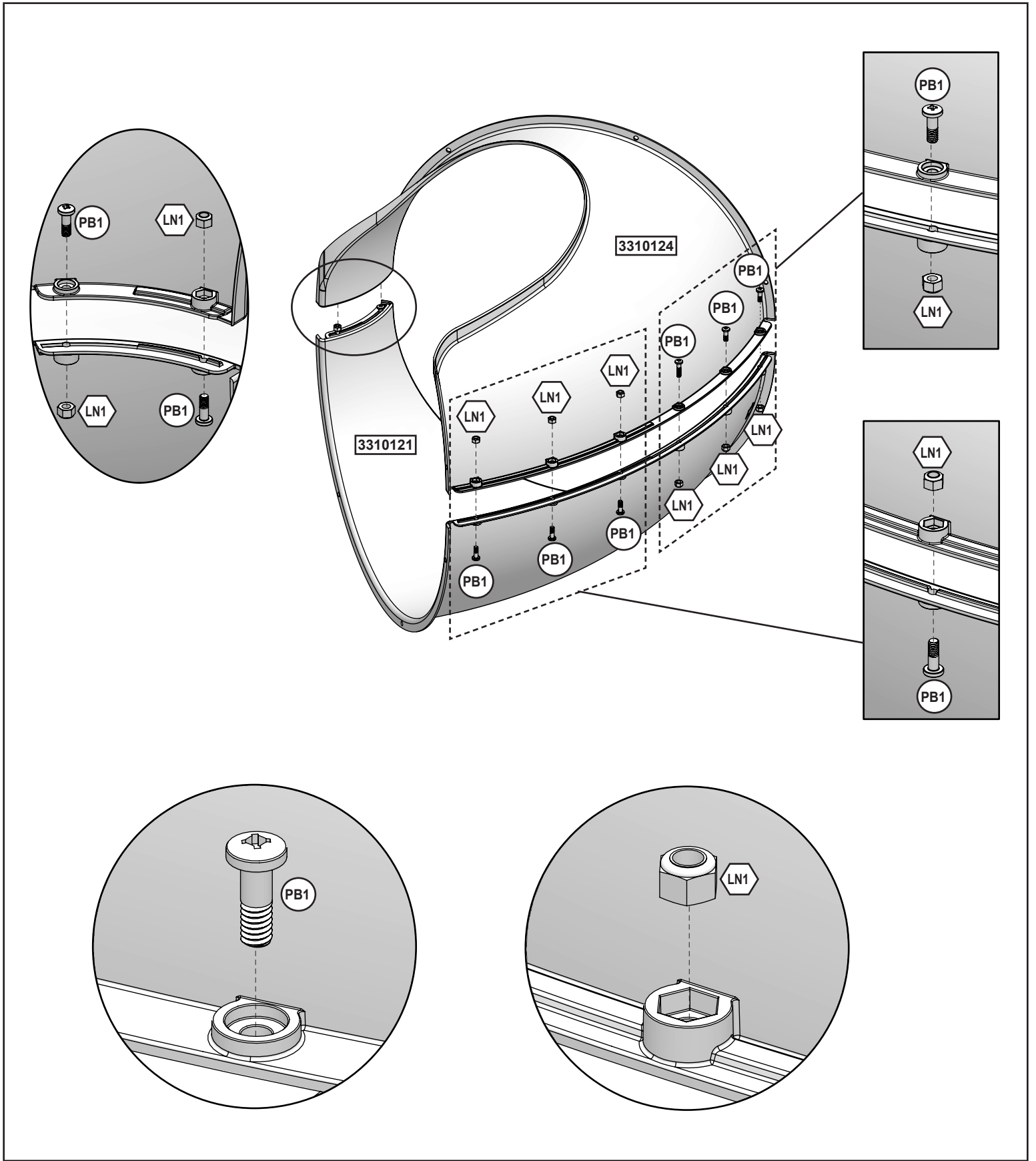
4 x  6.3mm x 19 mm (1/4 x 3/4") (LN1)

Other Parts

1 x 

1 x 

Step 54



Hardware

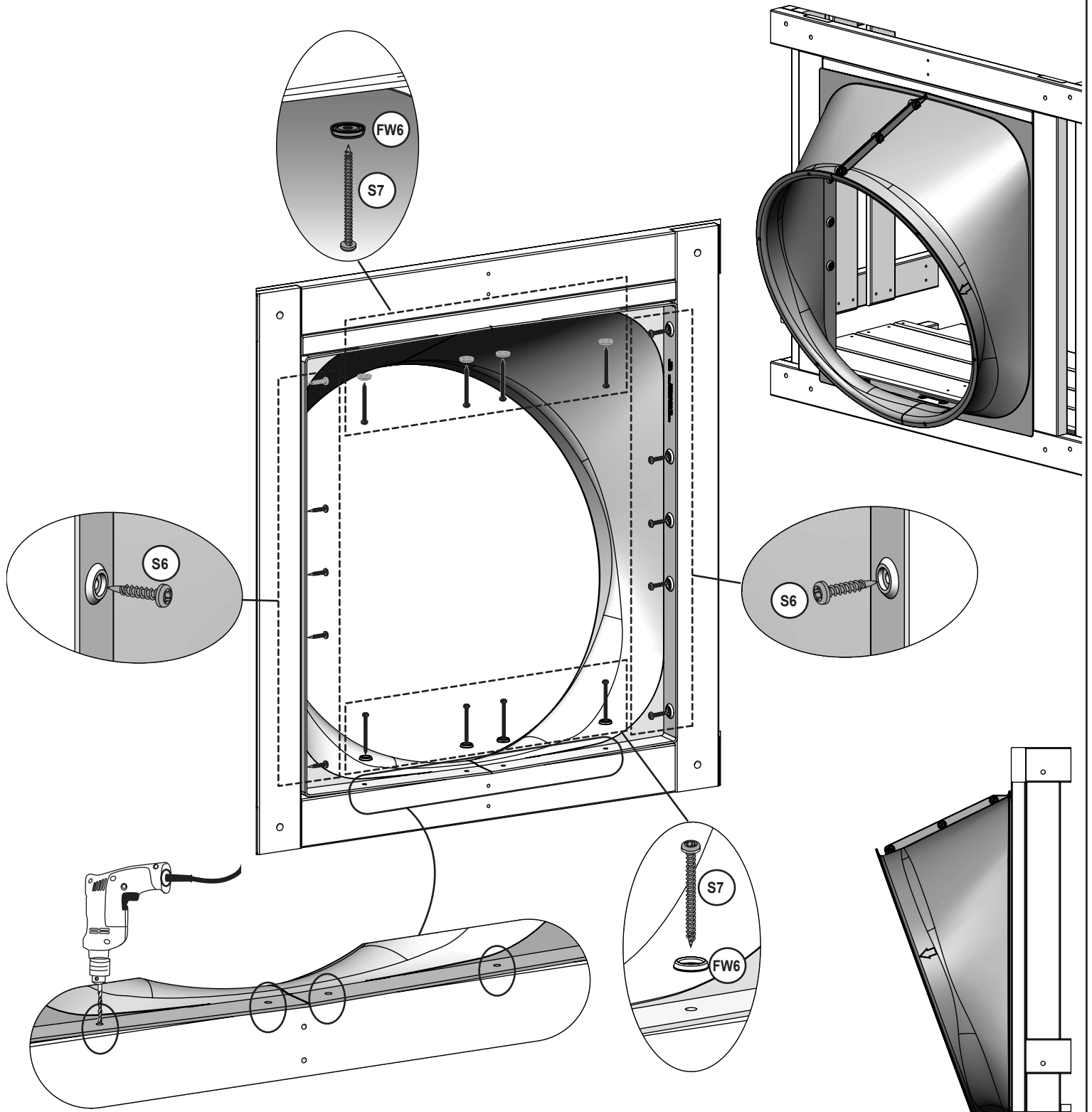
8 x 6.3mm x 19 mm (1/4 x 3/4") (LN1)

Other Parts

1 x

1 x

Step 55

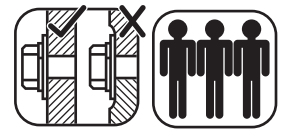


Pre-drill each hole using a 1/8" drill bit. Making sure the pre-drilled holes are a minimum of 1" deep.

Hardware

- 10 x #12 x 25.4mm (#12 x 1")
- 8 x #12 x 50.8mm (#12 x 2")
- 8 x #12

Step 56

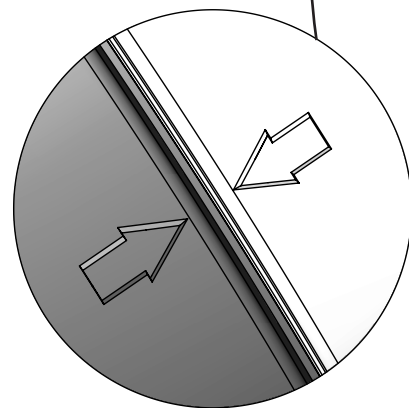
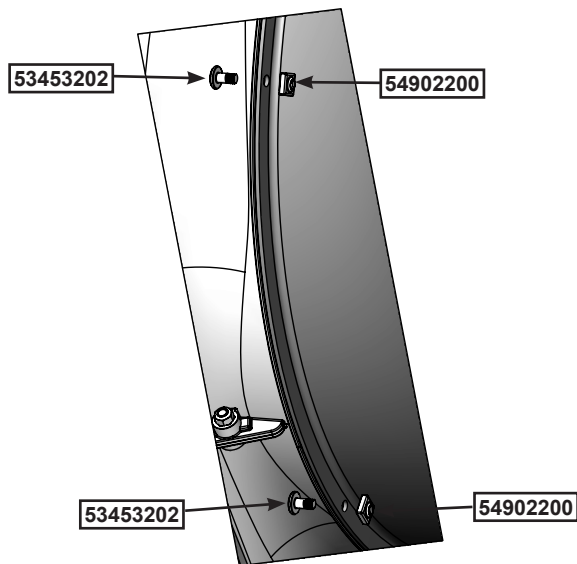
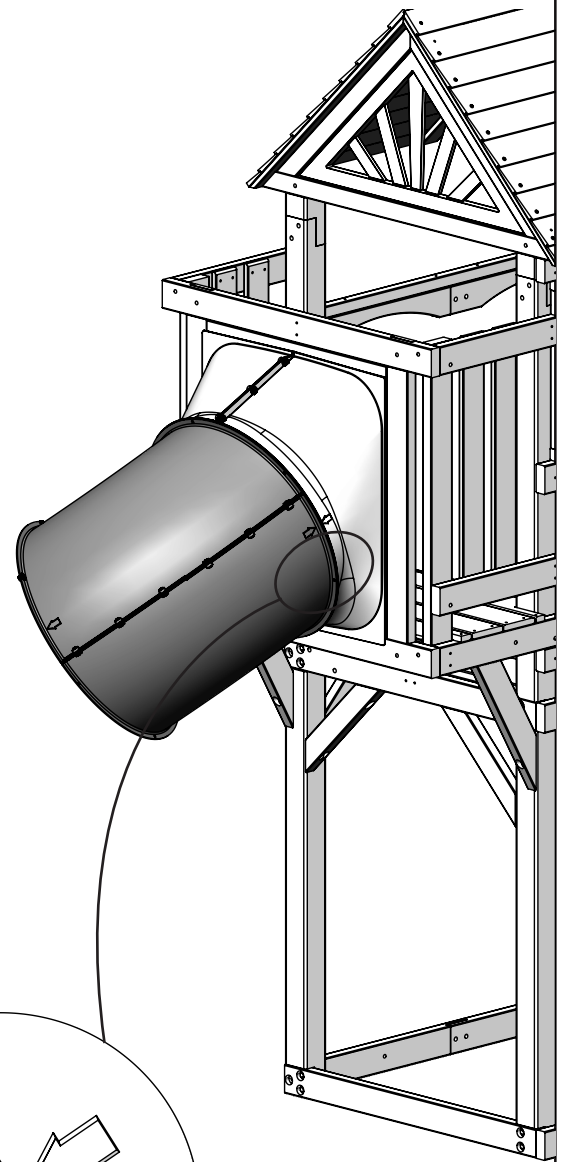
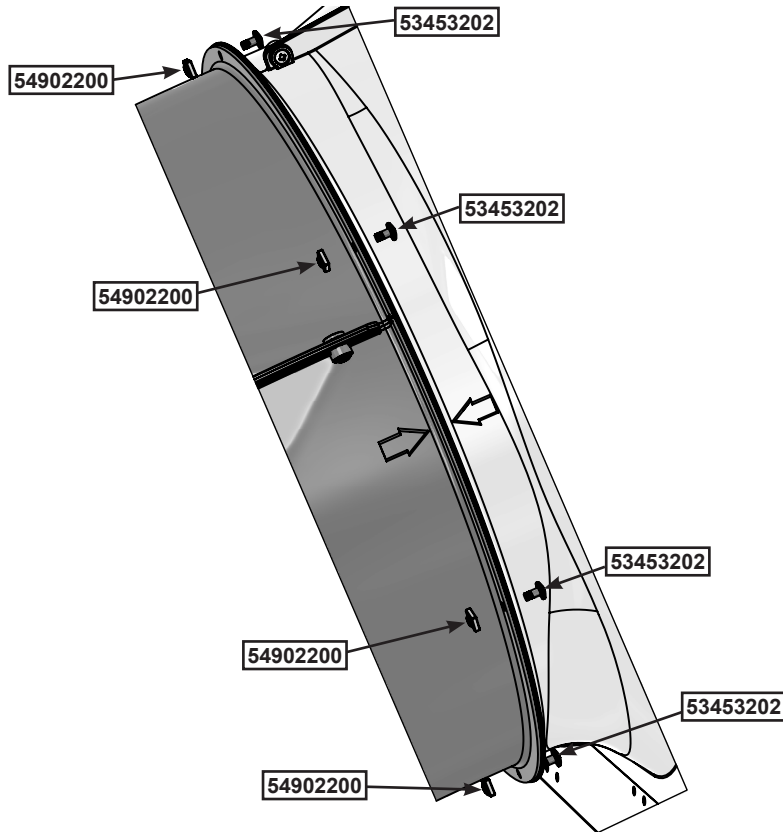


Note: Keep all bolts loose until further step.
Use Quadrex Driver as a guide pin for each hole before inserting bolt.
Align each elbow using the molded arrows.

Quadrex Driver



Use special driver provided in locations where the curve of the elbow are difficult to reach with a standard driver.



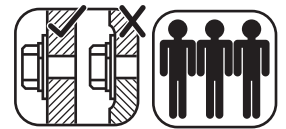
Align each elbow using the molded arrows.

Other Parts

6 x 54902200

6 x 53453202 1/4" x 12.7mm

Step 57 x 3

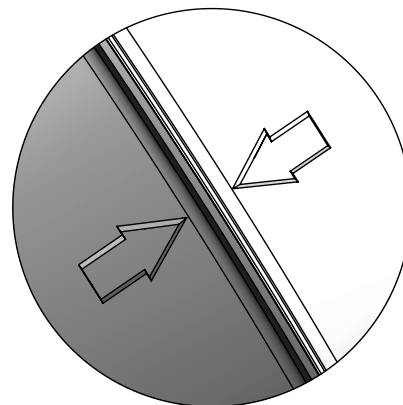
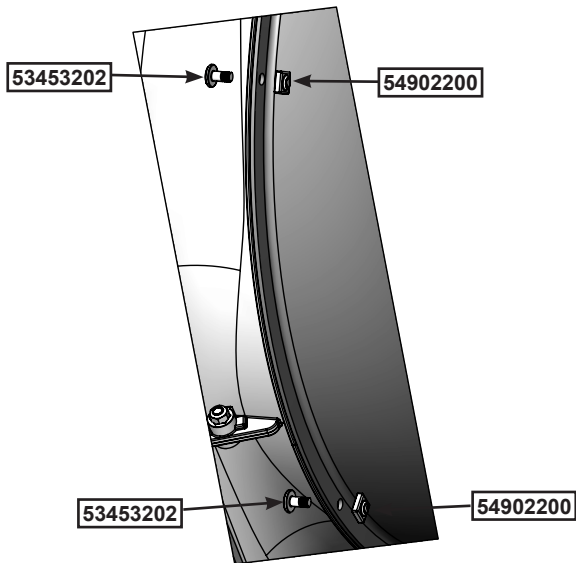
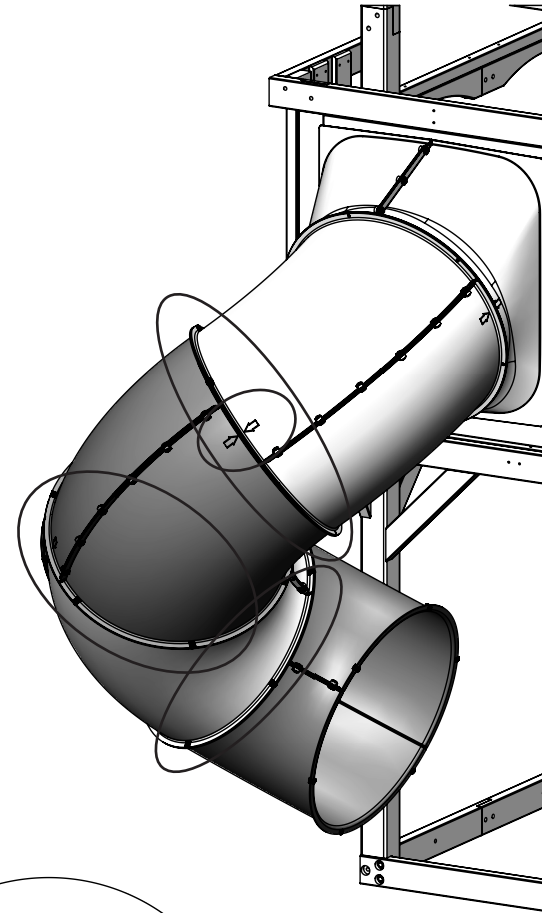
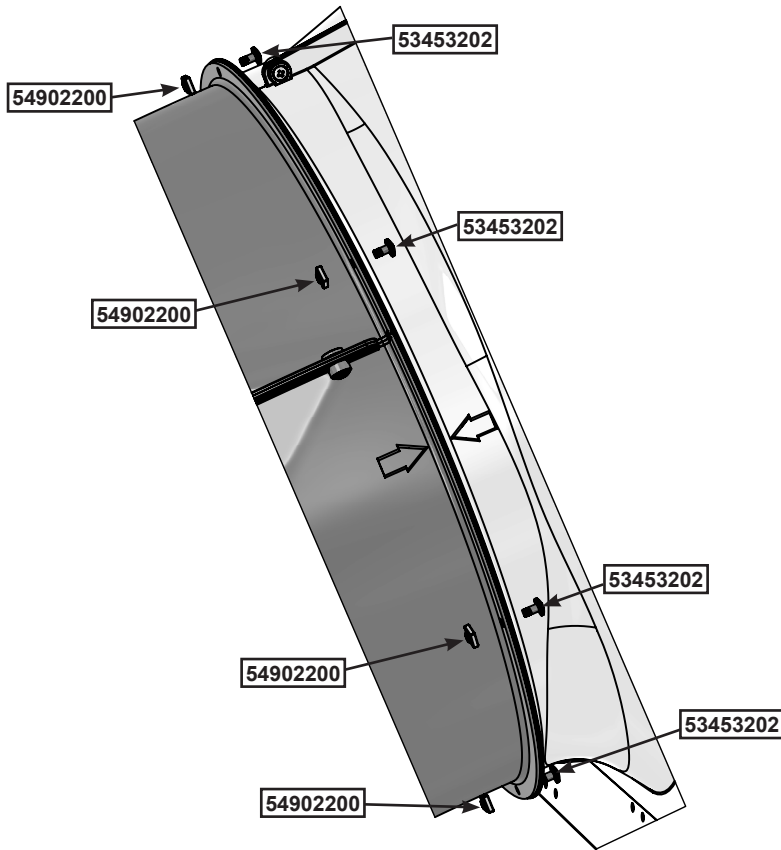


**Note: Keep all bolts loose until further step.
Use Quadrex Driver as a guide pin for each hole before inserting bolt.**

Quadrex Driver



Use special driver provided in locations where the curve of the elbow are difficult to reach with a standard driver.



Align each elbow using the molded arrows.

Other Parts

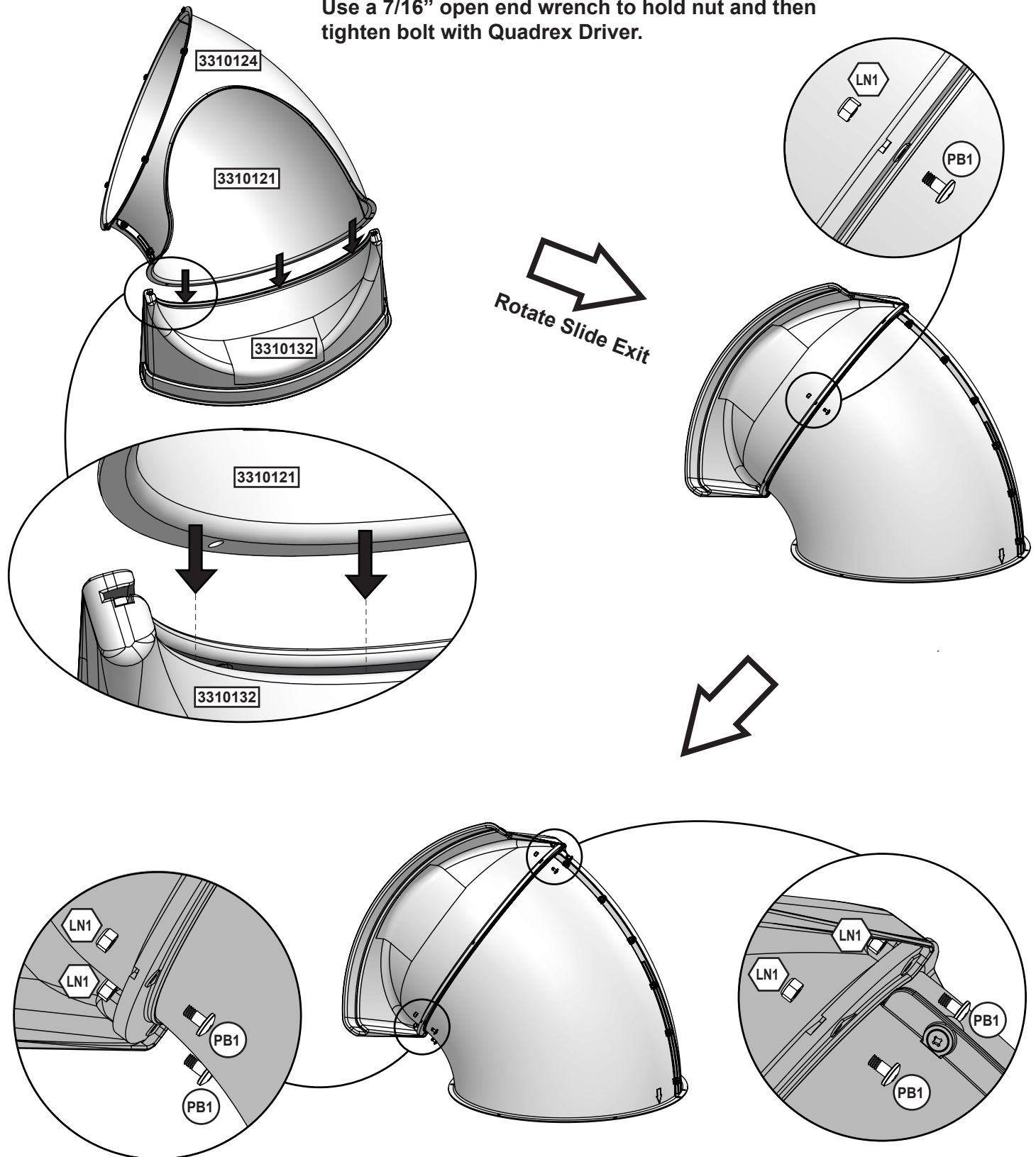
18 x 54902200

18 x 53453202 1/4" x 12.7mm

Step 58



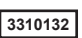
Use a 7/16" open end wrench to hold nut and then tighten bolt with Quadrex Driver.



Hardware

5 x  6.4mm x 19 mm (1/4 x 3/4") (LN1)

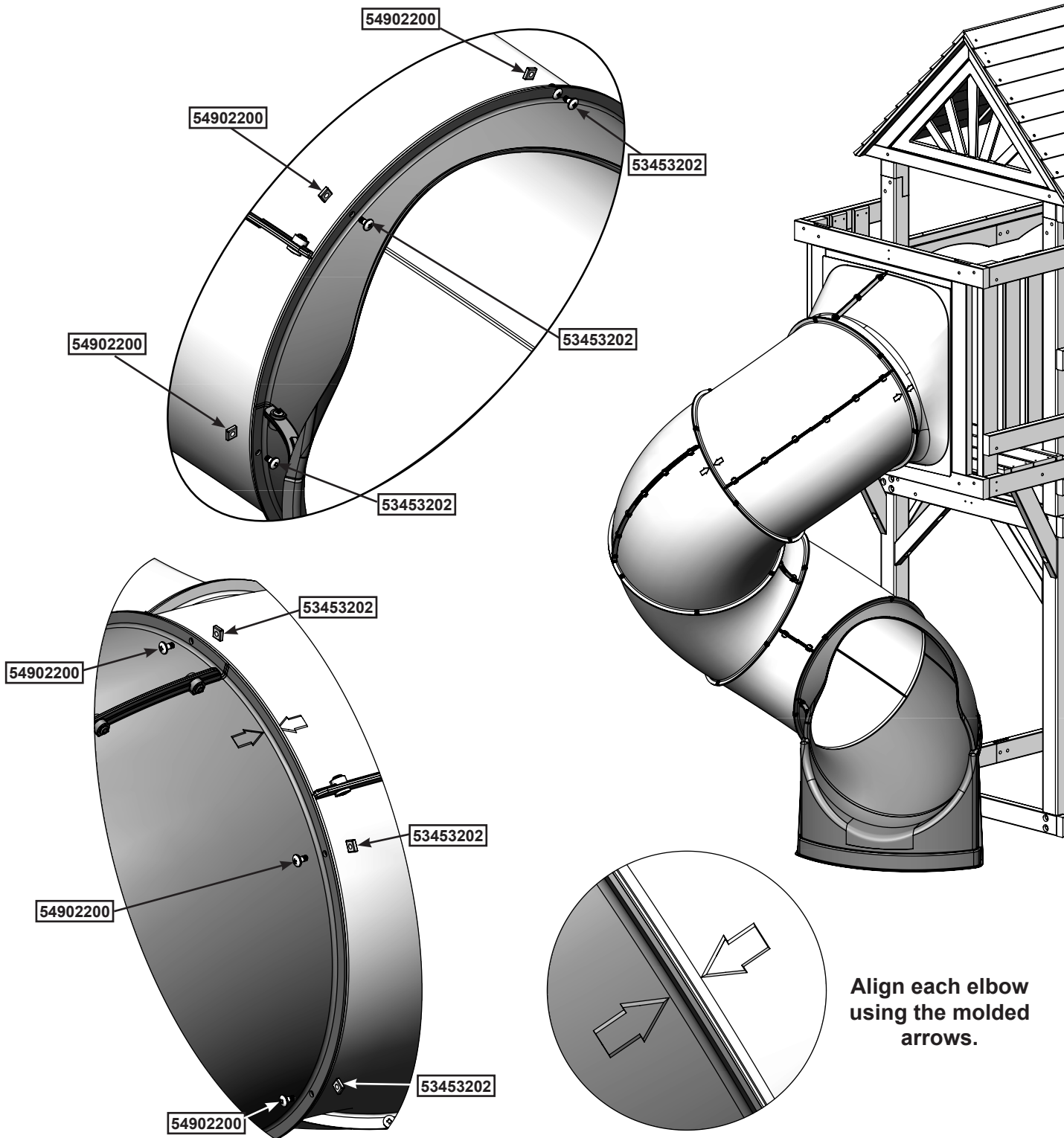
Other Parts

1 x 

Step 59



Tighten all slide bolts before the clamp rings go on in the next step.



Align each elbow using the molded arrows.

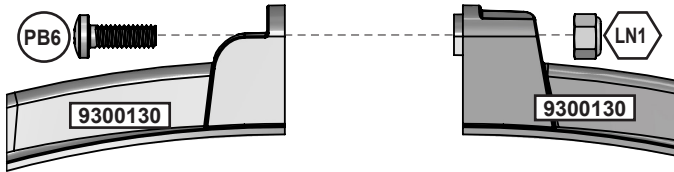
Other Parts

- 6 x 54902200
- 6 x 53453202 1/4" x 12.7mm

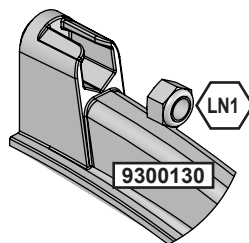
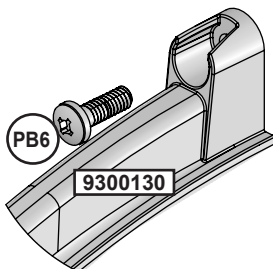
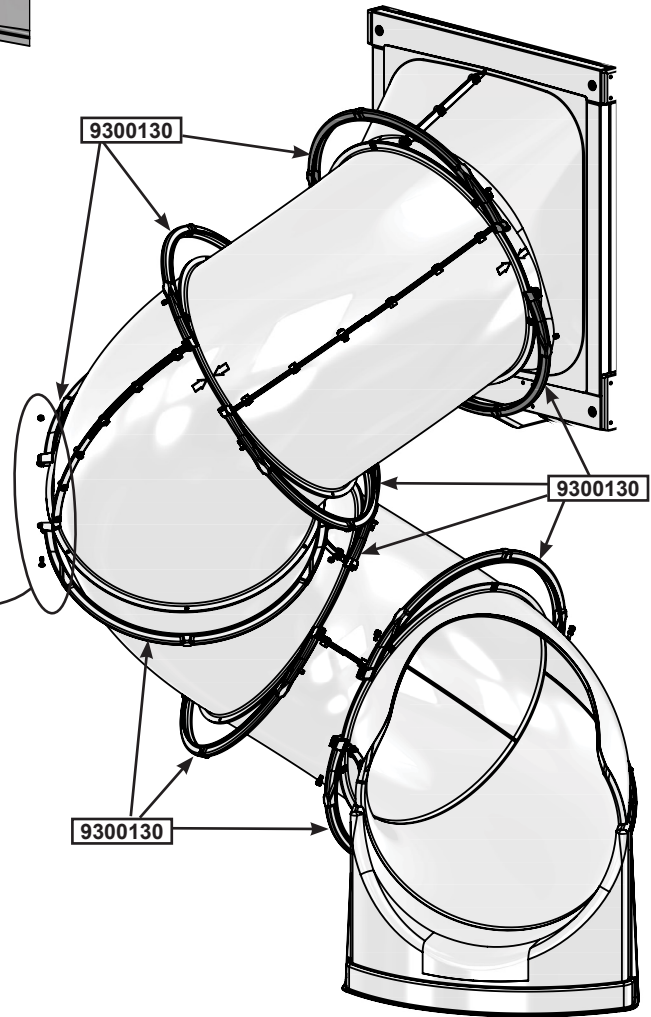
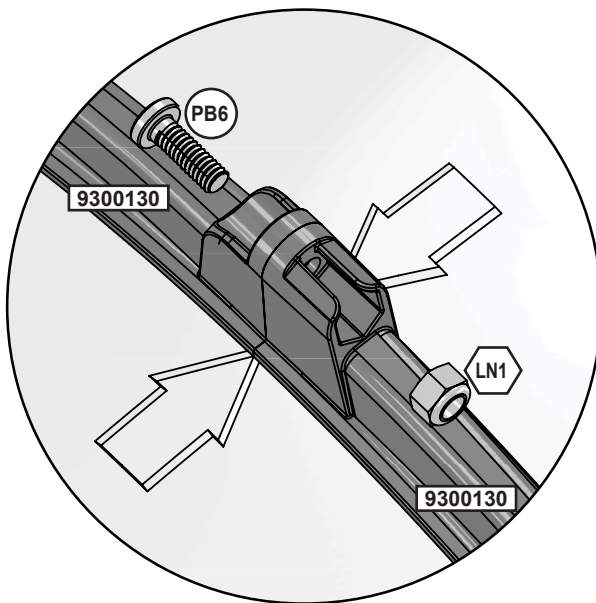


Step 60

Warning. Do not over tighten the clamp rings.



After the clamp rings are attached to the elbows, fasten them end to end with two pan bolts and lock nuts



Note: For ease of assembly bottom set of clamp rings can be rotated 90 degrees to install bolts.

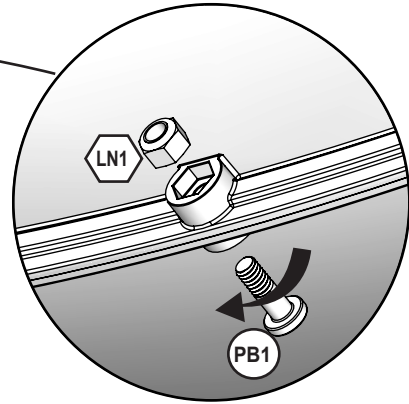
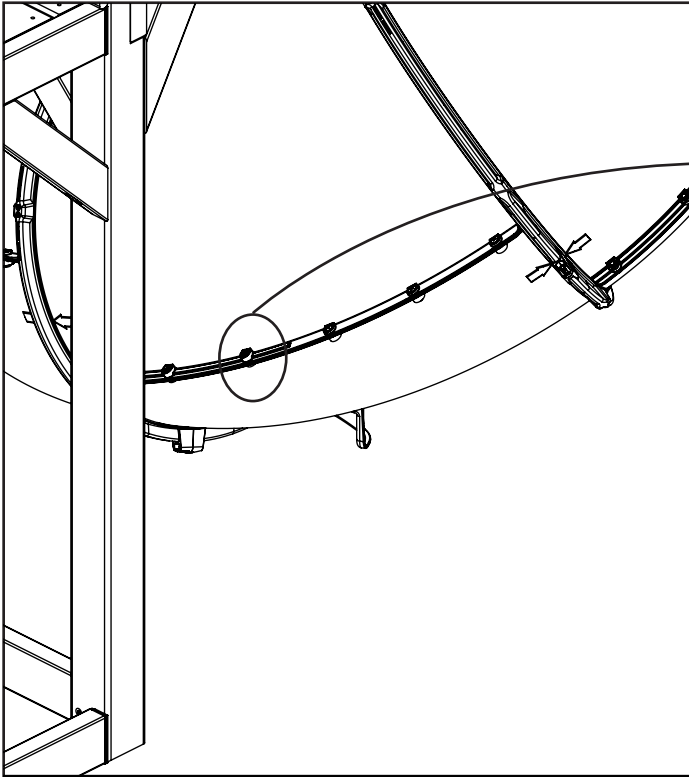
Hardware

10 x (PB6) 6.4mm x 25.4 mm (1/4 x 1") (LN1)

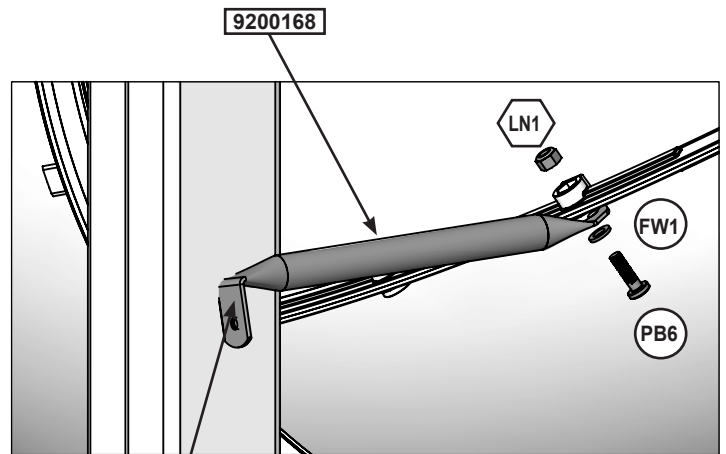
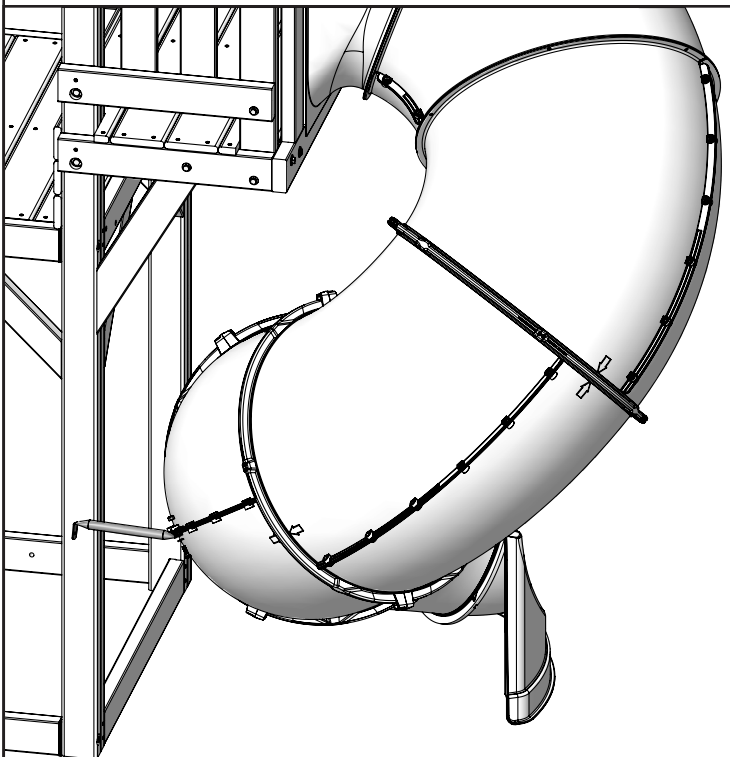
Other Parts

10 x 9300130

Step 61



Remove PB1 (1/4 x 3/4" Pan Bolt),
The bolt (PB1) will no longer be
needed, but keep the lock nut (LN1)



Note: Flat end down

Install PB6 (1/4 x 1" Pan Bolt
with flat washer (FW1)

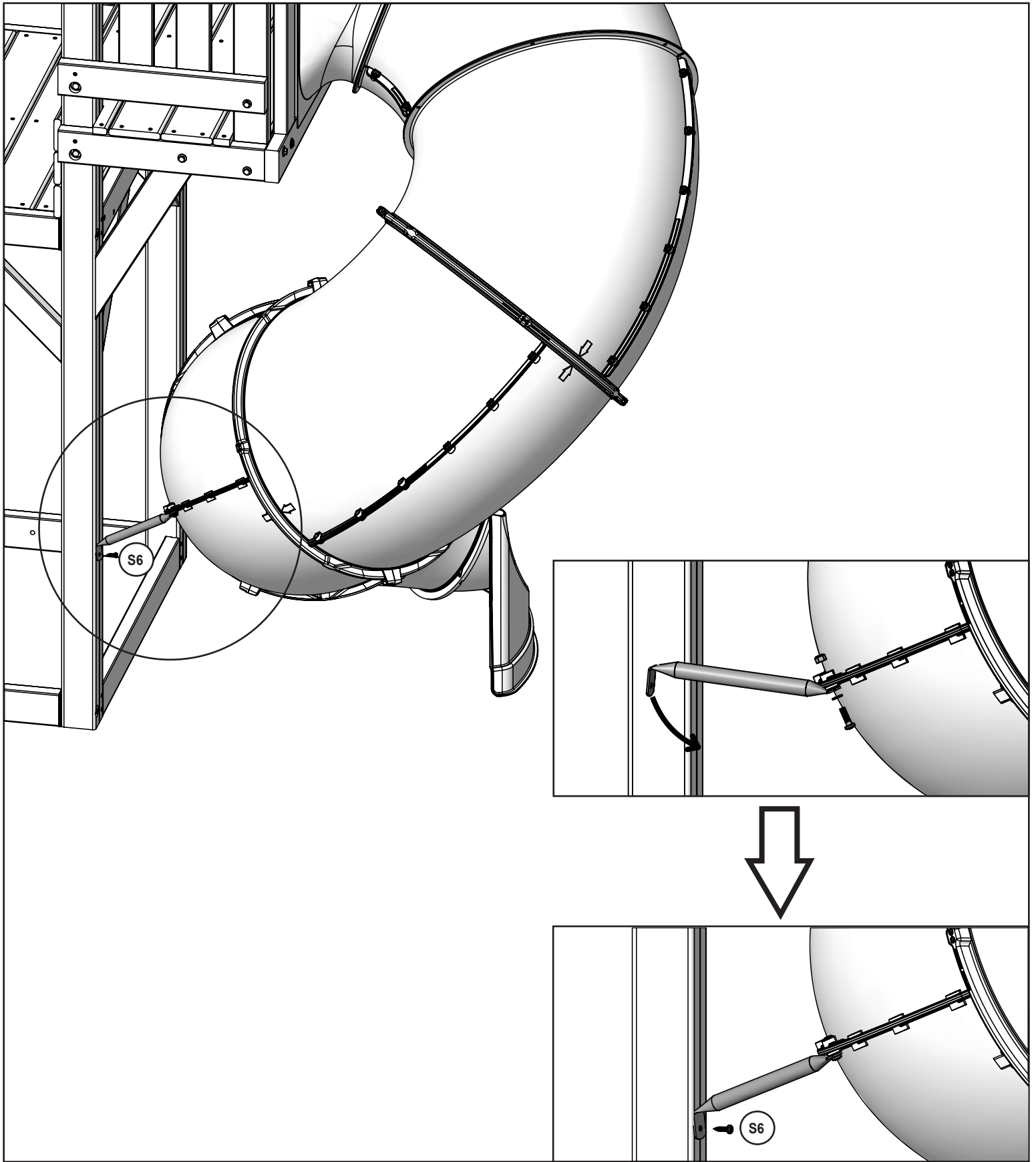
Hardware

1 x (PB6) 6.4mm x 25.4 mm (1/4 x 1") (FW1)

Other Parts

1 x 9200168

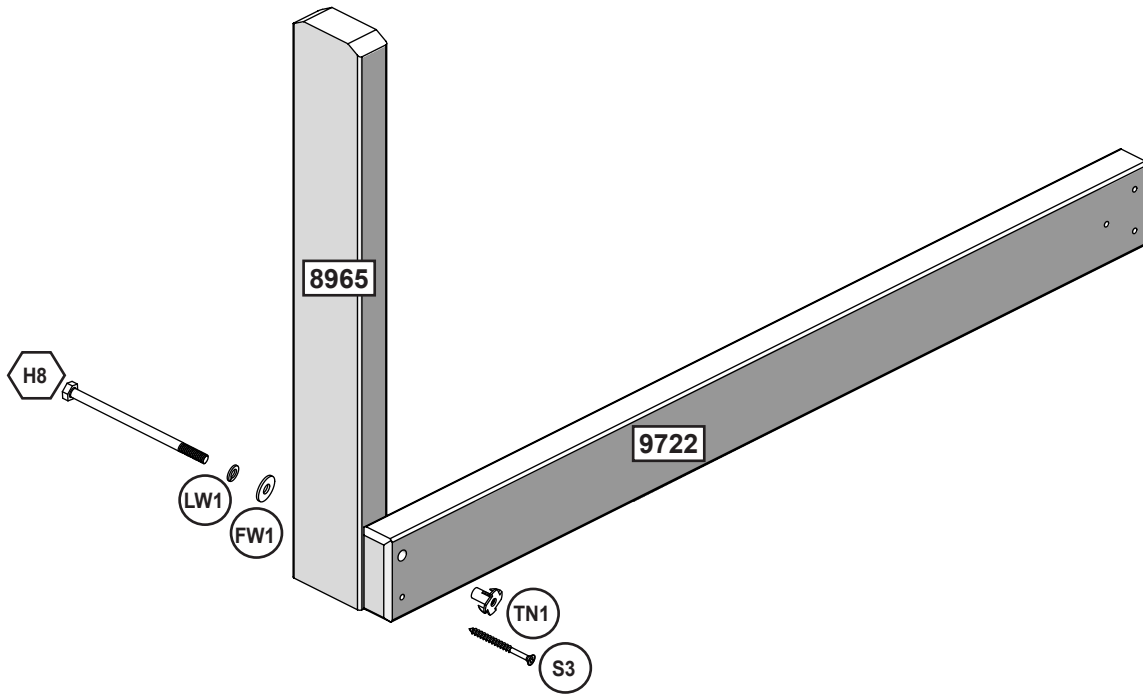
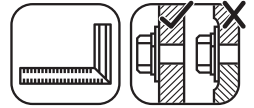
Step 62



Hardware

1 x  #12 x 25.4mm (#12 x 1")

Step 63



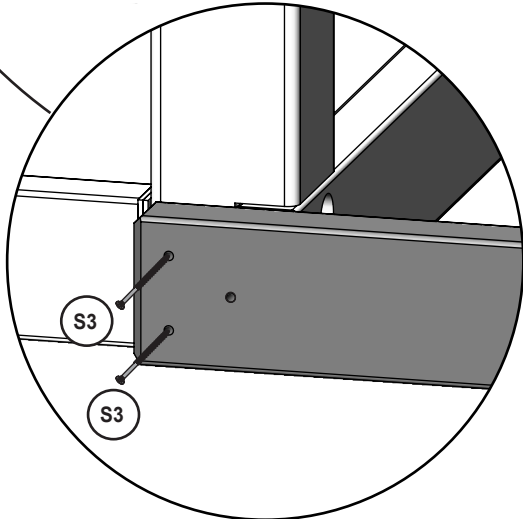
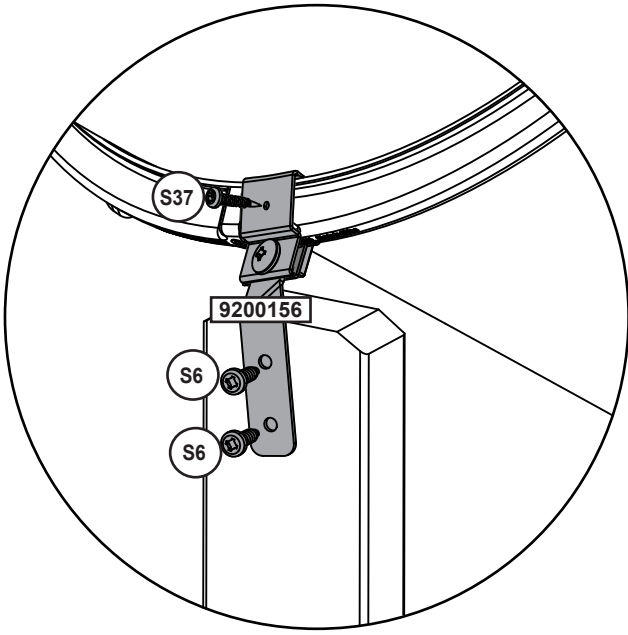
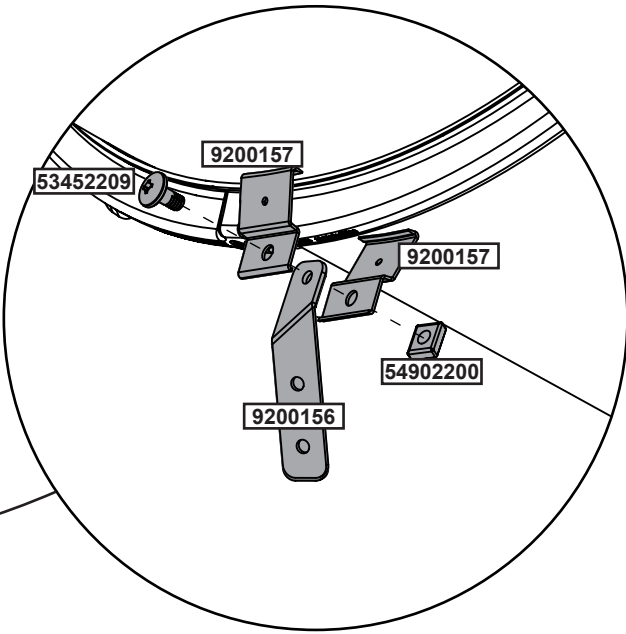
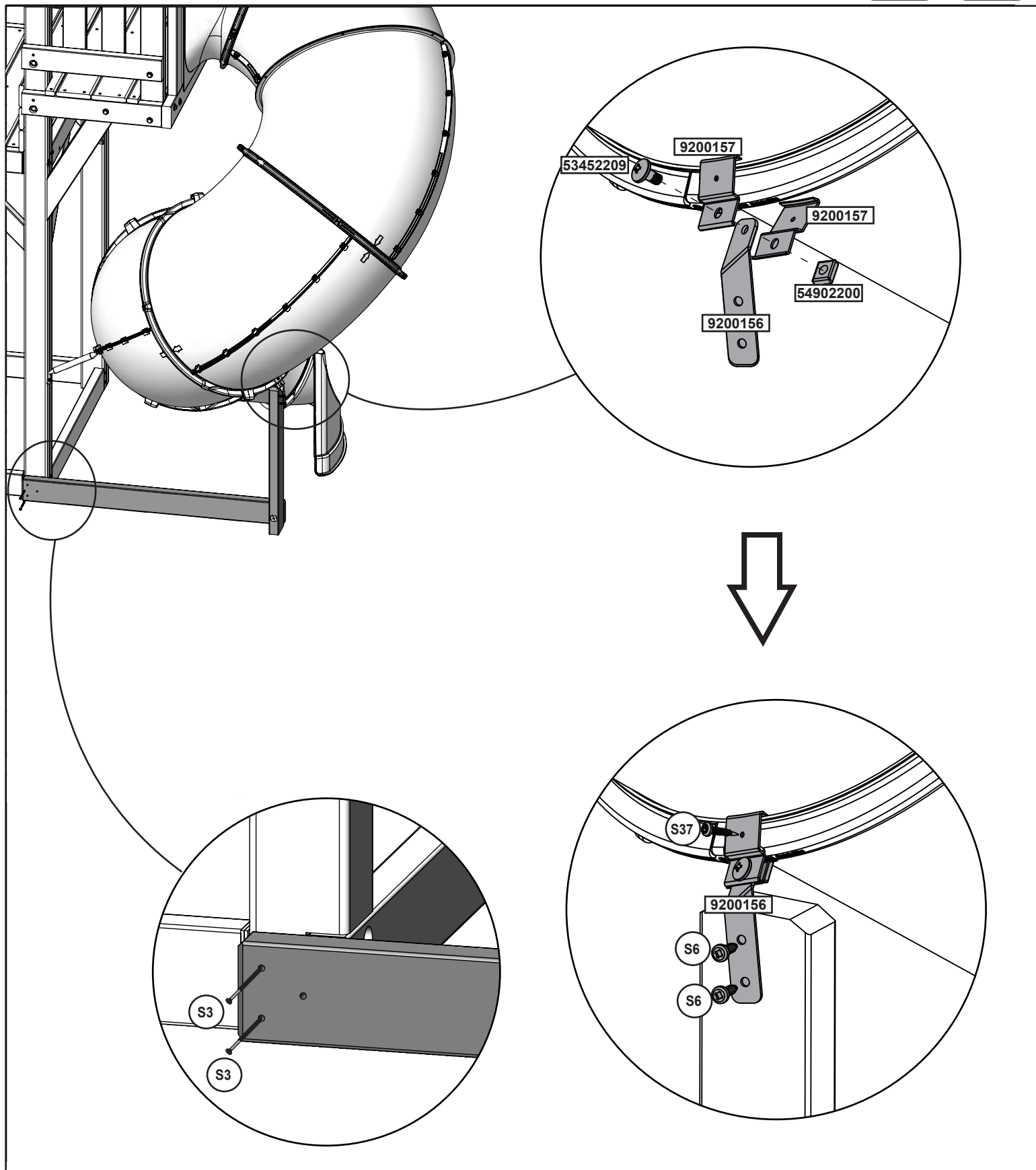
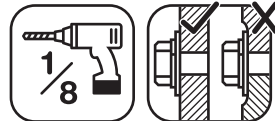
Wood Parts

- 1 x **8965** 31.8 x 76.2 x 514.4 mm (1-1/4" x 3" x 20-1/4")
- 1 x **9722** 31.8 x 76.2 x 857.3 mm (1-1/4" x 3" x 33-3/4")

Hardware

- 1 x **H8** 6.4mm x 108mm (1/4 x 4-1/4")(FW1, LW1, TN1)
- 1 x **S3** #8 x 64mm (#8 x 2-1/2")

Step 64



Hardware

- 1 x S37 #7 x 15.87mm (#7 x 5/8")
- 2 x S6 #12 x 25.4mm (#12 x 1")
- 2 x S3 #8 x 64mm (#8 x 2-1/2")

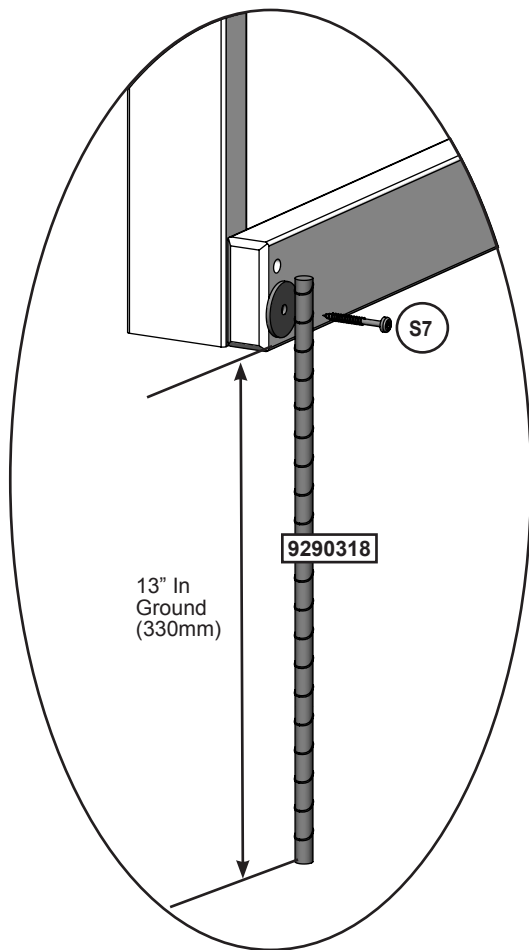
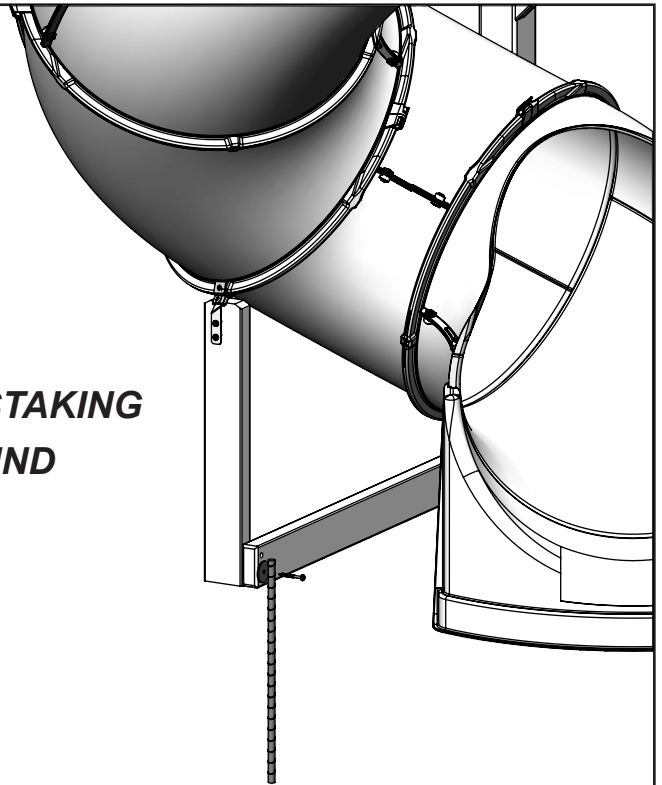
Other Parts

- 1 x 54902200 2 x 9200157
- 1 x 9200156 1 x 53452209 1/4 x 14.5mm

Step 65



**MOVE FORT TO FINAL LOCATION PRIOR TO STAKING
FINAL LOCATION MUST BE LEVEL GROUND**



Warning! To prevent tipping and avoid potential injury, stakes must be driven 13”(330mm) into ground. Digging or driving stakes can be dangerous if you do not check first for underground wiring, cables or gas lines.

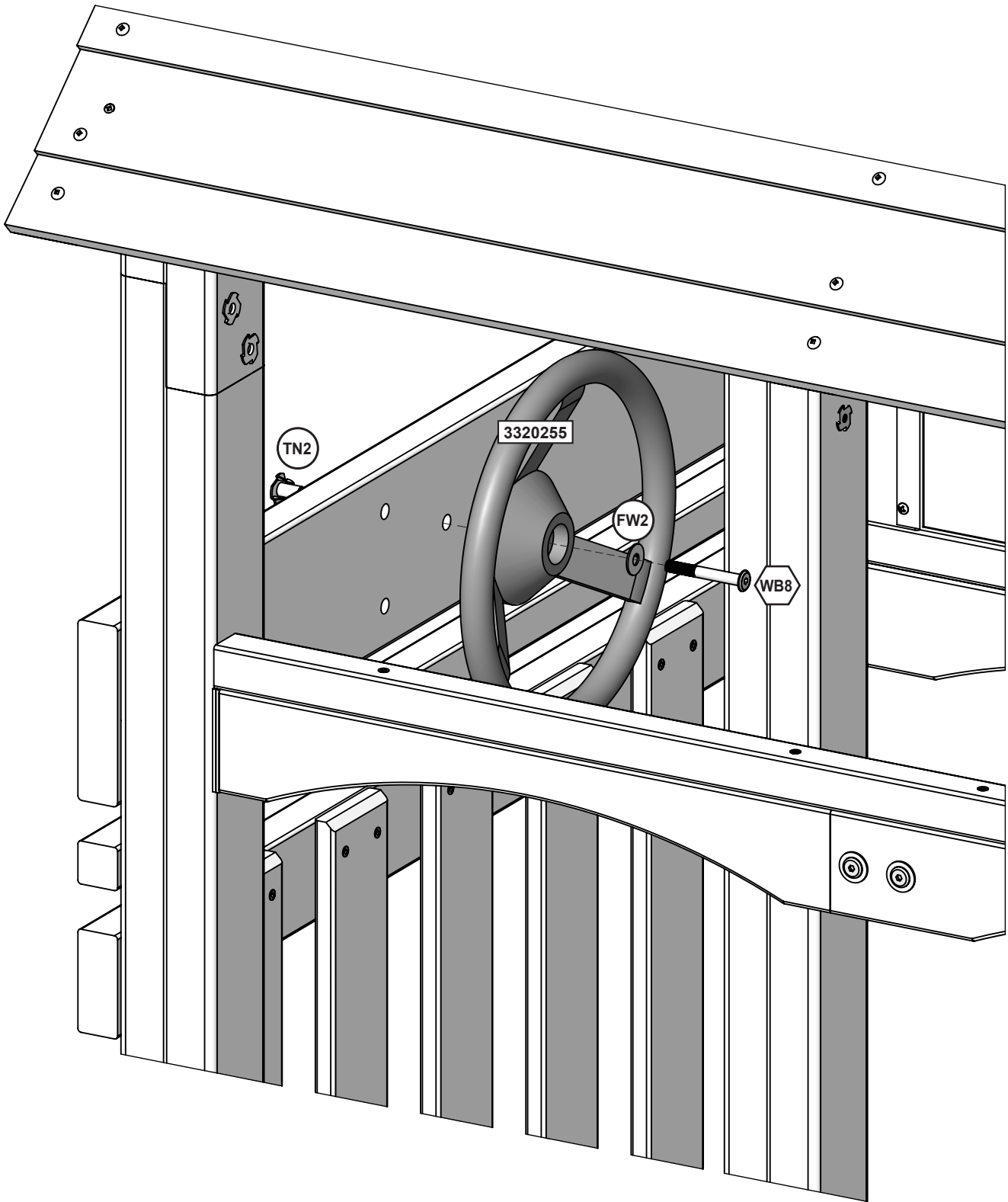
Hardware

1 x #12 x 50.8mm (#12 x 2")

Other Parts

1 x


Step 66



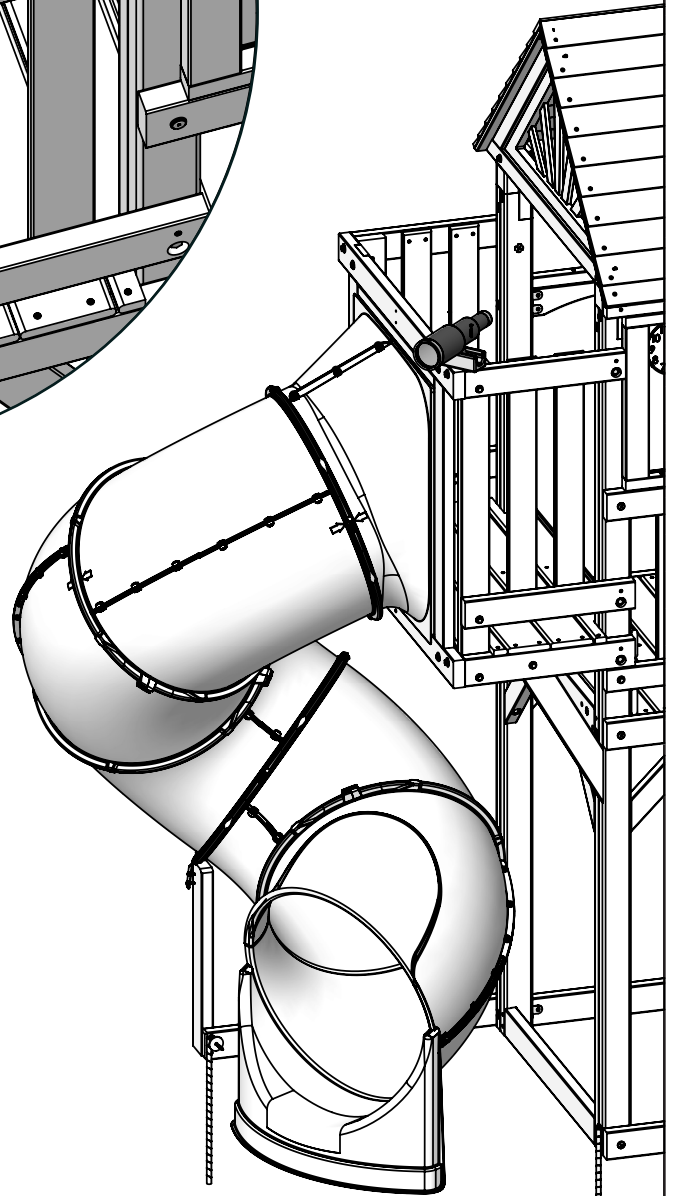
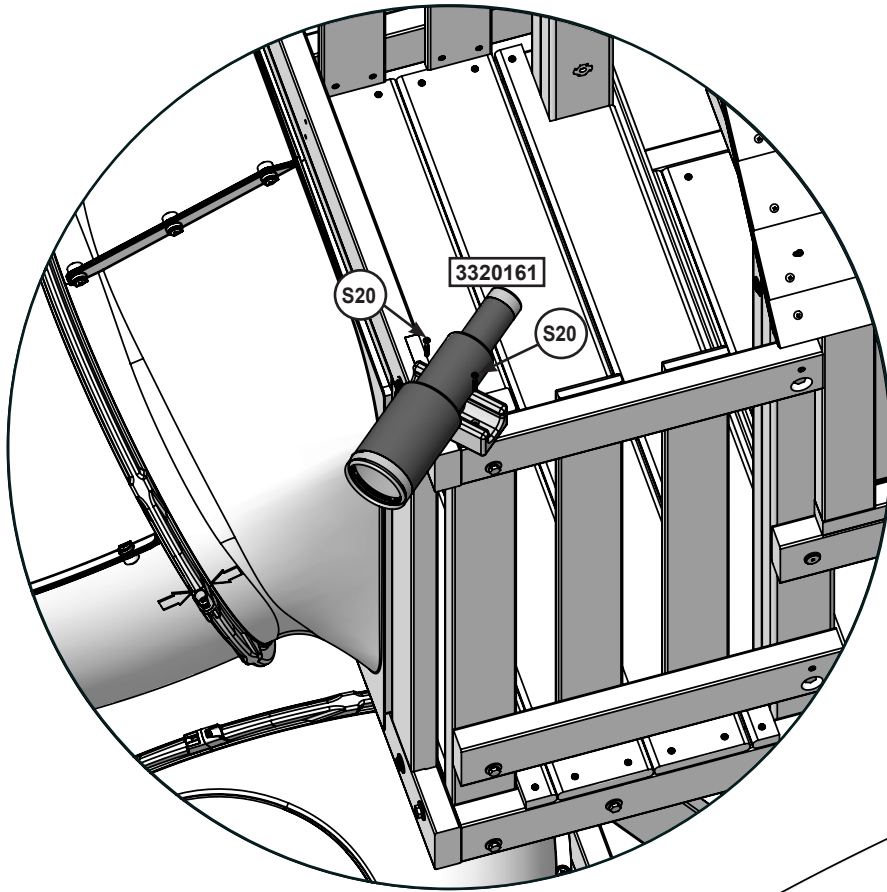
Hardware

1 x  7.9mm x 60.3 mm (5/16 x 2-3/8") (FW2, TN2)

Other Parts

1 x 

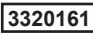
Step 67



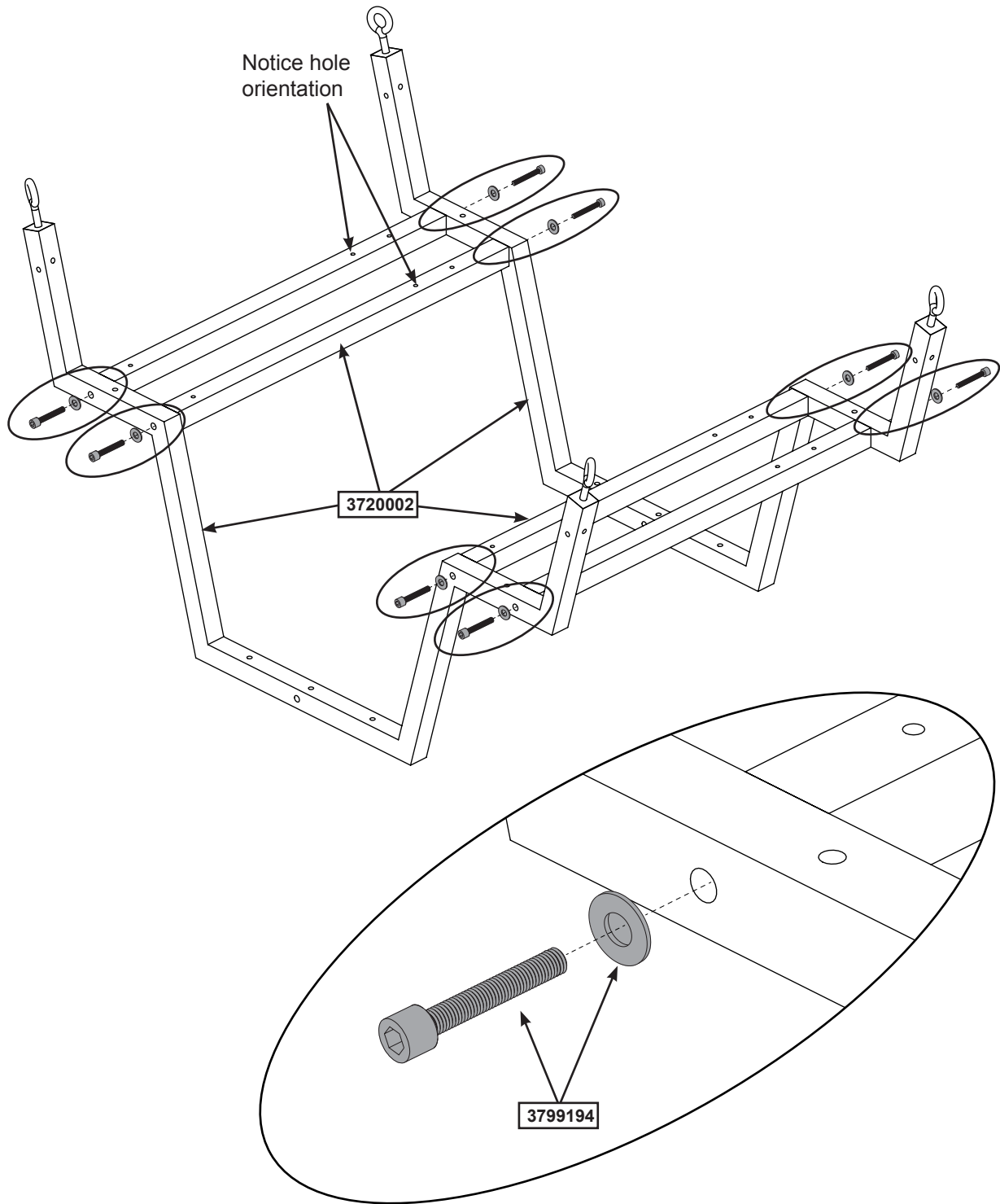
Hardware

2 x  #8 x 35mm (#8 x 1-3/8")

Other Parts

1 x 

Step 68

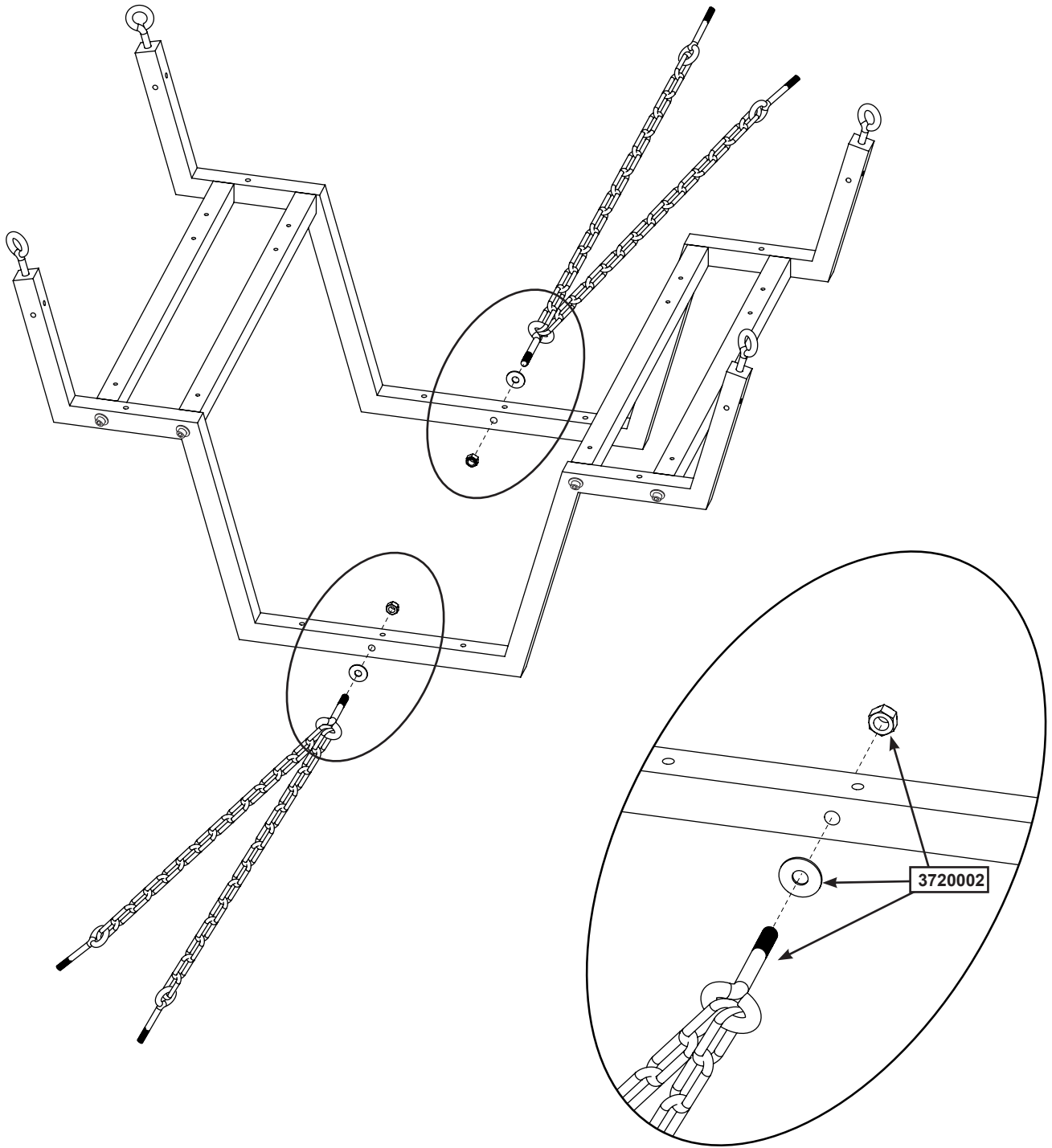


Other Parts

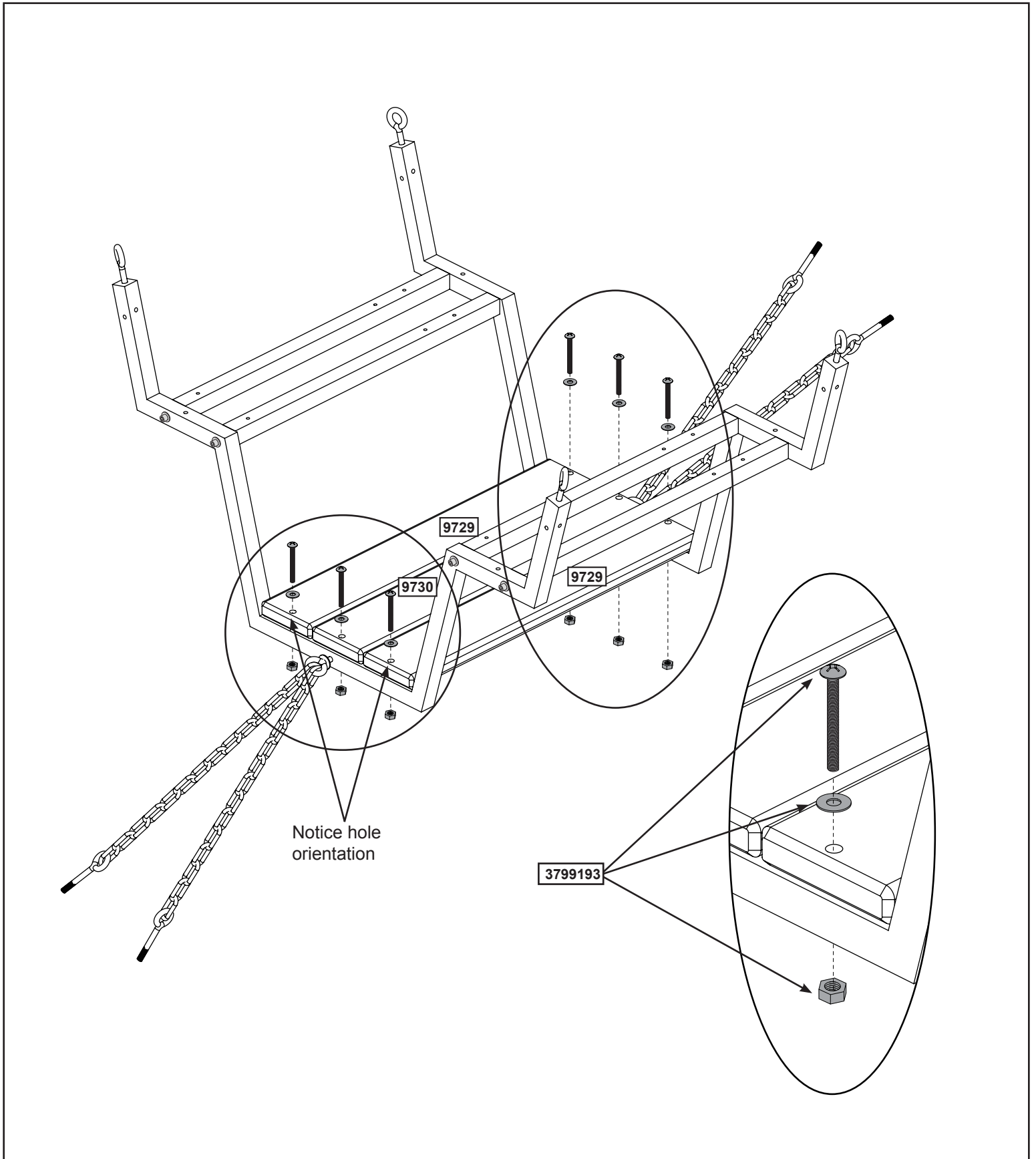
8 x 3799194

1 x 3720002

Step 69



Step 70



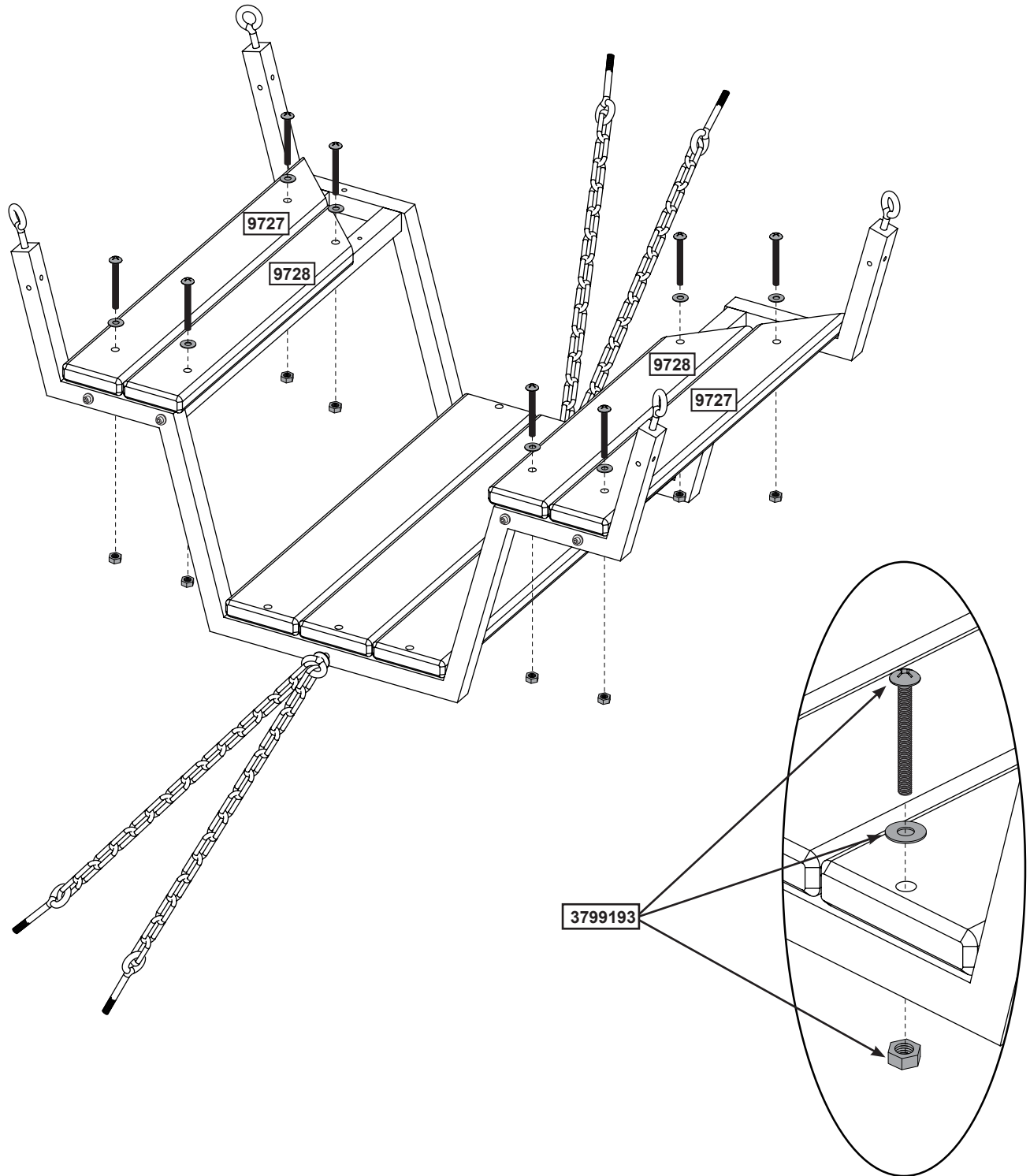
Wood Parts

- 2 x **9729** 23.8 x 101.6 x 584.8 mm (15/16" x 4" x 23")
- 1 x **9730** 23.8 x 101.6 x 584.8 mm (15/16" x 4" x 23")

Other Parts

- 6 x **3799193**

Step 71



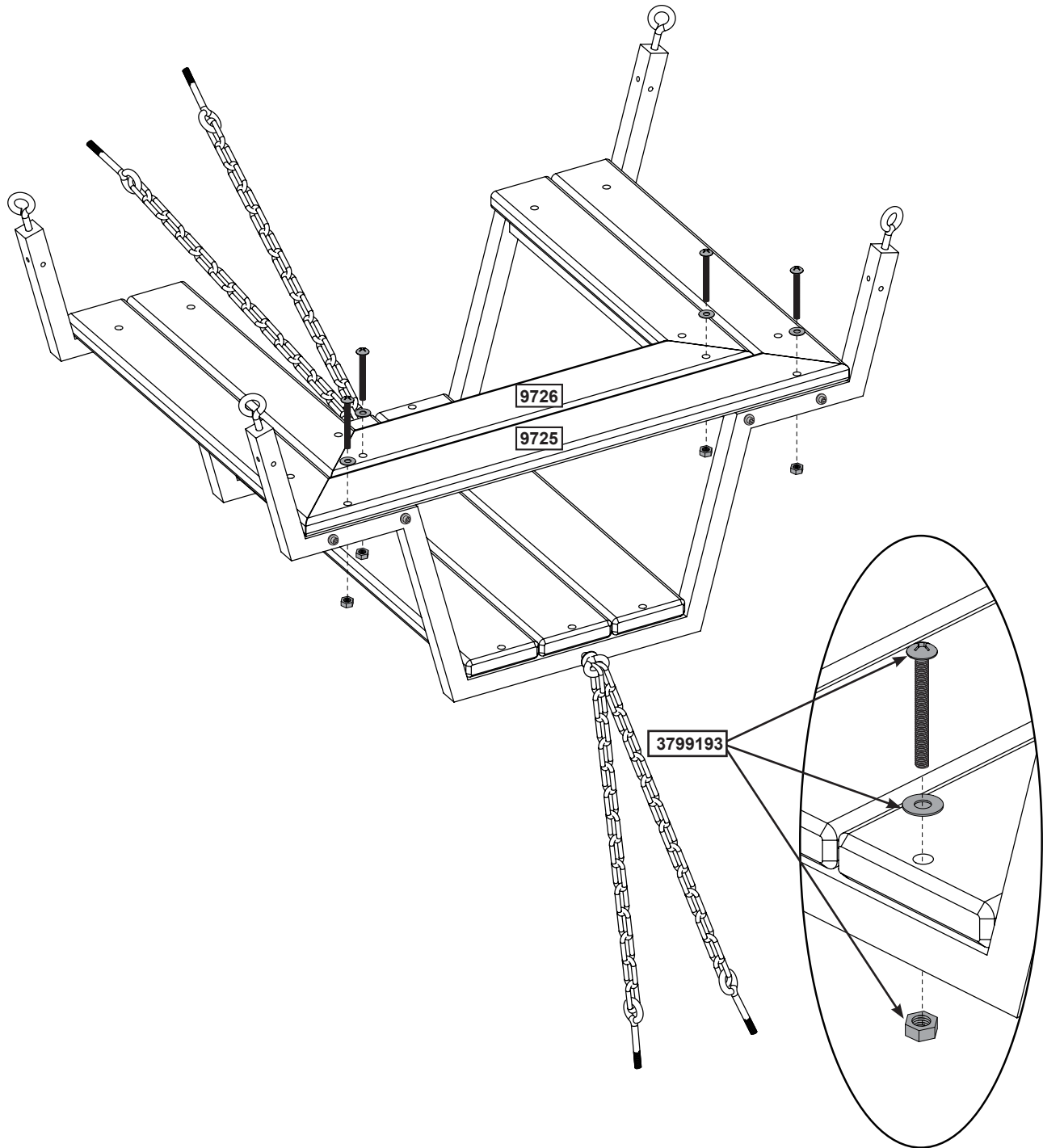
Wood Parts

- 2 x 9727 23.8 x 82.6 x 584.8 mm (15/16" x 3-1/4" x 23")
- 2 x 9728 23.8 x 82.6 x 500.2 mm (15/16" x 3-1/4" x 19-11/16")

Other Parts

- 8 x 3799193

Step 72



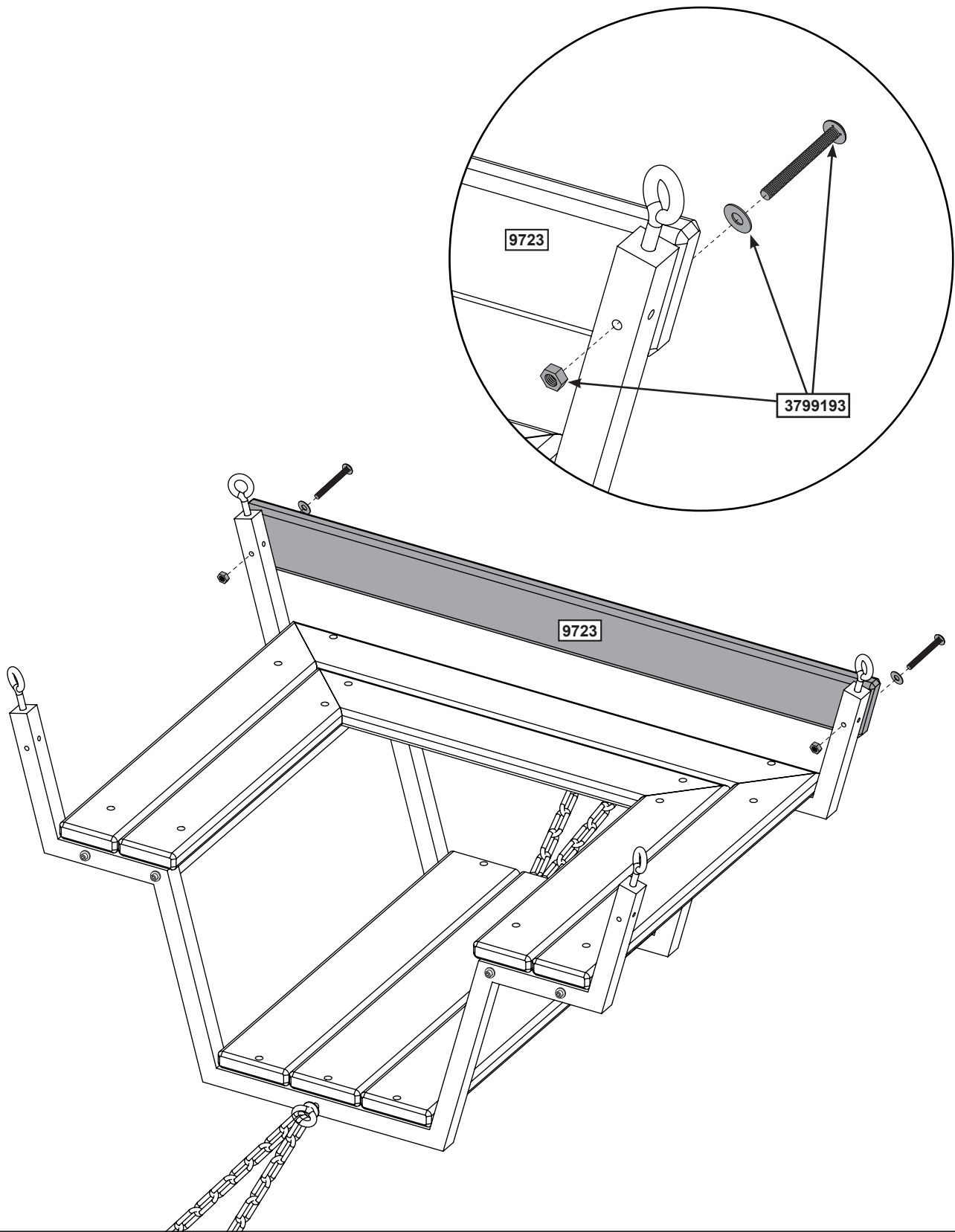
Wood Parts

- 1 x **9725** 23.8 x 82.6 x 761.2 mm (15/16" x 3-1/4" x 30")
- 1 x **9726** 23.8 x 82.6 x 592.3 mm (15/16" x 3-1/4" x 23-5/16")

Other Parts

- 4 x **3799193**

Step 73



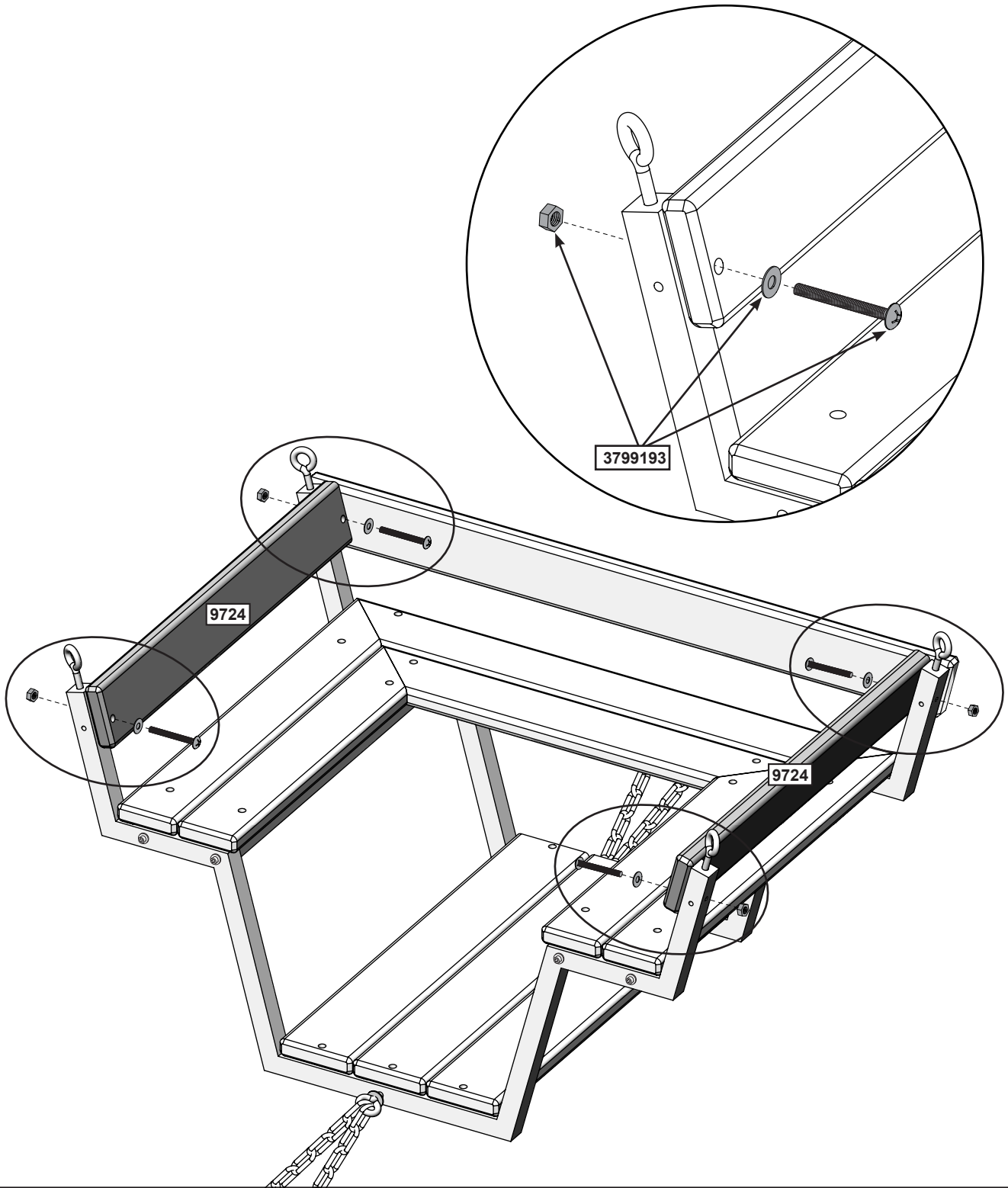
Wood Parts

1 x 9723 23.8 x 82.6 x 896.1 mm (15/16" x 3-1/4" x 35-1/4")

Other Parts

2 x 3799193

Step 74



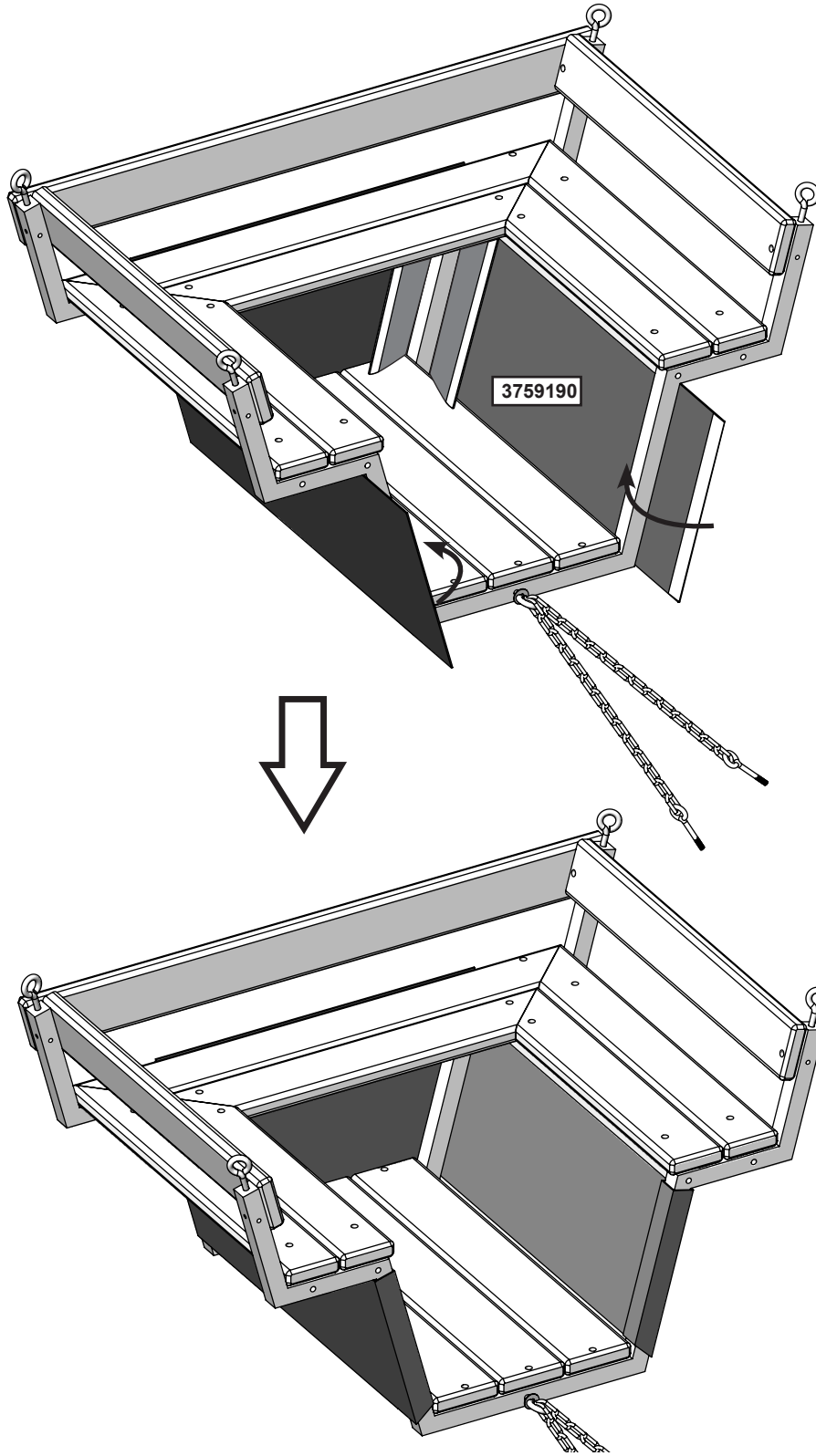
Wood Parts

2 x **9724** 23.8 x 82.6 x 584.8 mm (15/16" x 3-1/4" x 23")

Other Parts

4 x **3799193**

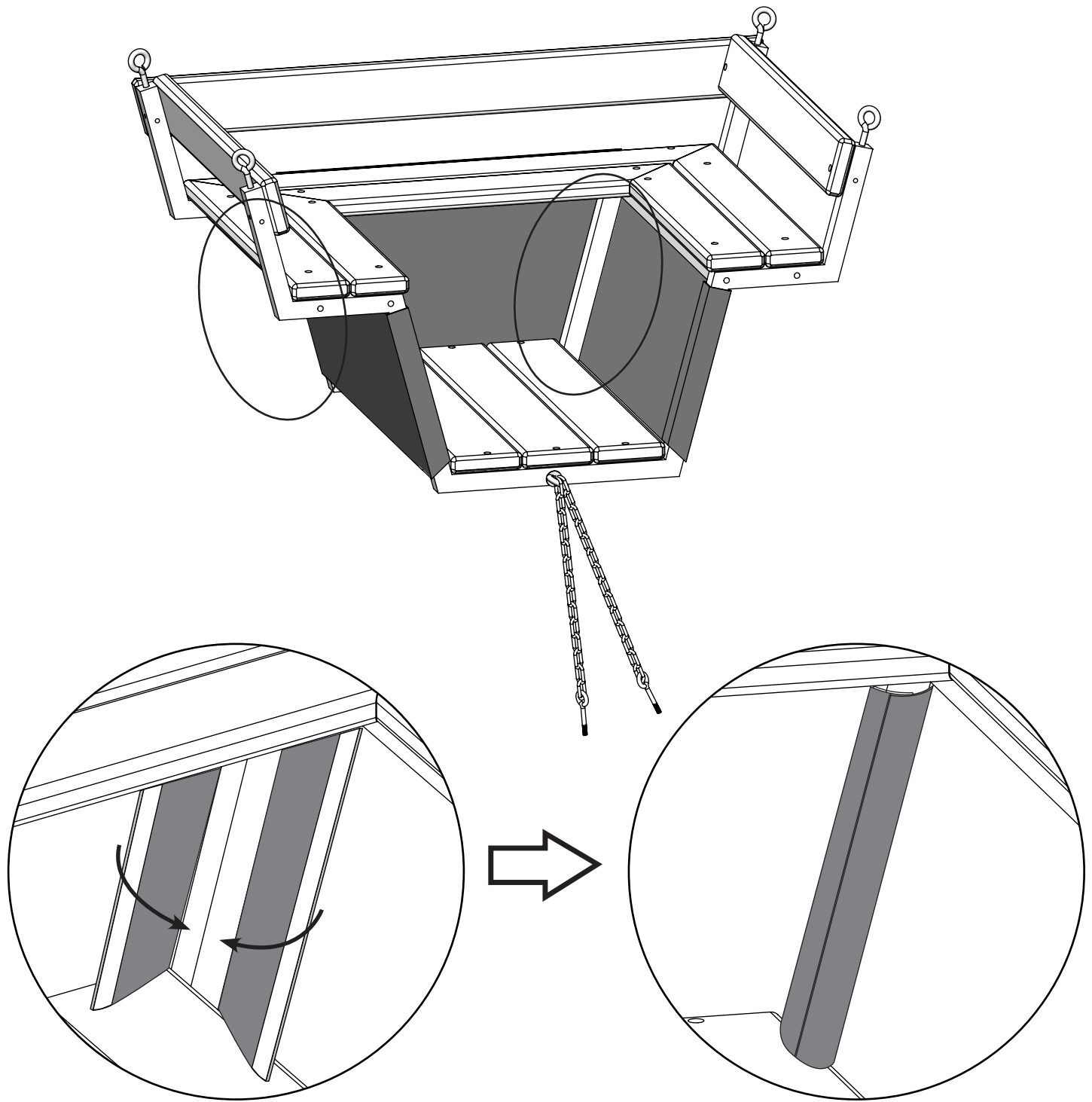
Step 75



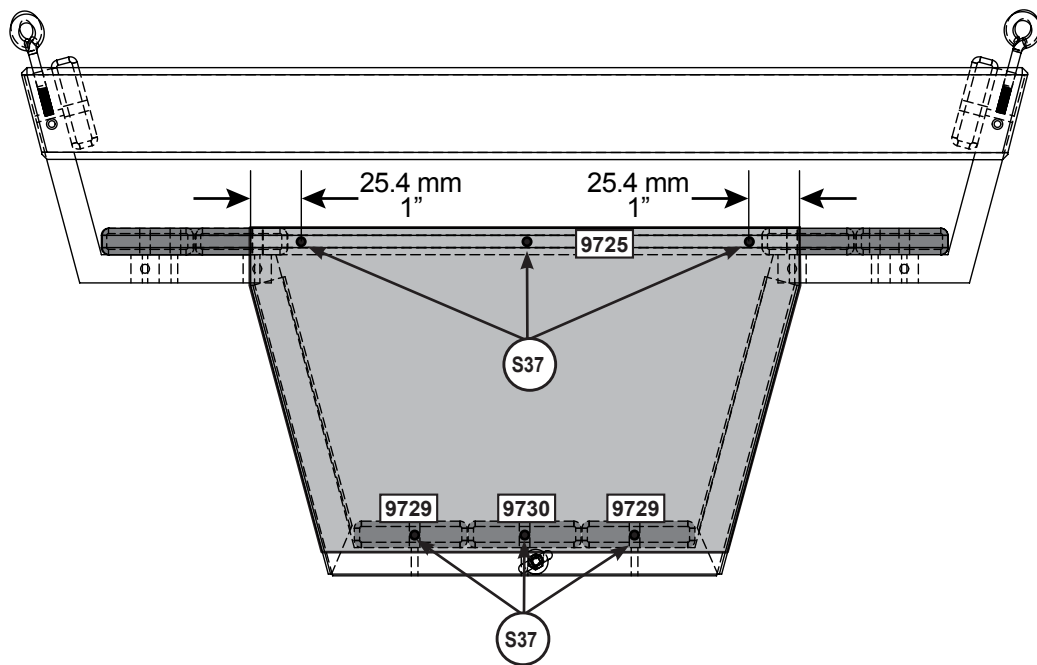
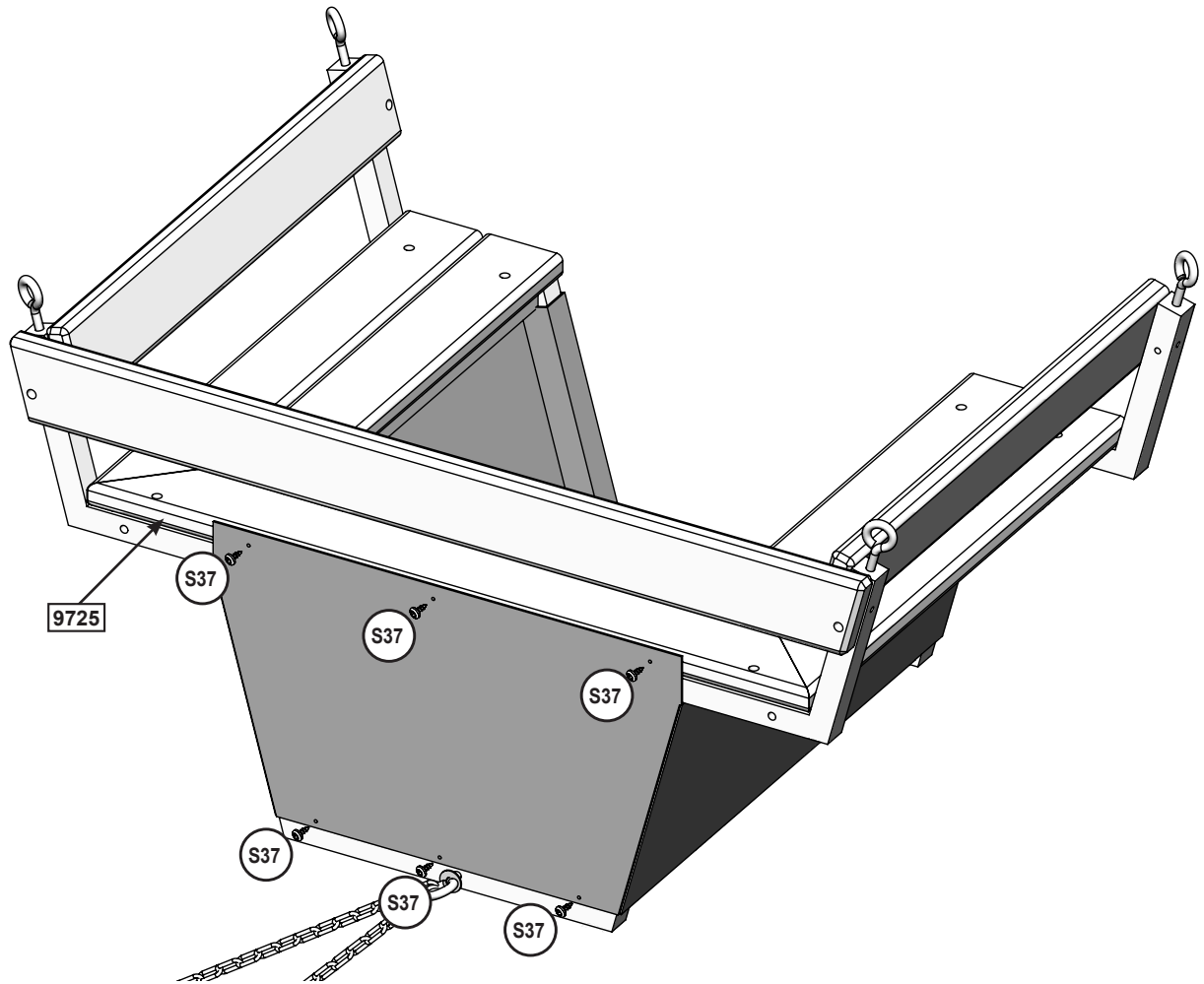
Other Parts

1 x **3759190**


Step 76



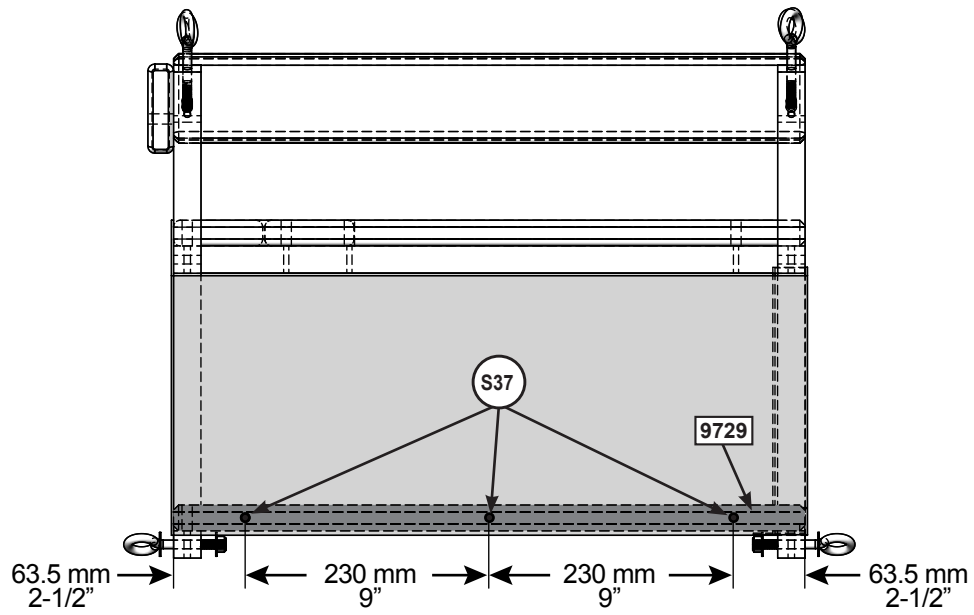
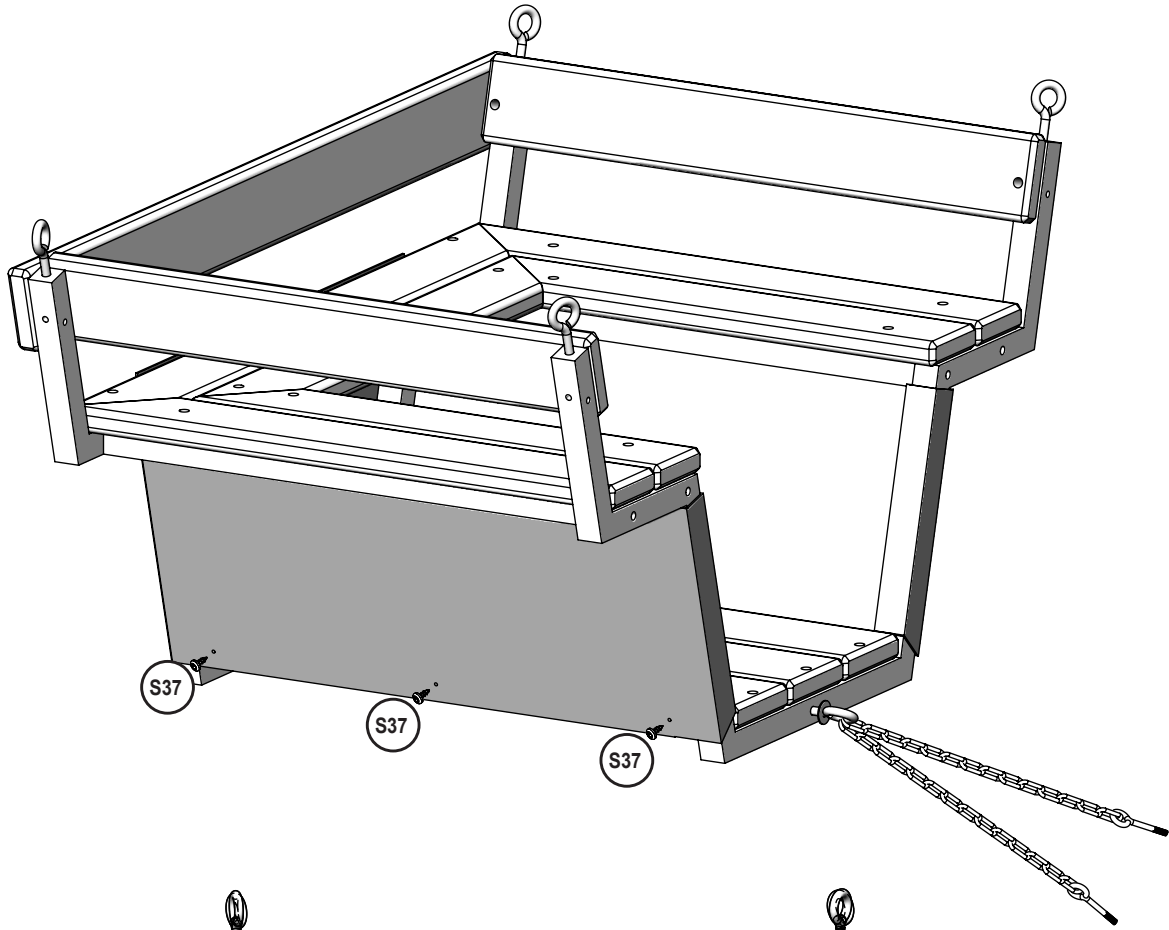
Step 77



Hardware

6 x  #7 x 15.87mm (#7 x 5/8")

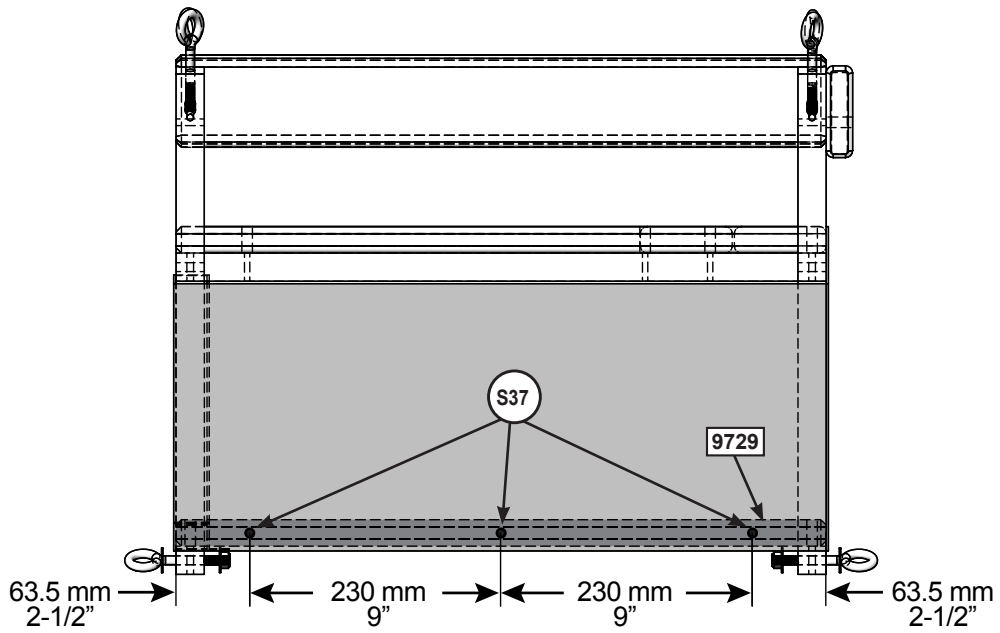
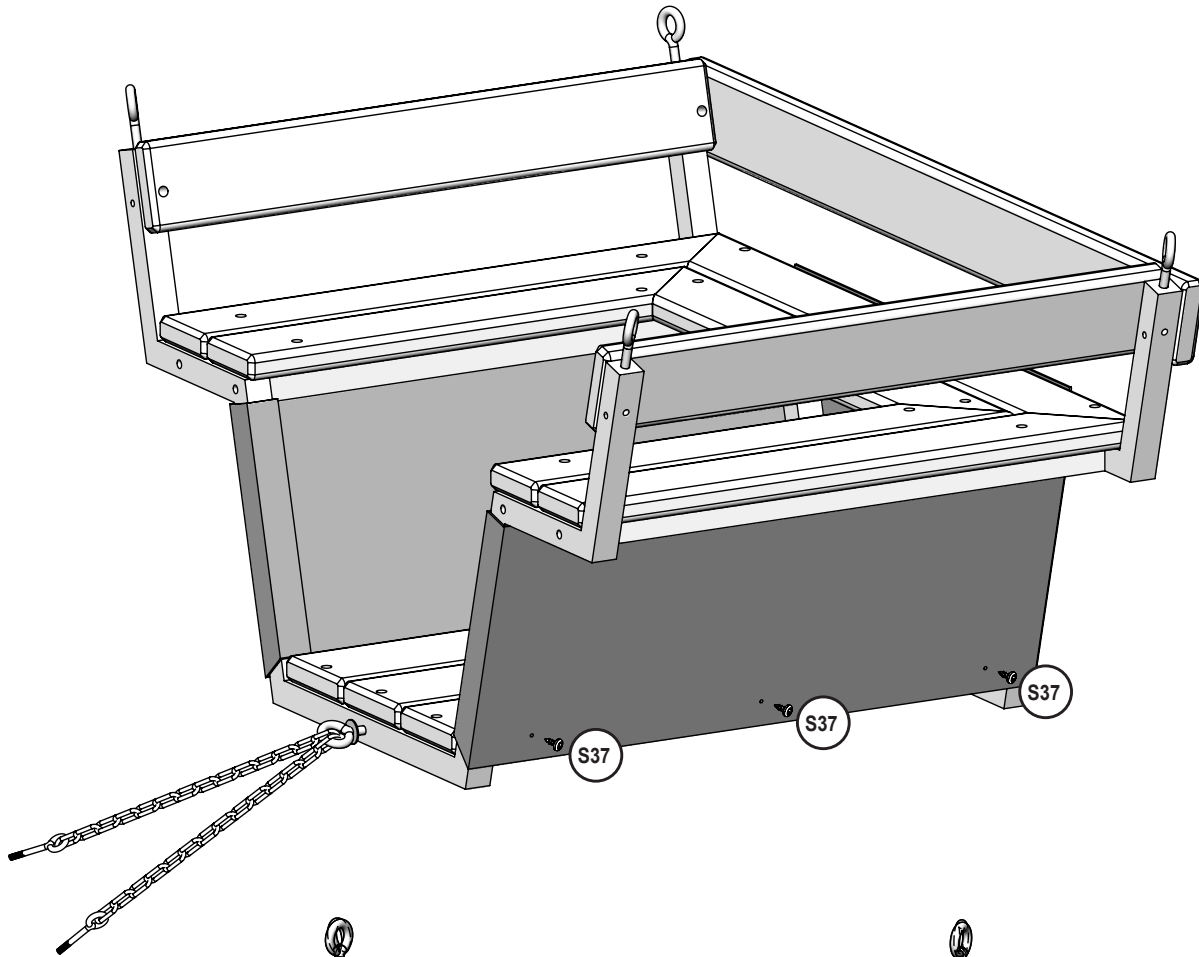
Step 78



Hardware

3 x (S37) #7 x 15.87mm (#7 x 5/8")

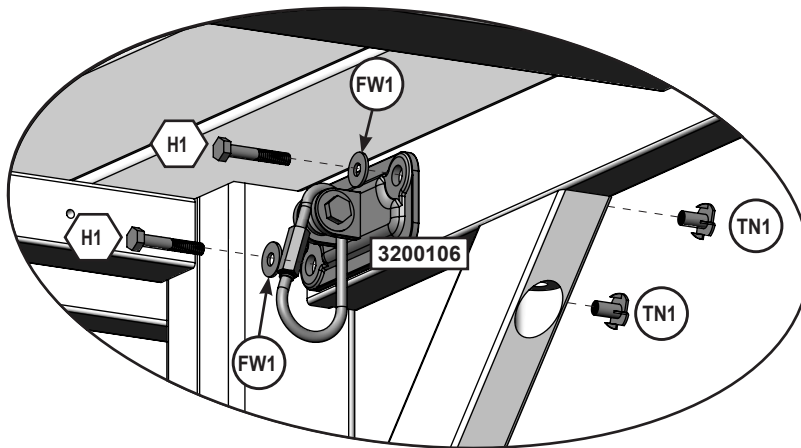
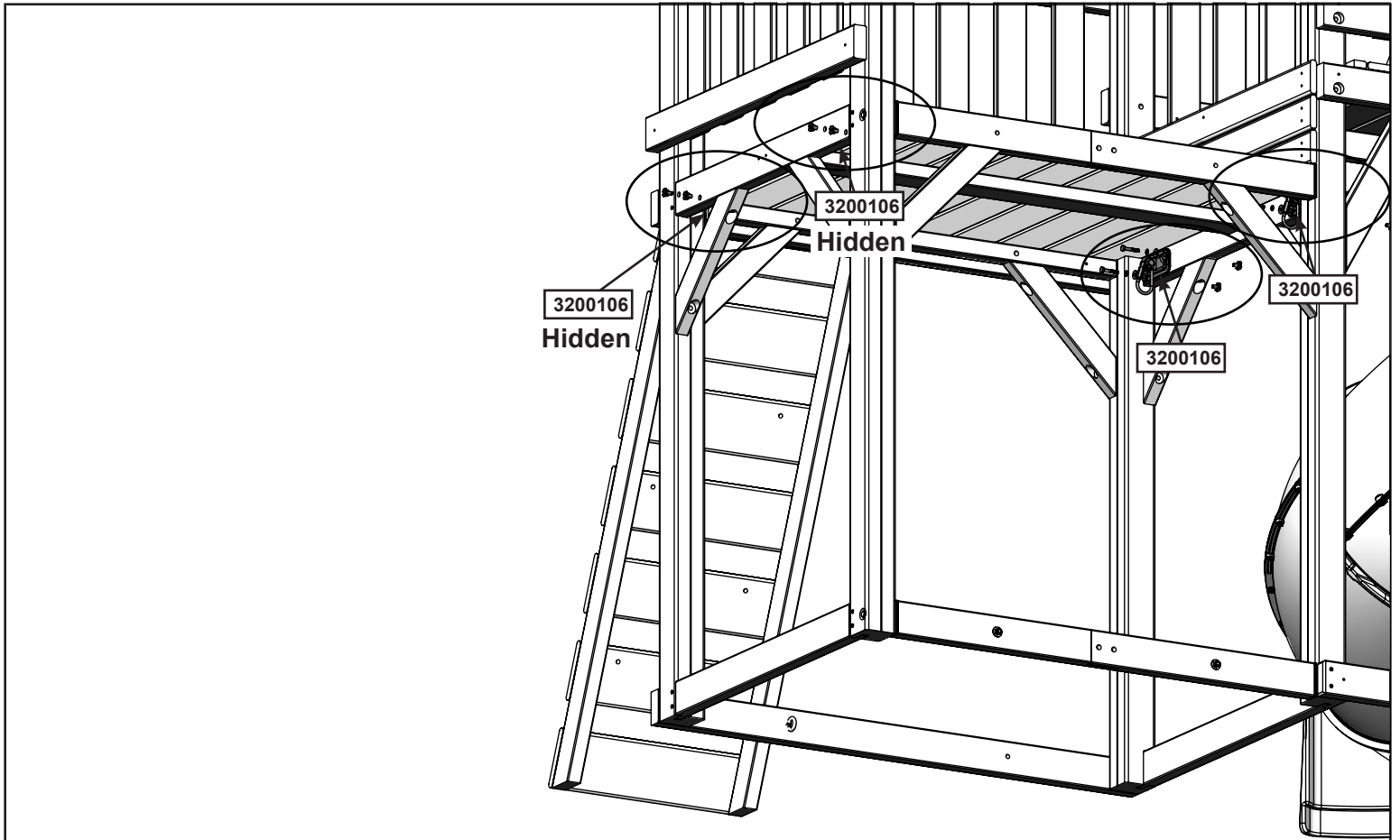
Step 79



Hardware

3 x (S37) #7 x 15.87mm (#7 x 5/8")


Step 80



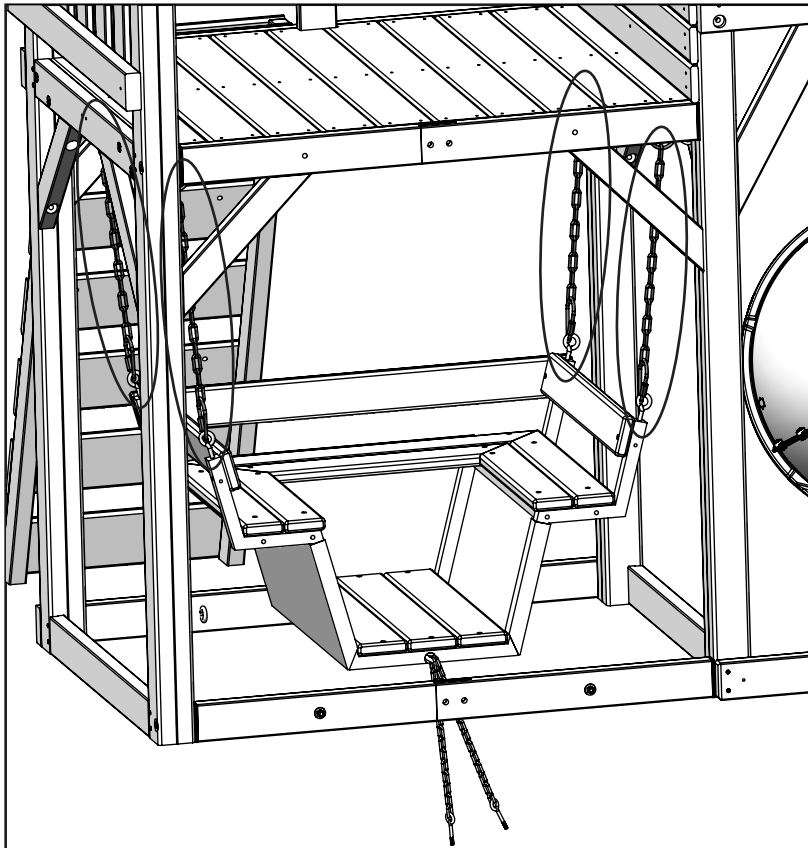
Hardware

8 x  6.4mm x 38.1mm (1/4 x 1-1/2") (FW1, TN1)

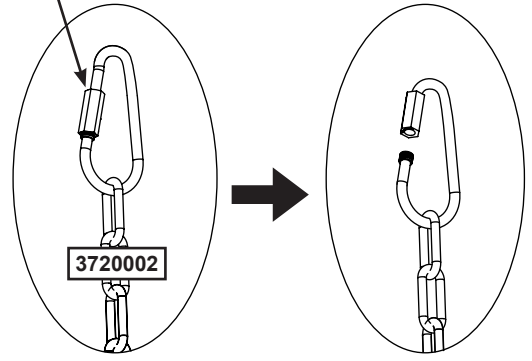
Other Parts

1 x 

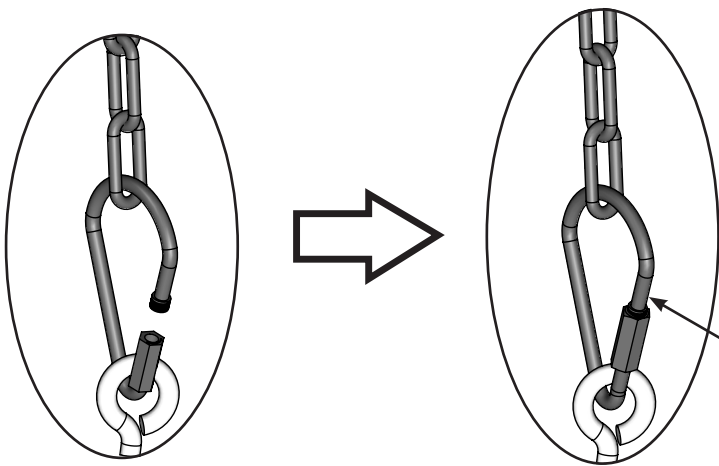
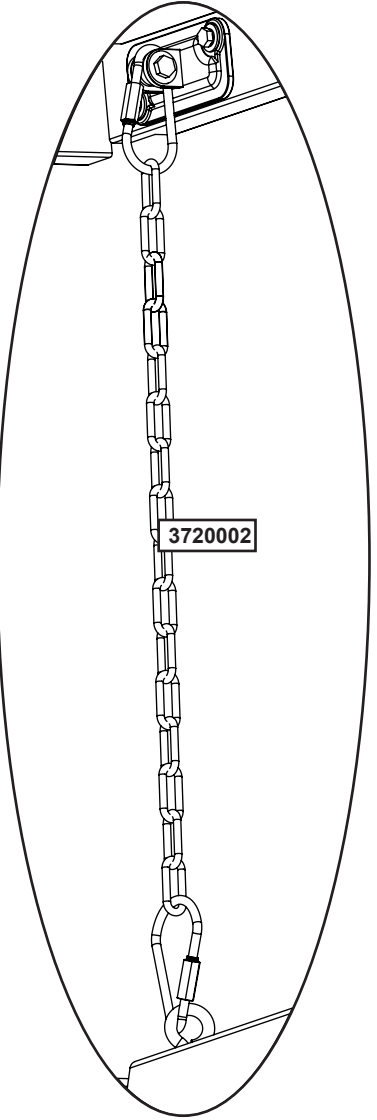
Step 81



Quick Link
Tighten Threaded Quick Link using adjustable wrench



Caution: Threaded Quick Links must be installed with the gate completely down covering the threads and tighten as instructed.

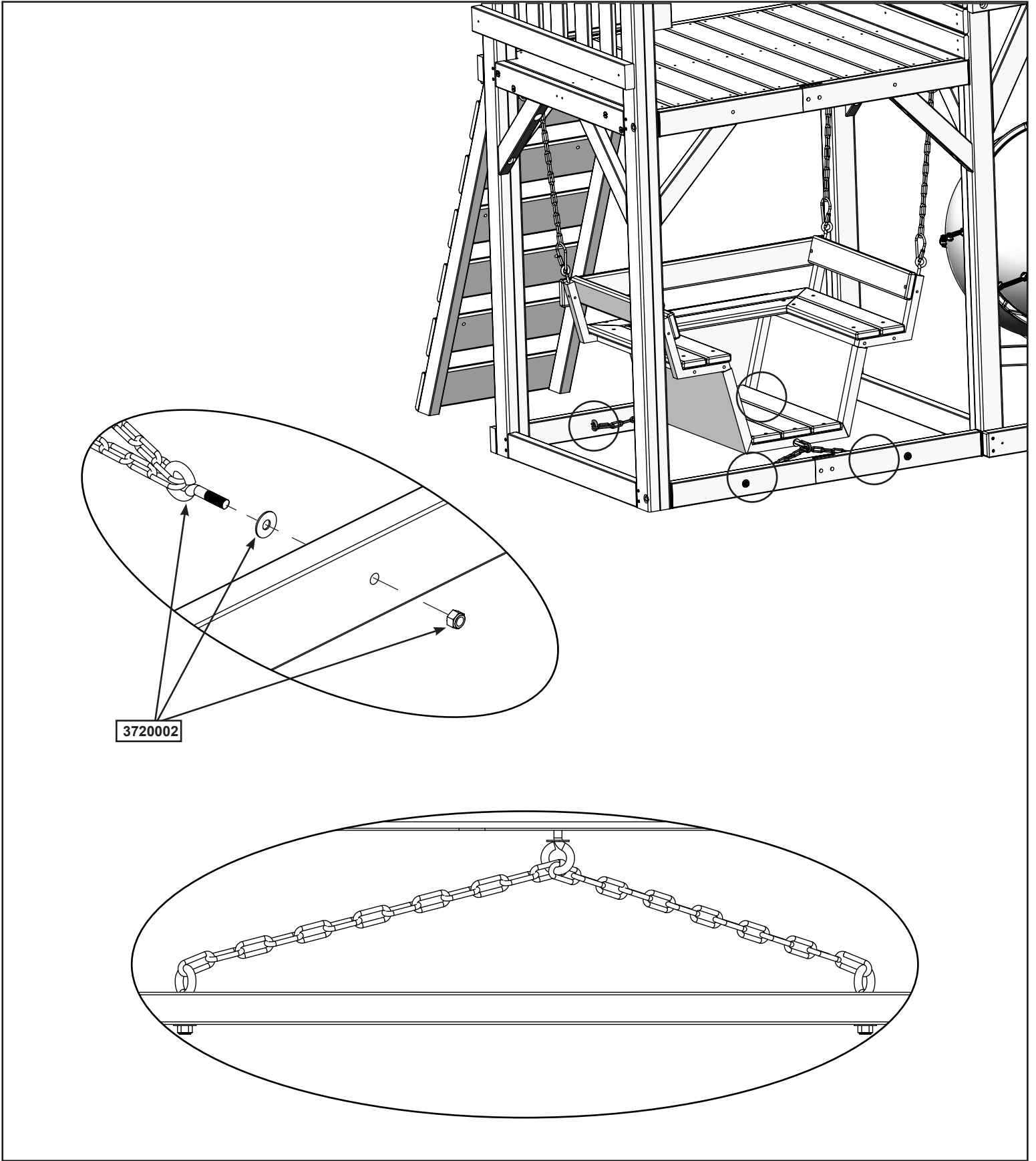


Threaded Quick Links attach to chat swing and the fort.

Tighten Threaded Link using adjustable wrench

Quick Link

Step 82

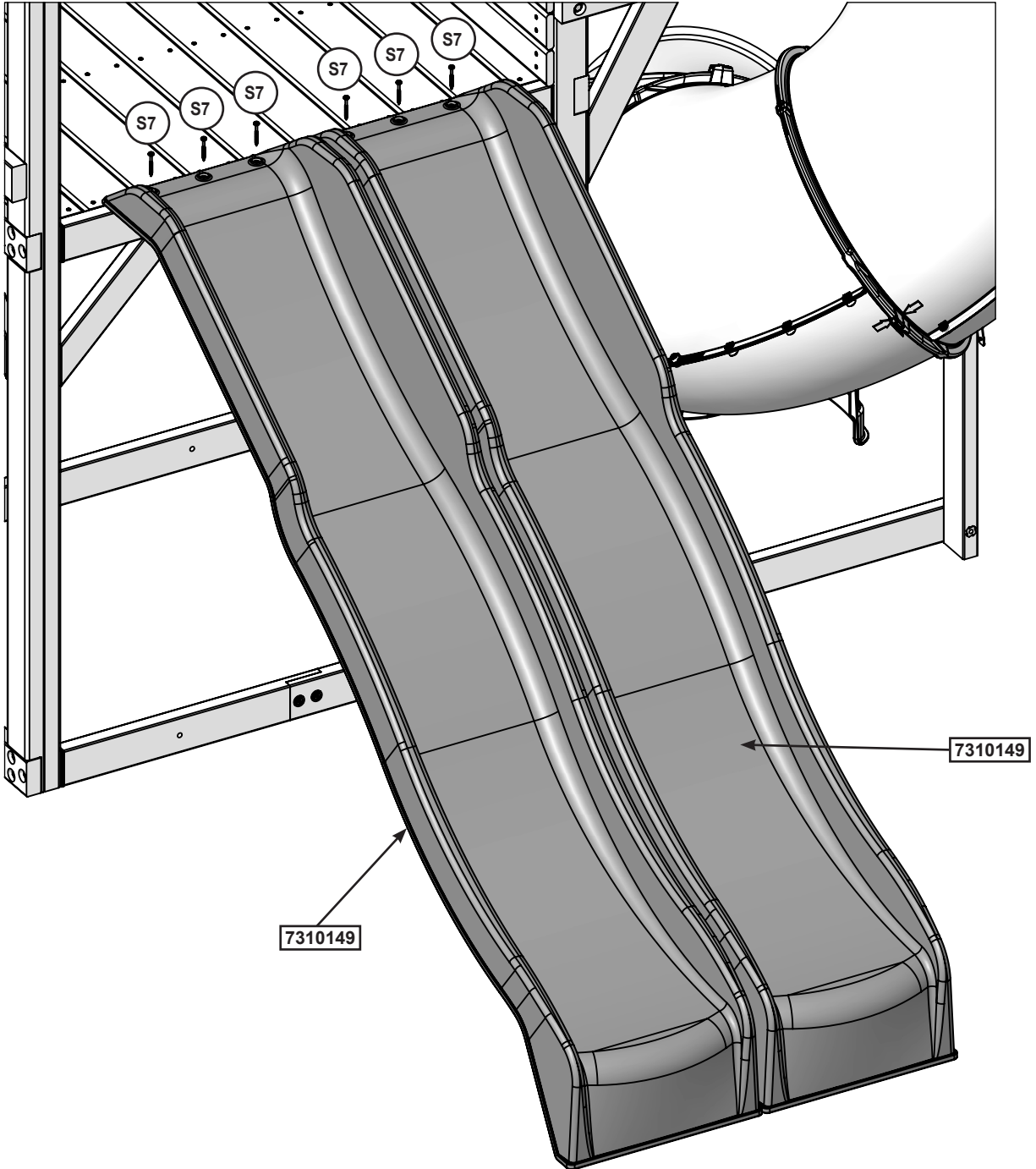


3720002

Step 83



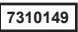
Note: Pre-drill all holes using a 1/8" drill bit before installing the S7 screws.



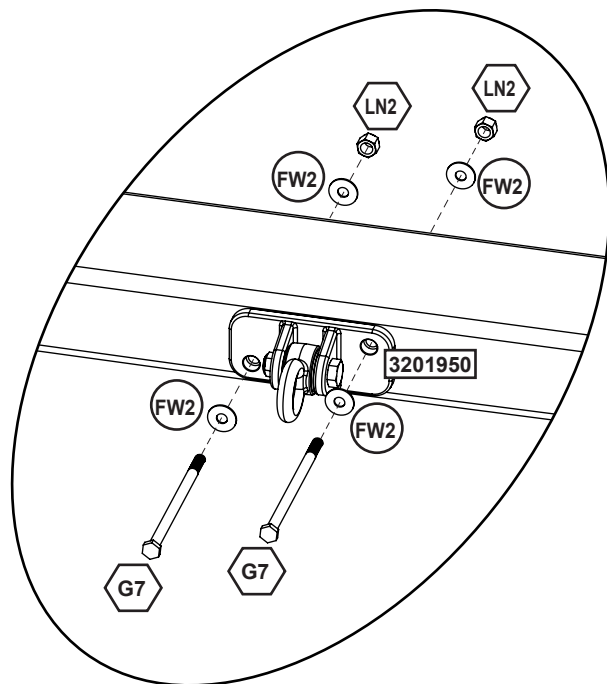
Hardware

6 x  #12 x 50.8mm (#12 x 2")

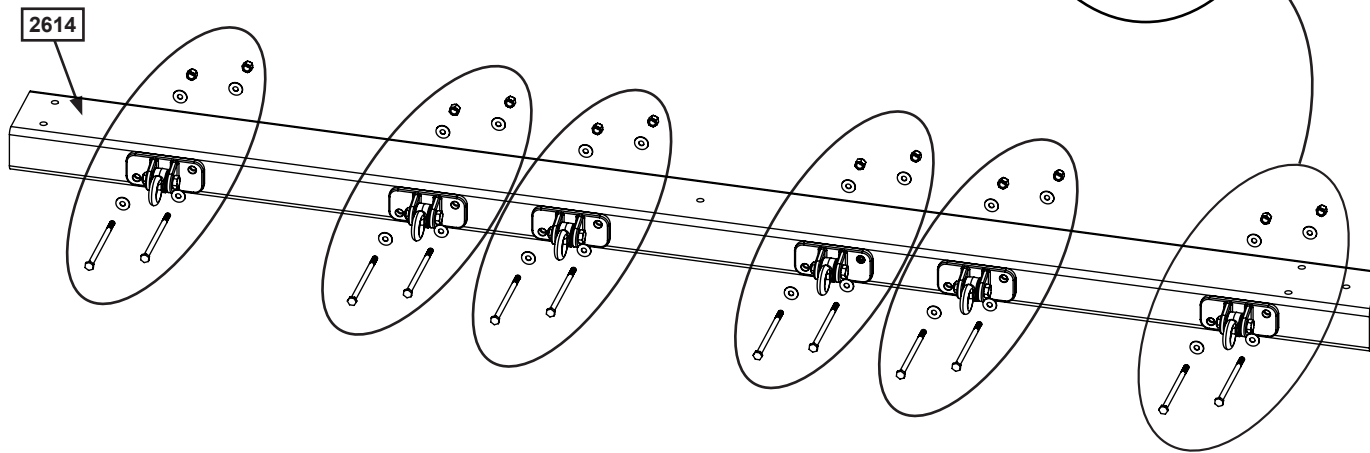
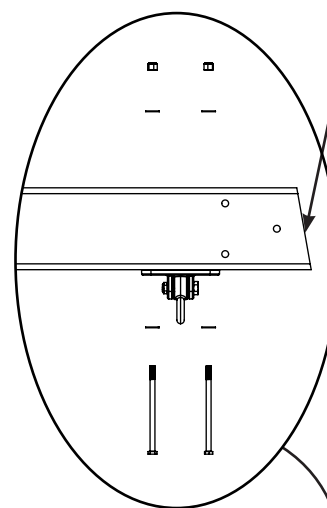
Other Parts

2 x 

Step 84



Notice Angle Orientation



Wood Parts

1 x **2614** 76.2 x 133.4 x 2235.2 mm (3" x 5-1/4" x 88")

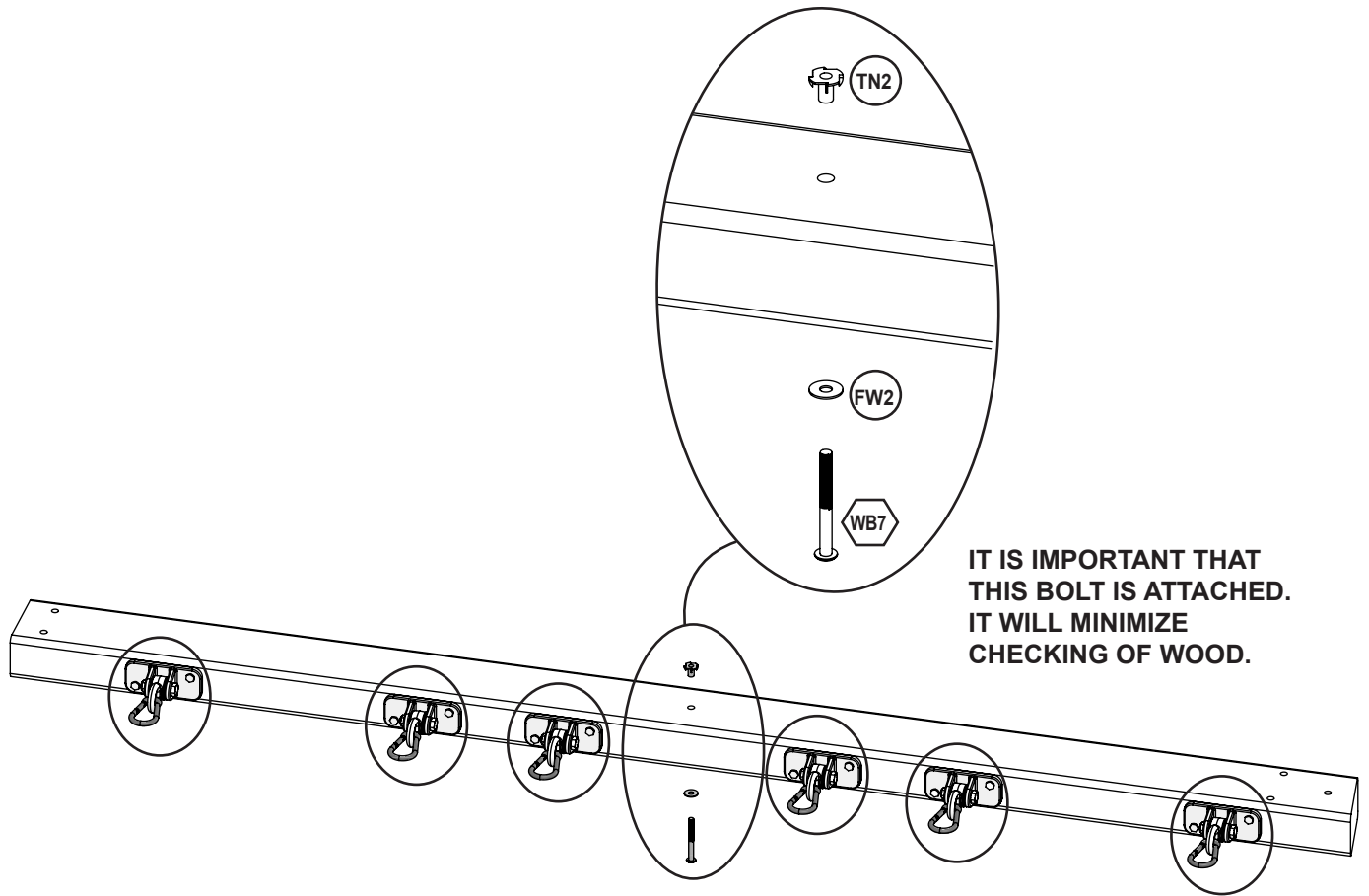
Hardware

12 x **G7** 7.9mm x 139.7 mm (5/16 x 5-1/2") (LN2, 2 x FW2)

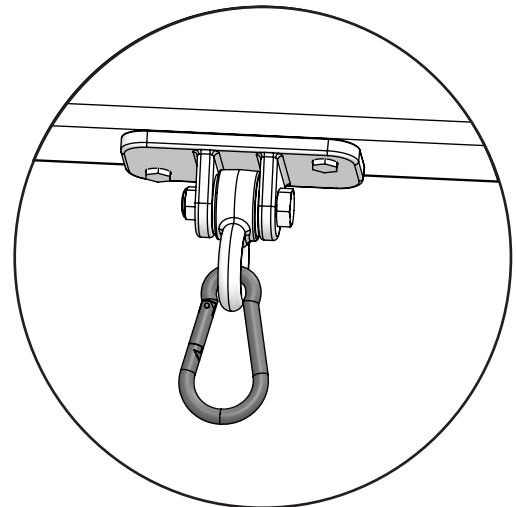
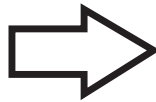
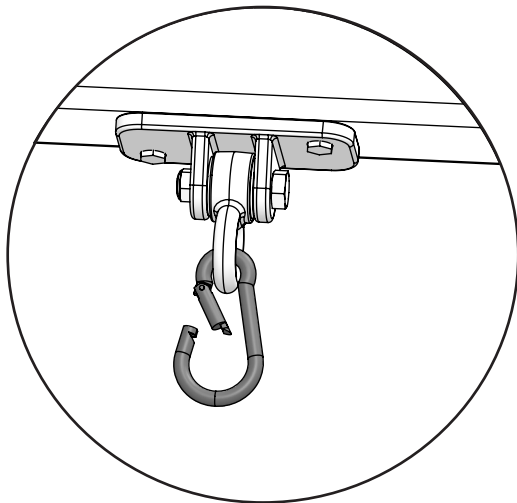
Other Parts

1 x **3201950**

Step 85




IT IS IMPORTANT THAT THIS BOLT IS ATTACHED. IT WILL MINIMIZE CHECKING OF WOOD.

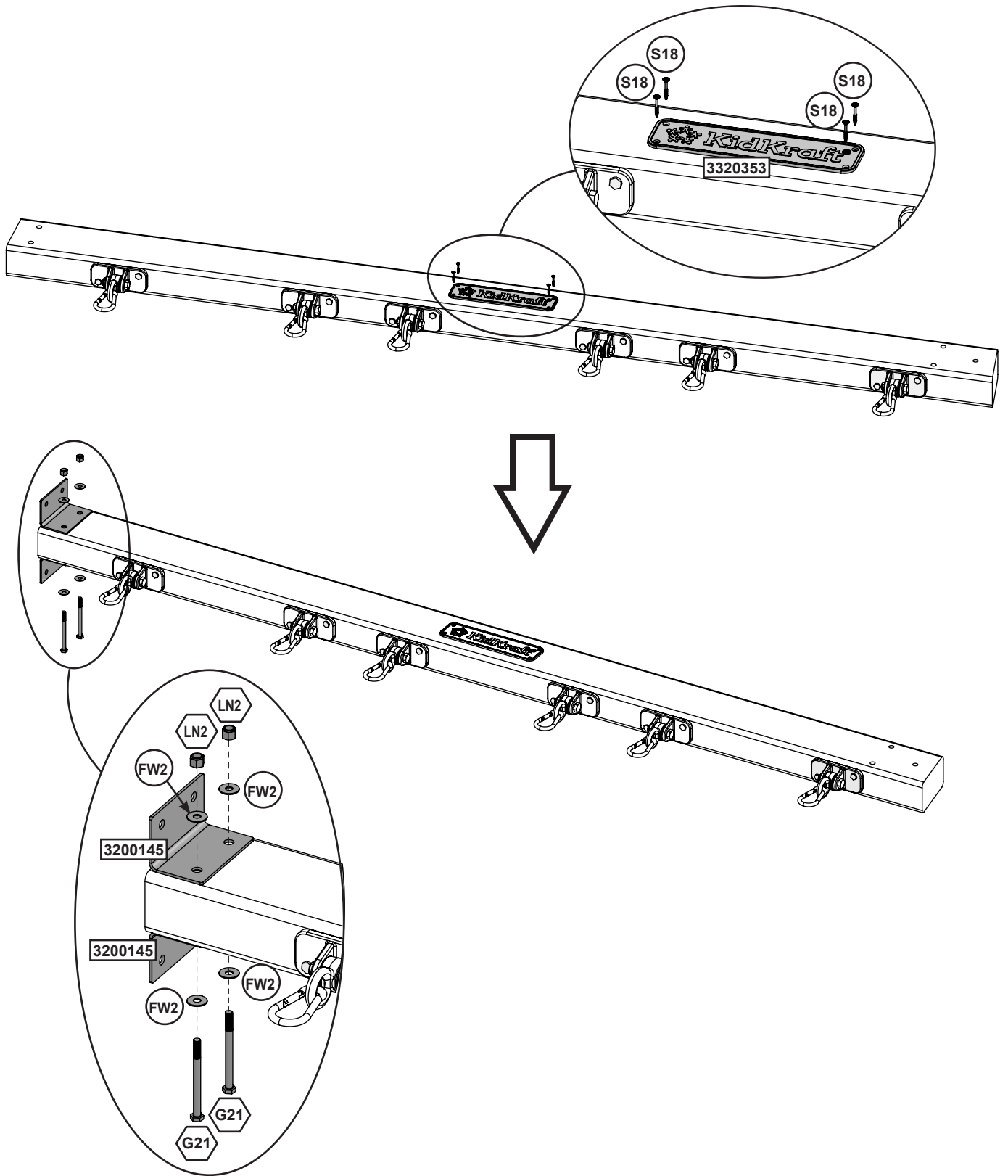


Caution: The Spring Loaded Quick Link must be attached to the Heavy Duty Swing Hanger in the closed position.

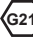

Hardware

1 x  7.9mm x 76.2mm (5/16 x 3") (FW2 , TN2)

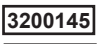

Step 86



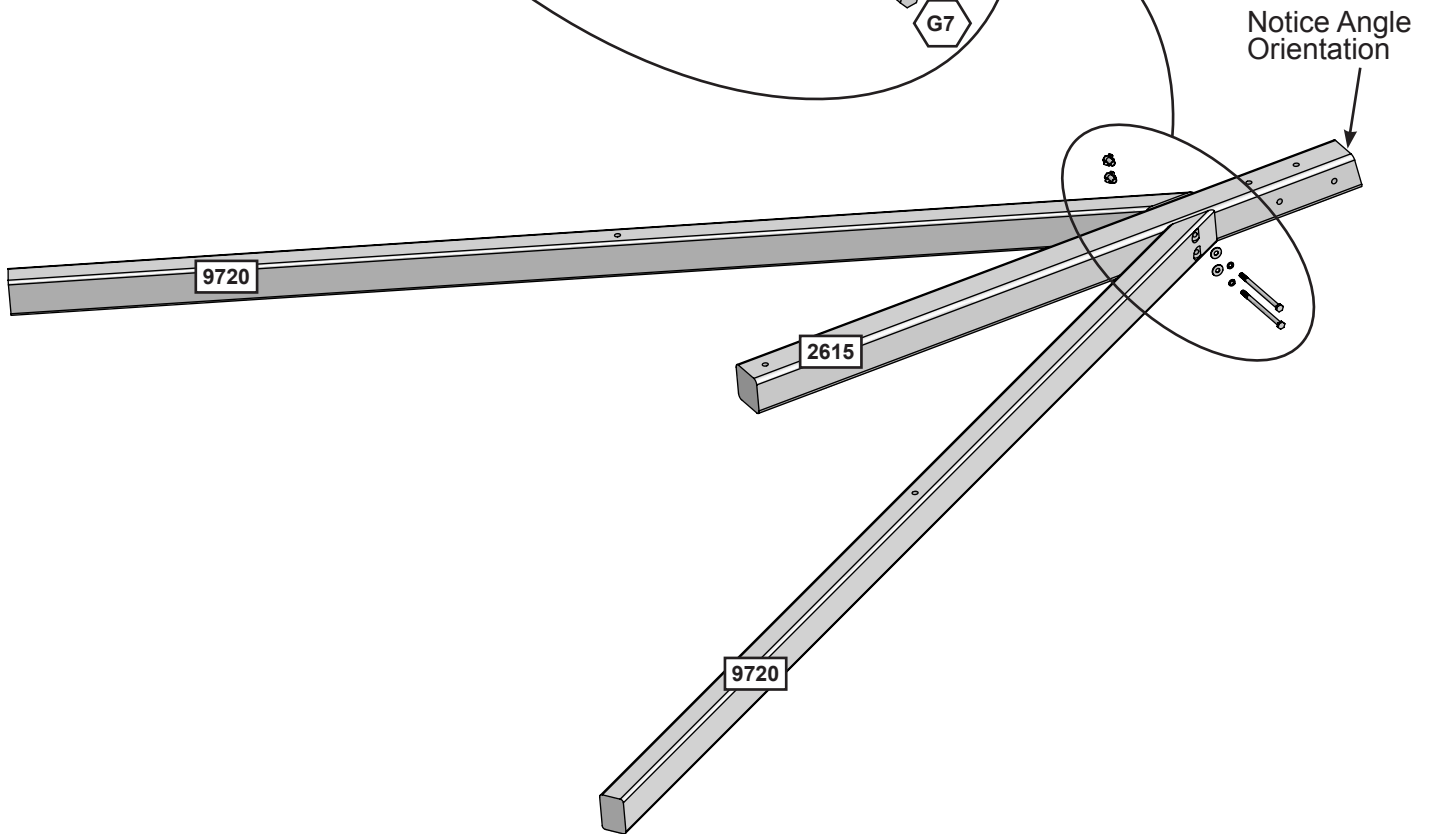
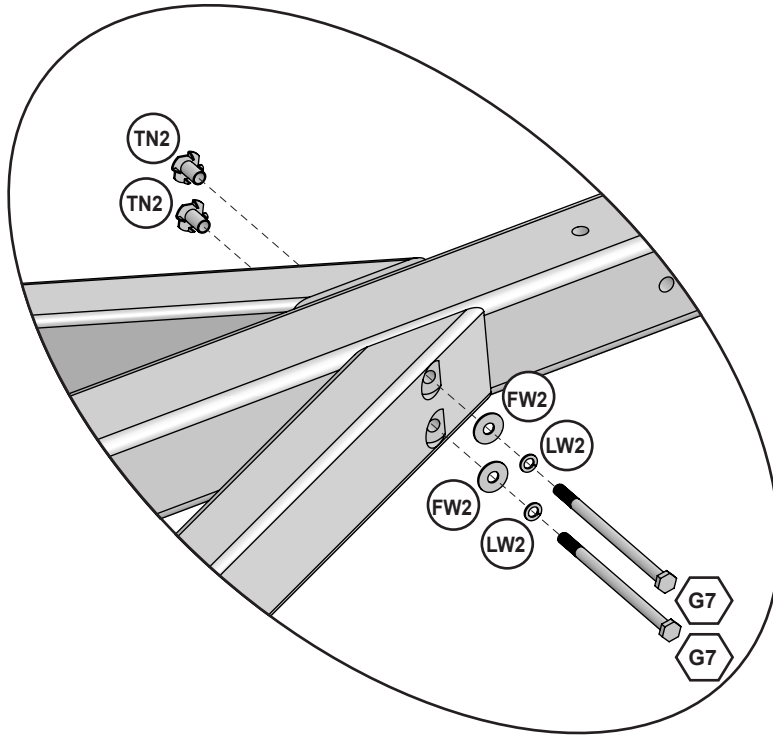
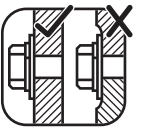
Hardware

- 2 x  7.9mm x 95 mm (5/16 x 3-3/4") (LN2, 2 x FW2)
- 4 x  #6 x 25.4mm (#6 x 1")

Other Parts

- 1 x 
- 1 x 

Step 87



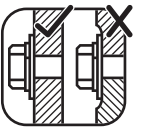
Wood Parts

- 2 x 9720 50.8 x 76.2 x 2063.9 mm (2" x 3" x 81-1/4")
- 1 x 2615 76.2 x 76.2 x 1294.3 mm (3" x 3" x 50-15/16")

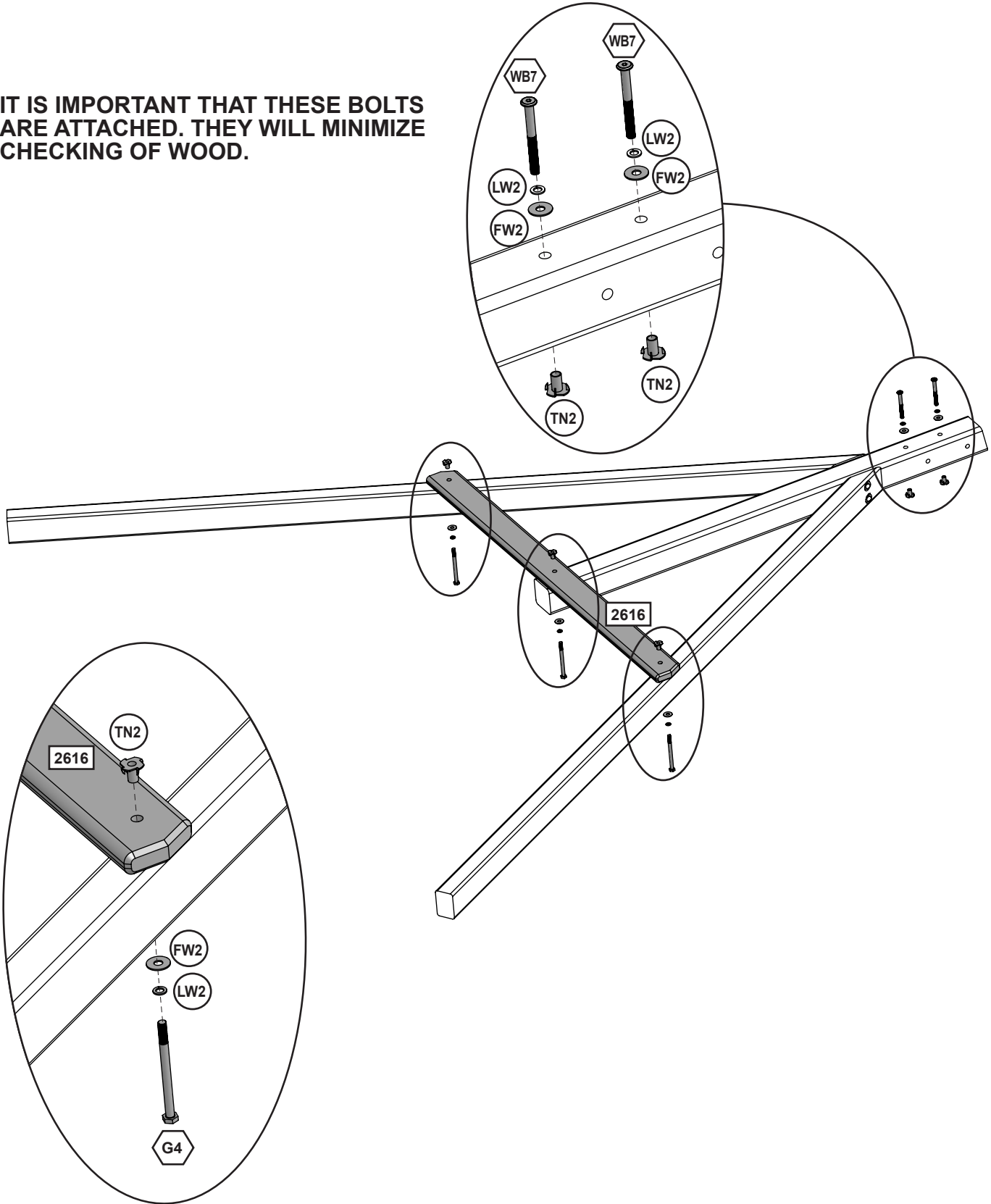
Hardware

- 2 x G7 7.9mm x 139.7 mm (5/16 x 5-1/2") (LW2,FW2,TN2)

Step 88



IT IS IMPORTANT THAT THESE BOLTS ARE ATTACHED. THEY WILL MINIMIZE CHECKING OF WOOD.



Wood Parts

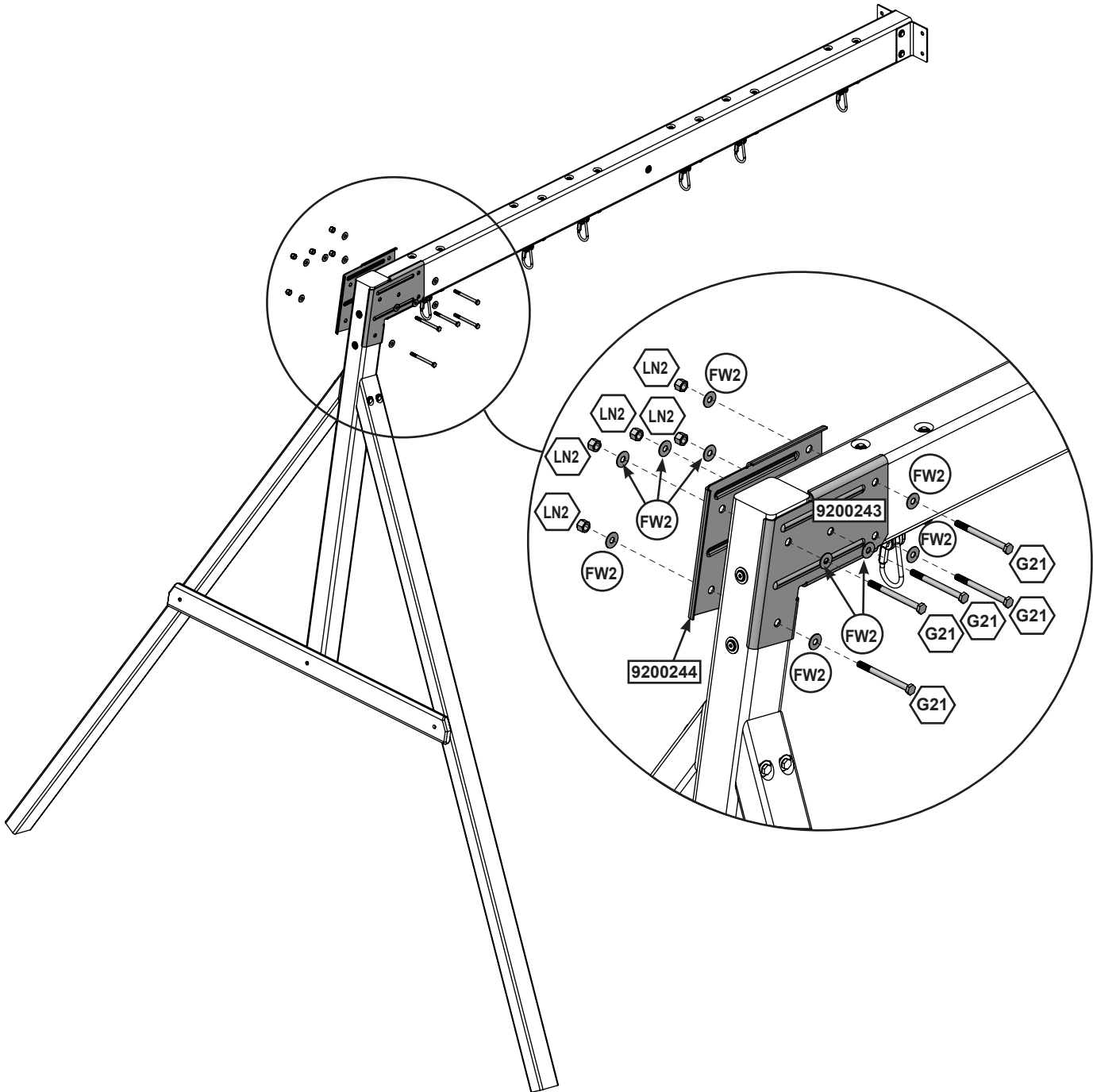
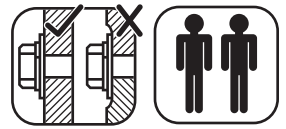
1 x **2616** 23.8 x 82.6 x 1181.1mm (15/16" x 3-1/4" x 46-1/2")

Hardware


3 x **G4** 7.9mm x 101.6mm (5/16 x 4") (LW2,FW2,TN2)

2 x **WB7** 7.9mm x 76.2mm (5/16 x 3") (LW2,FW2,TN2)

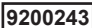
Step 89




Hardware

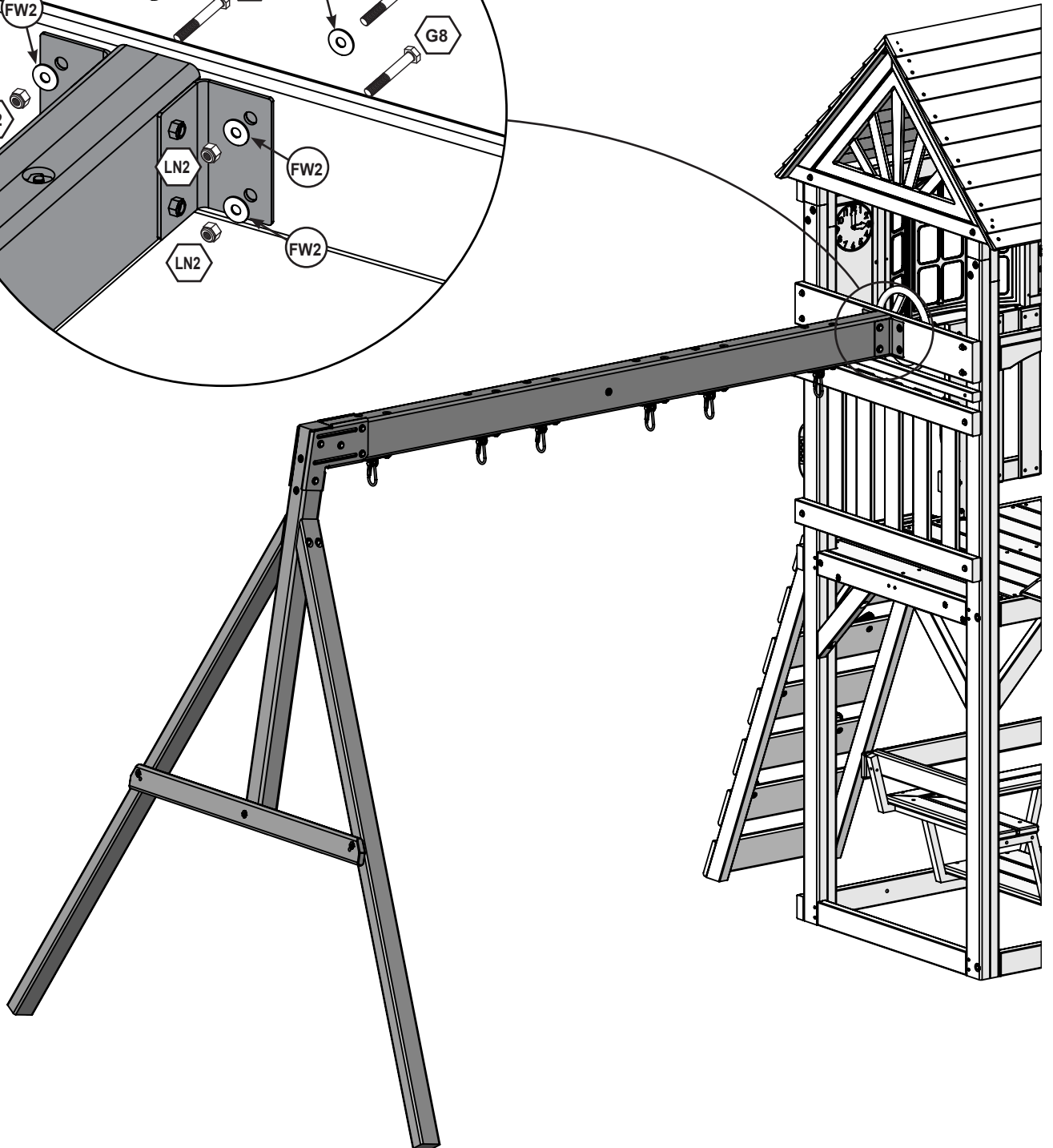
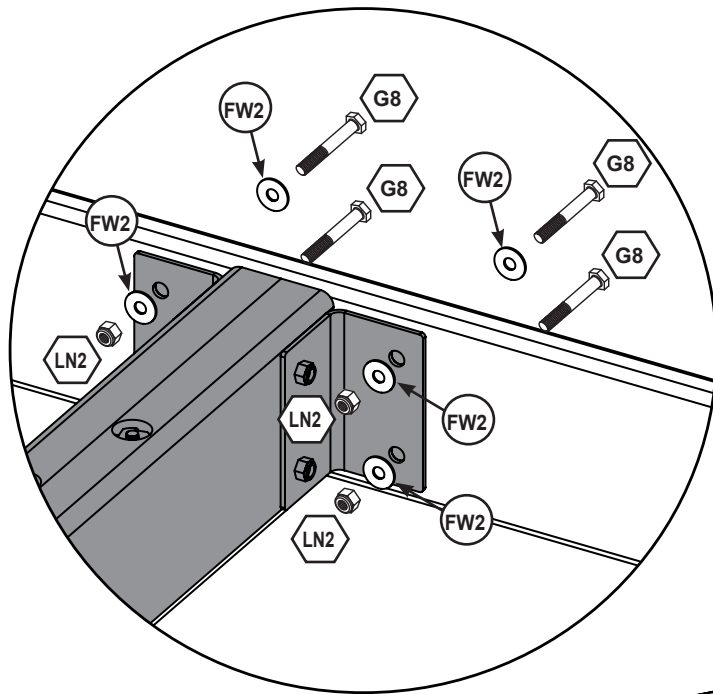
5 x  7.9mm x 95 mm (5/16 x 3-3/4") (LN2, 2 x FW2)

Other Parts

1 x 

1 x 

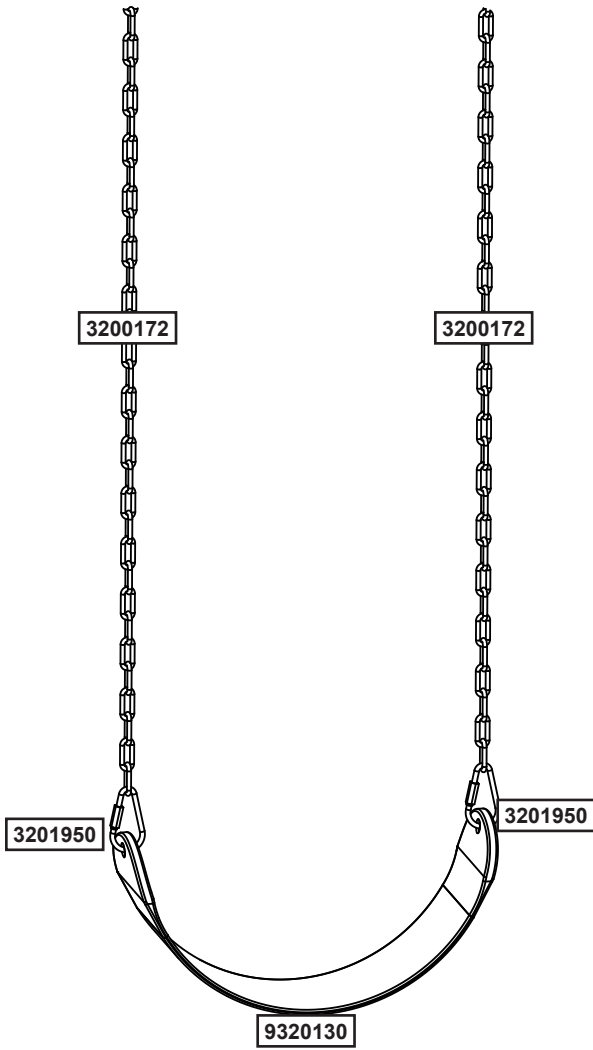
Step 90



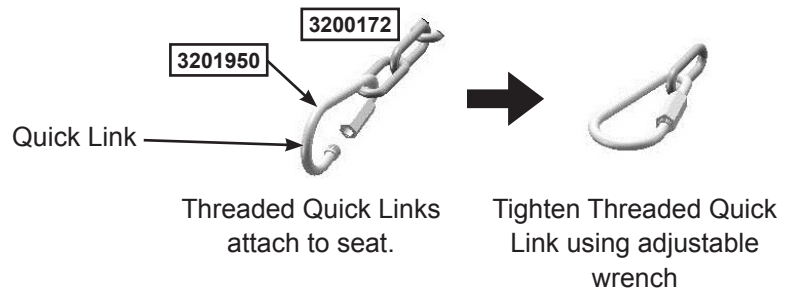
Hardware

4 x  7.9mm x 50.8 mm (5/16 x 2") (LN2, 2 x FW2)

Step 91 x 2



Caution: Threaded Quick Links must be installed with the gate completely down covering the threads and tighten as instructed.

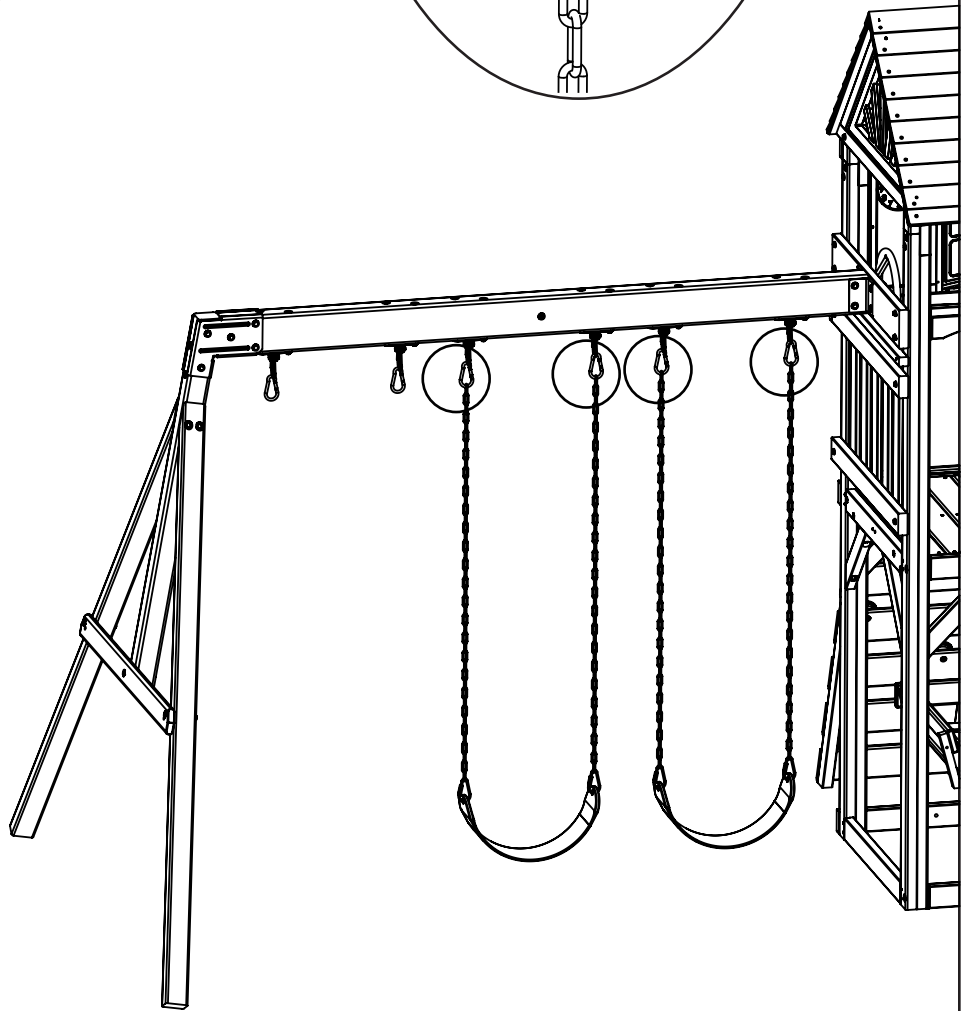
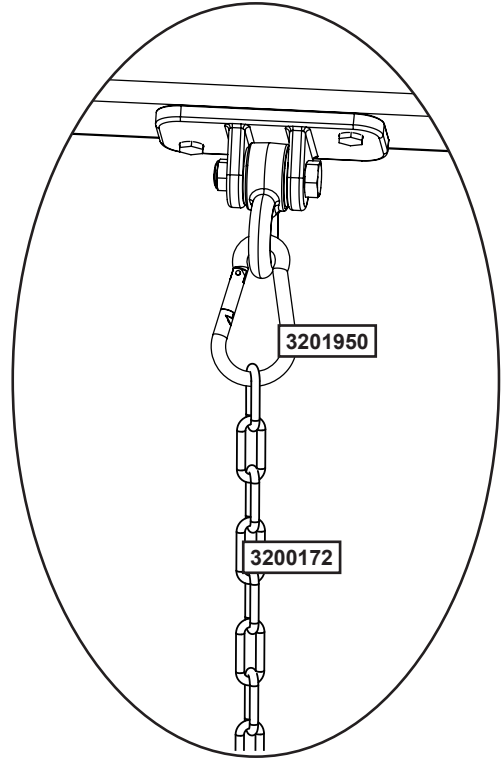
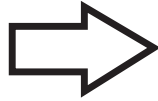
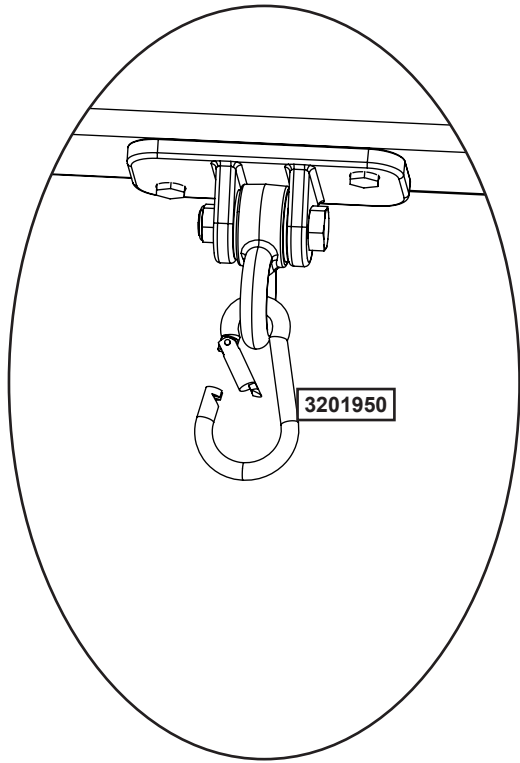


Other Parts

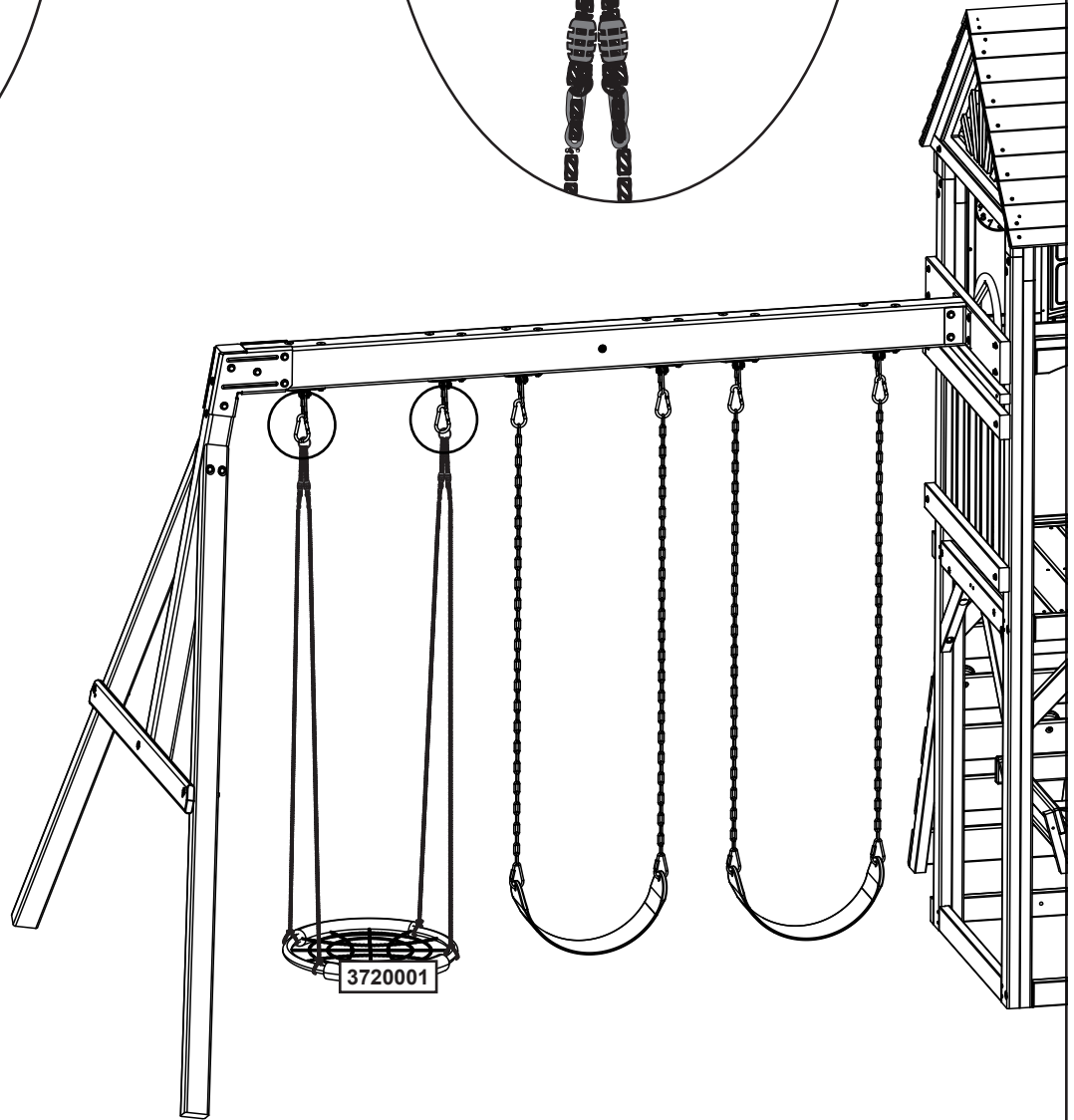
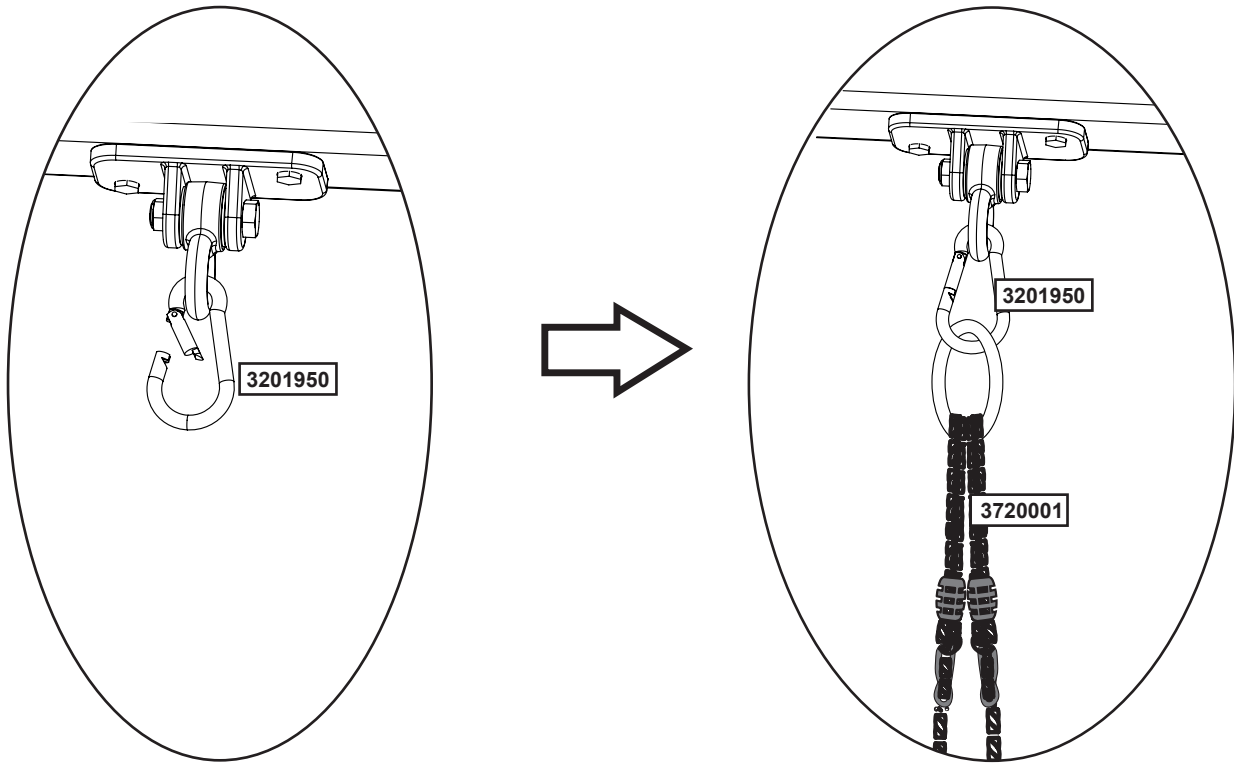
2 x 9320130

4 x 3200172

Step 92

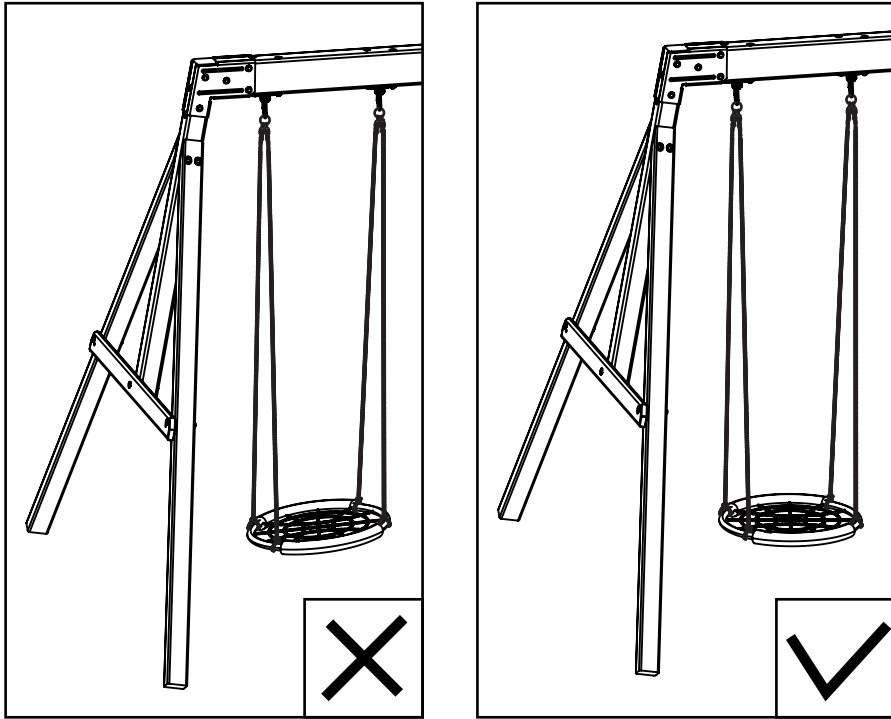
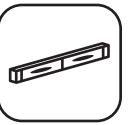


Step 93



Other Parts
1 x **3720001**

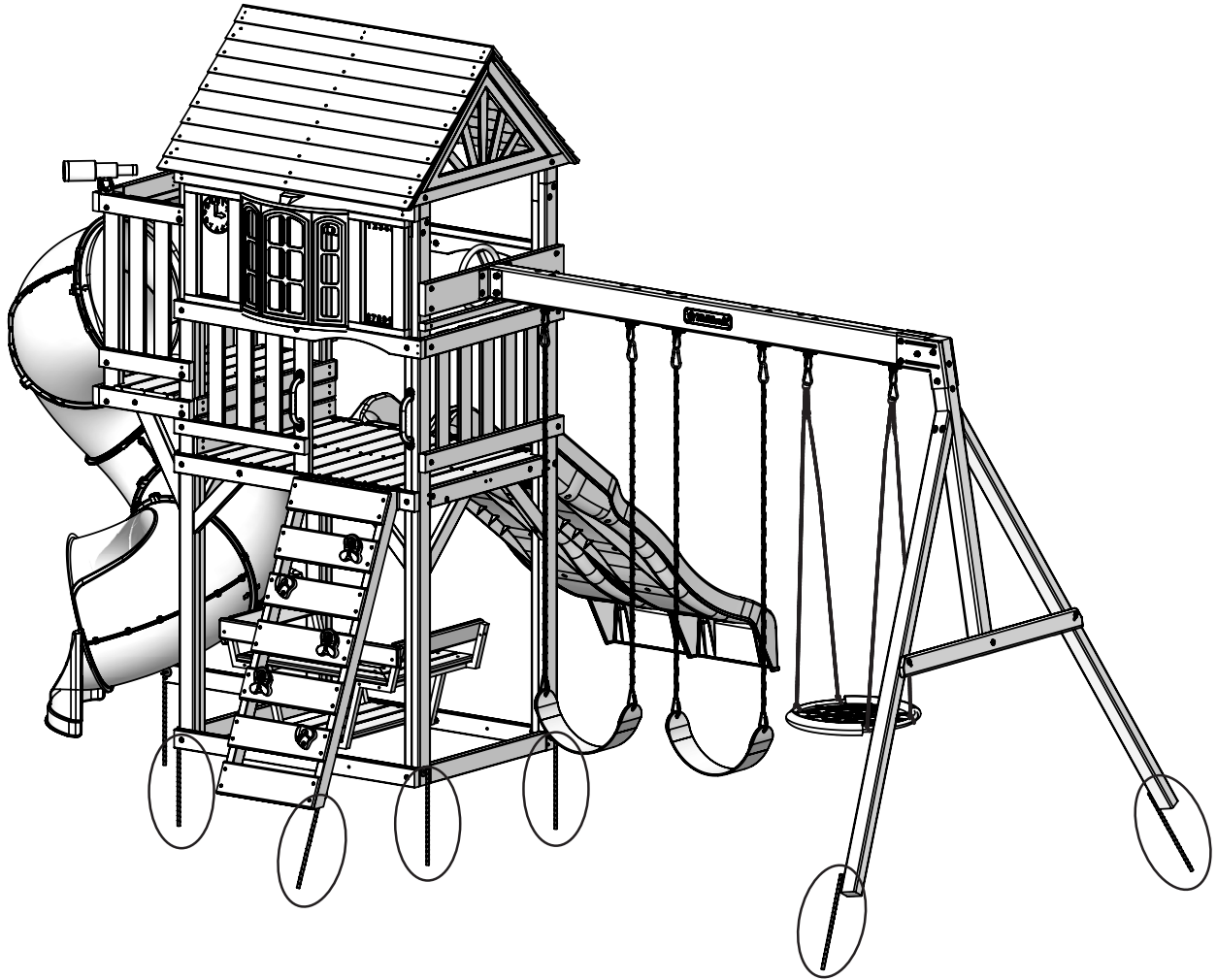
Step 94



Adjust swing ropes as needed to ensure that swing is level.

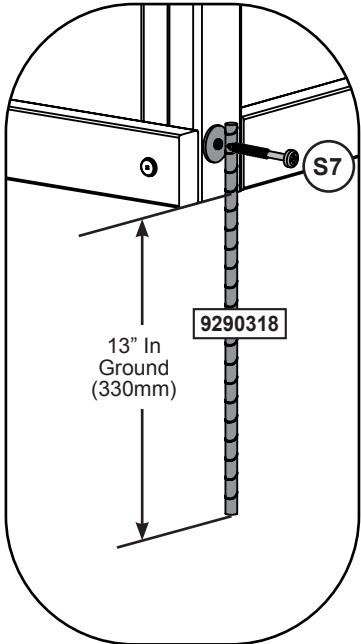


Step 95




Warning! To prevent tipping and avoid potential injury, stakes must be driven 13" (330mm) into ground. Digging or driving stakes can be dangerous if you do not check first for under-ground wiring, cables or gas lines.

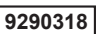
SEE FRONT COVER FOR SAFETY CLEARANCE



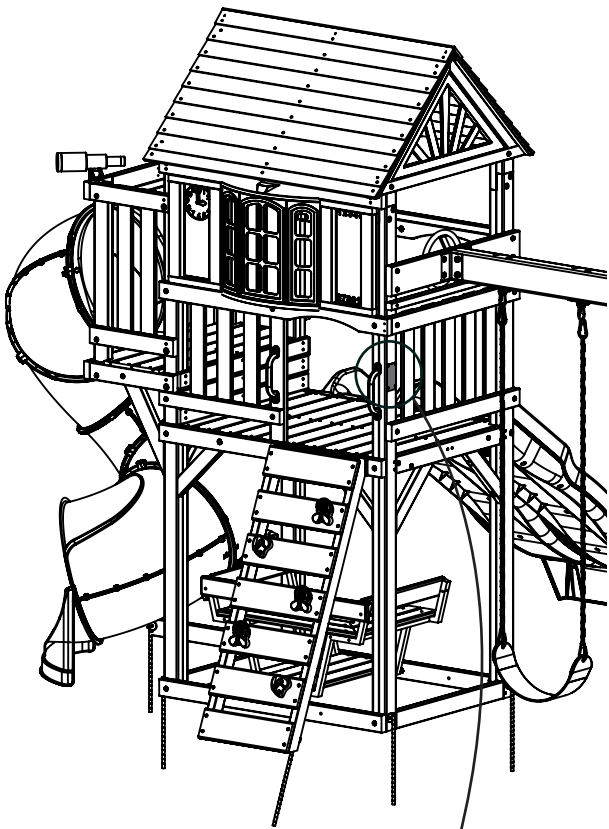
Hardware

6 x  #12 x 50.8 mm (#12 x 2")

Other Parts

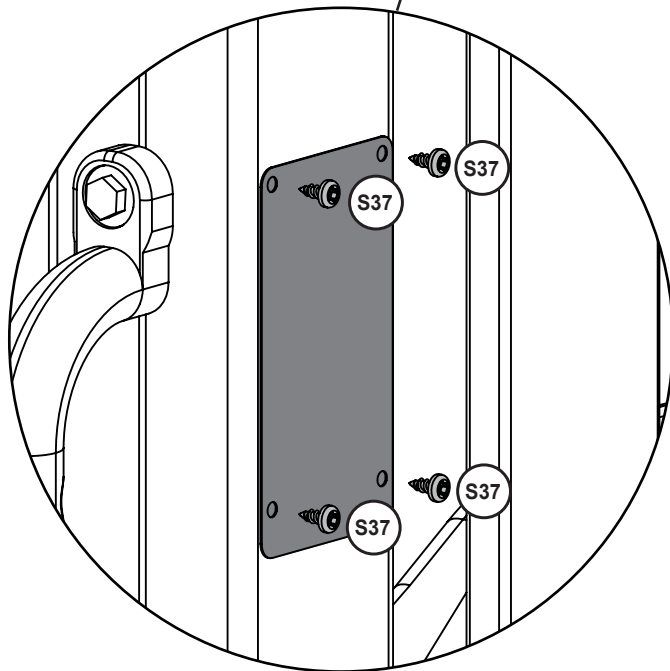
6 x 

Step 96



ATTACH THIS WARNING & I.D. PLAQUE TO THIS LOCATION ON YOUR PLAY EQUIPMENT!

This provides warnings concerning safety and important contact information. A Tracking Number is provided to allow you to get critical information or order replacement parts for this specific model.



⚠ WARNING
⚠ AVERTISSEMENT

CONTINUOUS ADULT SUPERVISION REQUIRED!

STRANGULATION HAZARDS
 Never allow children to play with ropes, clotheslines, pet leashes, cables, chains or cord-like items when using this playset or to attach these items to play-set.
 Never allow children to wear loose fitting clothing, ponchos, hoods, scarves, capes, necklaces, or items with draw-strings, cords or ties when using this play-set.
 Never allow children to wear bike or sport helmets when using this play-set.
 Failure to prohibit these items increases the risk of serious injury and death to children from entanglement and strangulation.

SERIOUS HEAD INJURY HAZARD
 Maintain shock absorbing material under and around play-set as recommended in the Installation & Operating Instructions. Installation over concrete, asphalt, dirt, grass, carpet and other hard surfaces creates a risk of serious injury or death from falls to the ground.

SURVEILLANCE CONSTANTE D'ADULTES EST REQUIS!

Risques D'étranglement
Ne jamais laisser les enfants jouer avec des cordes, cordes à linge, laisses pour animaux, des câbles, des chaînes ou ces type articles pendant de l'utilisation de cet portique de jeu ou à l'attaché de ces éléments à la portique de jeu.
Ne jamais laissez les enfants de porter des vêtements amples, des ponchos, des hottes, des foulards, capes, des colliers ou des articles avec cordes attirant ou les cordons pendant l'utilisation de cet portique de jeu.
Ne jamais laissez les enfants porter un casque de vélo ou de sport quand ils utilisent ce portique de jeu.
 Défaut d'interdire ces éléments augmente le risque de blessures graves et de décès des enfants de enchevêtrement et d'étranglement.

RISQUE DE BLESSURES GRAVES DU TÊTE
 Maintenir le matériau absorbant les chocs sous et autour de la portique de jeu comme recommandé dans les Instructions D'installation. Installation sur béton, de l'asphalte, sol, de l'herbe, tapis et autres surfaces dure crée un risque de blessure à la tête graves ou la mort causé par tomber à la sol.

THIS PRODUCT IS INTENDED FOR USE BY CHILDREN FROM AGES 3 TO 10; weight limit of 110 lbs. per child. Maximum number of users, Installation & Operating Instructions; other information is available at:
 POUR LES ENFANTS DE 3 À 10 ANS D'ÂGE; limite de 110 Livres par enfant. Nombre maximum d'utilisateurs, installation et d'utilisation; d'autres informations sont disponibles sur:

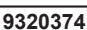
www.KidKraft.com
 Contact us at: KidKraft
 Dallas, TX 75244 USA
 1-800-933-0771

Tracking Number:
 Numéro de Suivi:

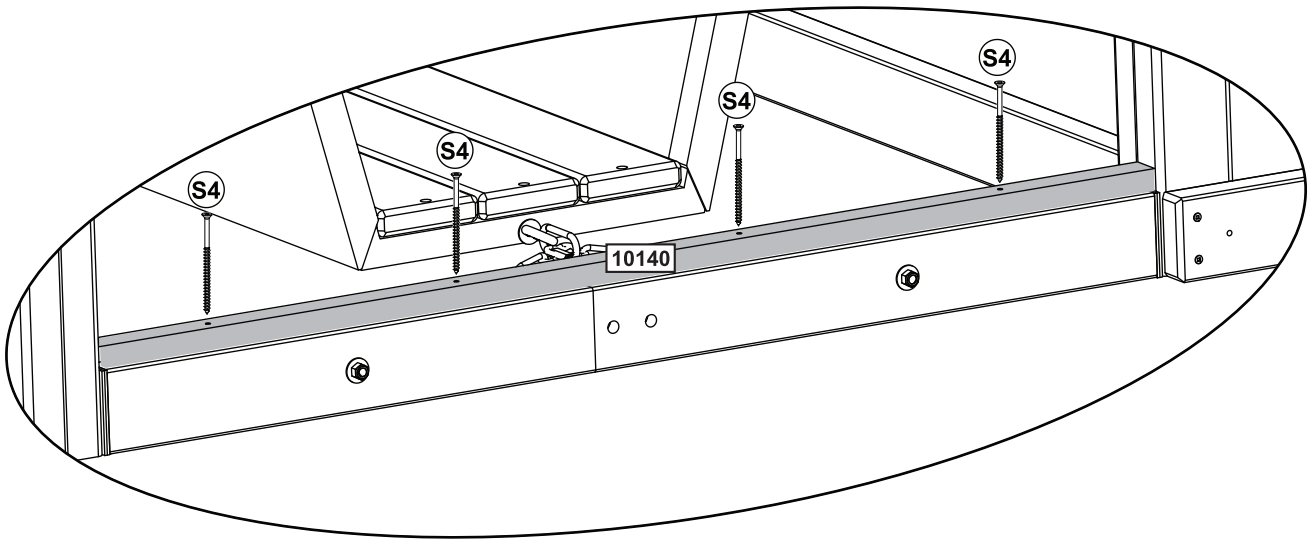
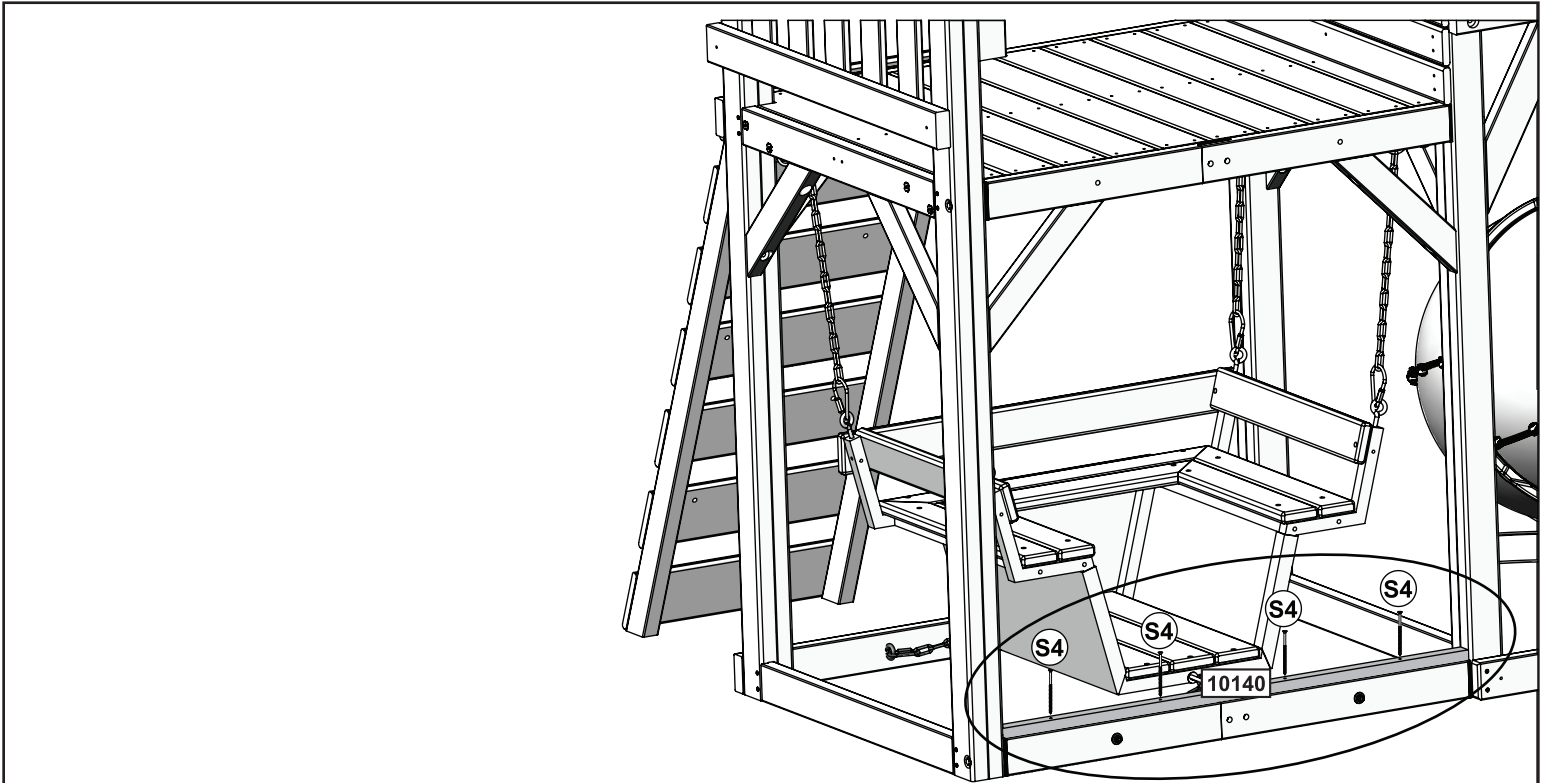
Hardware

4 x  #7 x 16 mm (#7 x 5/8")

Other Parts

1 x 

Step 97



Wood Parts

1 x **10140** 31.8 x 38.1 x 1065 mm (1-1/4" X 1-1/2" X 41-15/16")

Hardware

4 x **S4** #8 x 76.2mm (#8 x 3")

**KIDKRAFT
Consumer Registration Card**

First Name

Initial

Last Name

--	--	--	--	--

Street

Apt. No.

--	--

City

State/Province ZIP/Postal Code

--	--	--

Country

Telephone Number

--	--

E-Mail Address

--

Model Name

Model Number (Box Labels)

--	--

Serial Number (on ID Plaque)

--

Date Purchase

Purchased From

--	--

MM / DD / YY

How would you rate this product for quality?

- Excellent
 Very Good
 Average
 Below Average
 Poor

How would you rate this product for ease of assembly?

- Excellent
 Very Good
 Average
 Below Average
 Poor

How would you rate our instructions?

- Excellent
 Very Good
 Average
 Below Average
 Poor

How would you rate the quality of packaging?

- Excellent
 Very Good
 Average
 Below Average
 Poor

Would you recommend the purchase of our products to friends and family?

- Yes
 No

Comments:

MAIL TO:
 KidKraft
 4630 Olin Road
 Dallas, TX 75244
 United States
 Attention: Customer Service

Fill out your registration card online at
<https://prdregistration.kidkraft.com/>

KidKraft would like to say Thank You for
 your time and feedback.



CUT ALONG LINE