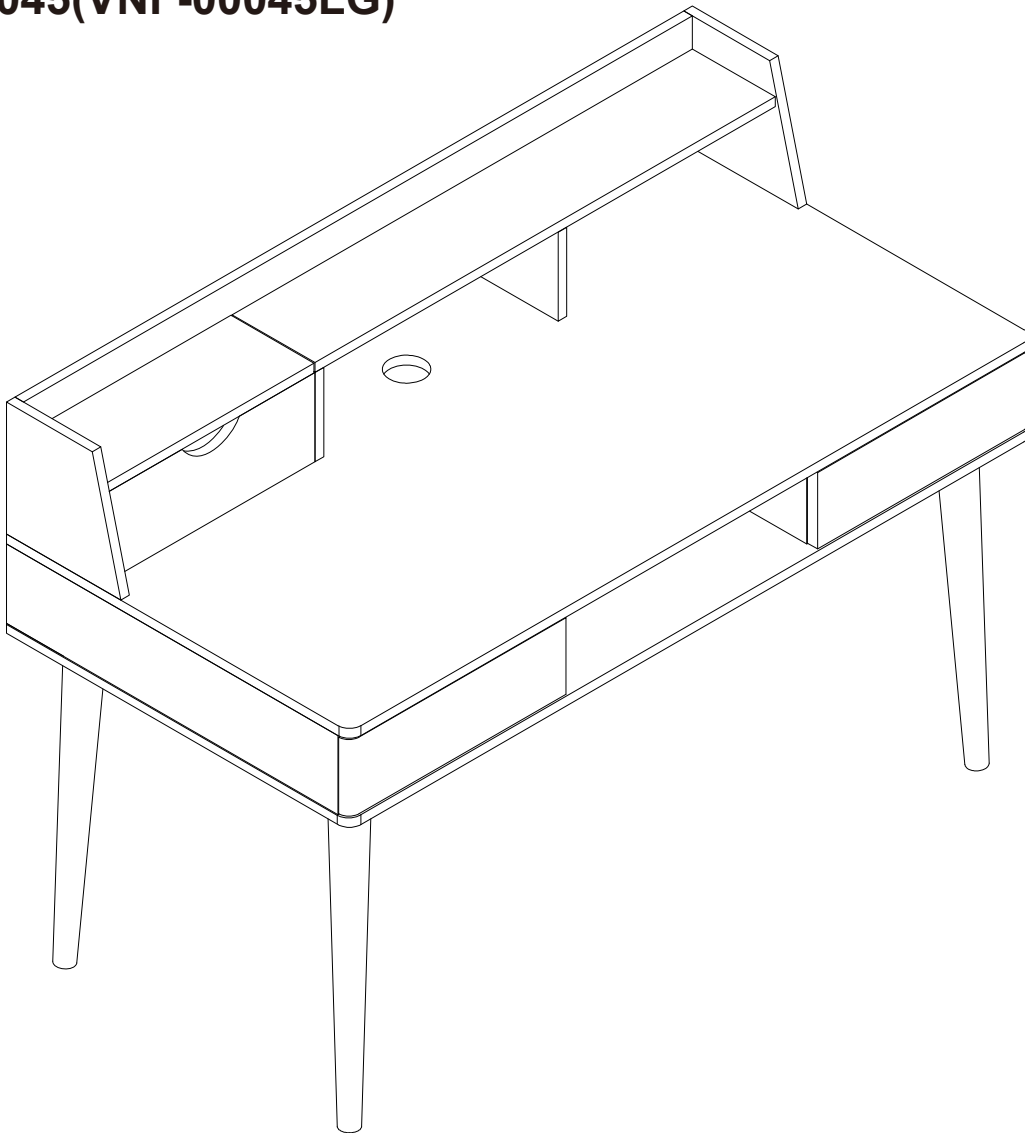
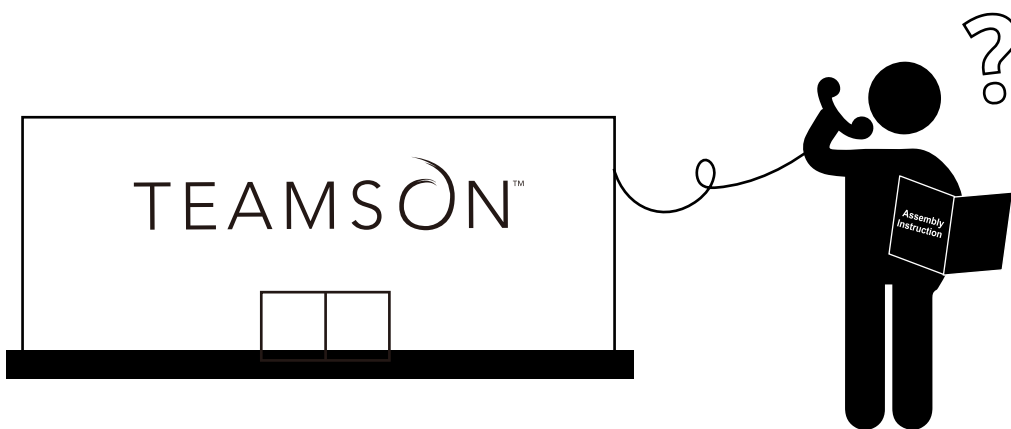
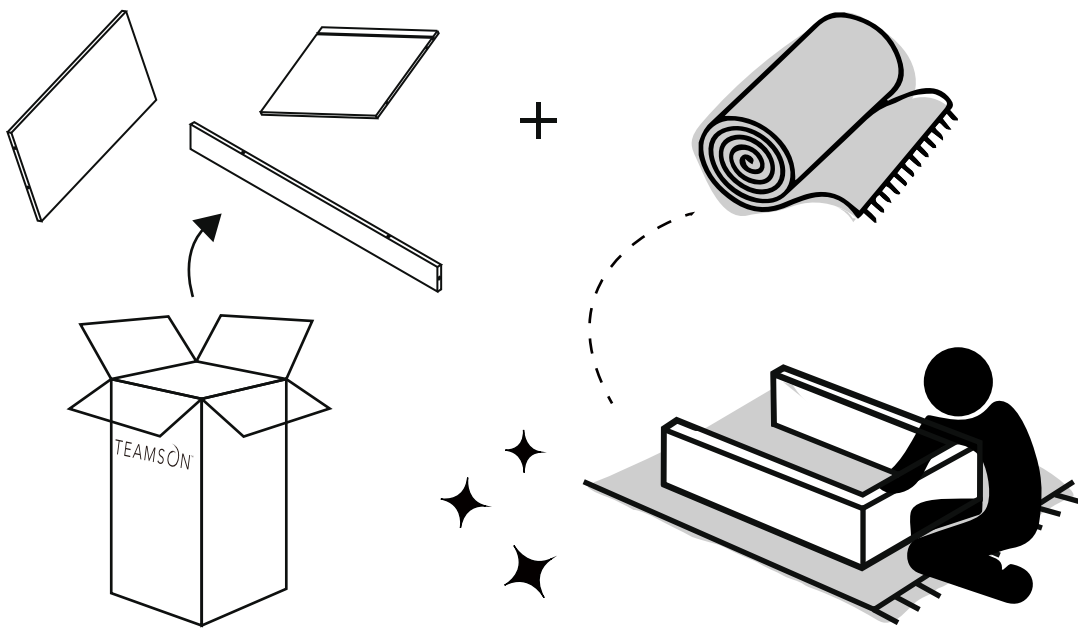
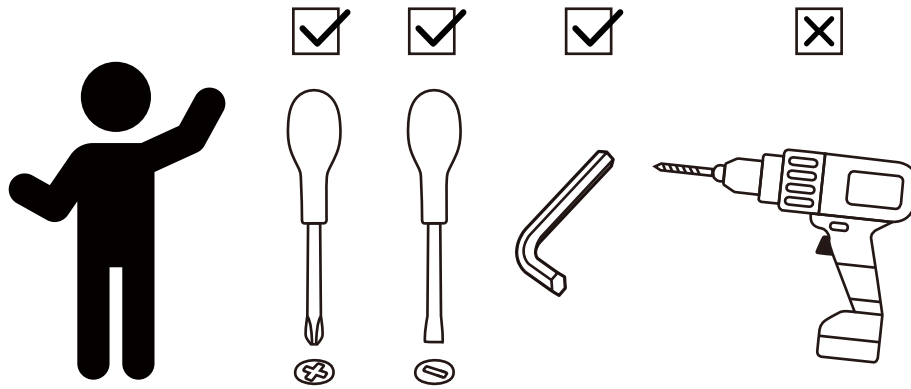


VERSANORA
Creativo Stylish Desk
- White/Natural
(- LightGary/Natural)

VNF-00045(VNF-00045LG)

TIME SAVER!
3D Interactive Instruction





** Got questions? Please have your product code (on the first page of this instruction, e.g. TD-12345A) and the order number ready, give us a call or email us through our customer care support! We are always ready to assist you!

TEAMSON HOME



Warranty sign up

www.teamsonhome.com

Serving you well gives us great joy!

USA +1(800)935-3959

Mon - Fri 10:00am ~ 2:00pm EST

✉ support@teamson.com

EU +44(0)1952-916-050

Mon - Thu 9:00am ~ 5:00pm GMT

Friday 9:00am ~ 4:00pm GMT

✉ support@teamson.co.uk

ASIA 深圳办公室:

+86(0755)8885-3558.分机号108

Mon - Sat 9:00am ~ 5:00pm GMT+8

✉ sales_ec@teamson.com

台北办公室:

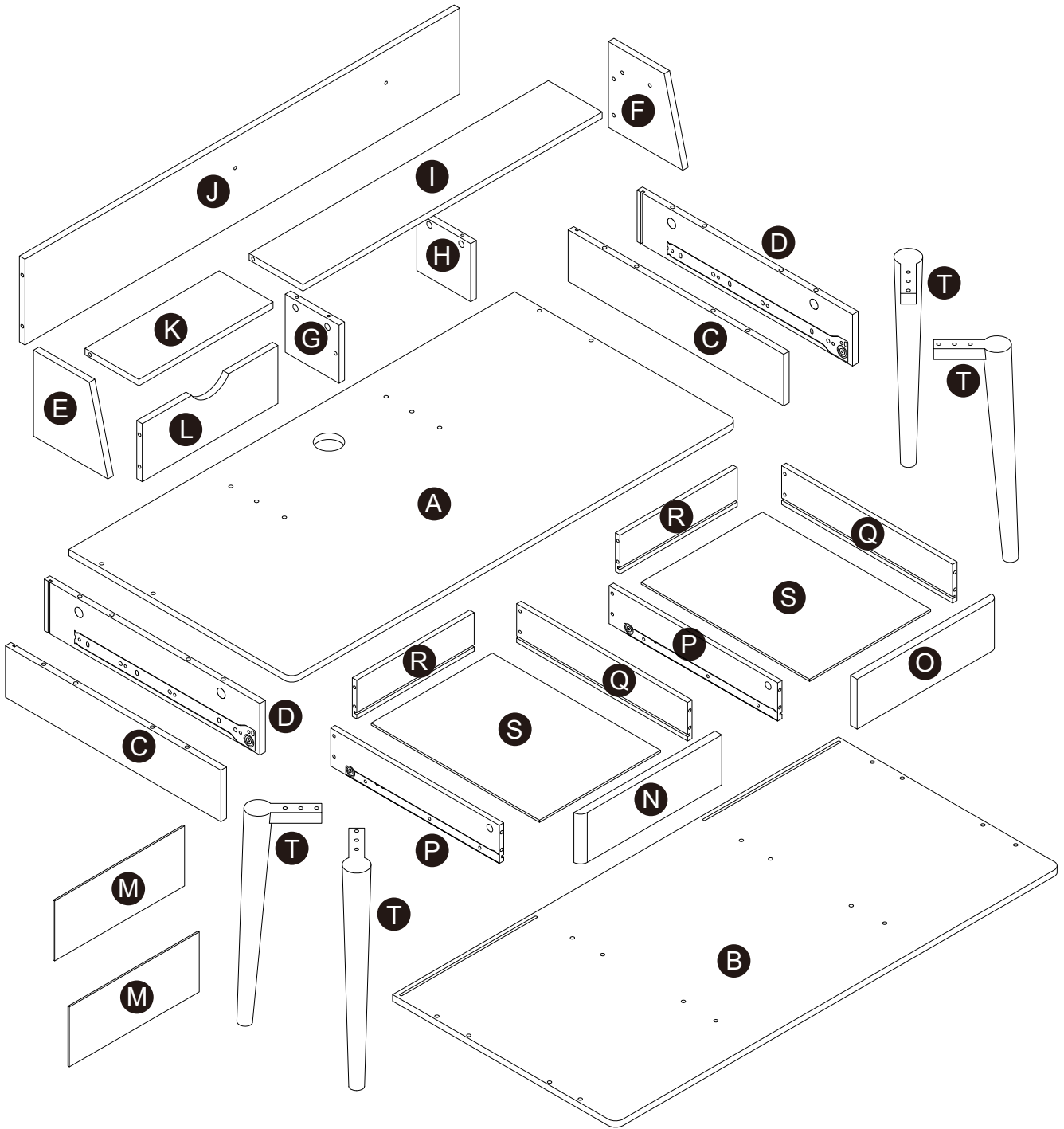
+886(2)2556-6268

Mon - Fri 9:00am ~ 5:00pm GMT+8

✉ sales_ec@teamson.com

Thank you for choosing Teamson Home

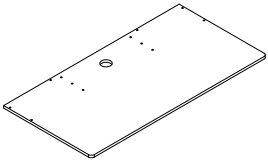
Exploded Drawing



← **Questions?**
Scan Here

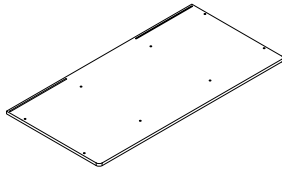
Product Parts

A



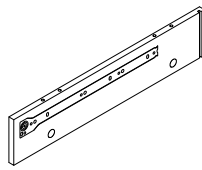
1 PC

B



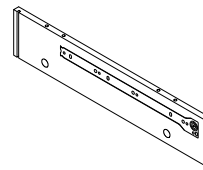
1 PC

C



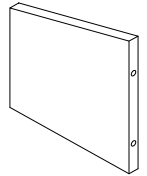
2 PCS

D



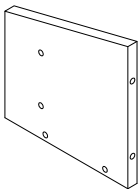
2 PCS

E



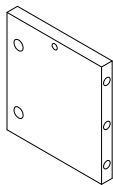
1 PC

F



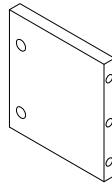
1 PC

G



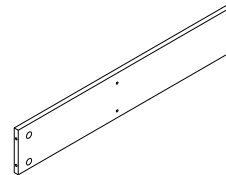
1 PC

H



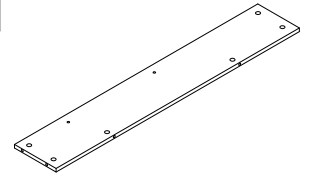
1 PC

I



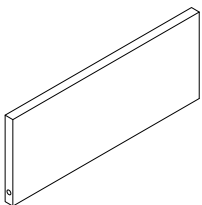
1 PC

J



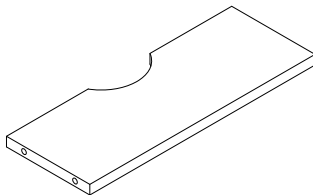
1 PC

K



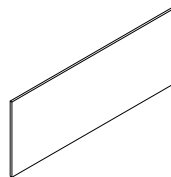
1 PC

L



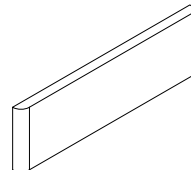
1 PC

M



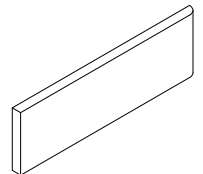
2 PCS

N



1 PC

O



1 PC

⚠ Care Instructions

Dust surface with a dry soft cloth.

Do not use window cleaners or cleaning abrasives as they will scratch the surface and could damage the protective coating

⚠ WARNING

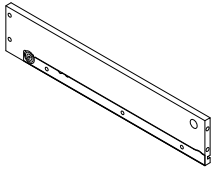
Small parts and sharp edges may be present prior to assembly.



Questions?
Scan Here

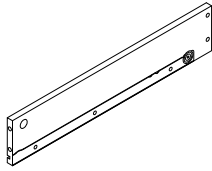
Product Parts

P



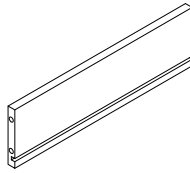
2 PCS

Q



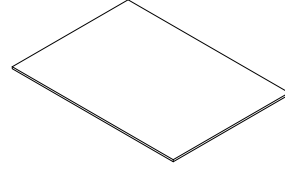
2 PCS

R



2 PCS

S



2 PCS

T



4 PCS



Questions?
Scan Here

⚠ Care Instructions

Dust surface with a dry soft cloth.

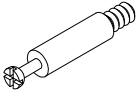
Do not use window cleaners or cleaning abrasives as they will scratch the surface and could damage the protective coating

⚠ WARNING

Small parts and sharp edges may be present prior to assembly.

Hardware

1



35mm

27 pcs

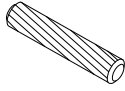
2



φ 15*10

27 pcs

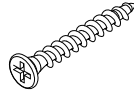
3



φ 6*30

24 pcs

4



φ 4*35

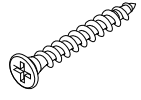
16 pcs

5



2 pcs

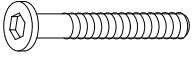
6



φ 4*30

8 pcs

7



φ 6*60

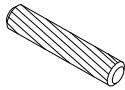
8 pcs

8



8 pcs

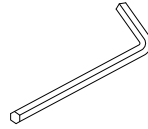
9



φ 8*40

4 pcs

10



1 pc

11



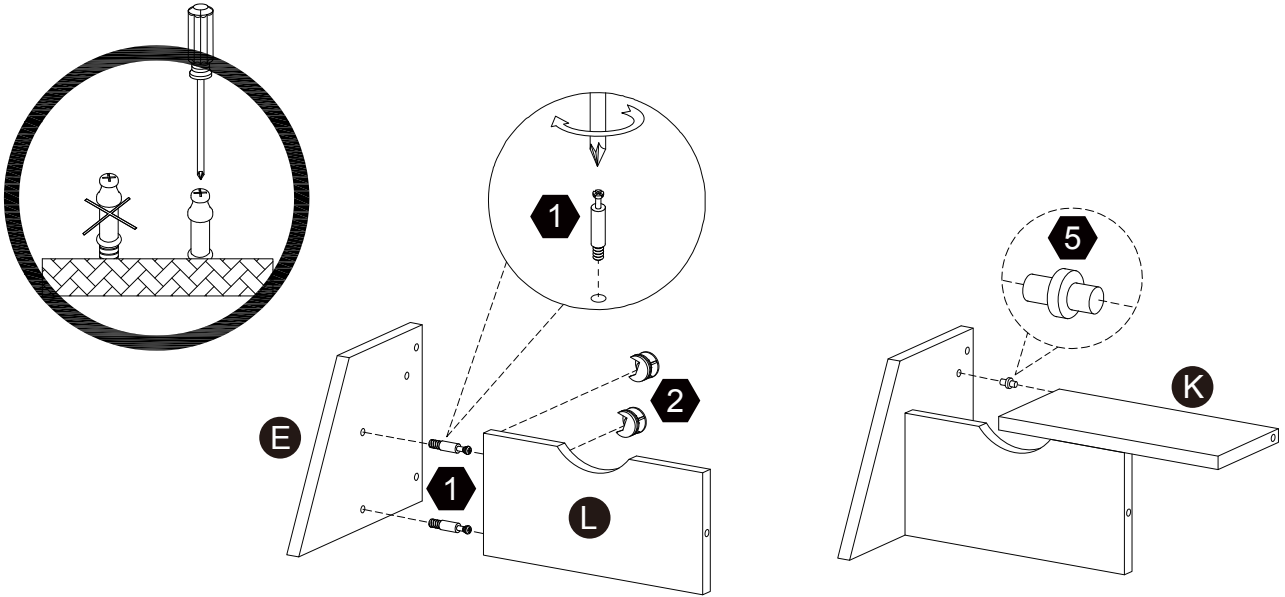
4 pcs



Questions?
Scan Here

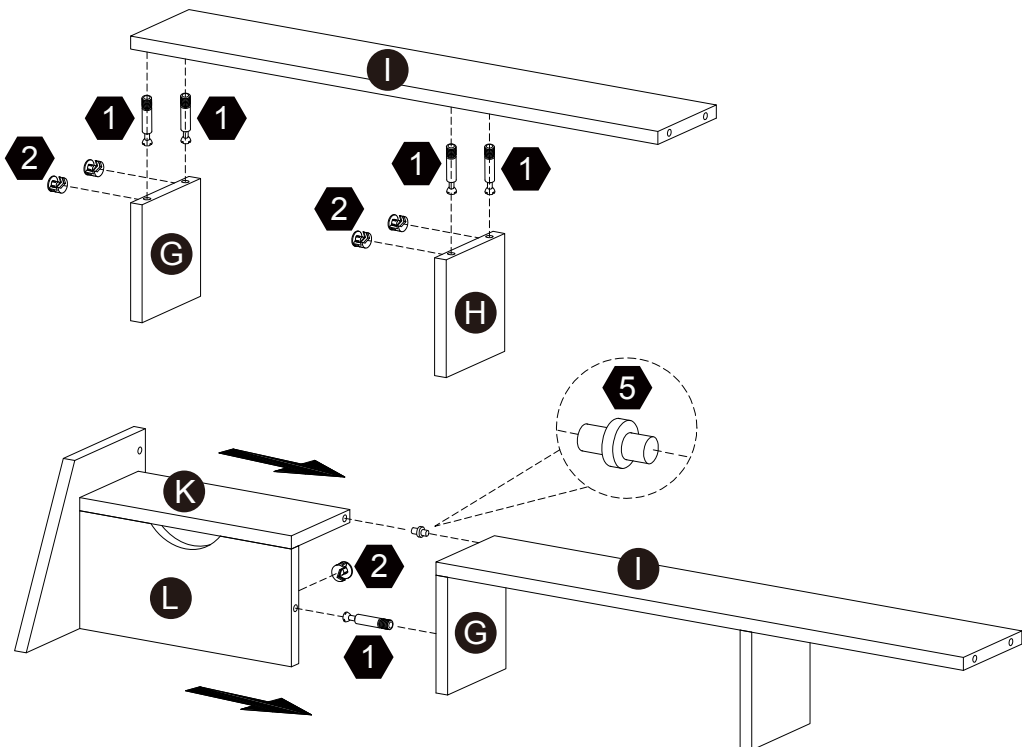
Step 1

- 1**  35mm 2 pcs **2**  $\phi 15 \times 10$ 2 pcs **5**  1 pc



Step 2

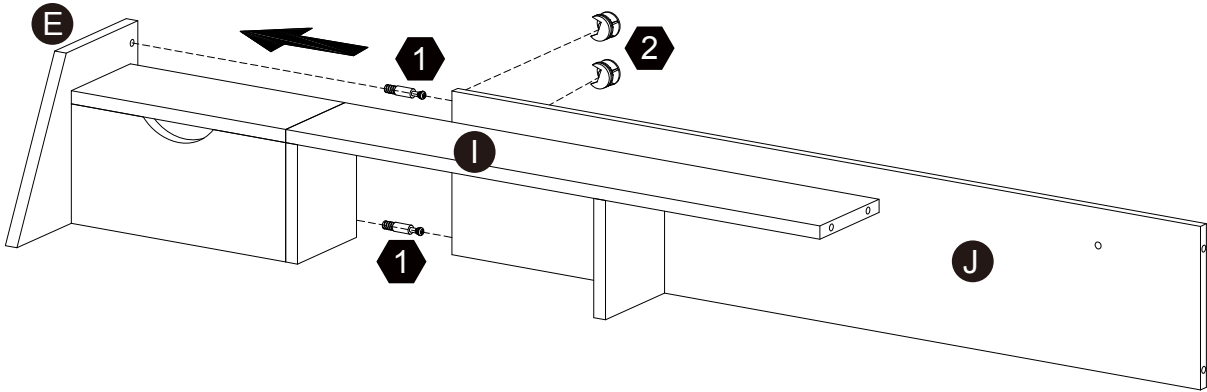
- 1**  35mm 5 pcs **2**  $\phi 15 \times 10$ 5 pcs **5**  1 pc



Questions?
Scan Here

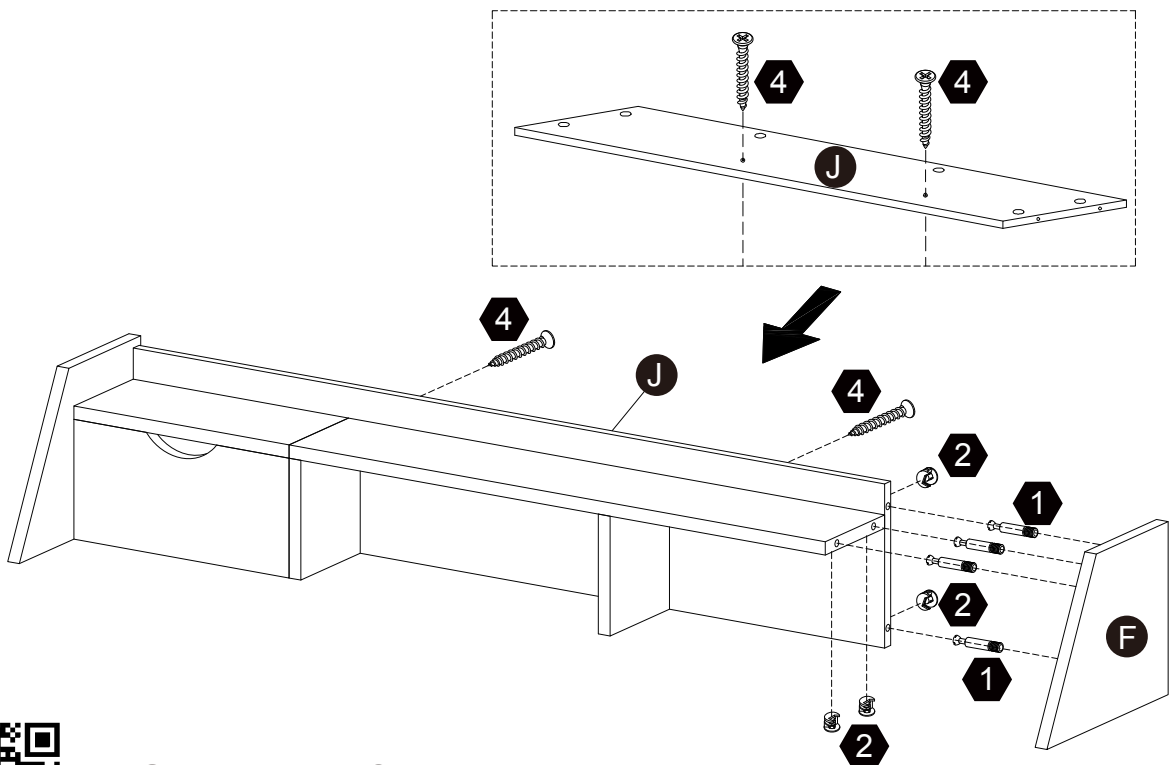
Step 3

- 1  35mm 2 pcs
- 2  ϕ 15*10 2 pcs



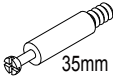
Step 4

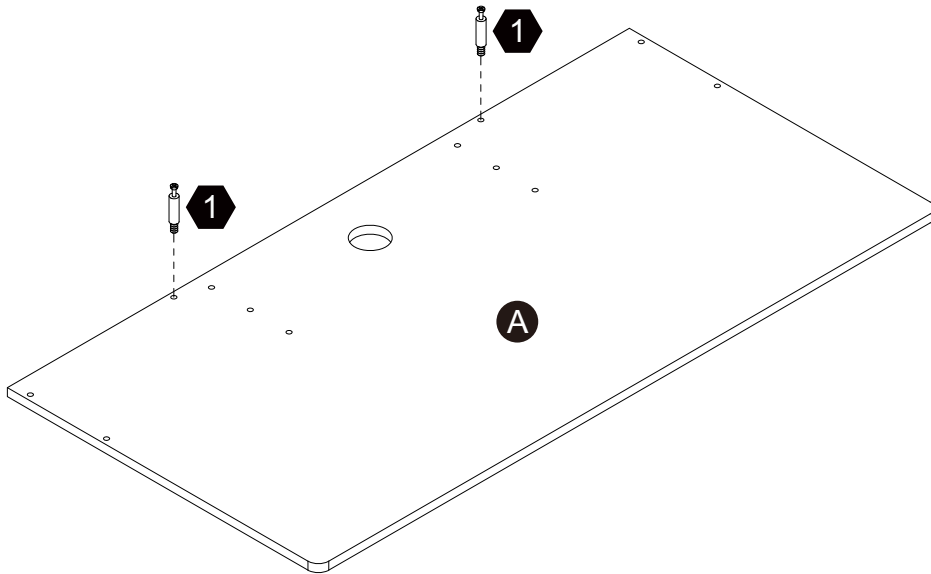
- 1  35mm 4 pcs
- 2  ϕ 15*10 4 pcs
- 4  ϕ 4*35 2 pcs



Questions?
Scan Here

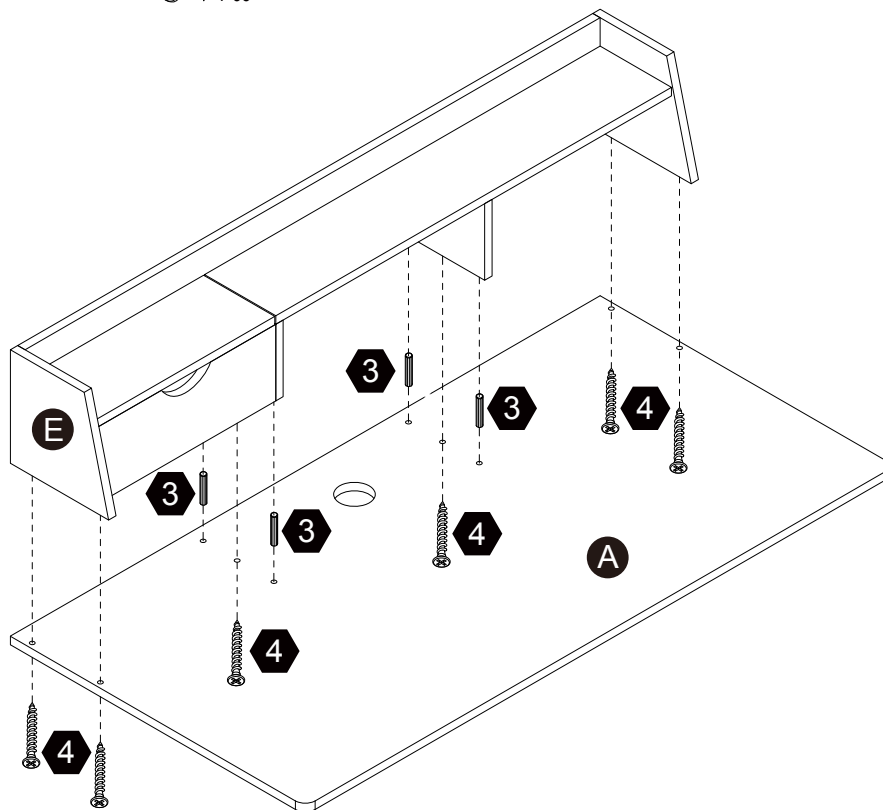
Step 5

1  35mm **2 pcs**



Step 6

3  Ø6x30 **4 pcs** **4**  Ø4x35 **6 pcs**



Questions?
Scan Here

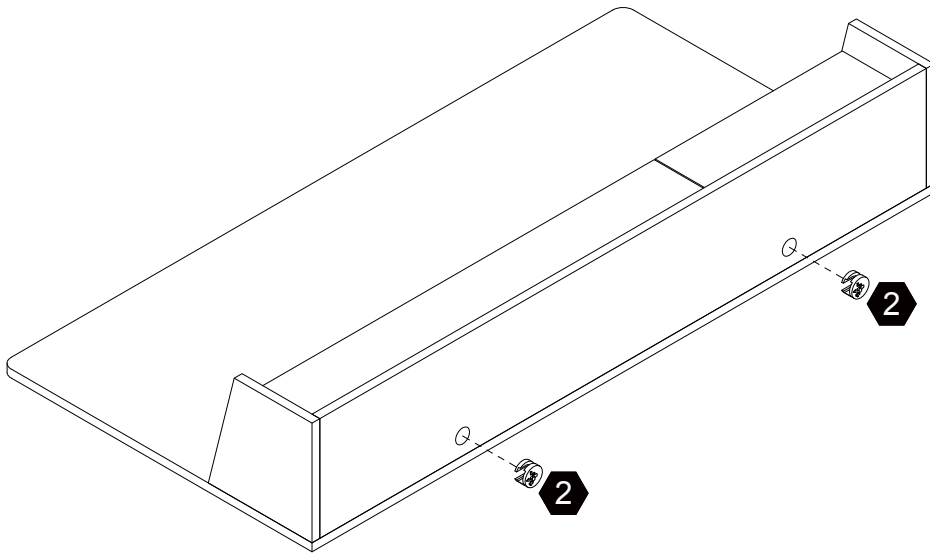
Step 7

2



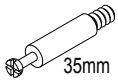
∅15*10

2 pcs



Step 8

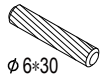
1



35mm

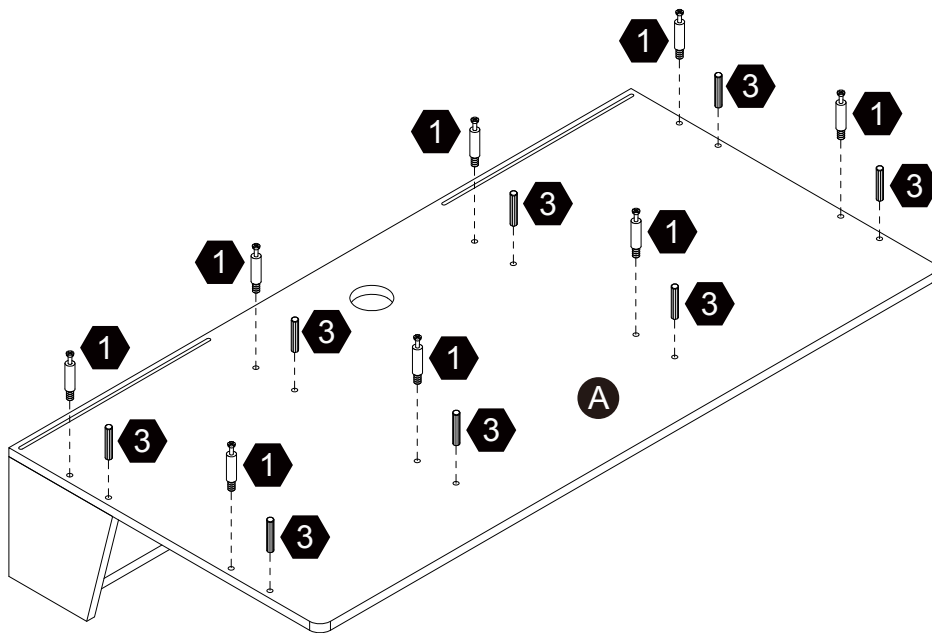
8 pcs

3



∅6*30

8 pcs



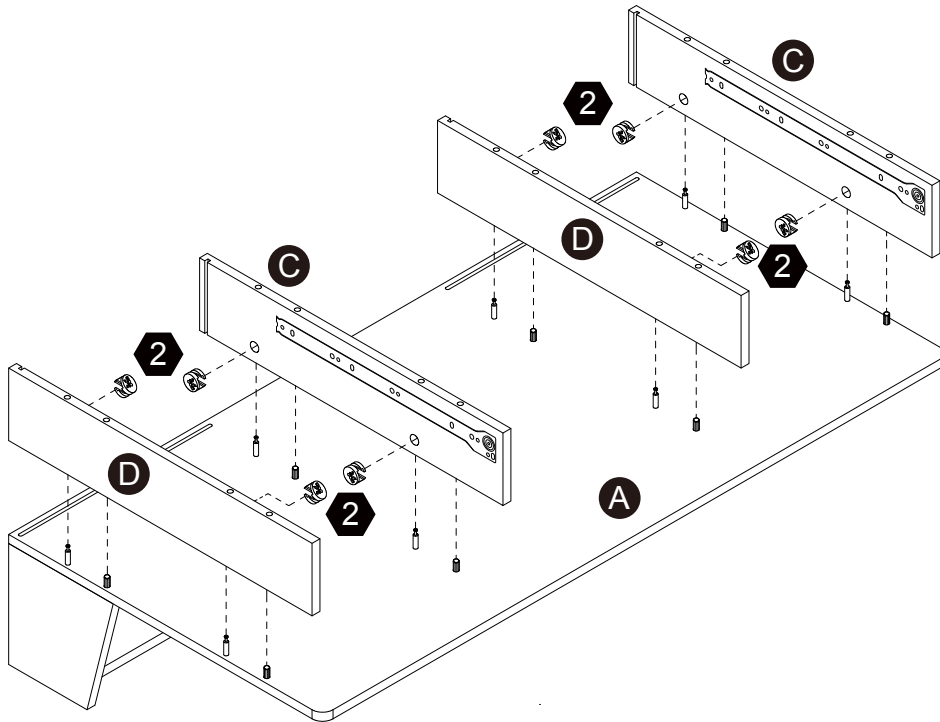
Questions?
Scan Here

Step 9

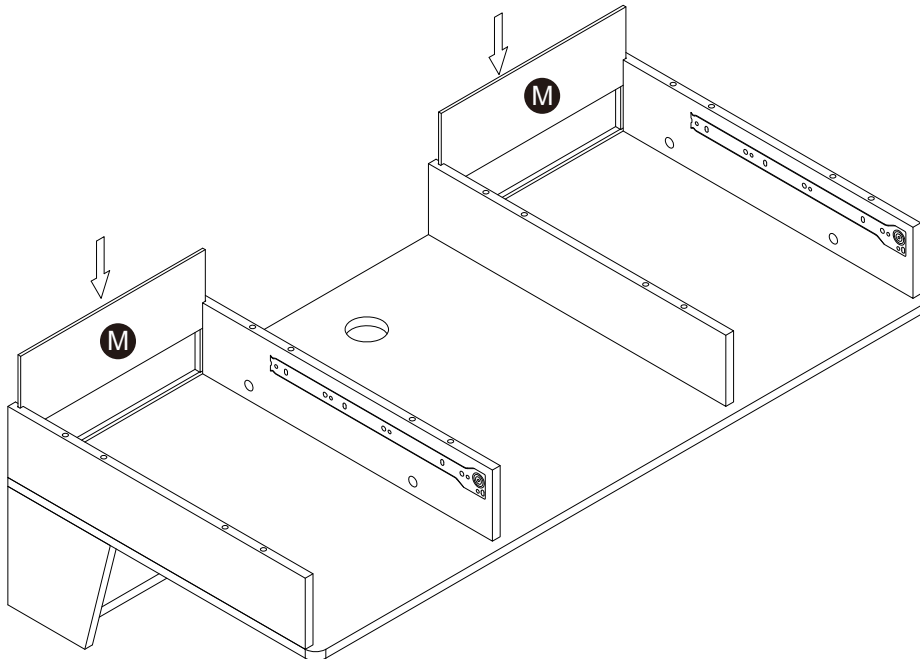
2



8 pcs

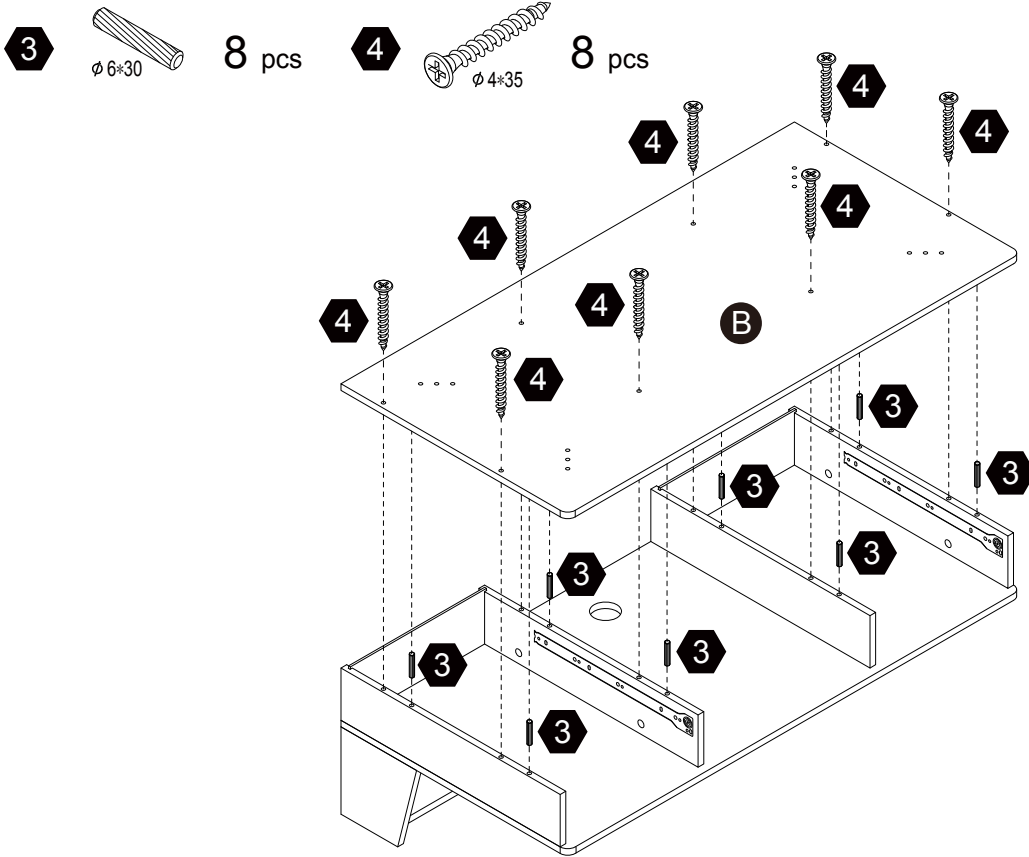


Step 10

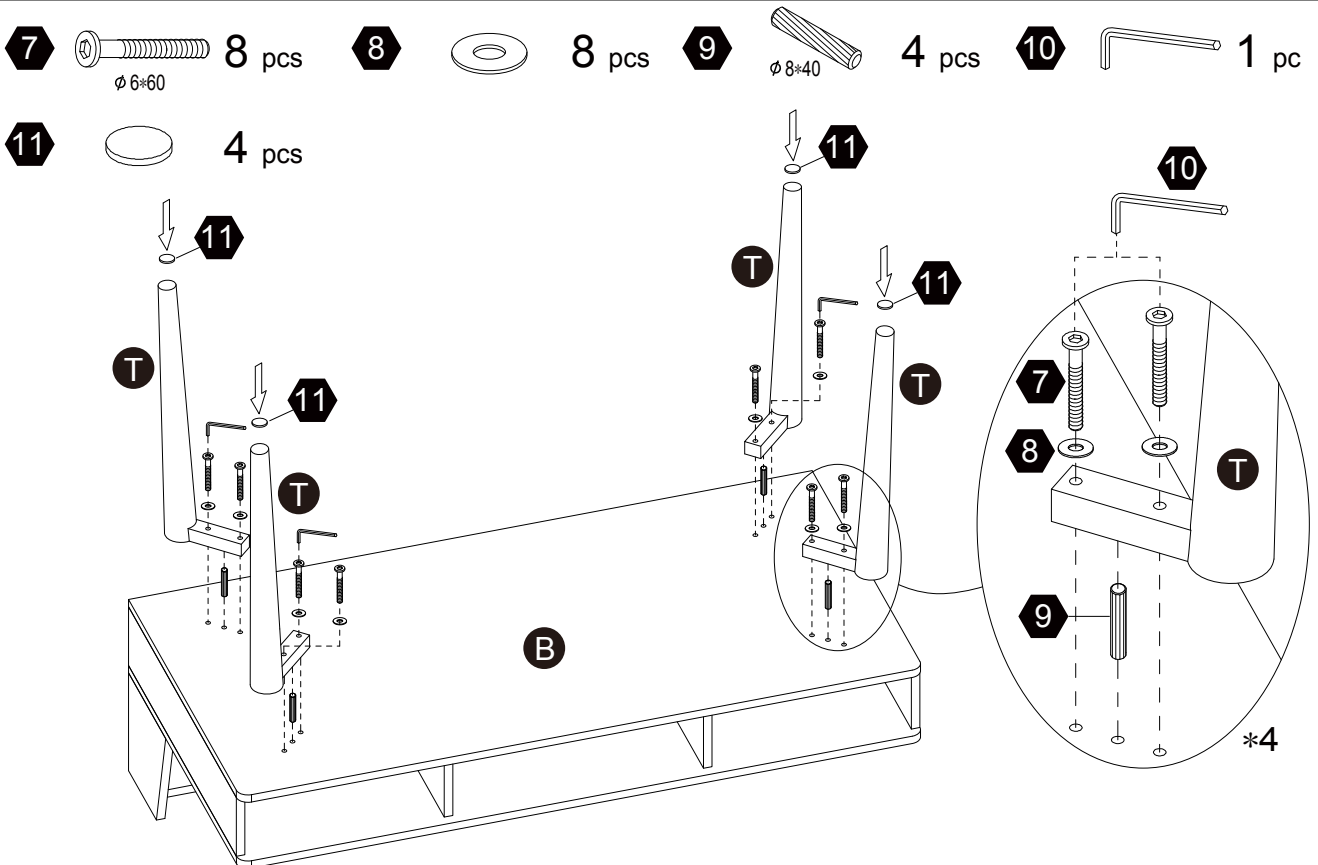


Questions?
Scan Here

Step 11




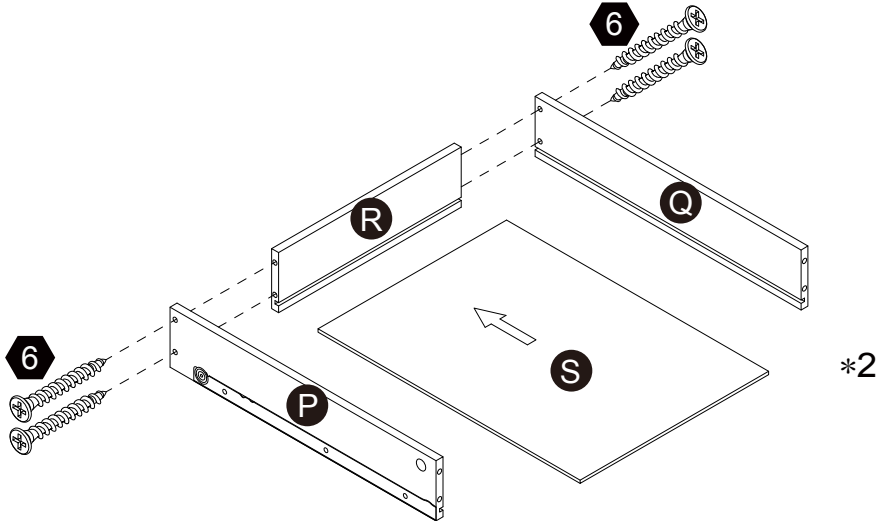
Step 12



Questions?
 Scan Here

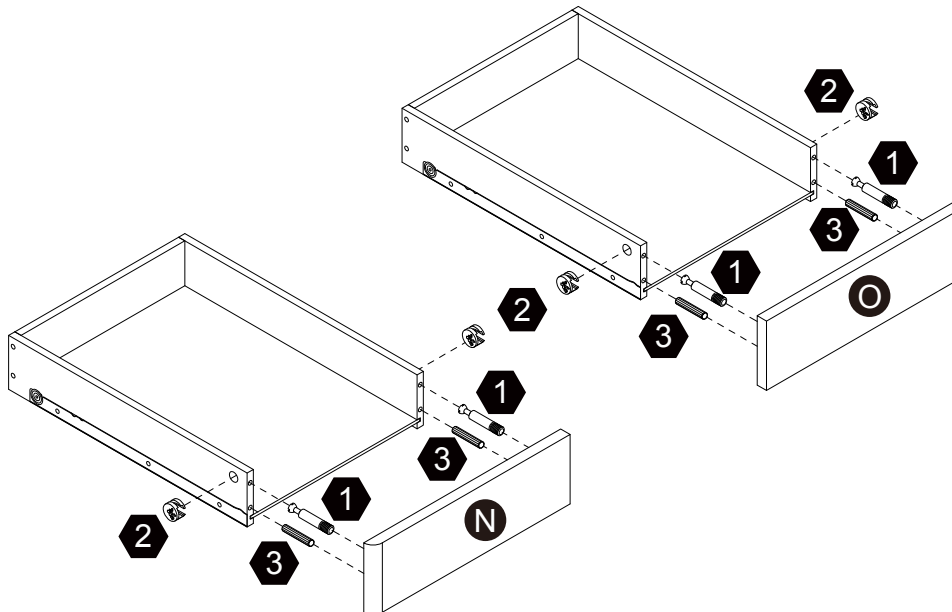
Step 13

6  $\phi 4 \times 30$ 8 pcs



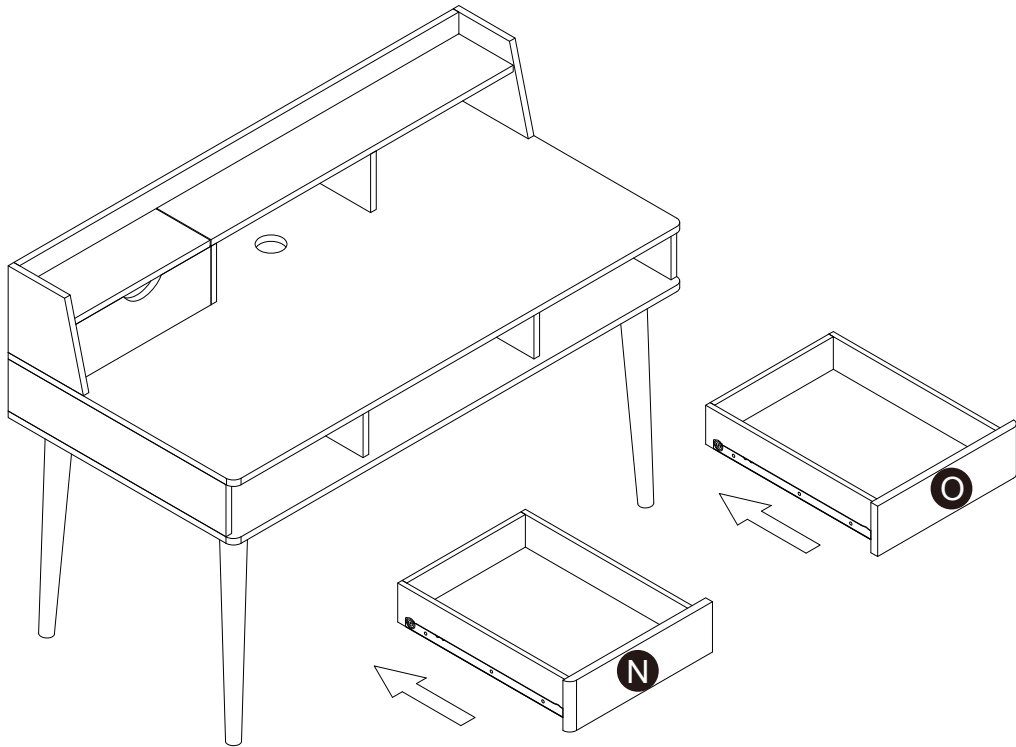
Step 14

1  35mm 4 pcs **2**  $\phi 15 \times 10$ 4 pcs **3**  $\phi 6 \times 30$ 4 pcs

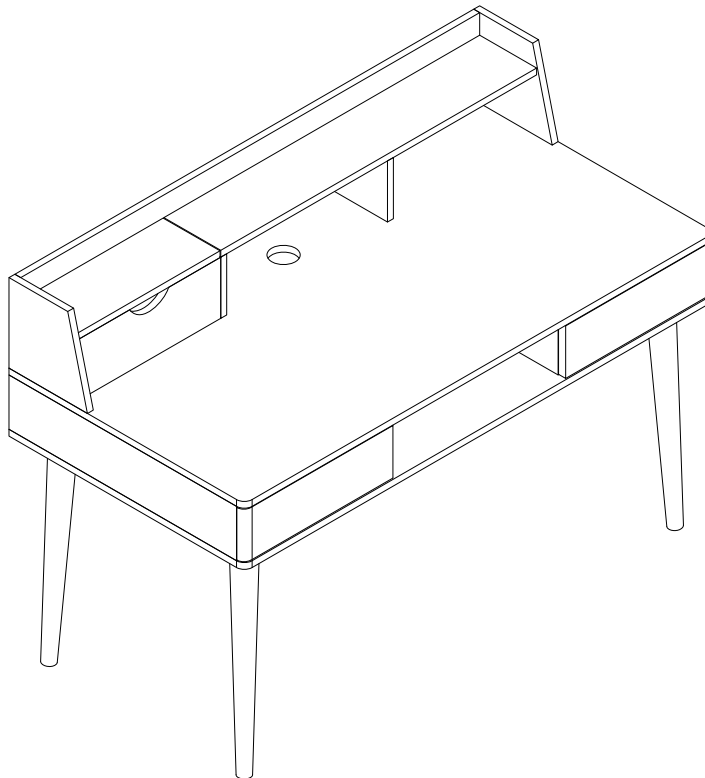


 **Questions?**
Scan Here

Step 15



Step 16



← **Questions?**
Scan Here