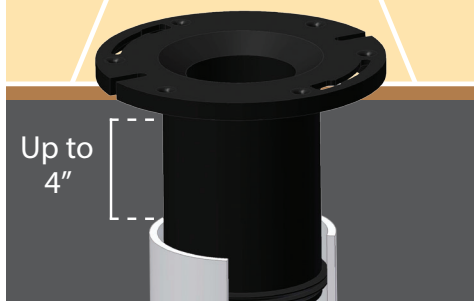


JONES STEPHENS TWO FINGER FLANGES

Seals in pipes with up to 4" of clearance below finished floor



Long shank seals below break or crack in pipe

Two Finger Flange

- Positive seal
- Redesigned to fit oblong horns
- Easy to push to install or adjust
- Flush fit
- Choice of closet bolt slots or slide positioning
- Double lip seal gasket
- May be used on PVC, ABS, or Cast Iron pipe and on old lead pipe that is in good condition
- Pushes easily into 3" or 4" cast iron or Schedule 40 DWV PVC pipe
- ASTM C-564 rubber gasket
- No tear out or caulking required of existing pipe
- Patent #: 5,937,450



PLASTIC



CAST IRON*



* 3" x 2", 4" x 2" and 4" x 3": for areas with the bend close to the flange

* 3" x 4", 4" x 4" and 4" x 6": for areas without the bend close to the flange or broken pipe

Part No.	Size	Material	CTN QTY
C4733P	3" x 3"	White Plastic	6
C4733A	3" x 3"	Black Plastic	6
C4743P	4" x 3"	White Plastic	6
C4743A	4" x 3"	Black Plastic	6
C47320	3" x 2"	Cast Iron	8
C47340	3" x 4"	Cast Iron	4
C47420	4" x 2"	Cast Iron	8
C47430	4" x 3"	Cast Iron	4
C47440	4" x 4"	Cast Iron	4
C47460	4" x 6"	Cast Iron	2

Contact your local Jones Stephens sales representative to order today!

