

RECESSED TOILET PAPER HOLDER

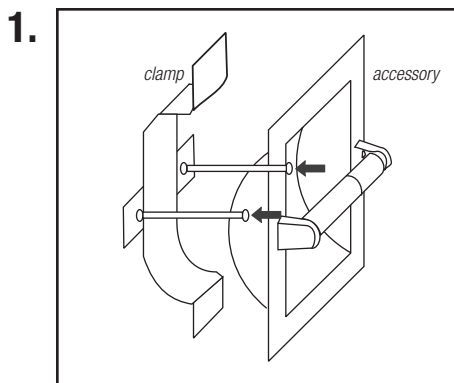
INSTALLATION INSTRUCTIONS



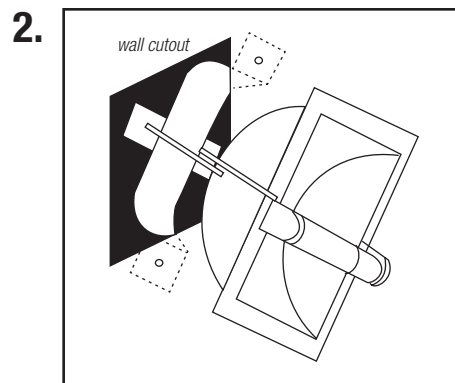
If this accessory is to be mounted in an existing hole first check the dimensions of the hole. This accessory requires a minimum cut-out of 5¹/₈" x 5¹/₈" and a maximum of 5¹/₂" x 5¹/₂". If it is necessary to cut a new hole, please use the template provided on the back of the product package or on the back of this instruction sheet to ensure the hole is the right size.

After removing the accessory from the package, cut the template along the outer black edge. Then place the template against the wall where you wish to cut a new hole. Scribe a line around the template. Then cut out the wall board. (IMPORTANT: When selecting a location, be sure to stay between the wall studs. DO NOT cut a stud.)

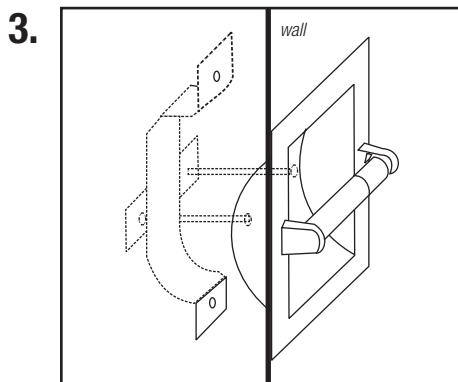
INSTALLATION



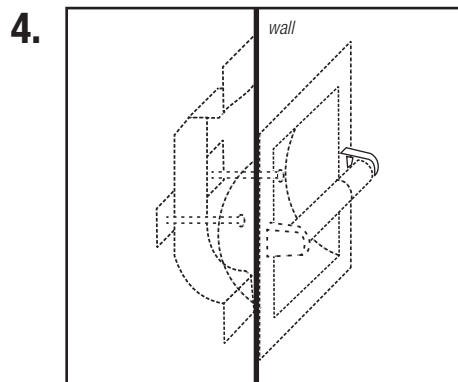
Attach the clamp to the accessory by inserting the screws through the accessory into the bracket. Turn screws three full turns.



Angle the clamp through the hole by first tilting it to one side, and then the other. Be careful not to damage the wall board.



Position the accessory squarely with the flange (outer edge) pressed firmly against the wall.



Tighten the screws until the clamp is firmly secured against the inside of the wall.

Mounting Bracket Template
Plantilla del Soporte de Montaje

