



# Model(s) Z871B4-XL

8" Brass Deck Faucet with a 5-3/8" Centerline Rigid or Swing Gooseneck Spout and 4" Wrist Blade Handles

TAG \_\_\_\_\_

**Architectural/Engineering Specification:**

Polished chrome-plated 8" [203mm] brass deck faucet with a 5-3/8" [137mm] centerline rigid or swing gooseneck spout and quarter-turn ceramic disc cartridges. Unit is furnished with a 2.2 GPM [8.3 L] pressure compensating aerator (complying with ANSI A112.18.1 Standard for flow), 4" [102mm] vandal-resistant color-coded metal wrist blade handles, mounting hardware and 1/2" NPSM coupling nuts for standard lavatory risers.

**PRODUCT FEATURES:**

- Heavy-duty Quarter Turn Ceramic Disc Cartridge
- Chrome-plated Cast Brass Body With Integral Shank
- Vandal-resistant Color-Coded Metal Handles

**SUFFIX OPTIONS:**

|     |                |
|-----|----------------|
| -HS | Hose and Spray |
|-----|----------------|

**AERATOR OPTIONS:**

| Suffix | Flowrate<br>GPM [L] | Vandal-Resistant | Pressure<br>Compensating | Outlet Type |
|--------|---------------------|------------------|--------------------------|-------------|
| -16F   | 1.0 GPM [3.8L]      | x                | x                        | Spray       |
| -17F   | 1.5 GPM [5.7L]      | x                | x                        | Aerator     |
| -18F   | 1.5 GPM [5.7L]      | x                | x                        | Laminar     |
| -22F   | 1.0 GPM [3.8L]      | x                |                          | Laminar     |
| -26F   | 0.5 GPM [1.9L]      |                  |                          | Spray       |
| -28F   | 0.5 GPM [1.9L]      | x                |                          | Laminar     |
| -2F    | 2.2 GPM [8.3L]      | x                |                          | Aerator     |
| -3F    | 0.5 GPM [1.9L]      | x                |                          | Spray       |
| -4F    | 2.2 GPM [8.3L]      | x                |                          | Laminar     |
| -7F    | 1.0 GPM [3.8L]      |                  | x                        | Spray       |
| -FC    | 2.0 GPM [7.6L]      |                  | x                        |             |
| -FC0.5 | 0.5 GPM [1.9L]      |                  | x                        |             |
| -FC1.0 | 1.0 GPM [3.8L]      |                  | x                        |             |
| -FC1.5 | 1.5 GPM [5.7L]      |                  | x                        |             |
| -27F   | 0.5 GPM [1.9L]      |                  |                          | Laminar     |



**Product Compliance:**

- ADA
- ASME A112.18.1/CSA B125.1
- CEC
- CSA B125.1
- IPC
- NSF 372

\*Complies with ADA & ICC A117.1 accessibility requirements when installed according to the requirements outlined in these standards.

*\*Although products with certain combinations of options and features will meet or comply with these standards and/or certifications, not every combination of options and features will result in such compliance. If you have any questions about your particular product, please contact our Customer Care Dept. at 1-855-ONE-ZURN (United States) or 1-877-892-5216 (Canada) for confirmation.*

[Installation Guide - CF1192.pdf](#)

Architectural/Engineering Approval

Design and dimensional data (inches and [mm]) are subject to manufacturing tolerances and change without notice.

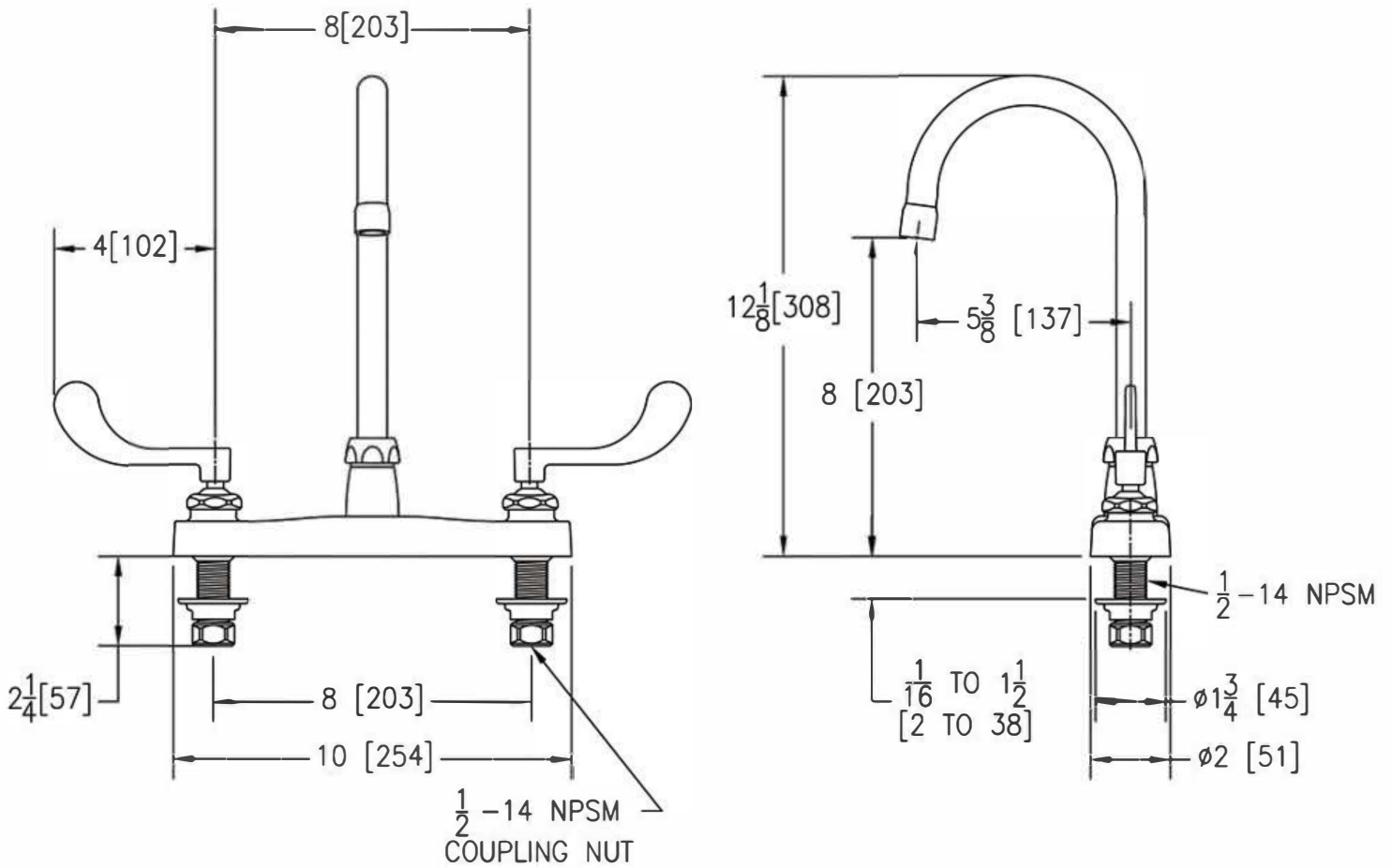
⚠ WARNING: Cancer and Reproductive Harm - [www.P65warnings.ca.gov](http://www.P65warnings.ca.gov)  
 ⚠ ADVERTENCIA: Cáncer y daño reproductivo - [www.P65warnings.ca.gov](http://www.P65warnings.ca.gov)  
 ⚠ AVERTISSEMENT: Cancer et effets néfastes sur la reproduction - [www.P65warnings.ca.gov](http://www.P65warnings.ca.gov)



# Model(s) Z871B4-XL

8" Brass Deck Faucet with a 5-3/8" Centerline Rigid or Swing Gooseneck Spout and 4" Wrist Blade Handles

TAG \_\_\_\_\_



NOTE: All dimensions are for reference only. Do not use for pre-plumbing.

Design and dimensional data (inches and [mm]) are subject to manufacturing tolerances and change without notice.

⚠ WARNING: Cancer and Reproductive Harm - [www.P65warnings.ca.gov](http://www.P65warnings.ca.gov)  
 ⚠ ADVERTENCIA: Cáncer y daño reproductivo - [www.P65warnings.ca.gov](http://www.P65warnings.ca.gov)  
 ⚠ AVERTISSEMENT: Cancer et effets néfastes sur la reproduction - [www.P65warnings.ca.gov](http://www.P65warnings.ca.gov)