

Assembly Guide



Bush
FURNITURE

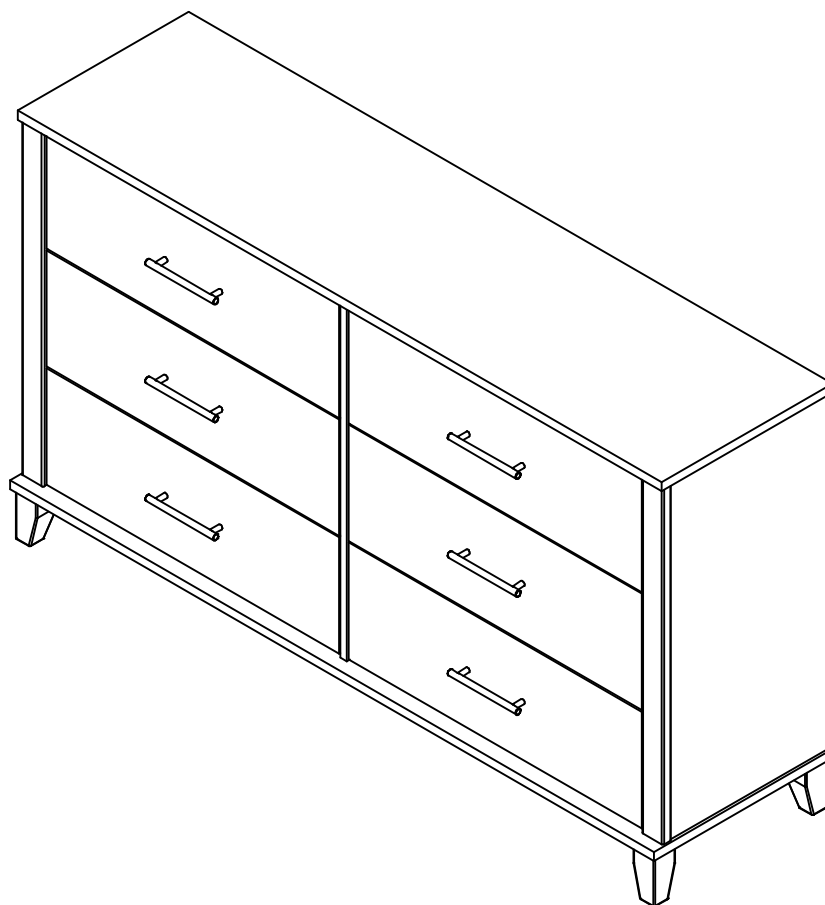


If you're having any difficulty during assembly of this product, don't hesitate to call us at **1-800-950-4782.**

Our customer service experts are trained to provide step-by-step instruction and can easily replace any missing or damaged parts.

Representatives are available Monday-Friday from 8:30 a.m. to 7:30 p.m. (ET)

6 Drawer Dresser



Lot Code #

Part Number A184142E

Keep manual for future reference.

For best results, keep these tips in mind:

- ① We know you want to finish this assembly as quickly as possible, but trust us: you'll have a better experience if you take it one step at a time.
- ② Give yourself some room to work near where you want the fully assembled product.
- ③ If your floor isn't carpeted, assemble this product on the empty carton to avoid scratching.
- ④ Do you have a friend who owes you a favor? Some steps may go a little easier with a second set of hands.

DOs

- ✔ Use a #2 Phillips head screwdriver (or other handheld tools as indicated)
- ✔ Wear safety glasses at all times during assembly
- ✔ Carefully follow the instructions in this guide and complete all steps in order
- ✔ Give us a call if you're having trouble with a particularly tricky step

DON'Ts

- ✘ We know power tools are quick and easy, but you shouldn't use them when assembling this product (unless otherwise specified)
- ✘ Never move your furniture with items inside or resting on the surface
- ✘ Do not attempt to use this product before all steps have been completed



Watch assembly videos right on your phone or computer!



Some steps include QR codes that link to helpful videos. Watch out for the icon on the left! Simply open up your smartphone camera to scan the code.

(Users of older smartphones may need to install a QR Reader.)

SCAN HERE



FOR VIDEOS

Or visit <https://www.bushfurniture.com/CustomerService/HowtoAssemble.aspx>

THIS PRODUCT MEETS THE REQUIREMENTS OF ASTM F2057-14 STANDARD SAFETY SPECIFICATION FOR CLOTHING STORAGE UNITS, WHEN PROPERLY ASSEMBLED AND WHEN ALL SAFETY WARNINGS ARE UNDERSTOOD AND FOLLOWED.

ESTE PRODUCTO DE VAPOR LOS REQUISITOS DEL ESTÁNDAR ASTM F2057-14 ESPECIFICACIONES DE SEGURIDAD PARA LAS UNIDADES DE ALMACENAMIENTO DE ROPA, CUANDO ESTÉN MONTADOS Y CUANDO TODOS SEGURIDAD Y ADVERTENCIAS SE ENTIENDEN SIGUIÓ.

CE PRODUIT CONFORME AUX EXIGENCES DE ASTM F2057-14 STANDARD POUR LES CARACTERISTIQUES UNITES DE STOCKAGE DE SÉCURITÉ VÊTEMENTS ET QUAND CORRECTEMENT ASSEMBLE QUAND TOUS SONT COMPRENDRE ET MISES EN GARDE DE SÉCURITÉ RESPECTER.

THE TIPOVER RESTRAINT HARDWARE MEETS THE REQUIREMENTS OF ASTM F3096-14, STANDARD PERFORMANCE SPECIFICATION FOR TIPOVER RESTRAINT(S) USED WITH CLOTHING STORAGE UNIT(S), WHEN PROPERLY INSTALLED.

EL HARDWARE DE SEGURIDAD TIPOVER CUMPLE CON LOS REQUISITOS DE LA ESPECIFICACIÓN ESTÁNDAR ASTM F3096-14 PARA LOS RESIDUOS DE TIPOVER UTILIZADOS CON UNIDADES DE ALMACENAMIENTO DE ROPA CUANDO ESTÁ CORRECTAMENTE INSTALADO.

LE MATÉRIEL DE RETRAIT DE TIPOVER REJOIGNE AUX EXIGENCES DE L'ASTM F3096-14, SPÉCIFICATION STANDARD DES PERFORMANCES POUR LA RETRAIT DE TISSER (S) UTILISÉ (S) AVEC UNITÉ (S) DE STOCKAGE DE VÊTEMENTS, QUAND IL EST INSTALLÉ.

VERIFY THAT FURNITURE IS STABLE ON ITS OWN. FOR ADDED SECURITY, TIPOVER RESTRAINT HARDWARE HAS BEEN PROVIDED.

VERIFIQUE QUE LOS MUEBLES ESTÁN ESTABLES EN SUS PROPIOS. PARA LA SEGURIDAD ADICIONAL, HARDWARE DE RETENCIÓN DE TIPOVER HA SIDO PROPORCIONADO.

VÉRIFIEZ QUE LE MEUBLE EST STABLE SUR SES PROPRES. POUR LA SÉCURITÉ ADDITIONNEE, LE MATÉRIEL DE RETRAIT DE TIPOVER A ÉTÉ FOURNI.

REMOVE ITEMS THAT MIGHT TEMPT KIDS TO CLIMB, SUCH AS TOYS AND REMOTE CONTROLS, FROM THE TOP OF FURNITURE.

ELIMINE LOS ARTÍCULOS QUE PUEDEN TENTAR NIÑOS PARA SUBIR, COMO JUGUETES Y MANDOS A DISTANCIA, DESDE LA PARTE SUPERIOR DE LOS MUEBLES.

RETIRER DES ARTICLES QUI PEUVENT TEMPÉRER LES ENFANTS À CLIMB, TELS QUE LES JOUETS ET LES TÉLÉCOMMANDES, À PARTIR DU HAUT DE MEUBLES.

WE COMPLY

Ask us about ASTM F2057-14.

- 1) It passes TWO stability tests.**
- 2) The product must have a permanent warning label.**
- 3) Tipover restraints must be included with each item of furniture.**

- 1) Pasa DOS pruebas de estabilidad.
- 2) La pieza debe tener una etiqueta de advertencia permanente.
- 3) Se deben incluir las restricciones de punta con cada mueble.

- 1) Il passe deux tests de stabilité.
- 2) La pièce doit avoir une étiquette d'avertissement permanente.
- 3) Les dispositifs de retenue doivent être inclus avec chaque meuble.

Have an assembly question or need a replacement part? Just call
1-800-950-4782, we are here to help.

IMPORTANT SAFETY INFORMATION



PLEASE READ WARNINGS

Improper use can cause safety hazards, or damage to your furniture and household items.

Warning	Do	Don't	Why it's important
Serious injury may occur.	<ul style="list-style-type: none">Assemble following all instructions using all indicated parts and hardware provided.Install tip-over restraint provided.Install every indicated nail and/or screw.Verify furniture is stable on it's own.Place heaviest items in the lower drawers.Remove items that might tempt kids to climb, such as toys and remote controls from the top and upper shelves of furniture.	<ul style="list-style-type: none">Do not move unit when loaded.Do not load with a television or other heavy equipment.Do not exceed the maximum load limits stated in the instructions.Do not defeat, alter or remove the drawer interlock system.Do not allow children to stand, climb, or hang on furniture.Do not open more than one drawer a time.	Improper assembly, use or loading can lead to product instability, tipover, or collapse.

Advertencia	Hacer	No	Por qué es importante
Pueden producirse lesiones graves.	<ul style="list-style-type: none">Realice el montaje siguiendo todas las instrucciones y utilizando todas las piezas indicadas y los herrajes suministrados.Instale el sistema de retención antivuelco suministrado.Instale todos los clavos y/o tornillos indicados.Compruebe que el mueble sea estable por sí mismo.Coloque los objetos más pesados en los cajones inferiores.Retire los objetos que puedan tentar a los niños a trepar, como juguetes y mandos a distancia, de los estantes superiores y superiores del mueble.	<ul style="list-style-type: none">No mueva la unidad cuando esté cargada.No cargue el mueble con un televisor u otro equipo pesado.No supere los límites máximos de carga indicados en las instrucciones.No desactive, modifique ni retire el sistema de enclavamiento de los cajones.No permita que los niños se pongan de pie, trepen o se cuelguen de los muebles.No almacene equipos electrónicos en estanterías cerradas o sin ventilación.	El montaje, uso o carga inadecuados pueden provocar inestabilidad, vuelco o colapso del producto.

IMPORTANT SAFETY INFORMATION



PLEASE READ WARNINGS

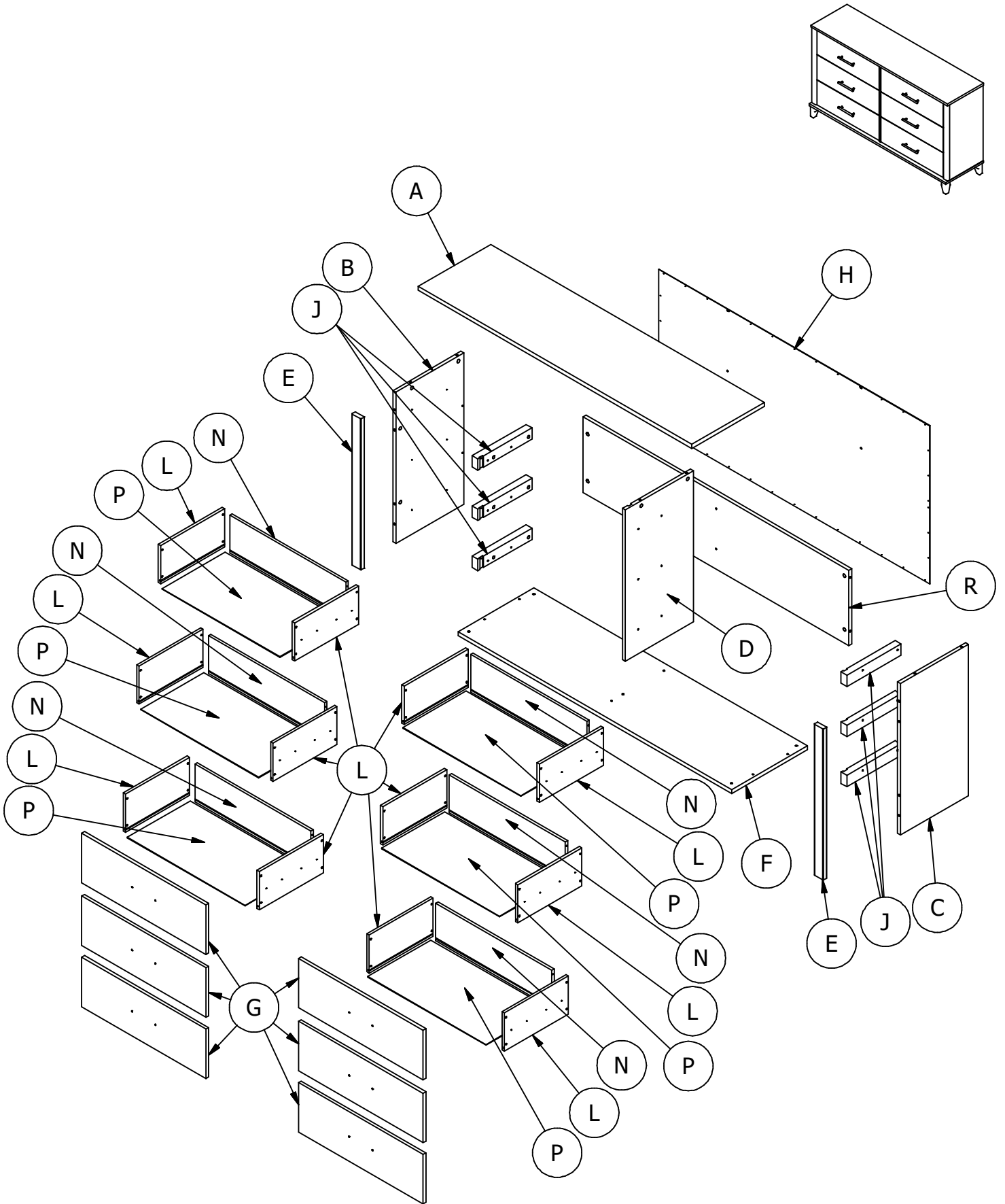
Improper use can cause safety hazards, or damage to your furniture and household items.

Avertissement	À faire	À ne pas faire	Pourquoi c'est important
Peut entraîner des blessures graves.	<ul style="list-style-type: none">• Assembler en suivant toutes les instructions et en utilisant toutes les pièces et la quincaillerie incluses.• Installer le matériel de fixation mural inclus.• Installer tous les clous et/ou toutes les vis.• Assurez-vous que le meuble soit stable par lui-même.• Placer les objets les plus lourds dans les tiroirs du bas.• Retirer les objets qui pourraient inciter les enfants à grimper comme les jouets et les télécommandes des tablettes supérieures et du dessus du meuble.	<ul style="list-style-type: none">• Ne pas déplacer le meuble lorsqu'il est chargé.• Ne pas charger le meuble avec un téléviseur ou tout autre équipement lourd.• Ne pas dépasser les limites de poids maximales indiquées dans les instructions.• Ne pas désactiver, modifier ou retirer le système de verrouillage du tiroir.• Ne pas laisser les enfants se tenir sur les meubles, y grimper ou s'y suspendre.• Ne pas ouvrir plus d'un tiroir à la fois.	Un assemblage, une utilisation ou un chargement incorrects peuvent entraîner l'instabilité, le basculement ou l'effondrement du produit.

This product meets tip stability safety specification for clothing storage units. ASTM F2057-19.

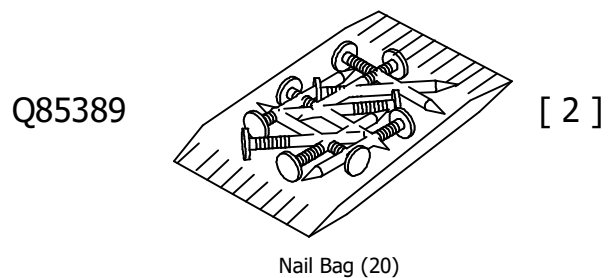
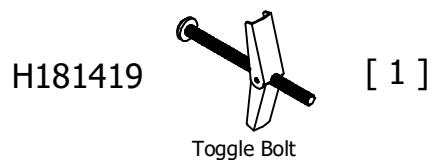
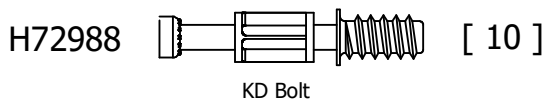
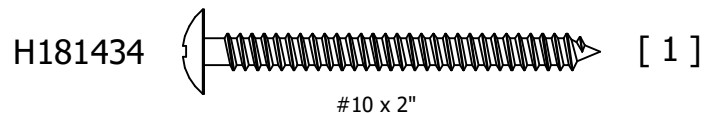
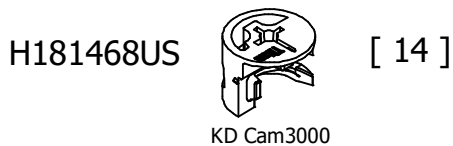
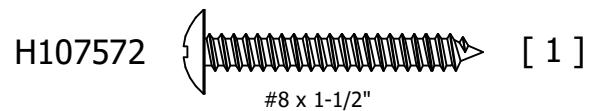
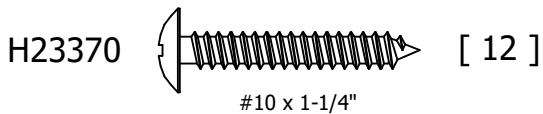
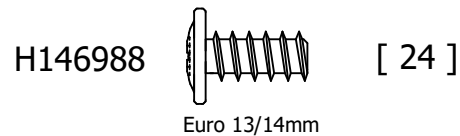
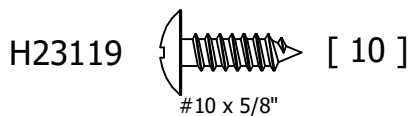
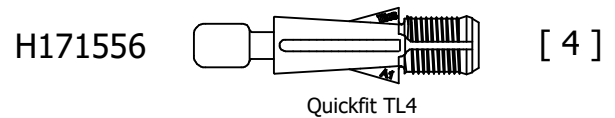
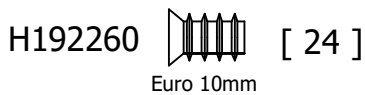
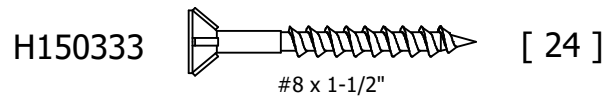
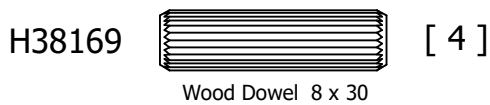
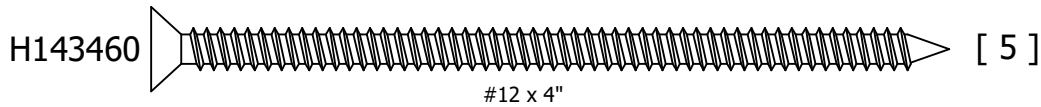
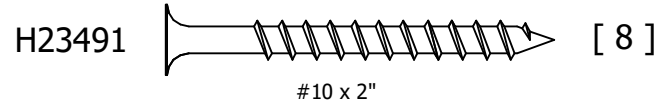
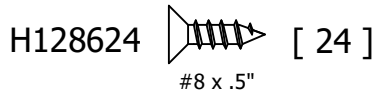
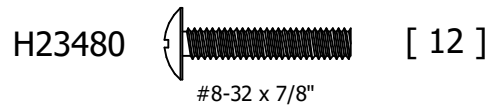
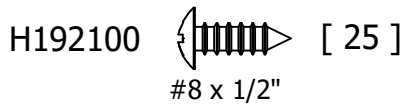
Ce produit est conforme à la norme sur les spécifications de sécurité en matière de stabilité pour les unités de rangement de vêtements. ASTM F2057-19.

Este producto es conforme a la norma relativa a las especificaciones de estabilidad en materia de seguridad aplicables a los muebles para guardar ropa. ASTM F2057-19.



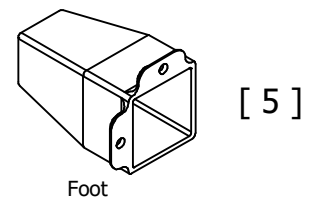
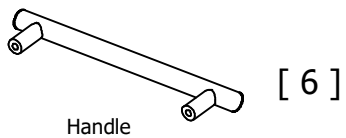
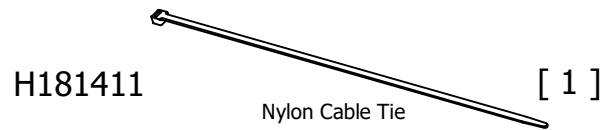
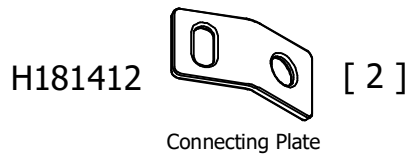
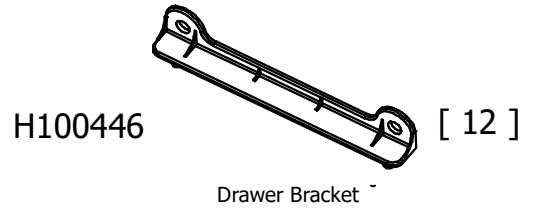
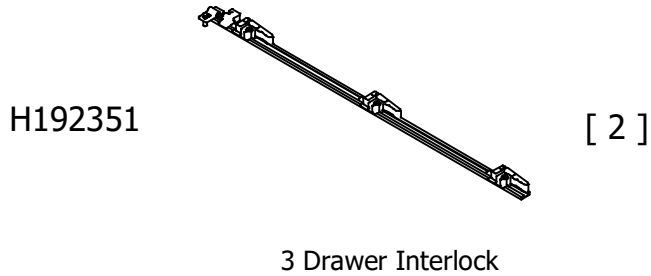
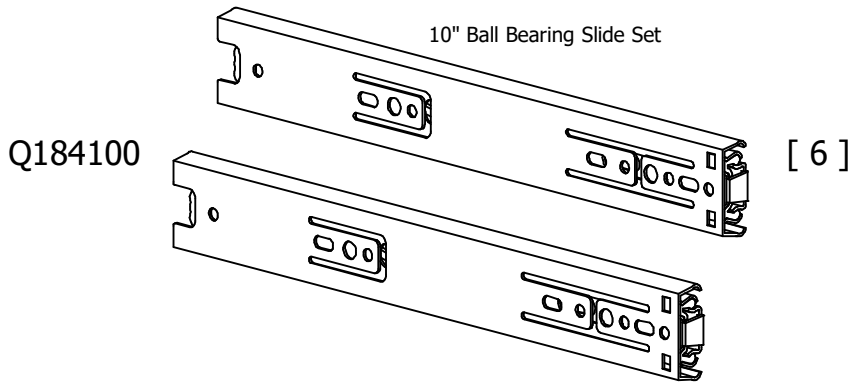
Have an assembly question or need a replacement part? Just call
1-800-950-4782, we are here to help.

Fasteners are shown actual size.



Have an assembly question or need a replacement part? Just call
1-800-950-4782, we are here to help.

Hardware not to scale.



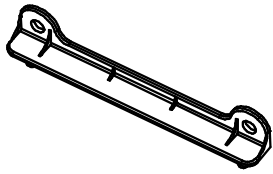
Have an assembly question or need a replacement part? Just call **1-800-950-4782**, we are here to help.

STEP 1

Prepare Panels

A184142E

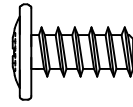
H100446



[12]

Drawer Bracket

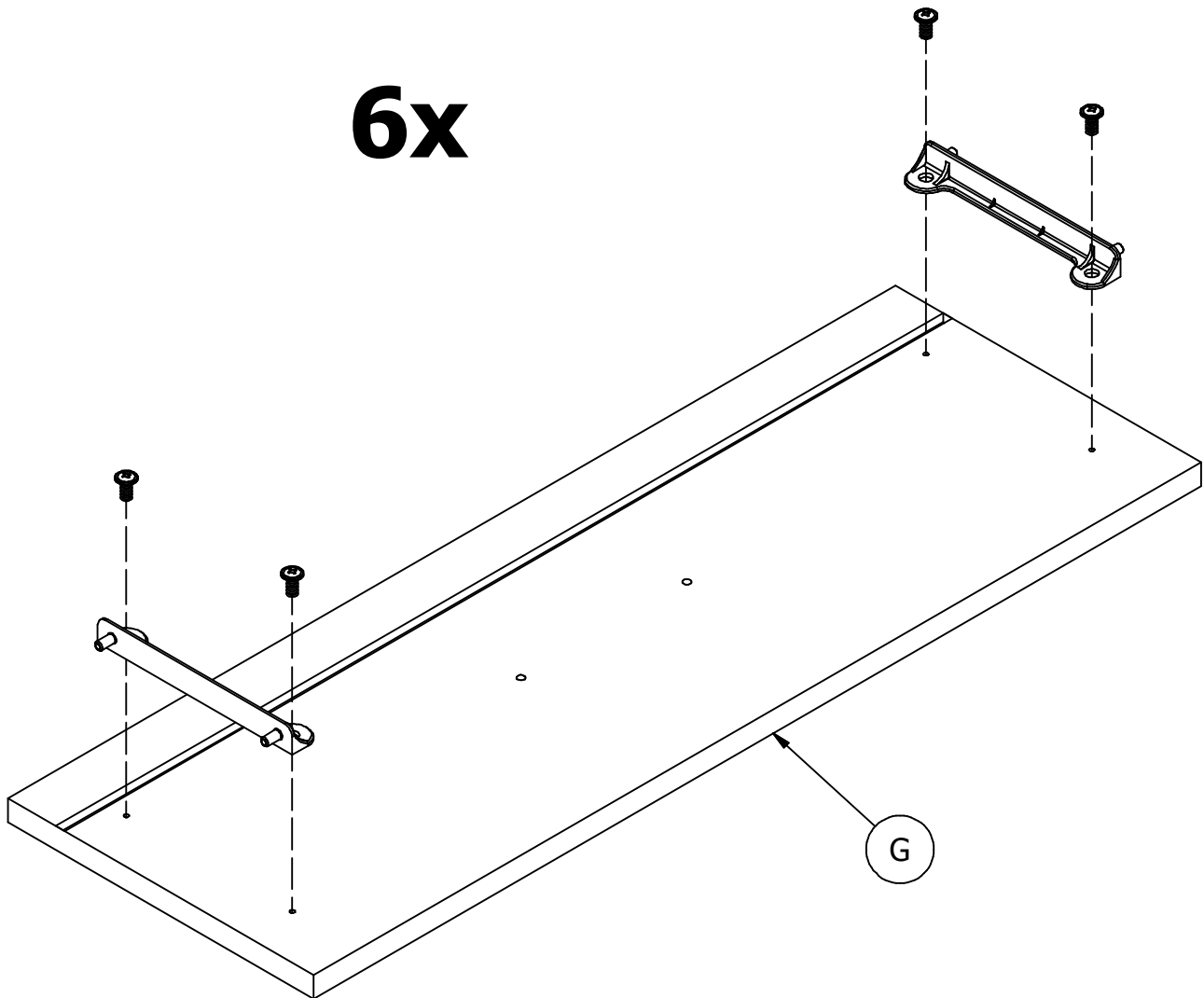
H146988



[24]

Euro 13/14mm

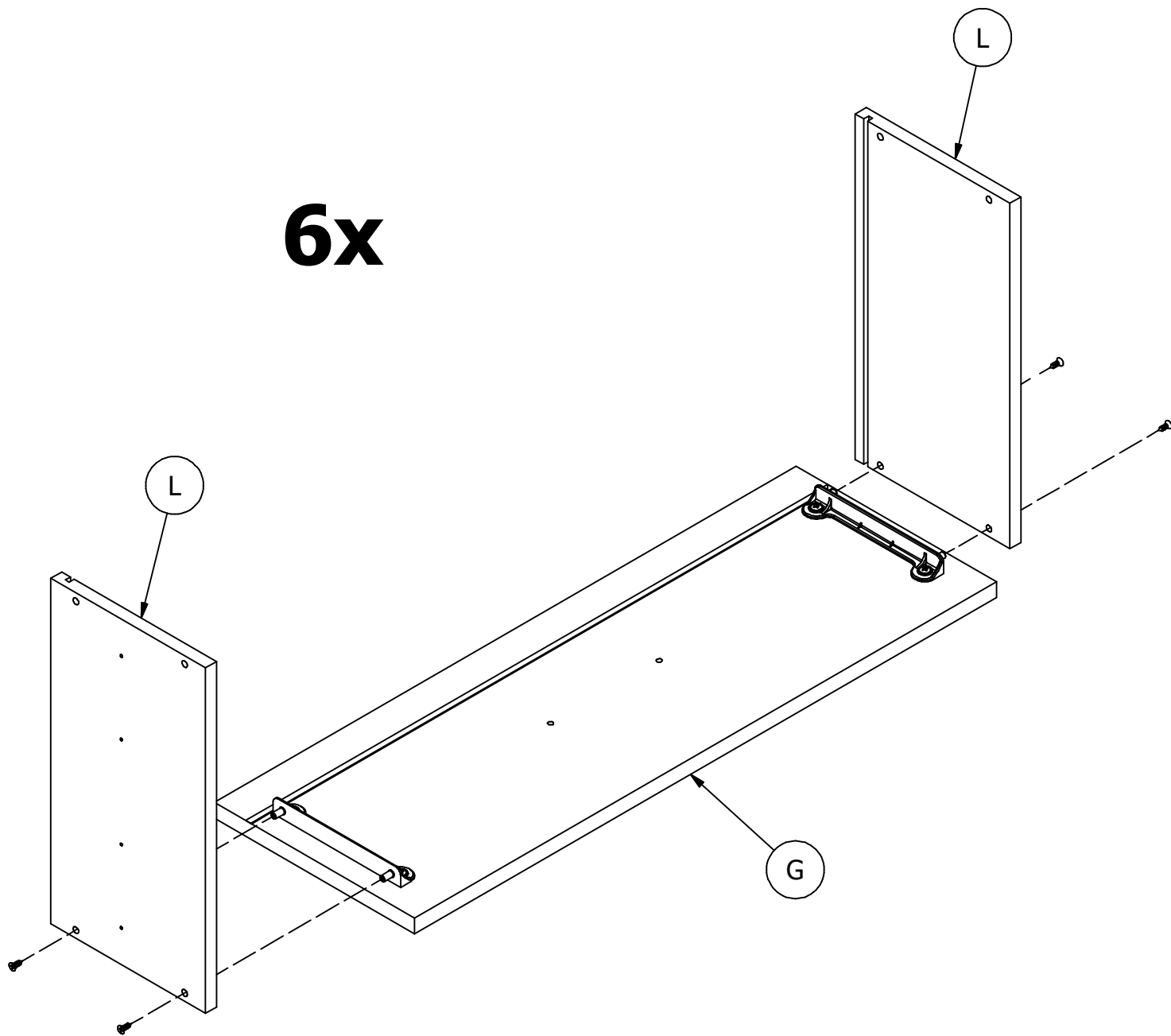
6x



Have an assembly question or need a replacement part? Just call
1-800-950-4782, we are here to help.

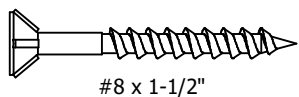
H128624 [24]
#8 x .5"

6x



Have an assembly question or need a replacement part? Just call
1-800-950-4782, we are here to help.

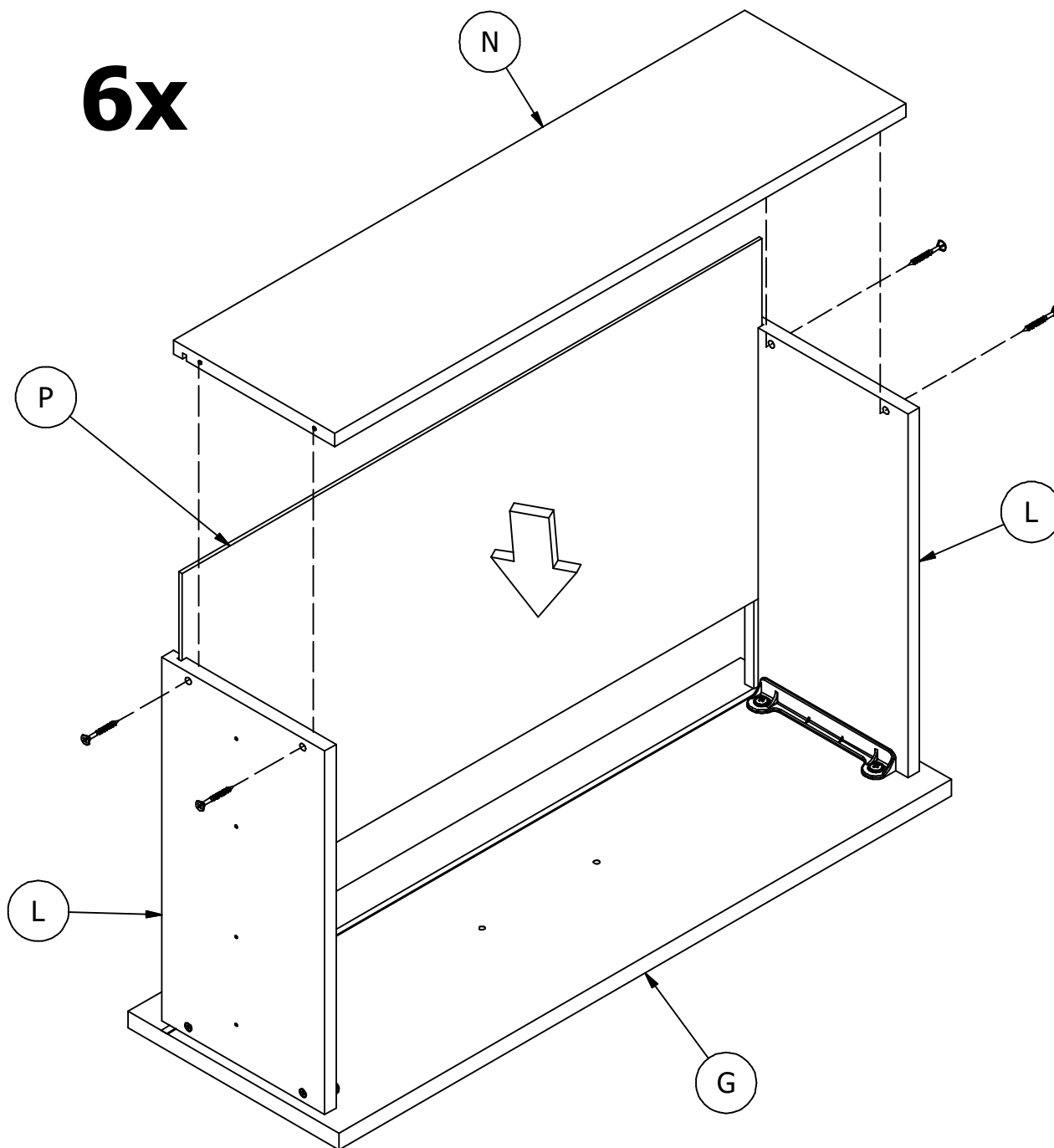
H150333



[24]

#8 x 1-1/2"

6x



Have an assembly question or need a replacement part? Just call
1-800-950-4782, we are here to help.

Scan QR Code to Watch Video on:

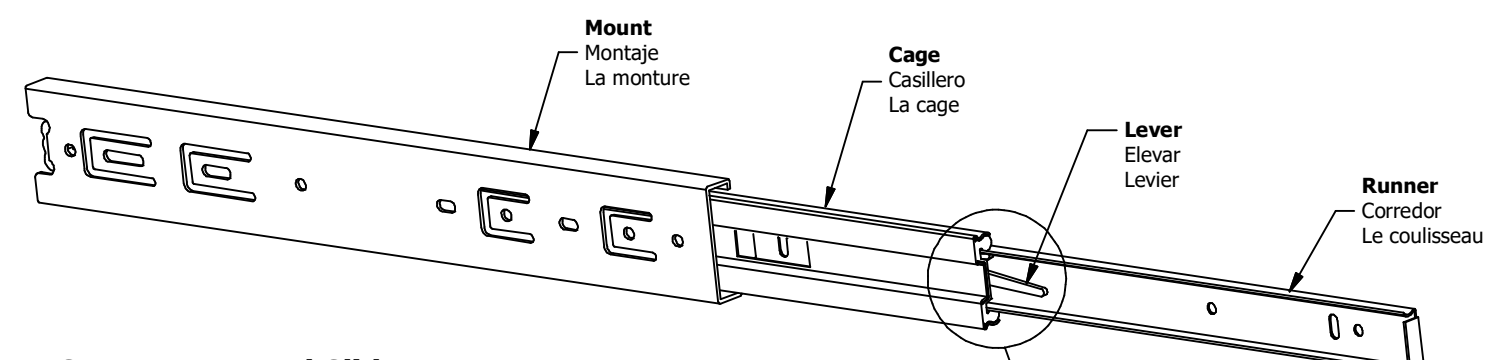


How to Separate and Install Drawer Slides

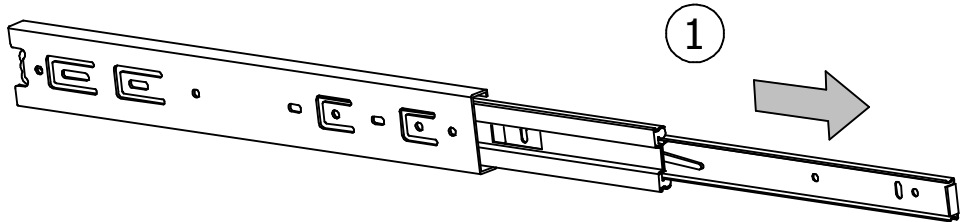
**Slides Must Be Separated Before Assembly.
After Separated, Set Aside Until Needed for Assembly.**

Las diapositivas deben separarse antes del montaje.
Después de la separación, déjelo a un lado hasta que sea necesario.

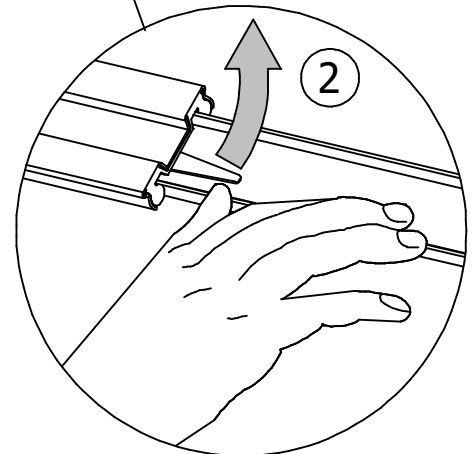
Les glissières doivent être séparées avant l'assemblage.
Après la séparation, mettez de côté jusqu'au moment de l'assemblage.



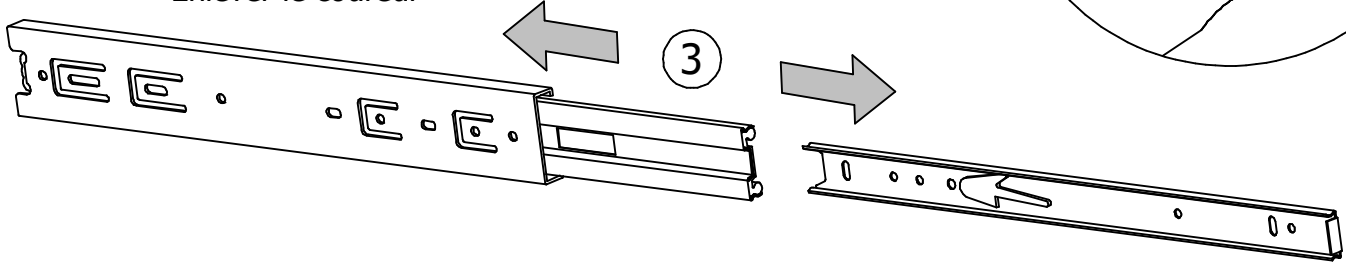
STEP 1: Extend Slide
Extender la diapositiva
Extendre la diapositive



STEP 2: Push Lever UP
Empujar hacia arriba
Lever le levier



STEP 3: Remove Runner
Quitar el corredor
Enlever le coureur



Have an assembly question or need a replacement part? Just call **1-800-950-4782**, we are here to help.

STEP 5

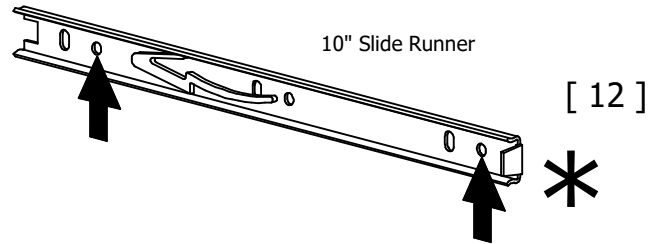
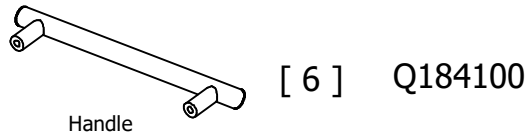
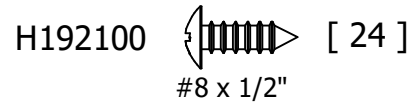
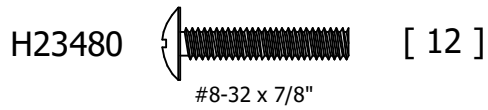
Attach Hardware

A184142E

Scan QR Code to Watch Video on:

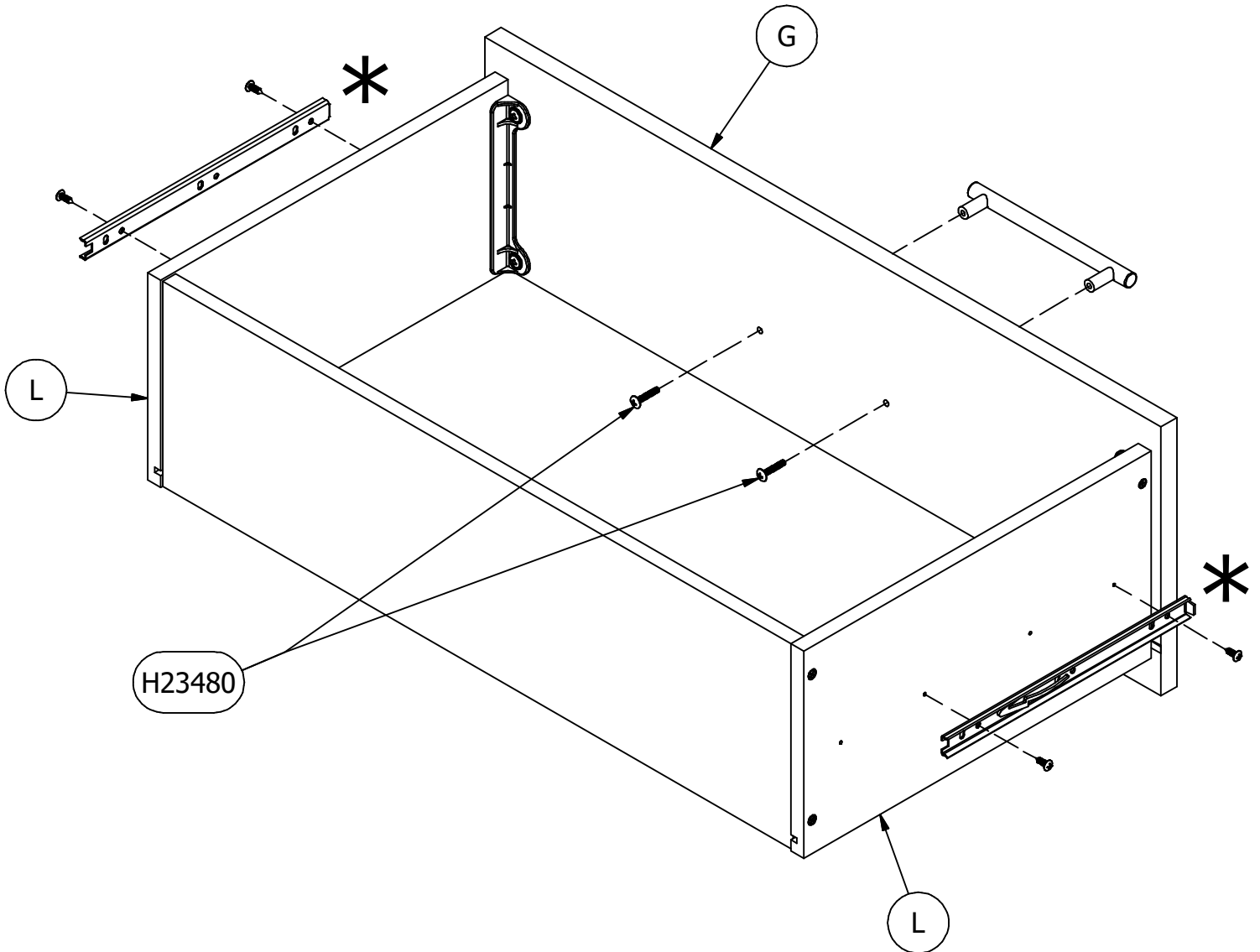


How to Separate and Install Drawer Slides



ORIENTATION
ORIENTACIÓN
ORIENTATION

6x

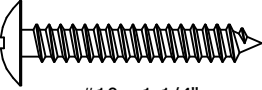


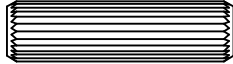
Have an assembly question or need a replacement part? Just call **1-800-950-4782**, we are here to help.

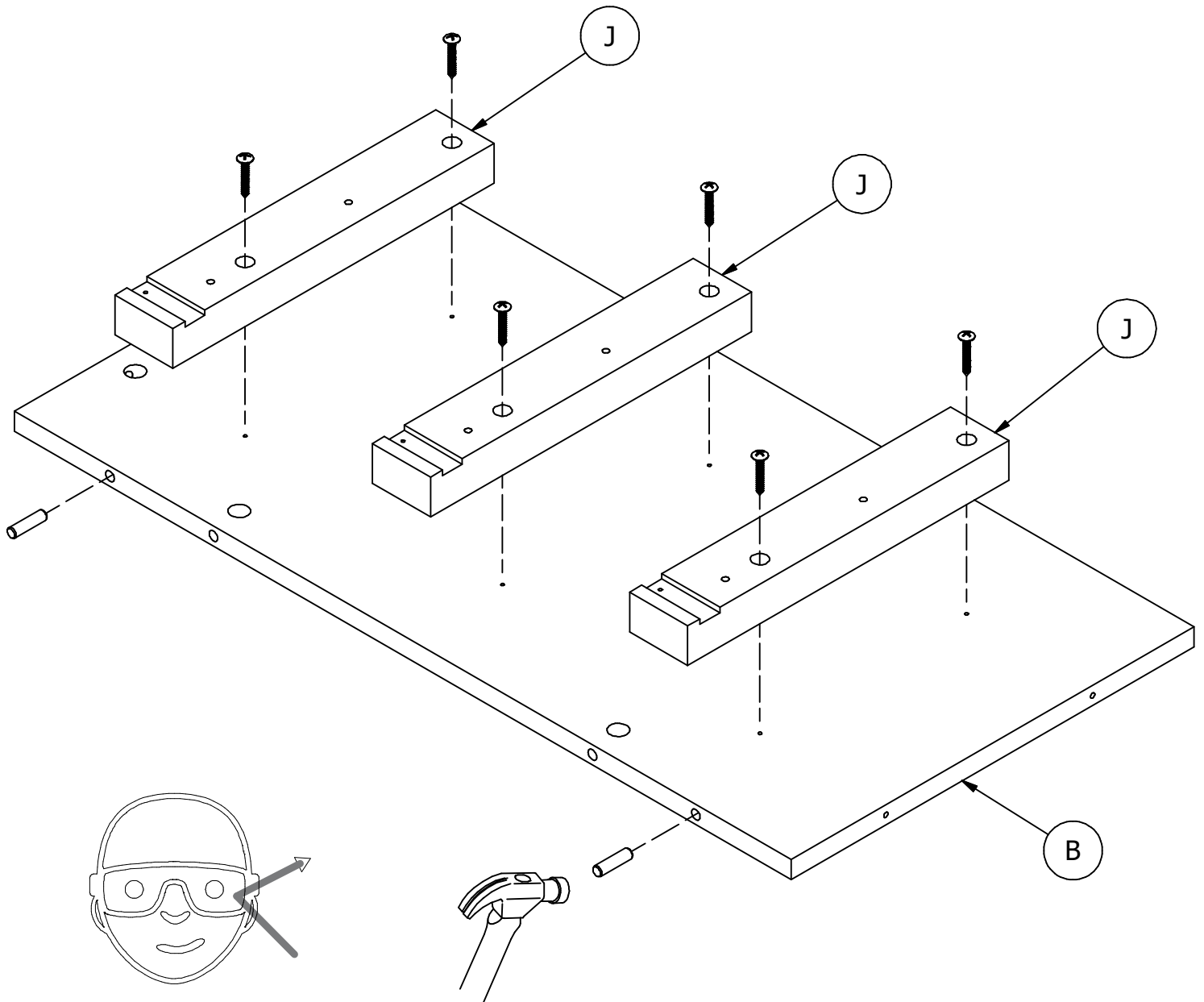
STEP 6

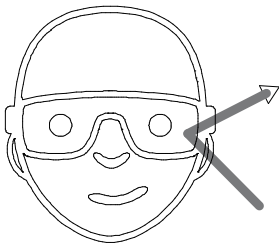
Assemble Panels

A184142E

H23370  [6]
#10 x 1-1/4"

H38169  [2]
Wood Dowel 8 x 30




Safety glasses
Gafas de seguridad
Lunettes de protection

Have an assembly question or need a replacement part? Just call
1-800-950-4782, we are here to help.

STEP 7

Attach Hardware

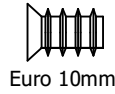
A184142E

Scan QR Code to Watch Video on:

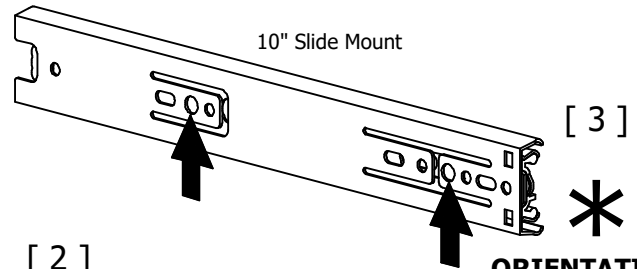
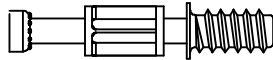


How to Separate and Install Drawer Slides

H192260 [6]
Euro 10mm



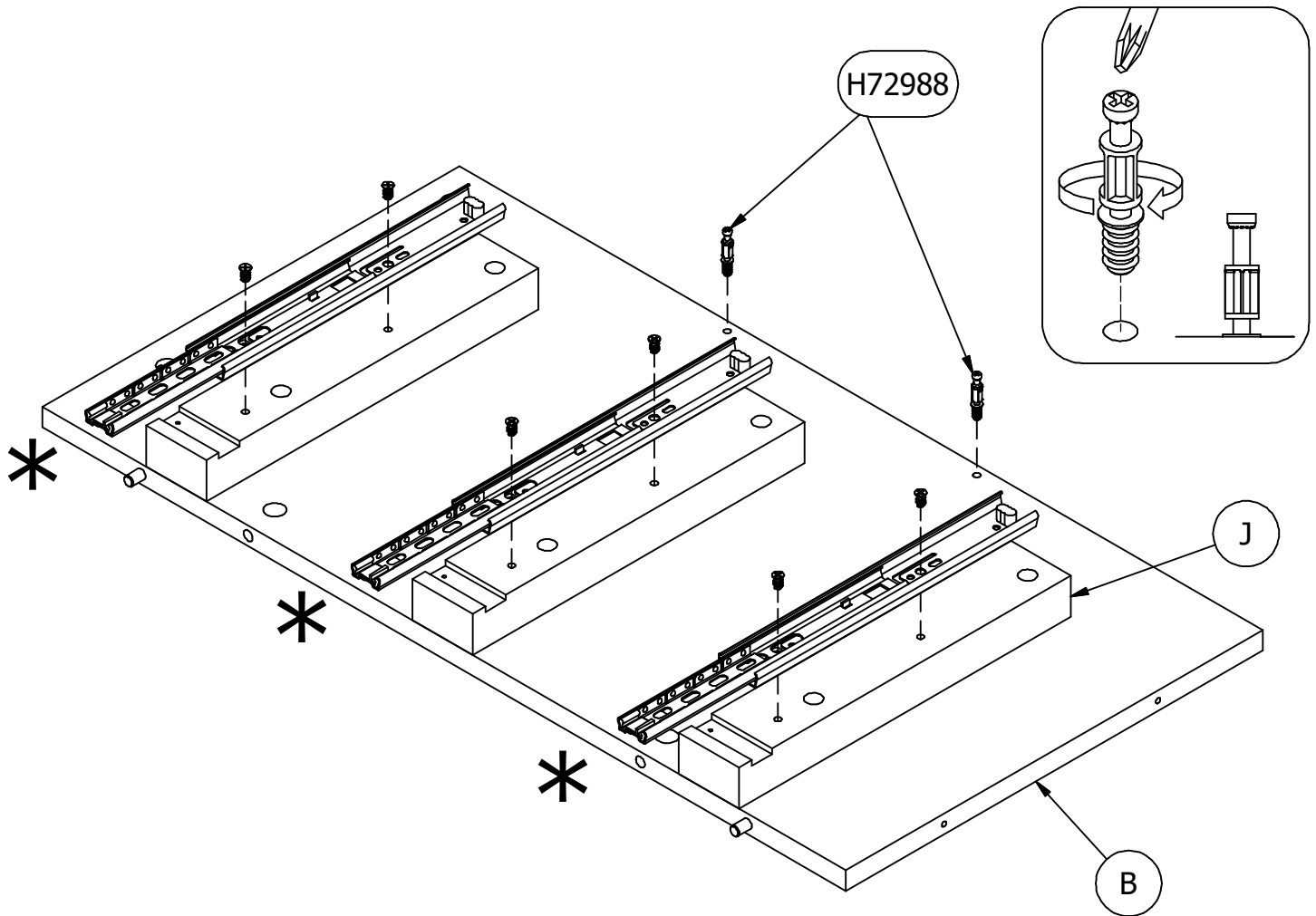
H72988 [2]
KD Bolt



10" Slide Mount

[3]

ORIENTATION
ORIENTACIÓN
ORIENTATION



MOVE SLIDE CAGE TO EXPOSE ALL HOLE LOCATIONS

MUEVA LA JAULA DE DESLIZAMIENTO PARA EXPONER TODAS LAS ZONAS DEL AGUJERO
DÉPLACER LE JOINT DE DIAPORAMA POUR EXPOSER TOUTES LES LOCALISATIONS

Have an assembly question or need a replacement part? Just call **1-800-950-4782**, we are here to help.

STEP 8

Assemble Panels

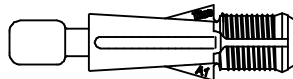
A184142E

Scan QR Code to Watch Video on:



How to Tighten KD Cams

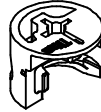
H171556



[2]

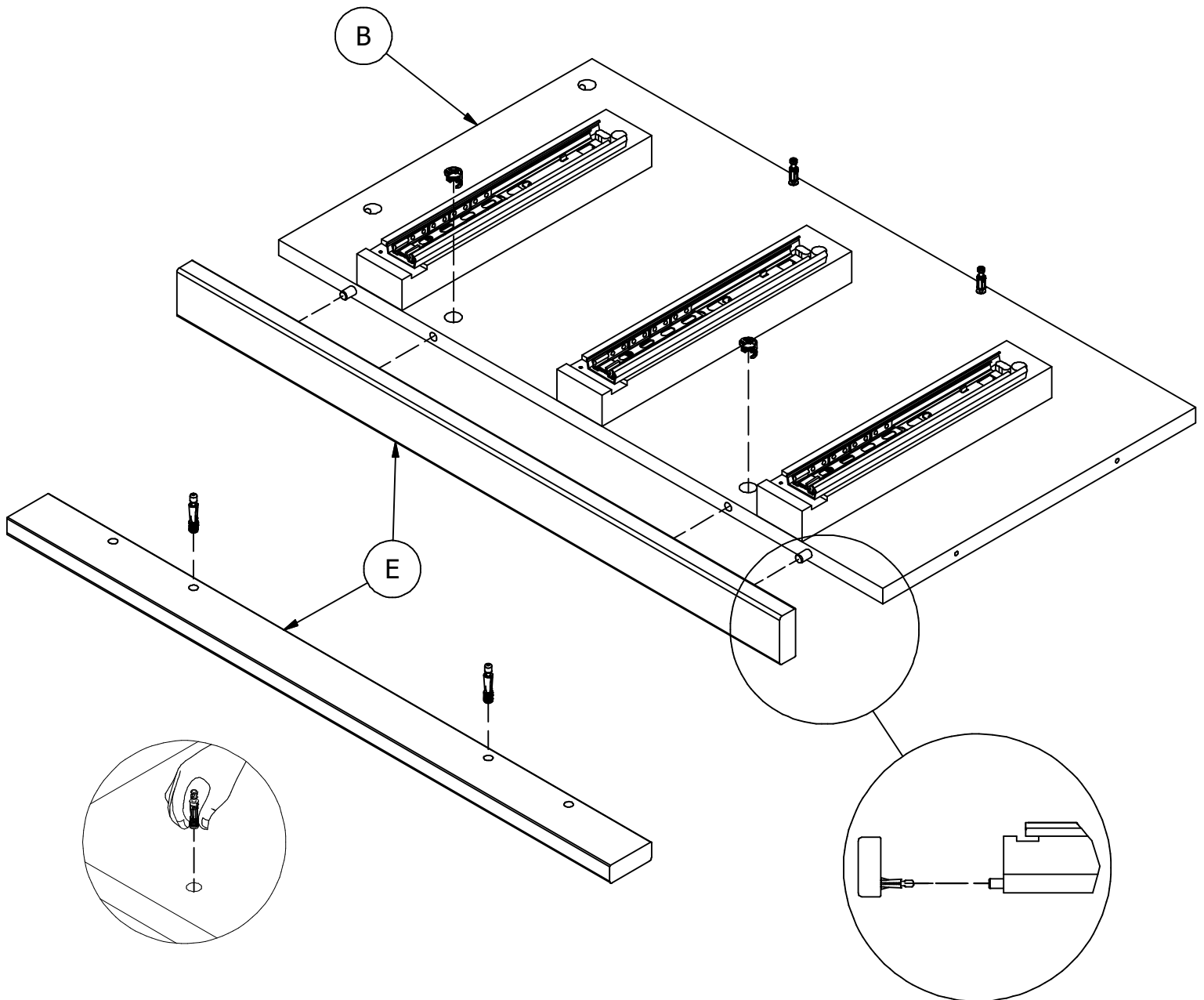
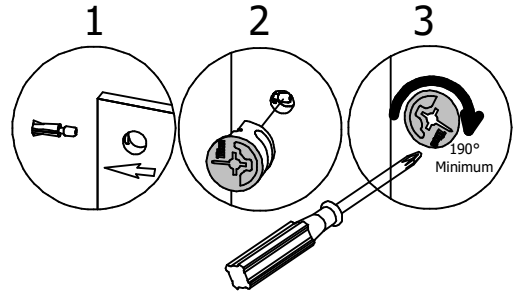
Quickfit TL4

H181468US



[2]

KD Cam3000

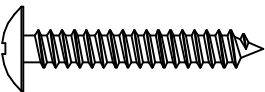


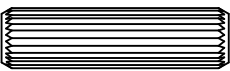
Have an assembly question or need a replacement part? Just call **1-800-950-4782**, we are here to help.

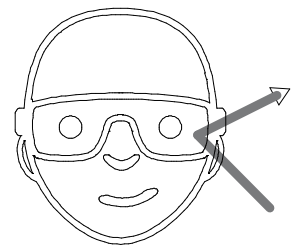
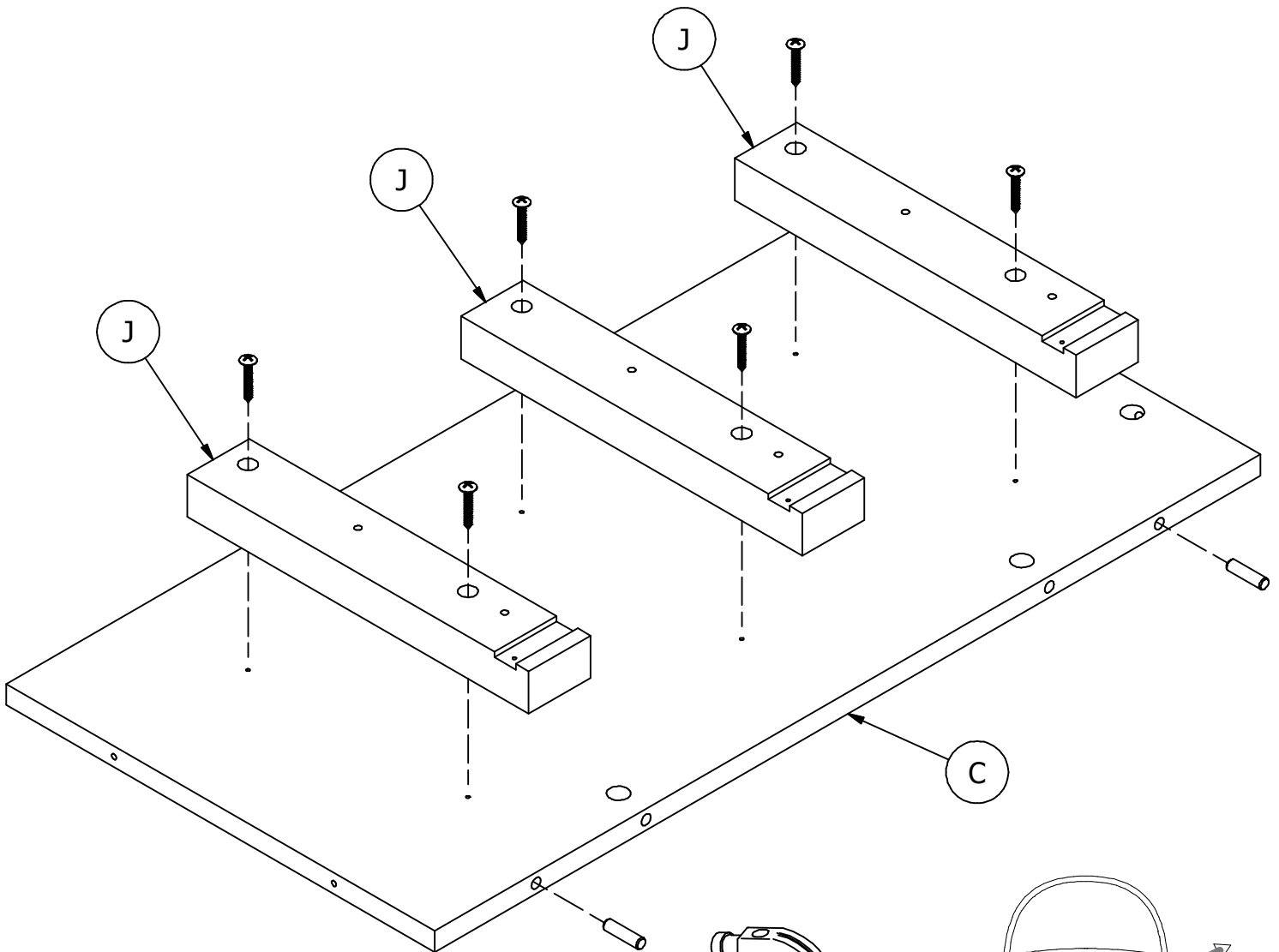
STEP 9

Assemble Panels

A184142E

H23370  [6]
#10 x 1-1/4"

H38169  [2]
Wood Dowel 8 x 30



Safety glasses
Gafas de seguridad
Lunettes de protection

Have an assembly question or need a replacement part? Just call
1-800-950-4782, we are here to help.

STEP 10

Assemble Panels

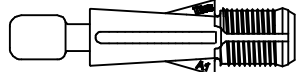
A184142E

Scan QR Code to Watch Video on:



How to Tighten KD Cams

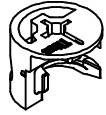
H171556



[2]

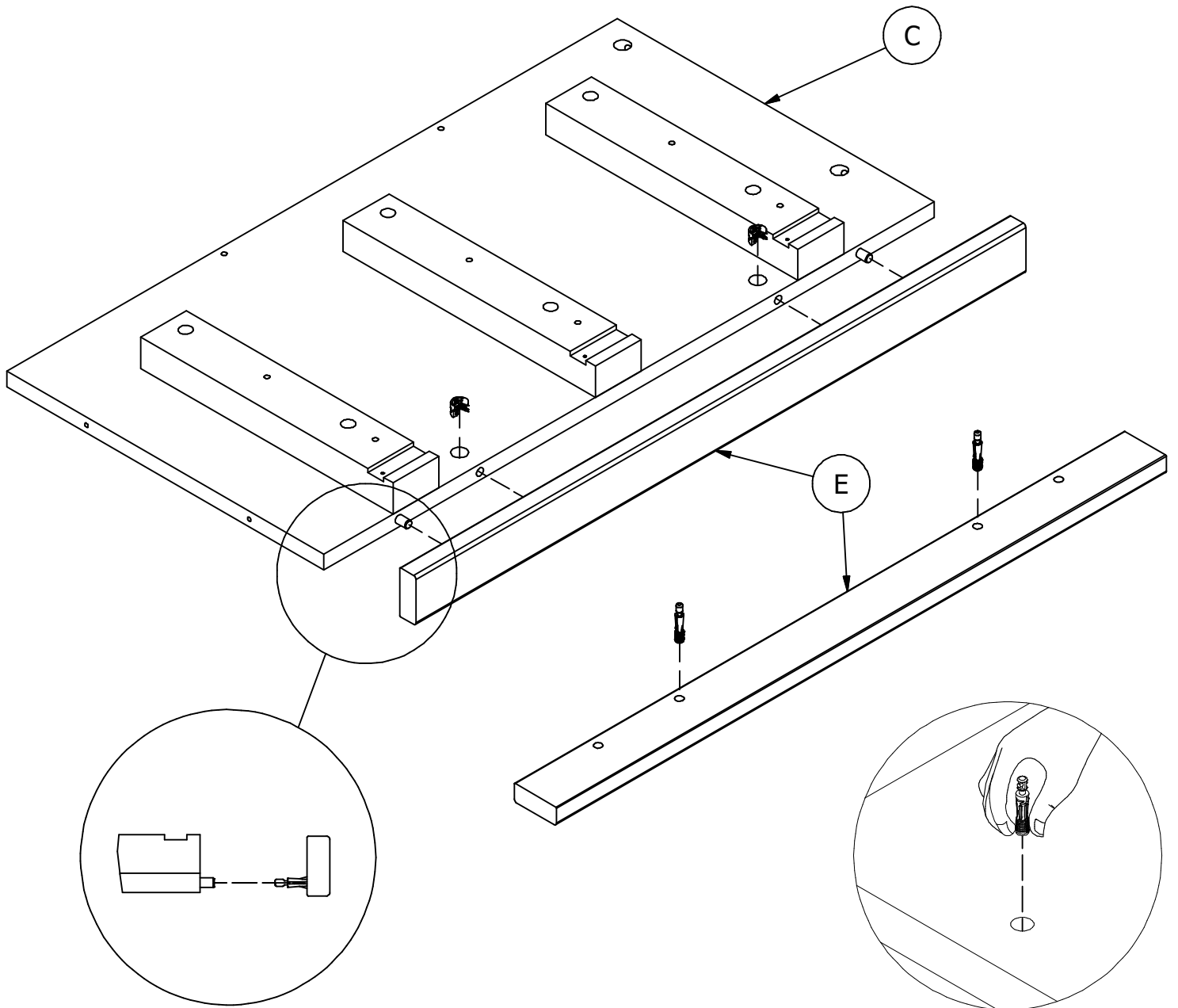
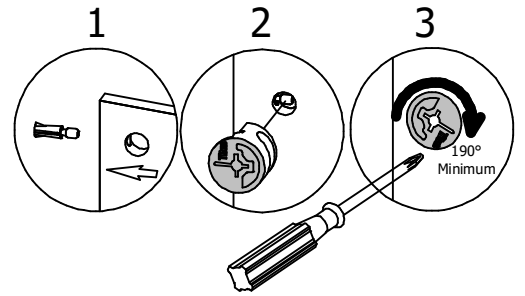
Quickfit TL4

H181468US



[2]

KD Cam3000



Have an assembly question or need a replacement part? Just call **1-800-950-4782**, we are here to help.

STEP 11

Attach Hardware

A184142E

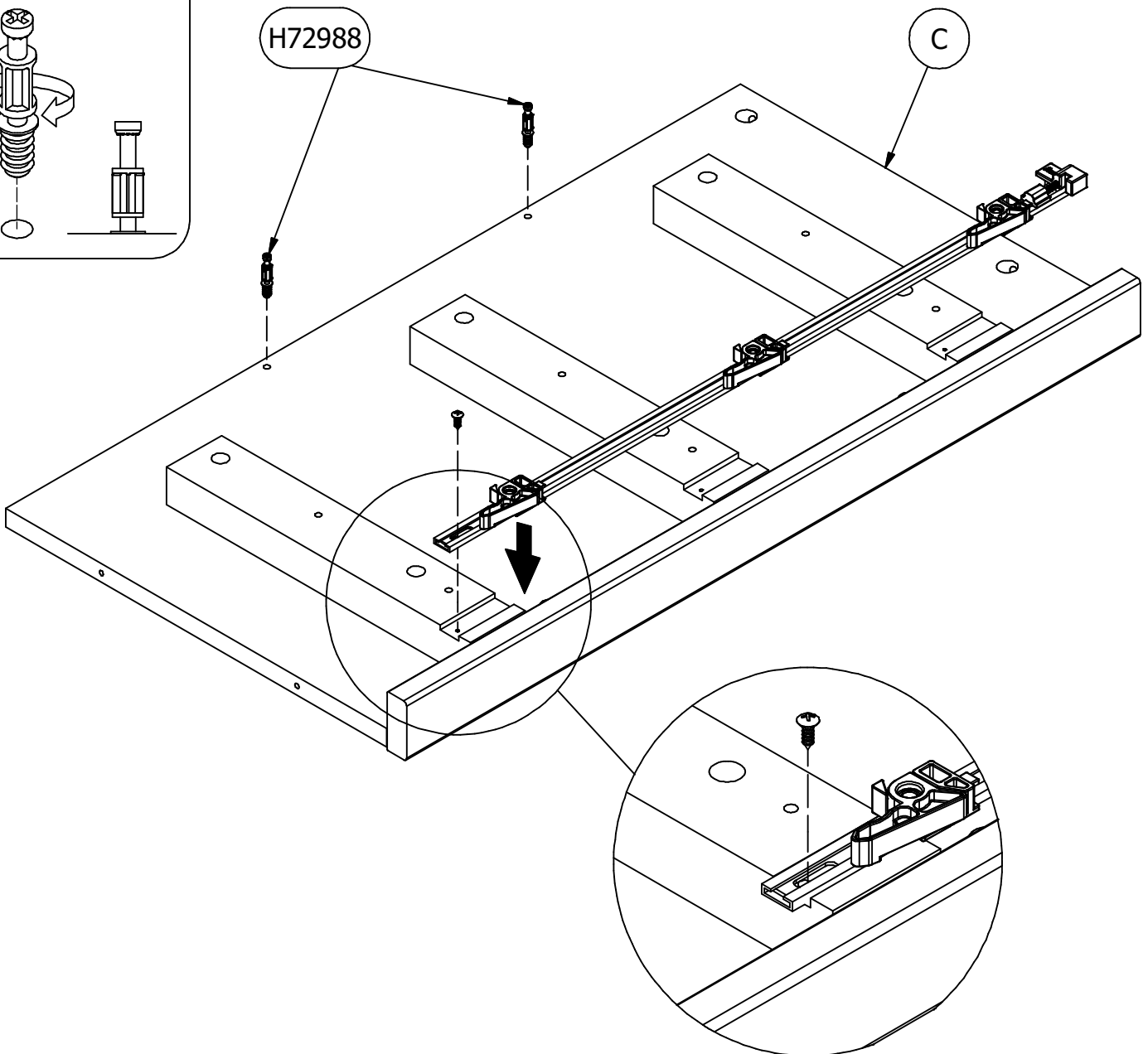
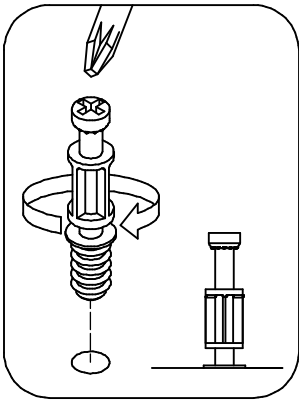
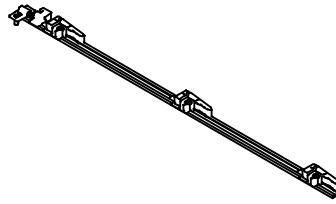
H192100 [1]
#8 x 1/2"

H192351

[1]

H72988 [2]
KD Bolt

3 Drawer Interlock



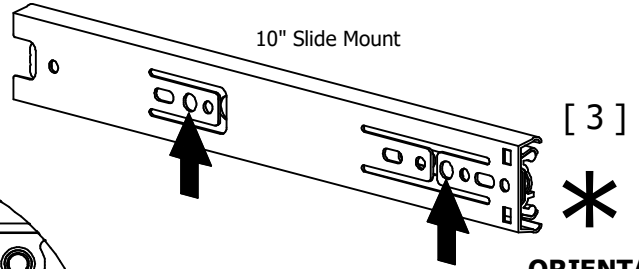
Have an assembly question or need a replacement part? Just call
1-800-950-4782, we are here to help.

Scan QR Code to Watch Video on:



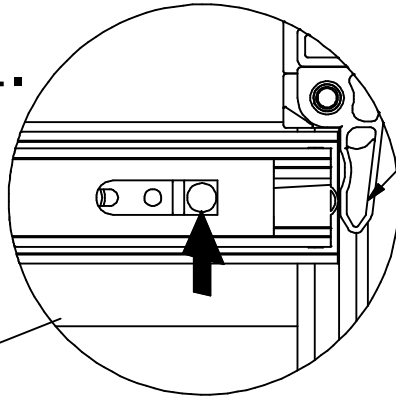
How to Separate and Install Drawer Slides

H192260  [6]
Euro 10mm

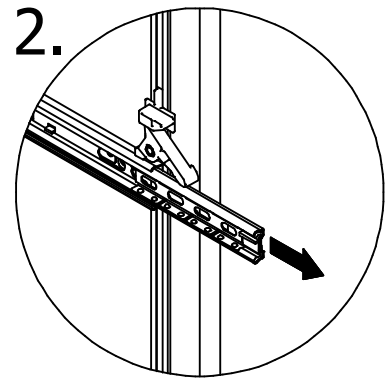


ORIENTATION
ORIENTACIÓN
ORIENTATION

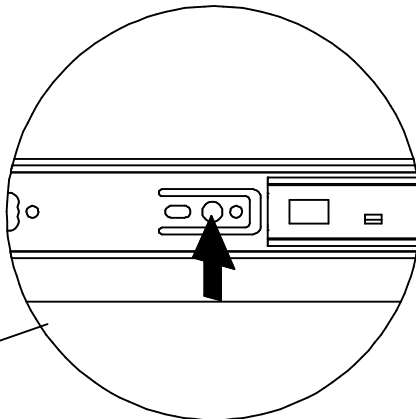
1.



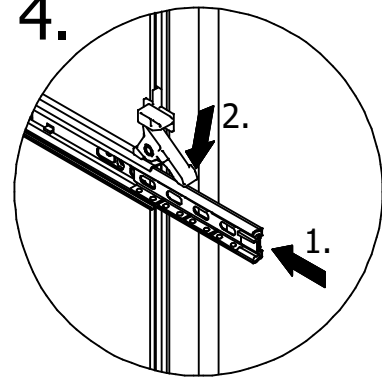
2.



3.



4.



5. Repeat 3x
Repetir 3x
Répétez 3x

Have an assembly question or need a replacement part? Just call **1-800-950-4782**, we are here to help.

STEP 13

Prepare Panel

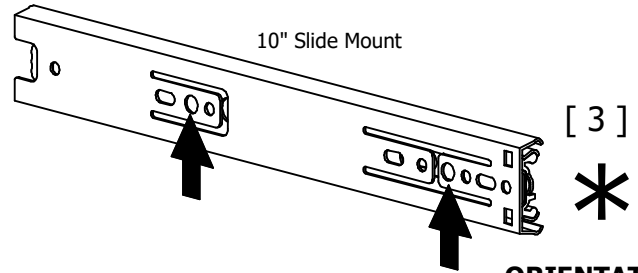
A184142E

Scan QR Code to Watch Video on:

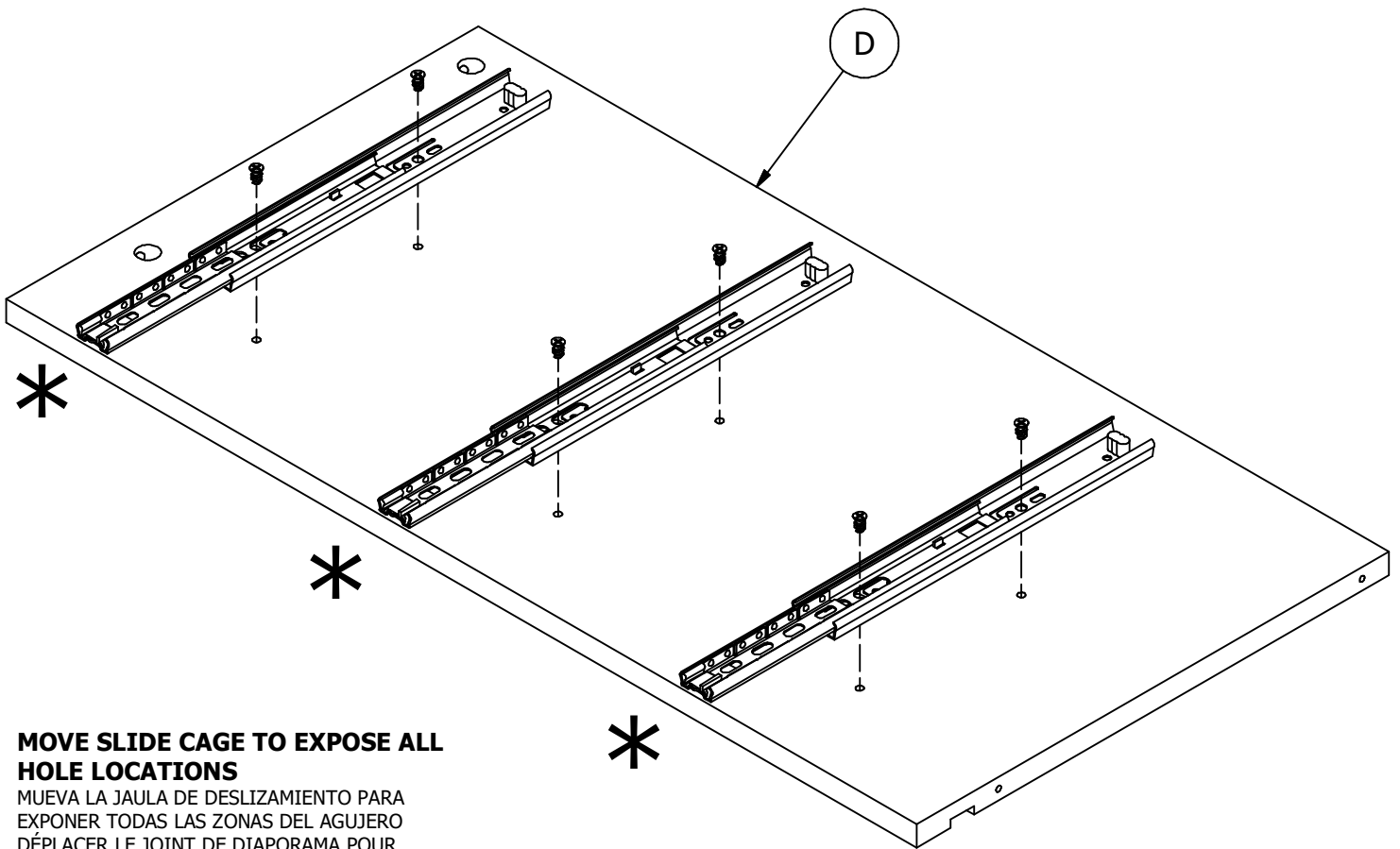


How to Separate and Install Drawer Slides

H192260 [6]
Euro 10mm



ORIENTATION
ORIENTACIÓN
ORIENTATION



MOVE SLIDE CAGE TO EXPOSE ALL HOLE LOCATIONS

MUEVA LA JAULA DE DESLIZAMIENTO PARA EXPONER TODAS LAS ZONAS DEL AGUJERO
DÉPLACER LE JOINT DE DIAPORAMA POUR EXPOSER TOUTES LES LOCALISATIONS

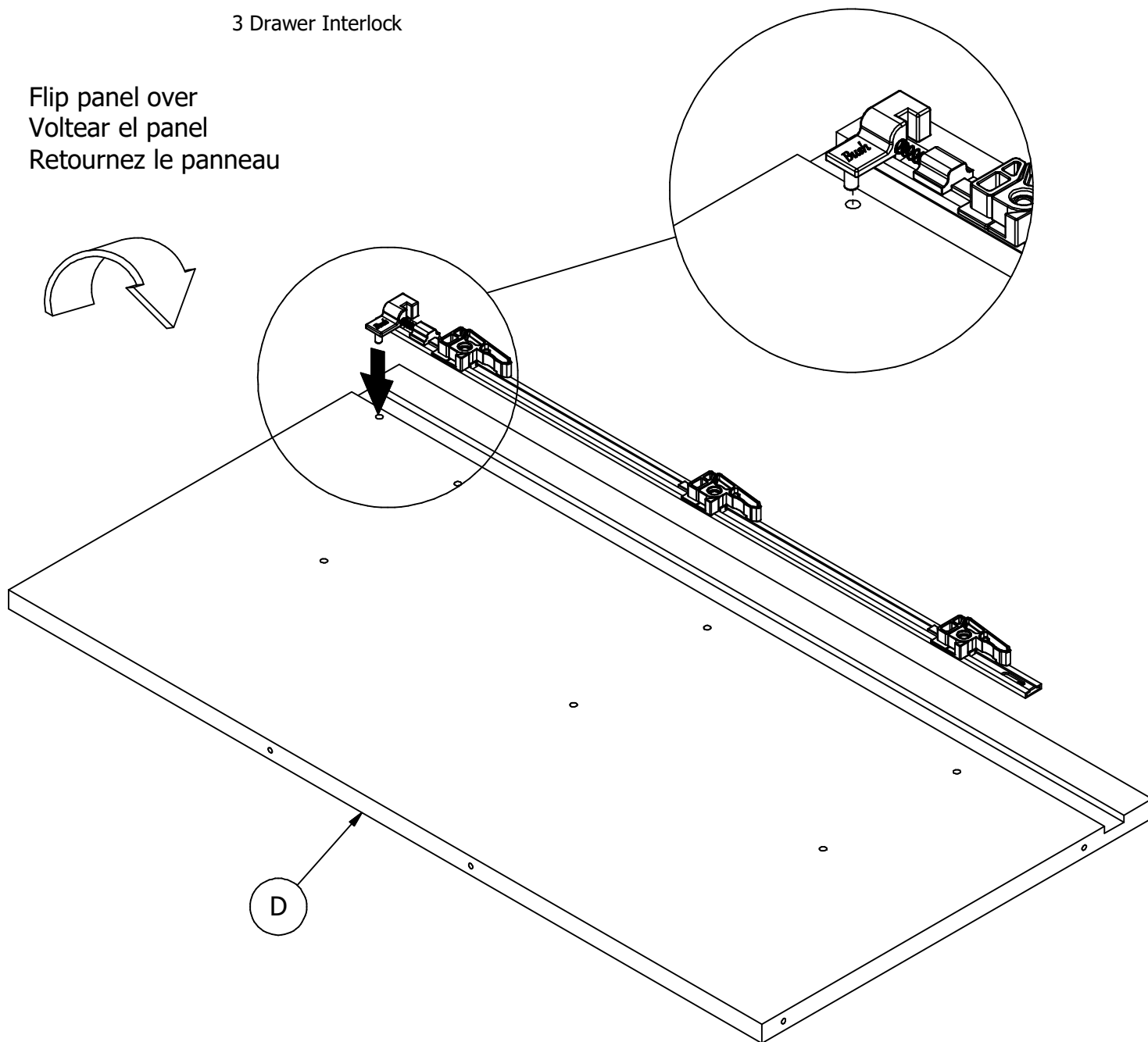
Have an assembly question or need a replacement part? Just call **1-800-950-4782**, we are here to help.

H192351

[1]

3 Drawer Interlock

Flip panel over
Voltear el panel
Retournez le panneau



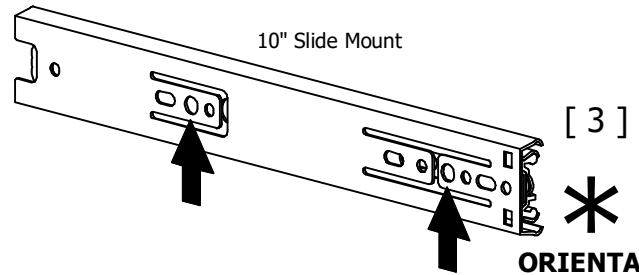
Have an assembly question or need a replacement part? Just call
1-800-950-4782, we are here to help.

Scan QR Code to Watch Video on:



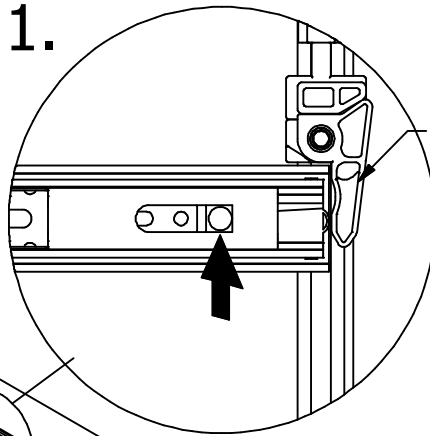
How to Separate and Install Drawer Slides

H192260 [6]
Euro 10mm



ORIENTATION
ORIENTACIÓN
ORIENTATION

1.

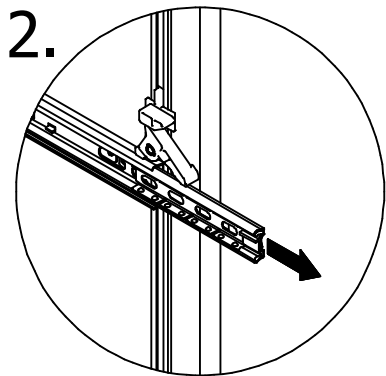


All levers closed.

Todas las palancas cerradas.

Tous les leviers sont fermés.

2.

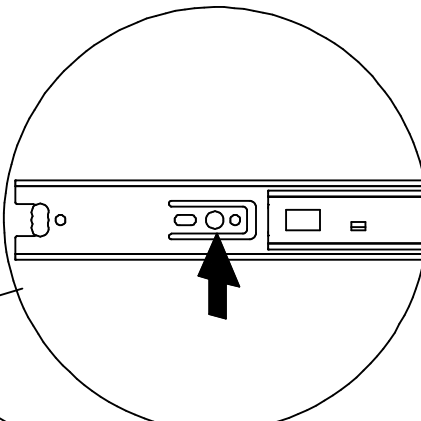


Push slide through lever.

Empuje la corredera a través de la palanca.

Poussez la glissière à travers le levier.

3.

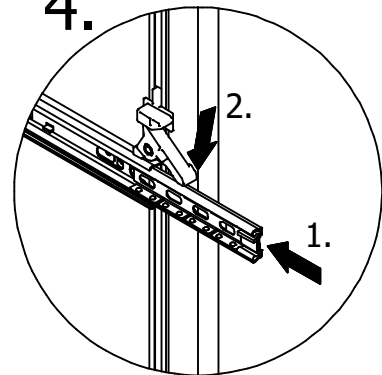


Install screw.

Instale el tornillo.

Installez la vis.

4.



Push slide in, close lever.

Empuje la corredera hacia adentro, cierre la palanca.

Poussez la glissière, fermez le levier.

5. Repeat 3x
Repetir 3x
Répétez 3x

Have an assembly question or need a replacement part? Just call **1-800-950-4782**, we are here to help.

STEP 16

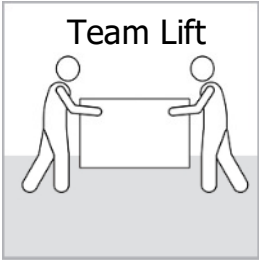
Assemble Panels

A184142E

Scan QR Code to Watch Video on:



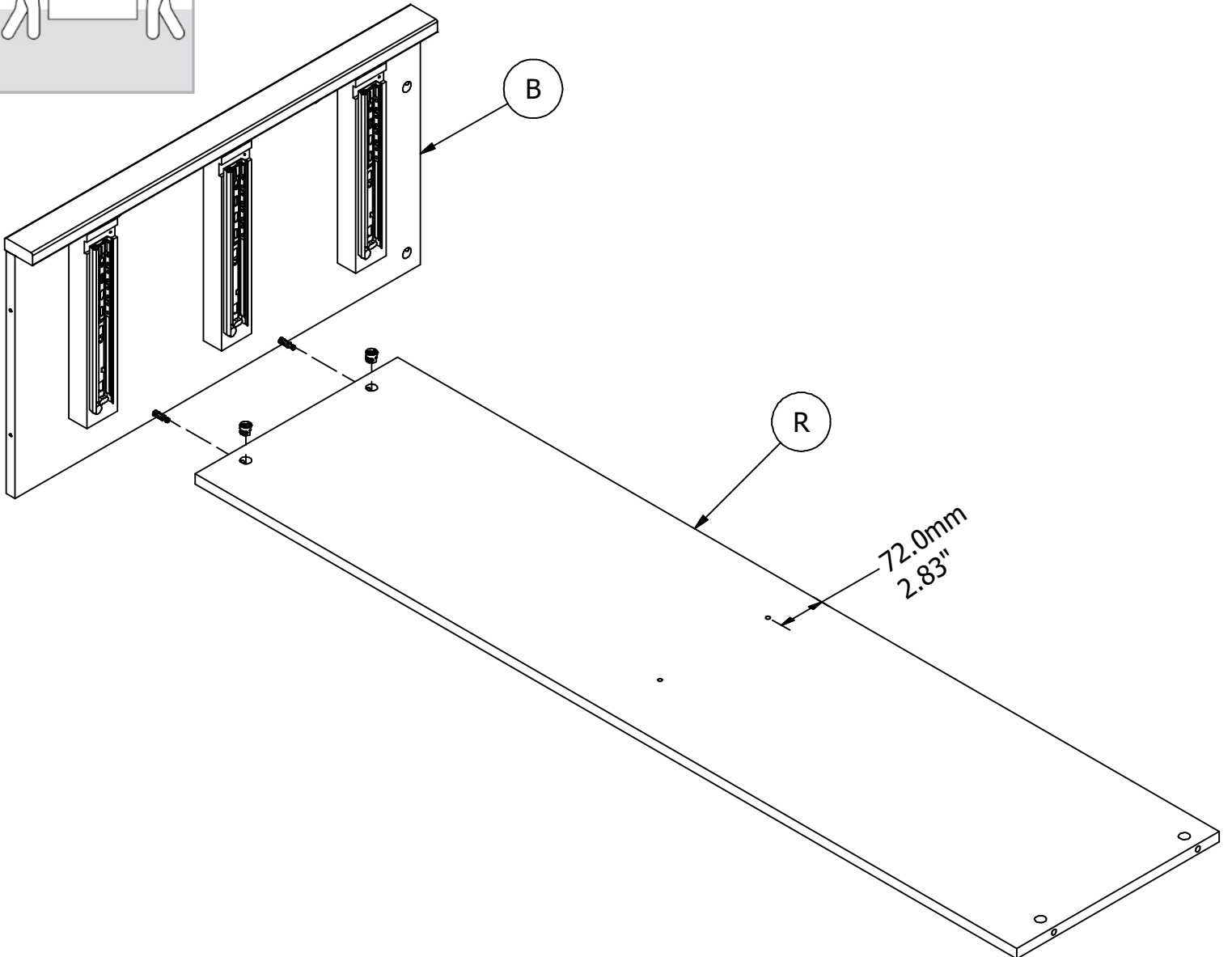
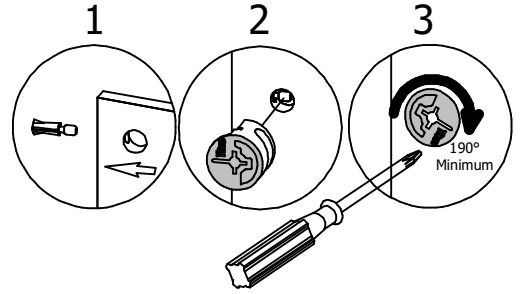
How to Tighten KD Cams



H181468US



[2]



Have an assembly question or need a replacement part? Just call **1-800-950-4782**, we are here to help.

STEP 17

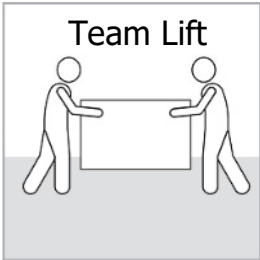
Assemble Panels

A184142E

Scan QR Code to
Watch Video on:



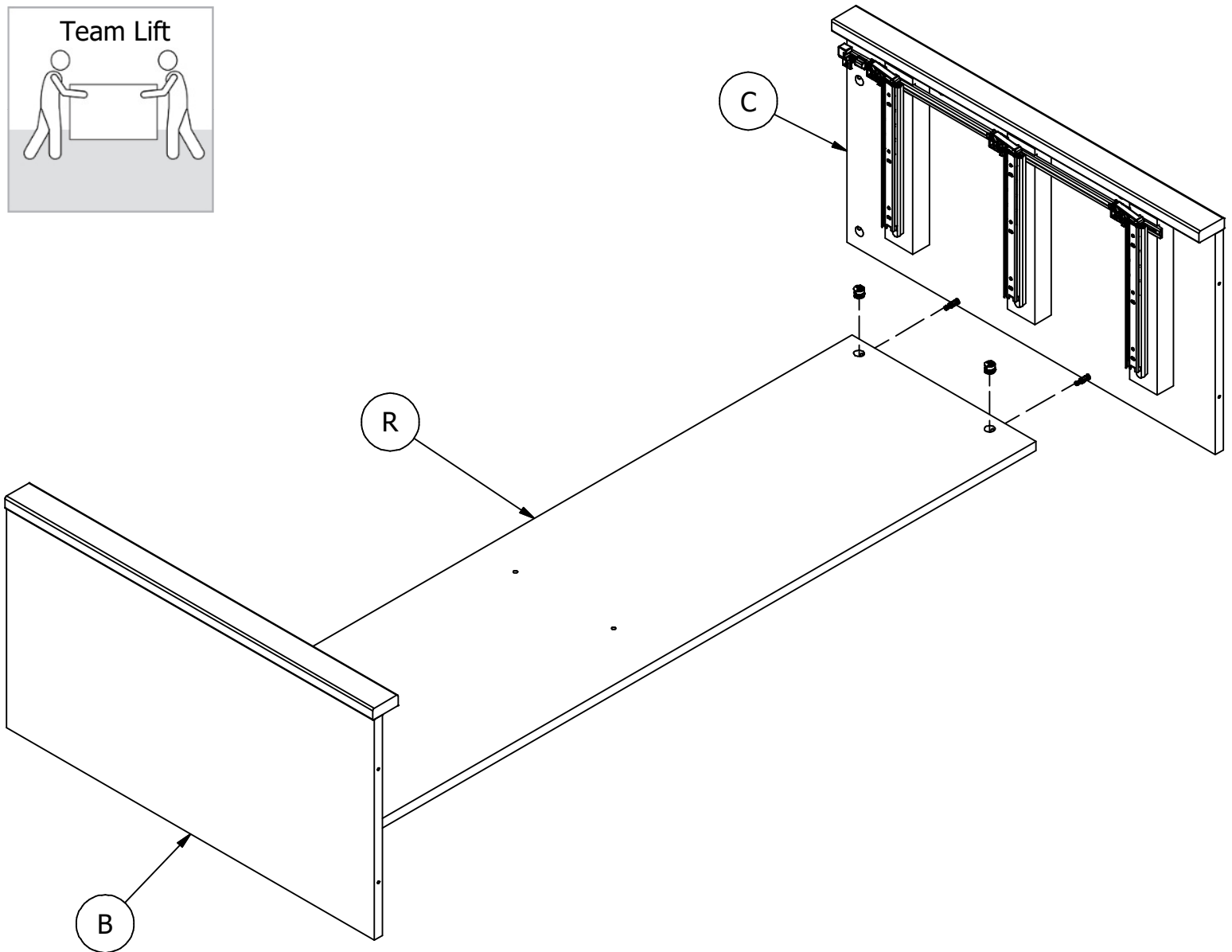
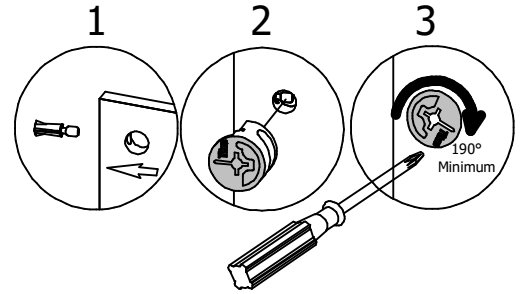
How to Tighten
KD Cams



H181468US



[2]

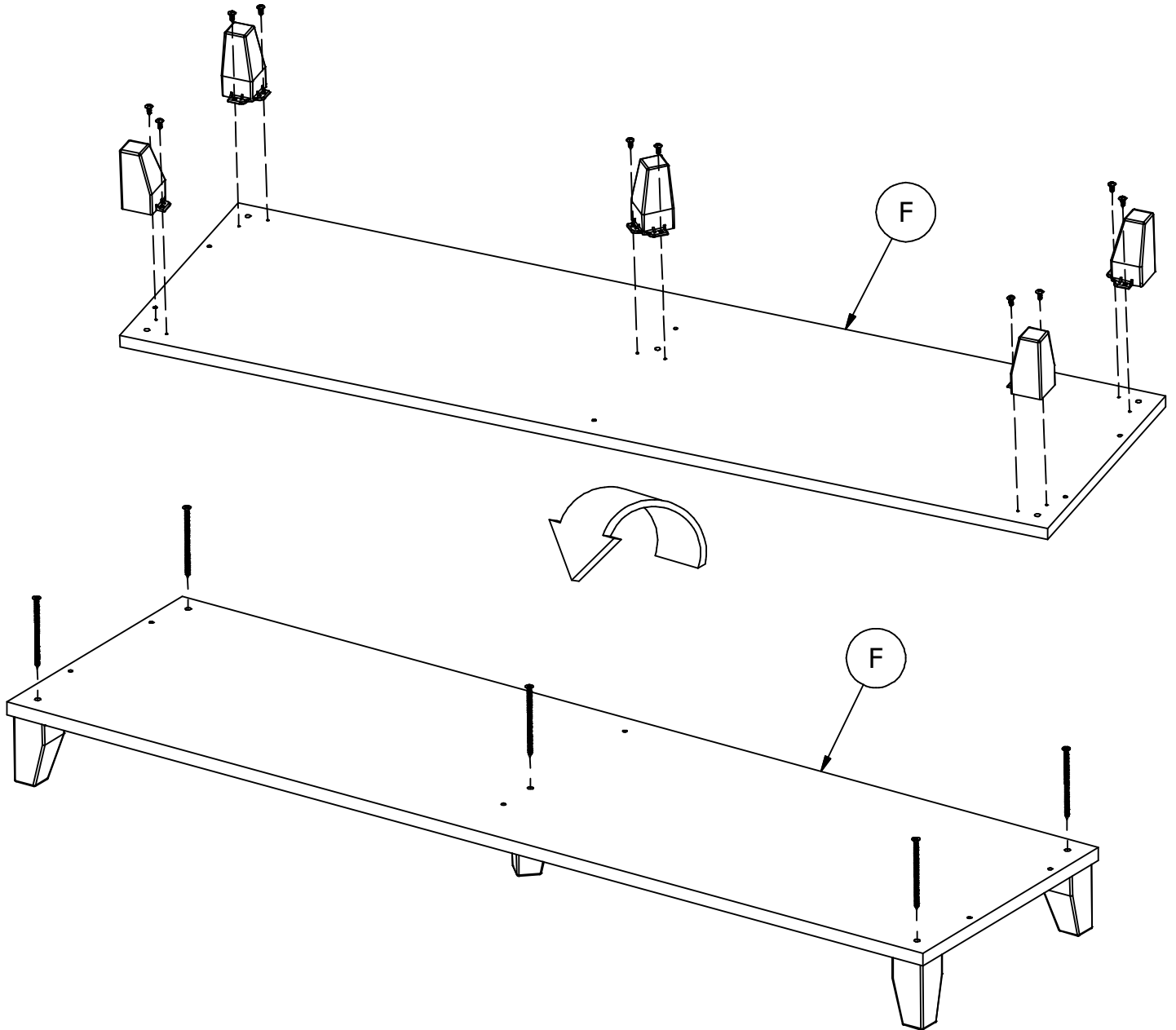
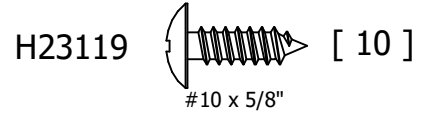
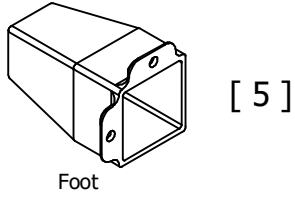
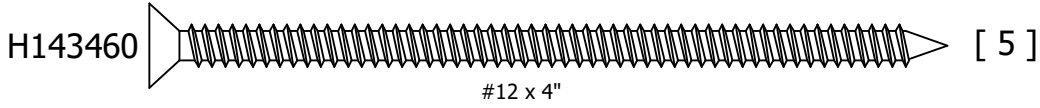


Have an assembly question or need a replacement part? Just call
1-800-950-4782, we are here to help.

STEP 18

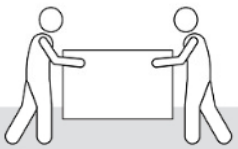
Prepare Panel

A184142E

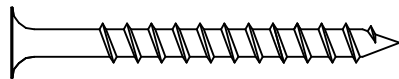


Have an assembly question or need a replacement part? Just call
1-800-950-4782, we are here to help.

Team Lift

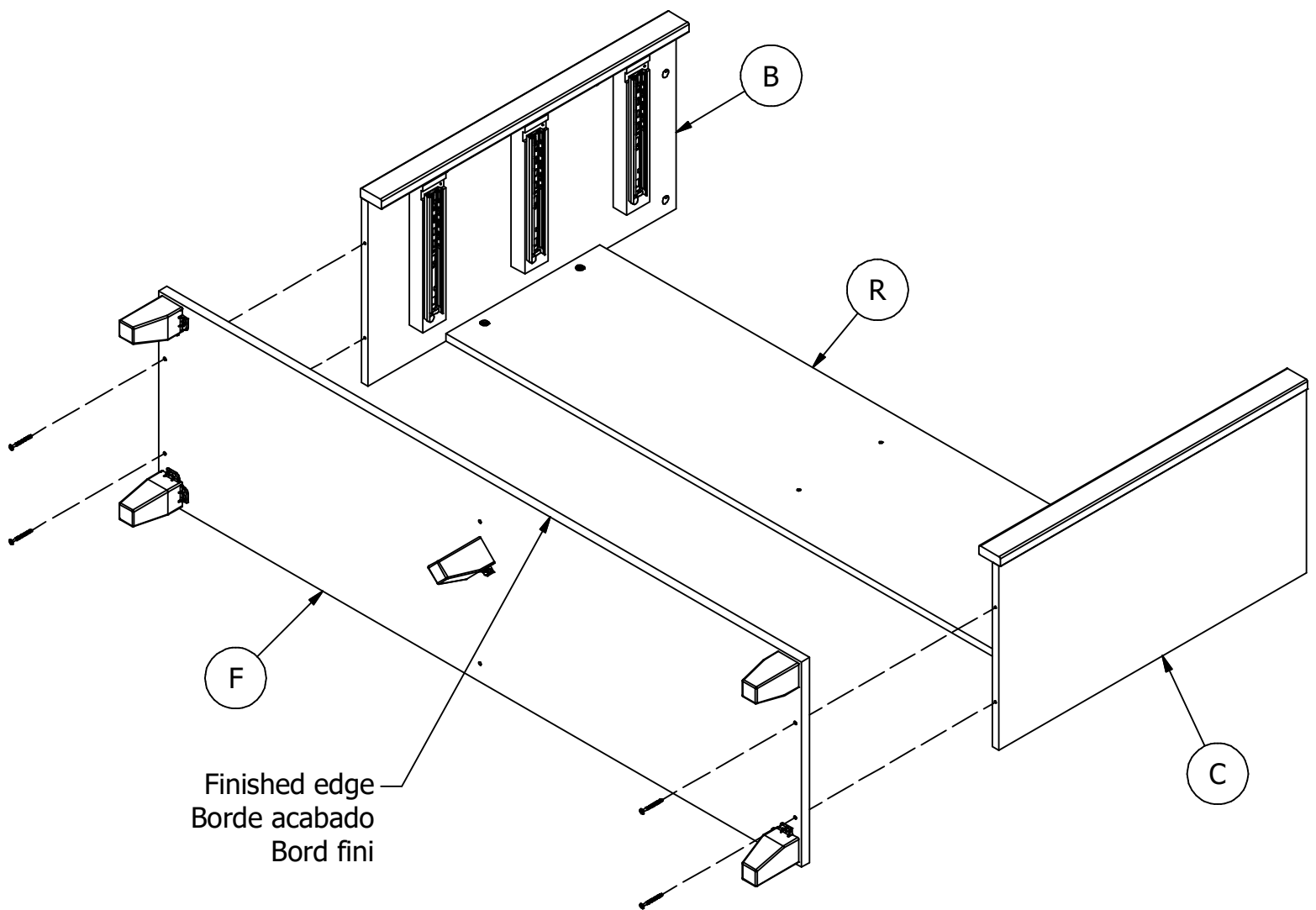


H23491

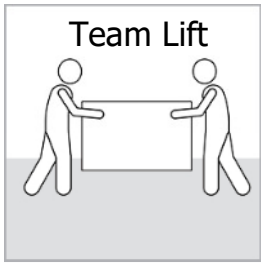


[4]

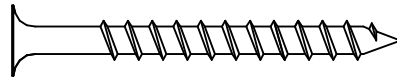
#10 x 2"



Have an assembly question or need a replacement part? Just call
1-800-950-4782, we are here to help.

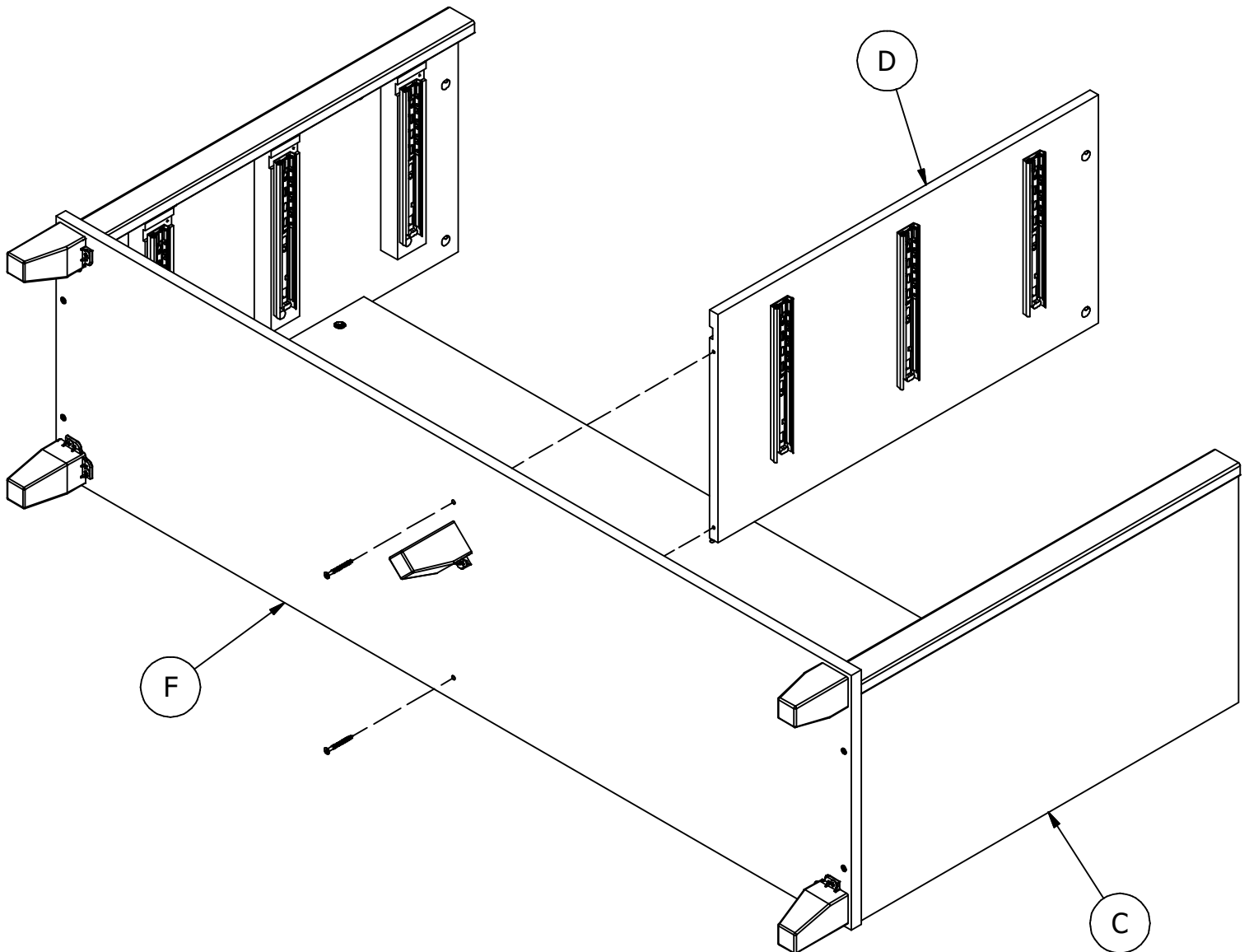


H23491



[2]

#10 x 2"



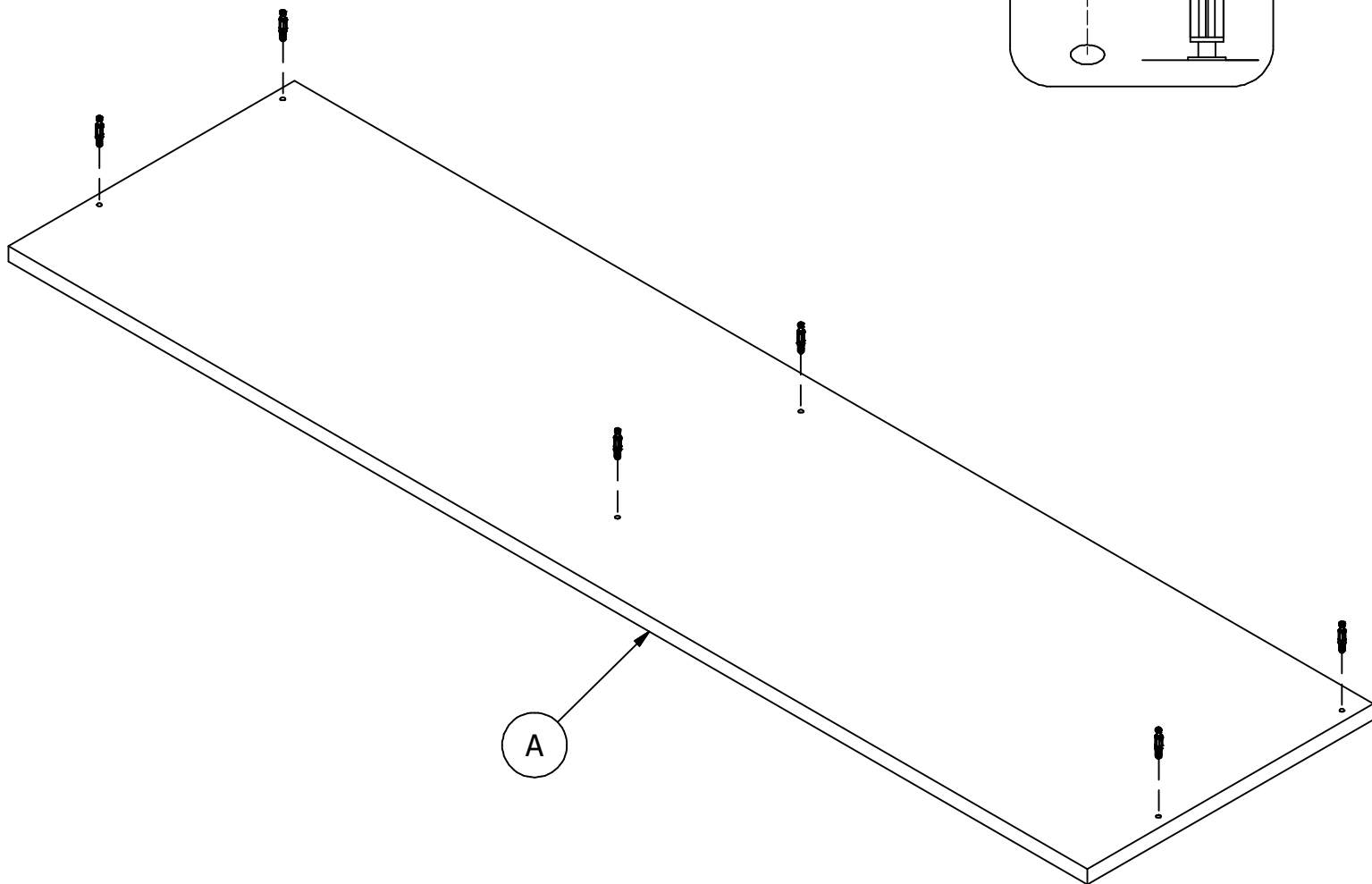
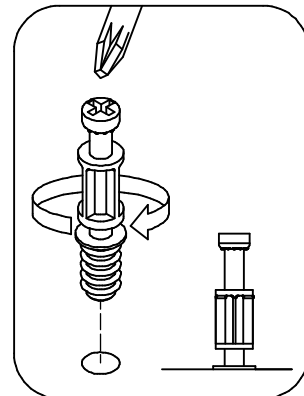
Have an assembly question or need a replacement part? Just call
1-800-950-4782, we are here to help.

STEP 21

Prepare Panel

A184142E

H72988 [6]
KD Bolt



Have an assembly question or need a replacement part? Just call
1-800-950-4782, we are here to help.

STEP 22

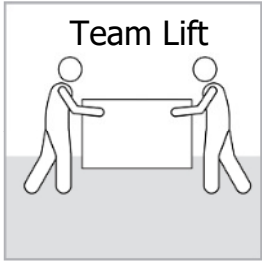
Assemble Panels

A184142E

Scan QR Code to Watch Video on:



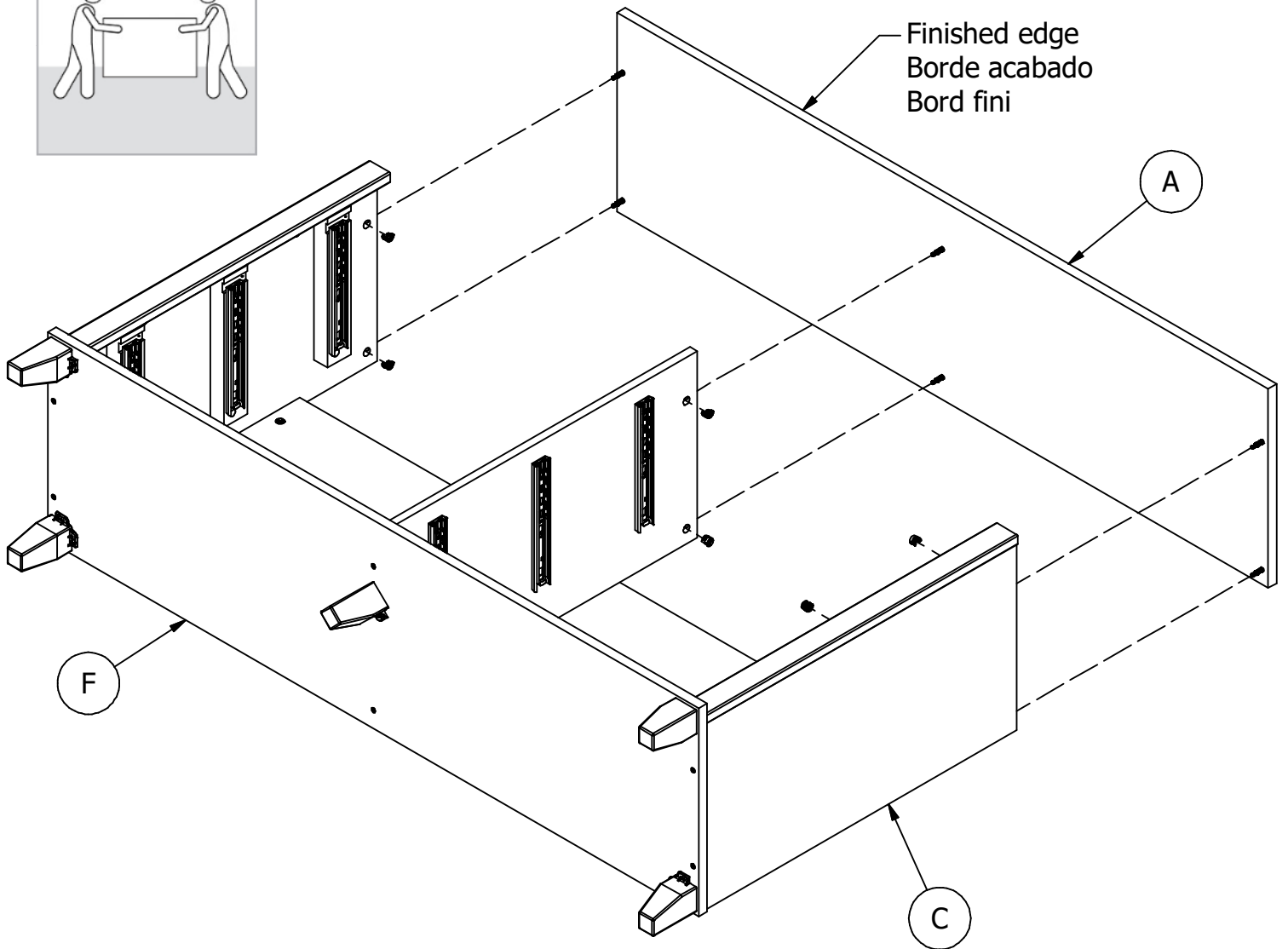
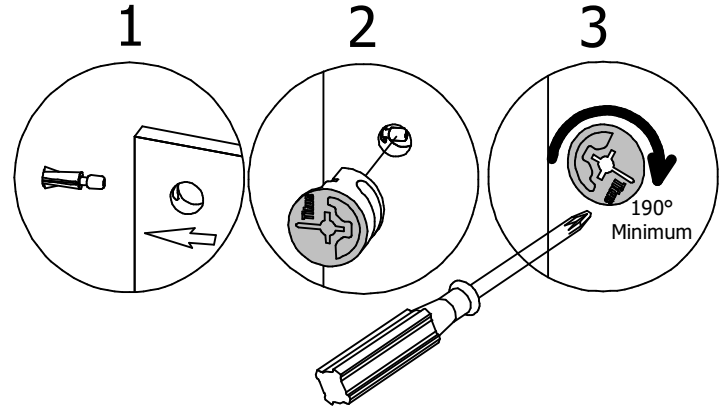
How to Tighten KD Cams



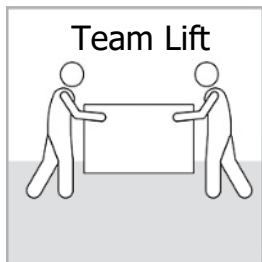
H181468US



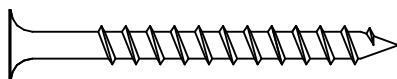
[6]



Have an assembly question or need a replacement part? Just call **1-800-950-4782**, we are here to help.



H23491



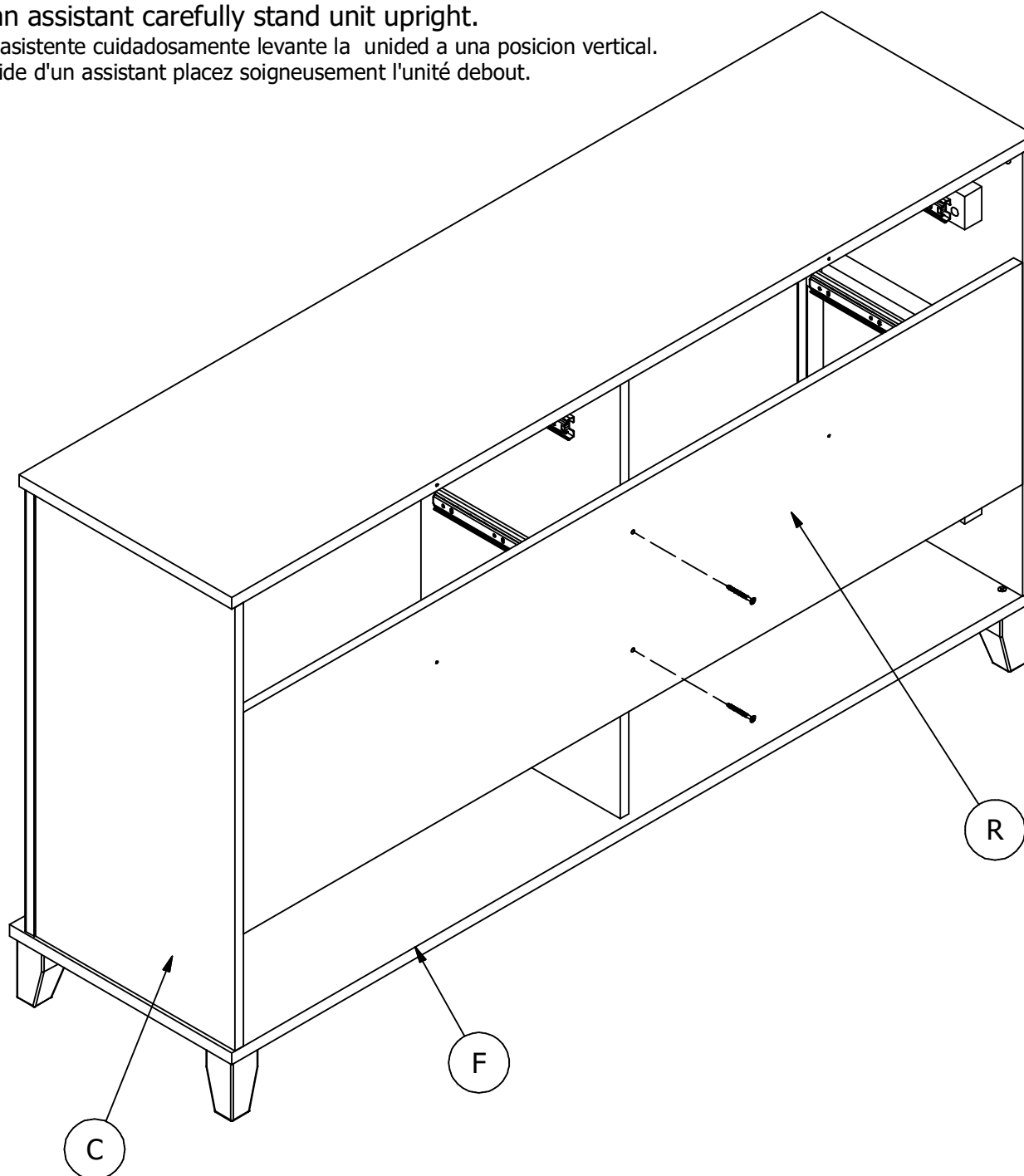
[2]

#10 x 2"

With an assistant carefully stand unit upright.

Con un asistente cuidadosamente levante la unidad a una posición vertical.

Avec l'aide d'un assistant placez soigneusement l'unité debout.

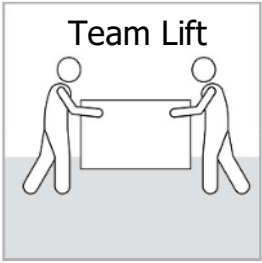


Have an assembly question or need a replacement part? Just call
1-800-950-4782, we are here to help.

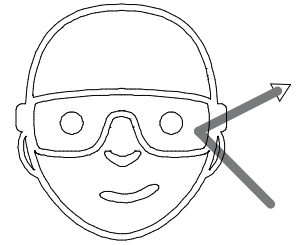
STEP 24

Assemble Panels

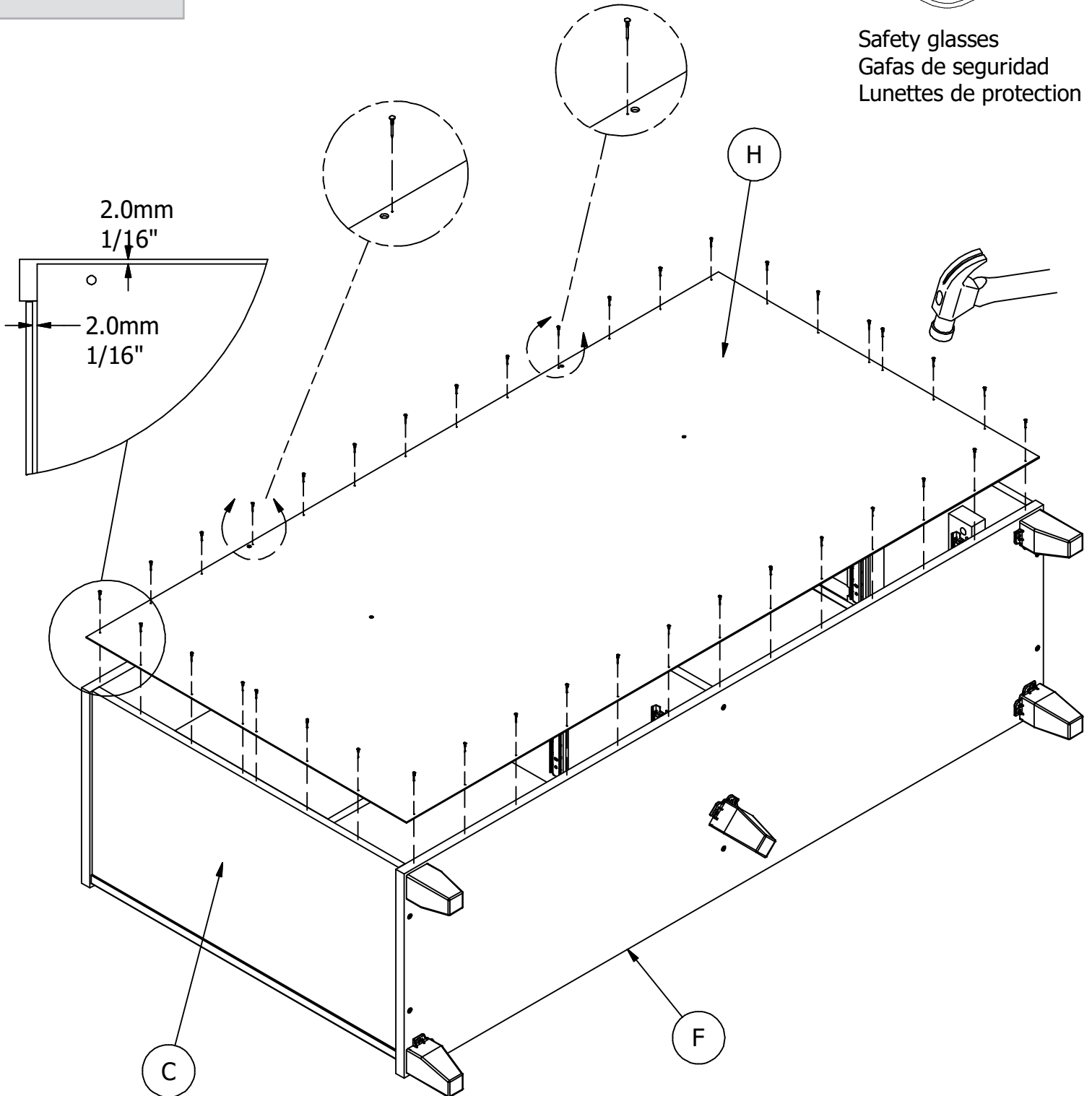
A184142E



H34174 [38]
Nail 19mm



Safety glasses
Gafas de seguridad
Lunettes de protection



Have an assembly question or need a replacement part? Just call
1-800-950-4782, we are here to help.

FOLLOW THESE STEPS TO SECURE UNIT TO THE WALL USING TIPOVER RESTRAINT

SIGA ESTOS PASOS PARA FIJAR LA UNIDAD A LA PARED UTILIZANDO LA PUNTA SOBRE EL SEGURO
SUIVEZ CES ÉTAPES POUR SÉCURISER L'APPAREIL AU MUR EN UTILISANT LA PRISE DE RETENUE

TIPOVER RESTRAINT MAY BE PLACED OFF CENTER TO ALLOW FOR MIRROR INSTALLATION

EL SOPORTE TIPOVER PUEDE SER COLOCADO EN EL CENTRO PARA PERMITIR LA INSTALACION DEL ESPEJO
LA RESTRICTION TIPOVER PEUT ÊTRE PLACÉE SUR LE CENTRE PERMANENT POUR L'INSTALLATION DU MIROIR

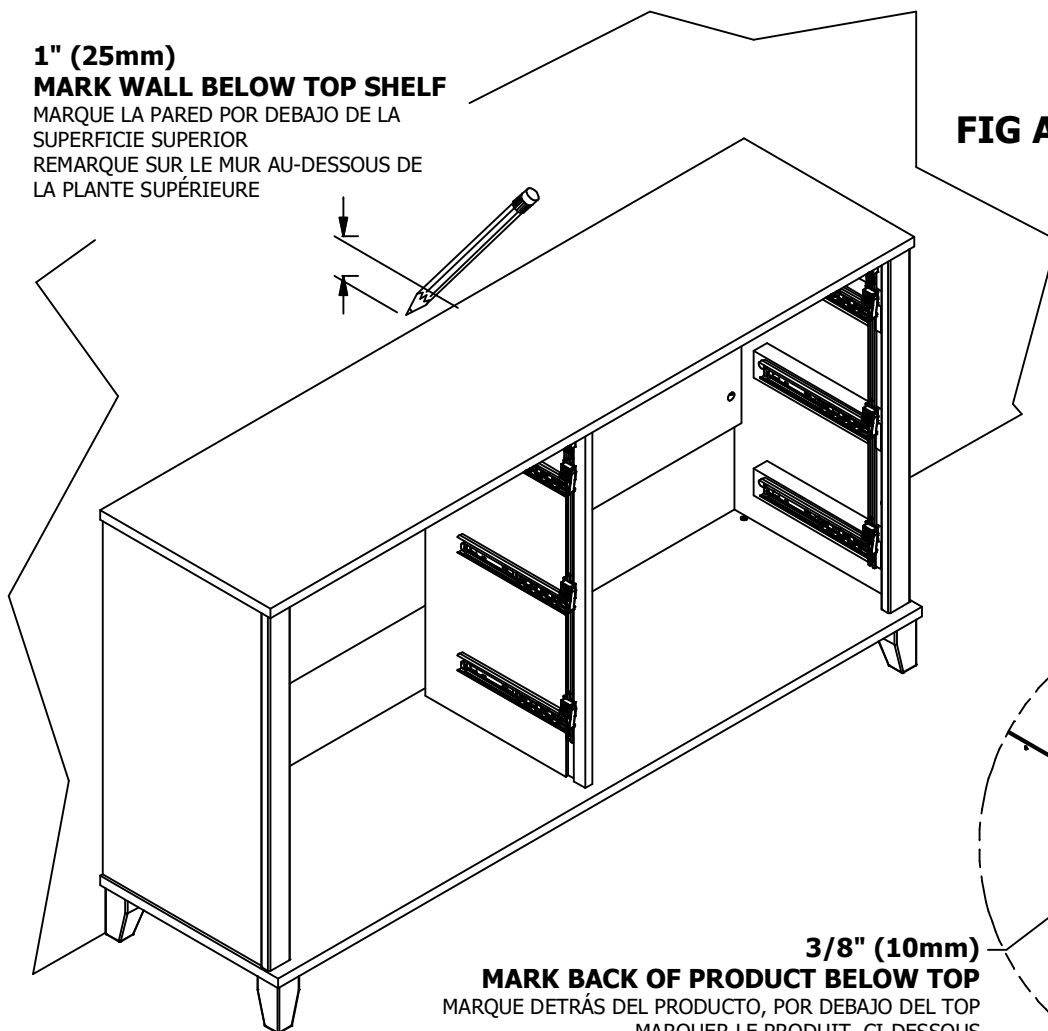
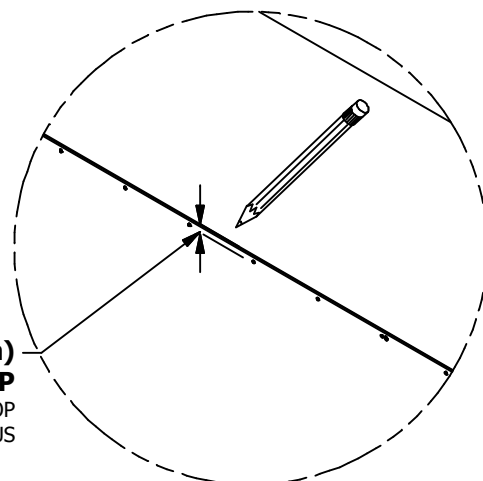
1. Place unit in desired location.
2. Locate wall stud nearest unit center. FIG A
3. On wall, mark center of stud location 1" below top of unit. FIG A
4. If a wall stud cannot be located mark hollow wall at unit center. FIG A
5. On back of unit, mark corresponding location 3/8" below top of unit. FIG B

1. Coloque la unidad en el lugar deseado.
2. Localice pie derecho de pared centro de unidad más próxima.
3. En la pared del, marque el centro de la ubicación del montante 1 "abajo la parte superior de la unidad.
4. Si un poste de la pared no se puede localizar marcar pared hueca en el centro de la unidad.
5. En el dorso de la unidad, marque la ubicación 3/8 correspondiente abajo la parte superior de la unidad.

1. Placez l'unité à l'endroit désiré.
2. Localiser centre d'unité la plus proche de la paroi Stud.
3. Sur le mur, centre de emplacement du montant 1 "ci-dessous dessus de l'appareil de la marque.
4. Si un montant de mur ne peut pas être situé marquer mur creux au centre de l'unité.
5. Le dos de l'appareil, marquer l'emplacement 3/8 correspondant ci-dessous dessus de l'appareil.

1" (25mm)**MARK WALL BELOW TOP SHELF**

MARQUE LA PARED POR DEBAJO DE LA SUPERFICIE SUPERIOR
REMARQUE SUR LE MUR AU-DESSOUS DE LA PLANTE SUPÉRIEURE

FIG A**FIG B****3/8" (10mm)**

MARK BACK OF PRODUCT BELOW TOP
MARQUE DETRÁS DEL PRODUCTO, POR DEBAJO DEL TOP
MARQUER LE PRODUIT, CI-DESSOUS

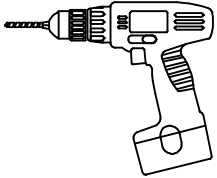
Have an assembly question or need a replacement part? Just call
1-800-950-4782, we are here to help.

WALL STUD ATTACHMENT

ADJUNTO COLUMNA DE PARED
FIXATION MUR GOUJON

DRILL 1/8" HOLE 2" DEEP AT MARK ON WALL.

TALADRO 1/8 "AGUJERO 2" DE PROFUNDIDAD EN LA MARCA EN LA PARED.
PERCER 1/8 "TROU DE 2" DE PROFONDEUR À LA MARQUE SUR LE MUR.



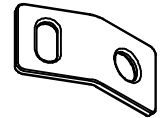
H181434



#10 x 2"

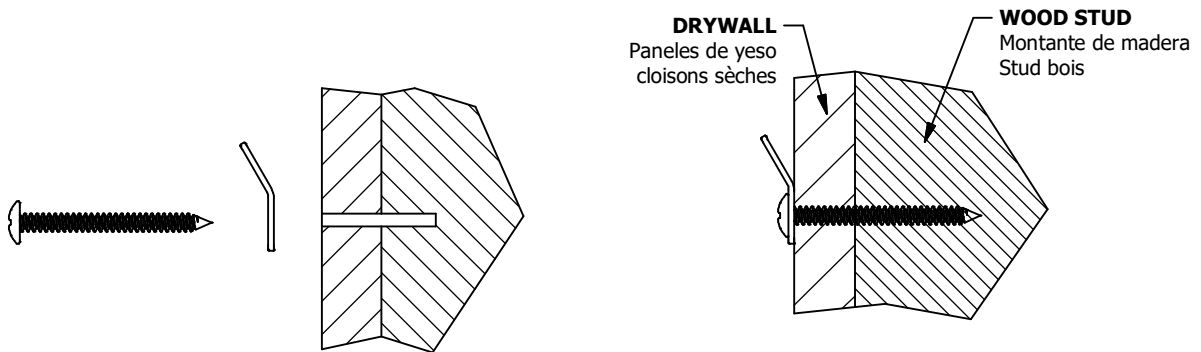
[1]

H181412



[1]

Connecting Plate

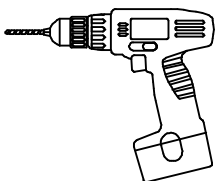


HOLLOW WALL ATTACHMENT

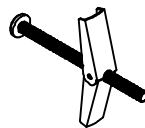
ADJUNTO PARED HUECA
ANNEXE CREUX WALL

DRILL 1/2" HOLE 1" DEEP AT MARK ON WALL.

TALADRO 1/2" AGUJERO 1" DE PROFUNDIDAD EN LA MARCA EN LA PARED.
PERCER 1/2" TROU DE 1" DE PROFONDEUR À LA MARQUE SUR LE MUR.



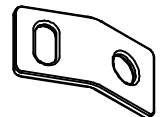
H181419



Toggle Bolt

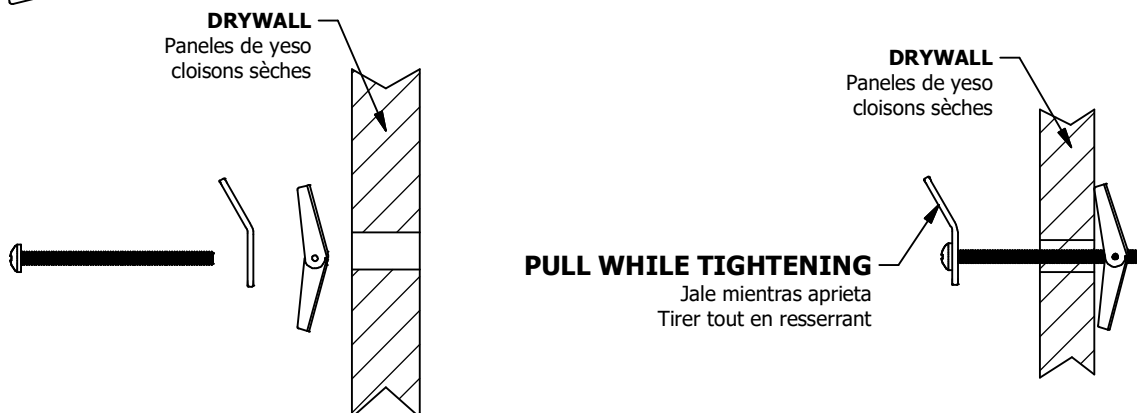
[1]

H181412



[1]

Connecting Plate



Have an assembly question or need a replacement part? Just call
1-800-950-4782, we are here to help.

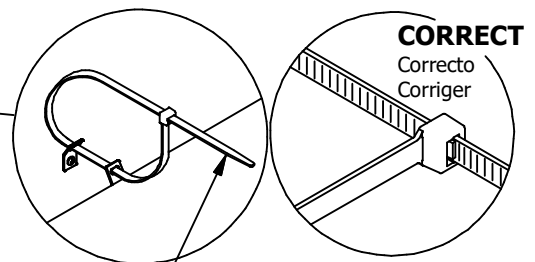
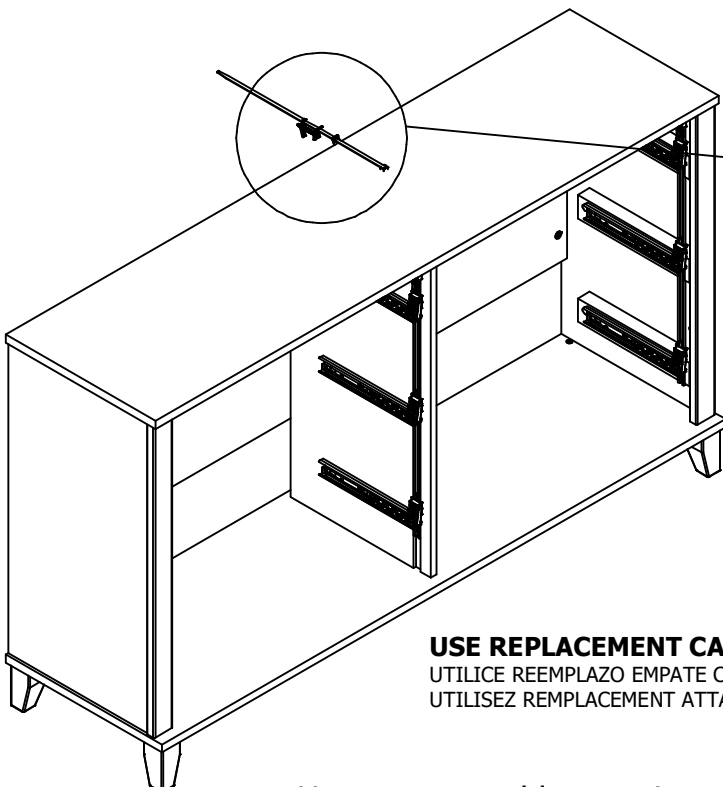
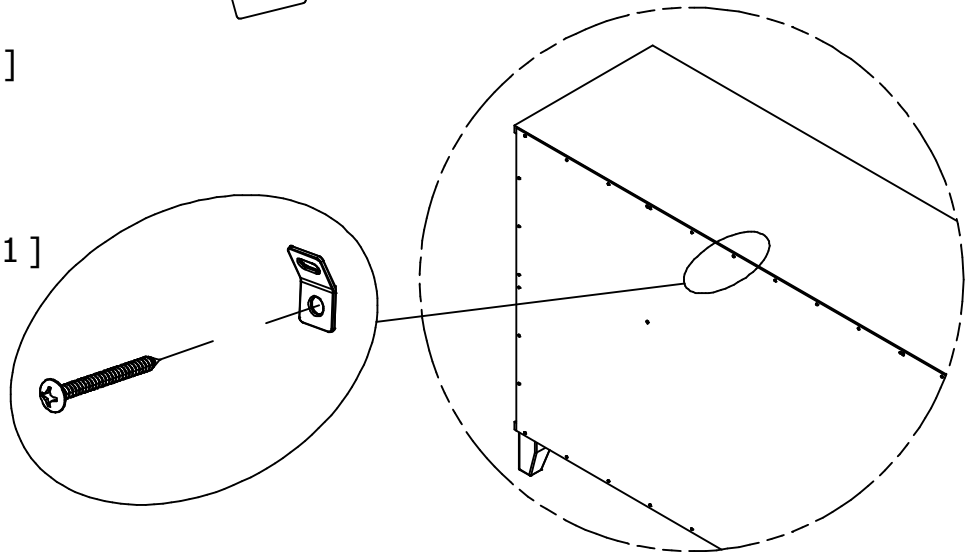
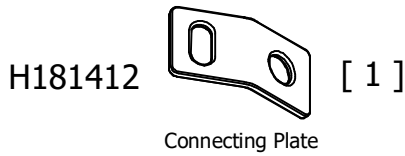
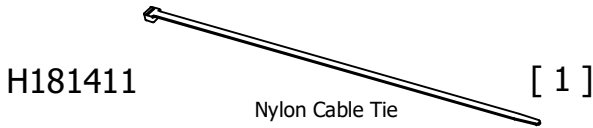
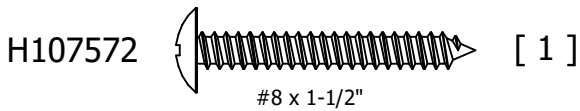
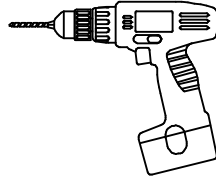
ATTACH TIPOVER RESTRAINT TO PRODUCT

CONECTAR A PRODUCTOS DE RETENCIÓN VUELCO
 CONSEIL DE FIXER RETENUE SUR LE PRODUIT

TIPOVER RESTRAINT MAY BE PLACED OFF CENTER TO ALLOW FOR MIRROR INSTALLATION

EL SOPORTE TIPOVER PUEDE SER COLOCADO EN EL CENTRO PARA PERMITIR LA INSTALACION DEL ESPEJO
 LA RESTRICTION TIPOVER PEUT ÊTRE PLACÉE SUR LE CENTRE PERMANENT POUR L'INSTALLATION DU MIROIR

Drill 1/8" hole 1" deep at mark on unit.
 Taladro 1/8 "agujero de 1" de profundidad en la marca de la unidad.
 Percer 1/8 "trou 1" de profondeur à la marque sur l'unité.

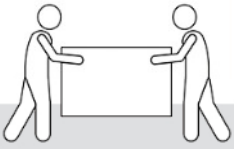


PULL TO VERIFY LOCK
 Tire para verificar cerradura
 Tirez pour vérifier serrure

USE REPLACEMENT CABLE TIE WITH MINIMUM BREAKING STRENGTH OF 120LBS.
 UTILICE REEMPLAZO EMPATE CABLE CON RESISTENCIA A LA ROTURA MÍNIMA DE 120 LIBRAS.
 UTILISEZ REMPLACEMENT ATTACHE DE CÂBLE AVEC UNE FORCE DE RUPTURE MINIMALE DE 120 LBS.

Have an assembly question or need a replacement part? Just call
1-800-950-4782, we are here to help.

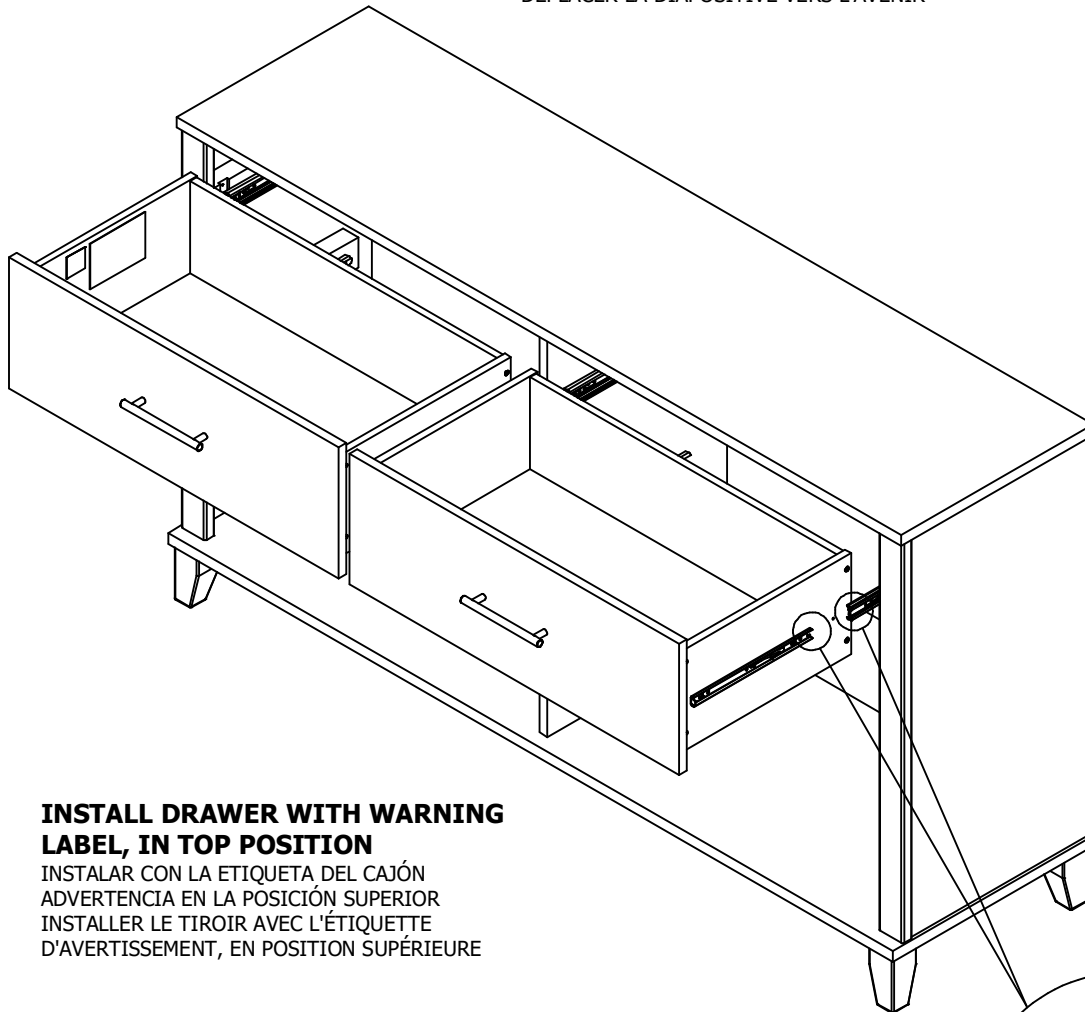
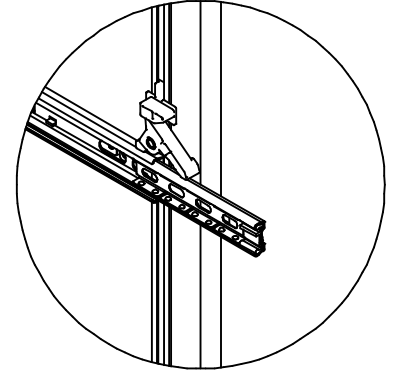
Team Lift

**TOP DRAWER INSTALLATION**

INSTALACION DEL TIRADOR SUPERIOR
INSTALLATION DE TIROIR

1.

MOVE SLIDE TO FORWARD MOST POSITION
MOVER DIAPOSITIVA HACIA ADELANTE MÁS POSICIÓN
DÉPLACER LA DIAPOSITIVE VERS L'AVENIR

**INSTALL DRAWER WITH WARNING LABEL, IN TOP POSITION**

INSTALAR CON LA ETIQUETA DEL CAJÓN
ADVERTENCIA EN LA POSICIÓN SUPERIOR
INSTALLER LE TIROIR AVEC L'ÉTIQUETTE
D'AVERTISSEMENT, EN POSITION SUPÉRIEURE

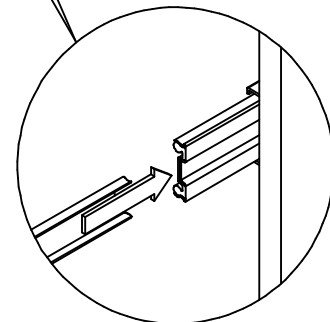
BOTH RIGHT AND LEFT SIDES

AMBOS LADOS DERECHO E IZQUIERDO
LES DIFFERENTS ET GAUTS

2.

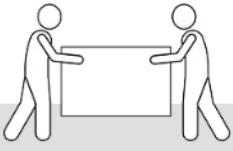
INSERT DRAWER, CAREFULLY POSITION SLIDE RUNNER INTO MOUNT. OPEN AND CLOSE TO CHECK DRAWER FUNCTION.

INSERT CAJÓN, DESLICE CON CUIDADO POSICIÓN EN MONTAJE CORREDOR. SE ABREN Y
CIERRAN PARA CONTROLAR LA FUNCIÓN CAJÓN.
INSERT TIROIR SLIDE RUNNER EN ATTENTIVEMENT POSITION MONT. OUVERT ET
PROCHE DE LA FONCTION DE VOIR TIROIR.



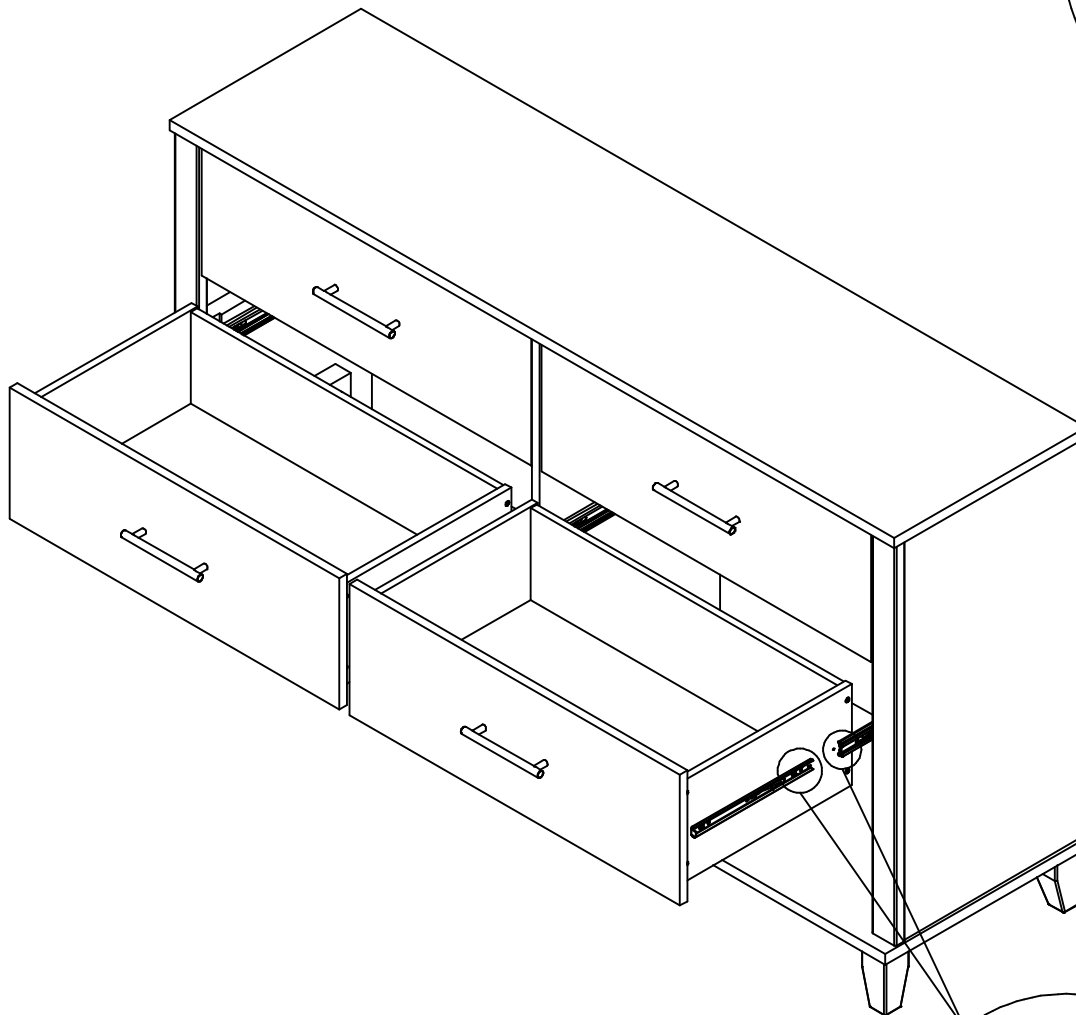
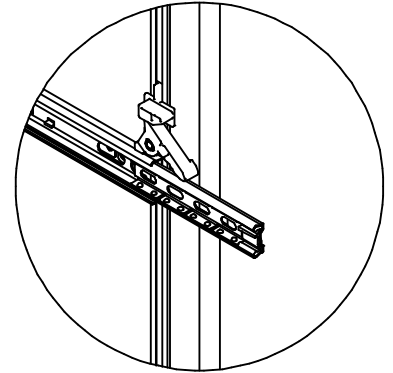
Have an assembly question or need a replacement part? Just call
1-800-950-4782, we are here to help.

Team Lift

**MIDDLE DRAWER INSTALLATION**

SEGUNDA INSTALACIÓN DEL CAJÓN
DEUXIÈME INSTALLATION DE TIROIR

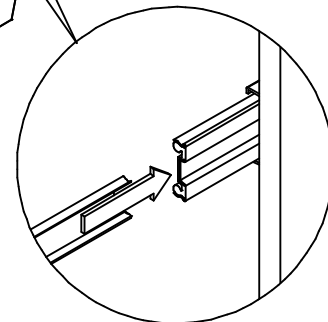
1. **CLOSE ALL DRAWERS**
CERRAR TODOS LOS CAJONES
PROCHE TOUTES LES TIROIRS
2. **MOVE SLIDE TO FORWARD MOST POSITION**
MOVER DIAPOSITIVA HACIA ADELANTE MÁS POSICIÓN
DÉPLACER LA DIAPOSITIVE VERS L'AVENIR



BOTH RIGHT AND LEFT SIDES
AMBOS LADOS DERECHO E IZQUIERDO
LES DIFFERENTS ET GAUTS

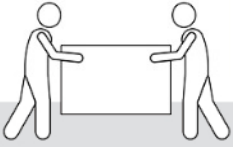
3. **INSERT DRAWER, CAREFULLY POSITION SLIDE RUNNER INTO MOUNT. OPEN AND CLOSE TO CHECK DRAWER FUNCTION.**

INSERT CAJÓN, DESLICE CON CUIDADO POSICIÓN EN MONTAJE CORREDOR. SE ABREN Y CIERRAN PARA CONTROLAR LA FUNCIÓN CAJÓN.
INSERT TIROIR SLIDE RUNNER EN ATTENTIVEMENT POSITION MONT. OUVERT ET PROCHE DE LA FONCTION DE VOIR TIROIR.



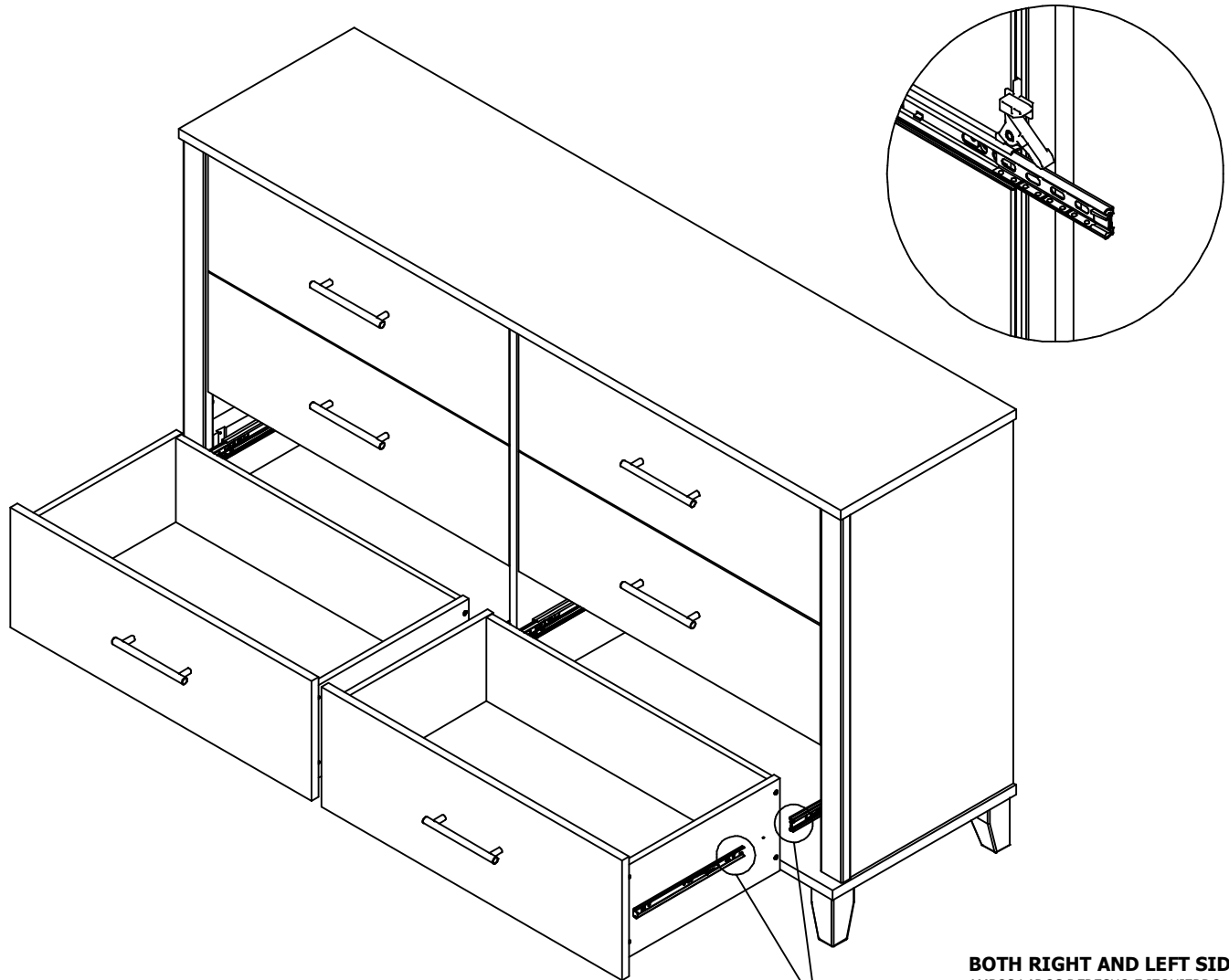
Have an assembly question or need a replacement part? Just call
1-800-950-4782, we are here to help.

Team Lift

**BOTTOM DRAWER INSTALLATION**

INSTALACIÓN FONDO DE CAJÓN
BAS INSTALLATION DE TIROIR

1. **CLOSE ALL DRAWERS**
CERRAR TODOS LOS CAJONES
PROCHE TOUTES LES TIROIRS
2. **MOVE SLIDE TO FORWARD MOST POSITION**
MOVER DIAPOSITIVA HACIA ADELANTE MÁS POSICIÓN
DÉPLACER LA DIAPOSITIVE VERS L'AVENIR

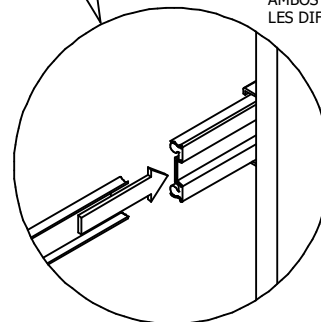


BOTH RIGHT AND LEFT SIDES
AMBOS LADOS DERECHO E IZQUIERDO
LES DIFFERENTS ET GAUTS

3. **INSERT DRAWER, CAREFULLY POSITION SLIDE RUNNER INTO MOUNT. OPEN AND CLOSE TO CHECK DRAWER FUNCTION.**

INSERT CAJÓN, DESLICE CON CUIDADO POSICIÓN EN MONTAJE CORREDOR. SE ABREN Y CIERRAN PARA CONTROLAR LA FUNCIÓN CAJÓN.

INSERT TIROIR SLIDE RUNNER EN ATTENTIVEMENT POSITION MONT. OUVERT ET PROCHE DE LA FONCTION DE VOIR TIROIR.



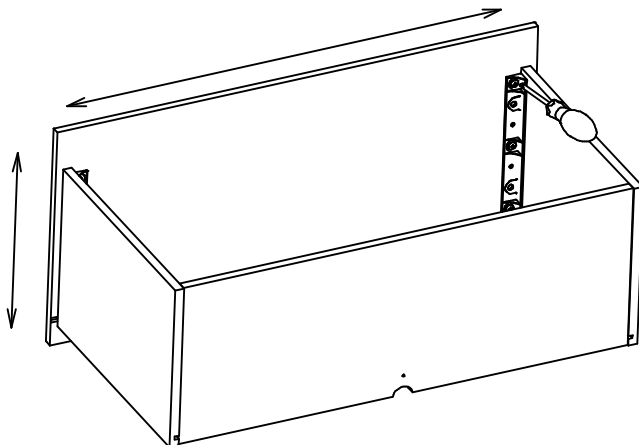
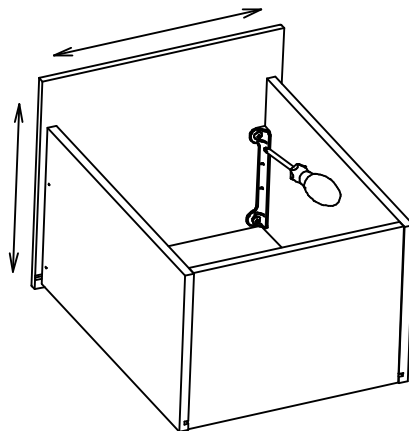
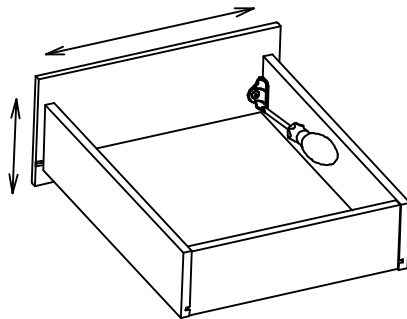
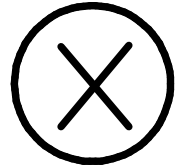
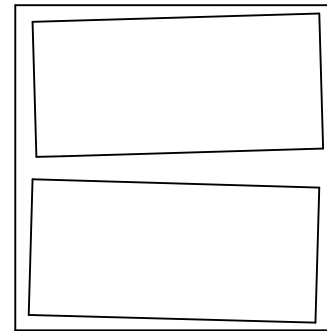
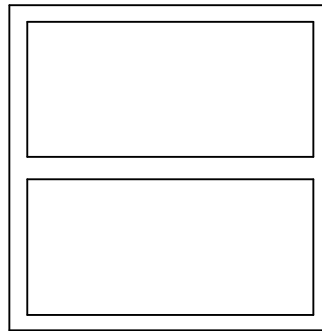
Have an assembly question or need a replacement part? Just call
1-800-950-4782, we are here to help.

Scan QR Code to Watch Video on:



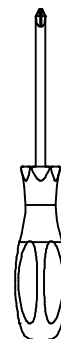
How to Adjust Drawer Fronts

DRAWER FRONT VIEW



REQUIRED TOOL: PHILLIPS SCREWDRIVER

HERRAMIENTA REQUERIDA: DESTORNILLADOR PHILLIPS
 OUTIL REQUIS: TOURNEVIS CRUCIFORME



1. LOOSEN SCREWS.
2. ADJUST DRAWER FRONTS.
3. TIGHTEN SCREWS.

1. Afloje los tornillos
2. Ajustar frentes de cajón
3. Apriete los tornillos

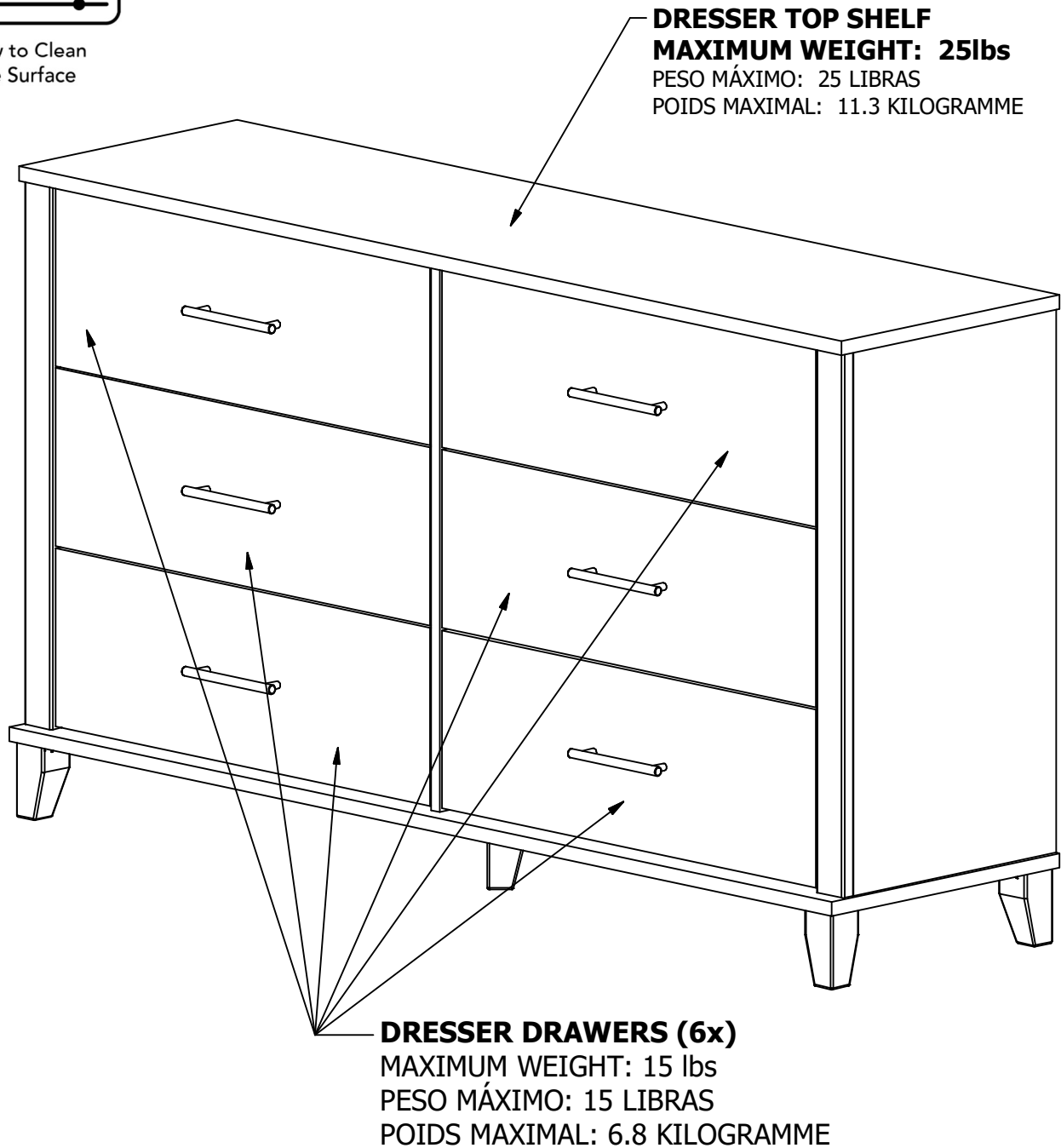
1. Desserrer les vis
2. Ajuster les façades des tiroirs
3. Serrer les vis

Have an assembly question or need a replacement part? Just call
1-800-950-4782, we are here to help.

Scan QR Code to
Watch Video on:



Gently clean surfaces with a damp sponge eraser.



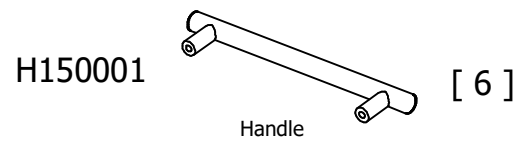
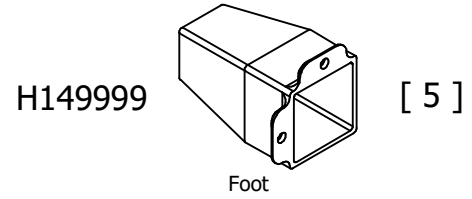
Congratulations! You are all done. If you have any questions or concerns, please call.

Have an assembly question or need a replacement part? Just call
1-800-950-4782, we are here to help.

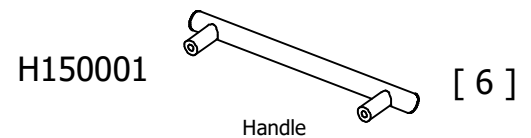
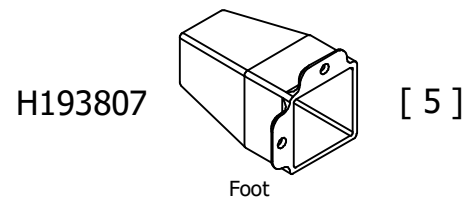
PARTS LIST

A184142E

STS160AGD		
LABEL CODE	PART NUMBER	QTY
A	W214677	1
B	W214678	1
C	W214679	1
D	W214680	1
E	W214849	2
F	W214681	1
G	W197138	6
H	W193806	1
J	W192869	6
L	W192210	12
N	W196595	6
P	W184158	6
R	W214676	1

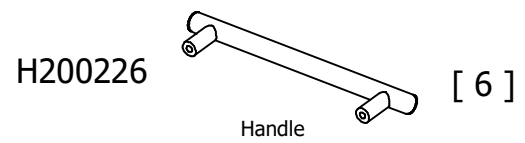
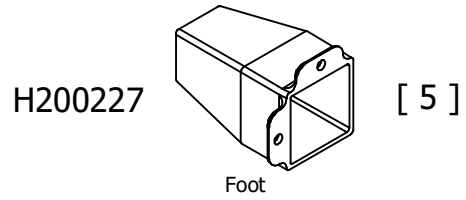


STS160SGD		
LABEL CODE	PART NUMBER	QTY
A	W214682	1
B	W214683	1
C	W214684	1
D	W214685	1
E	W214852	2
F	W214686	1
G	W196232	6
H	W193806	1
J	W192869	6
L	W192210	12
N	W196595	6
P	W184158	6
R	W214676	1



Have an assembly question or need a replacement part? Just call
1-800-950-4782, we are here to help.

STS160FWD		
LABEL CODE	PART NUMBER	QTY
A	W214687	1
B	W214688	1
C	W214689	1
D	W214690	1
E	W214850	2
F	W214691	1
G	W206280	6
H	W193806	1
J	W192869	6
L	W192210	12
N	W196595	6
P	W184158	6
R	W214676	1



STS160PGD		
LABEL CODE	PART NUMBER	QTY
A	W214692	1
B	W214693	1
C	W214694	1
D	W214695	1
E	W214851	2
F	W214696	1
G	W206287	6
H	W193806	1
J	W192869	6
L	W192210	12
N	W196595	6
P	W184158	6
R	W214676	1

