

ASSEMBLY INSTRUCTION

Item# 5750-75200B-MWD 88in Trestle Dining Table Base
 5750-75200T-MWD 88in Trestle Dining Table Top w/1-20in
 Leaf

** Please make sure you have all parts indicated below prior to assembly.
 This table is heavy and can best be assembled with the help of two or more people.

NO.	HARDWARE LIST		Q'TY
A		ALLEN WRENCH	1
B		$\frac{5}{16}$ "*90mm BOLT	2
C		$\frac{5}{16}$ " LOCK WASHER	14
D		$\frac{5}{16}$ " FLAT WASHER	14
E		$\frac{5}{16}$ "*45mm BOLT	12

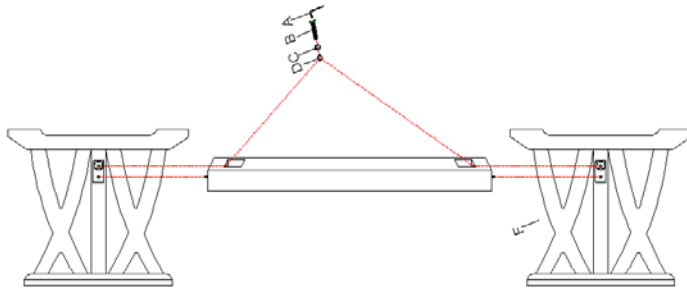
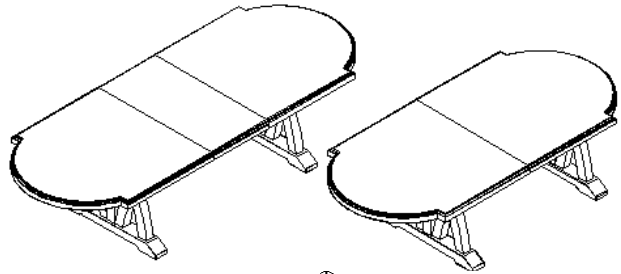


Diagram 1

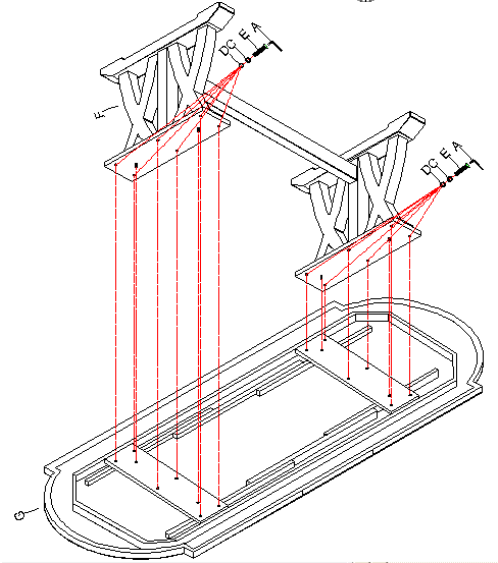


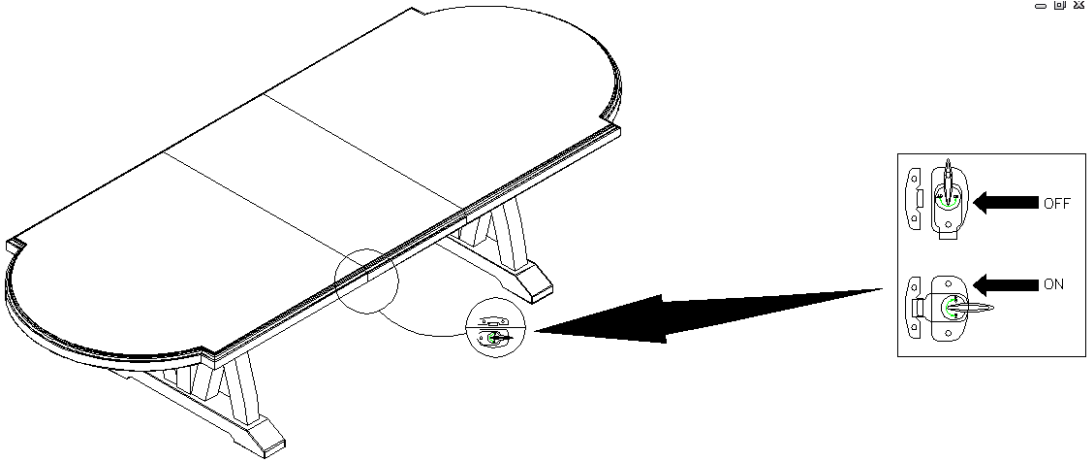
Diagram 2

Assembly Steps:

1. Place table top (G) upside down on a soft surface to prevent it from scratching.
2. Screw stretcher to base by using bolts (B), lock washers (C) and flat washers (D), tighten with allen wrench (A). (See diagram 1)
3. Attach table base (F) to table top (G) by using bolts (E), lock washers (C) and flat washers (D), tighten all bolts (E) with allen wrench (A). (See diagram 2)
4. Turn table upright

Assembly instruction for table leaf:

- 1. There are switches at the bottom of table top, turn off the latches as shown.



Cleaning Instruction: Clean finished parts with a damp cloth using a mild dishwashing liquid and water solution. Polish the finish with soft cloth and an industry recognized furniture polish.