

88 5079 15 Office Desk

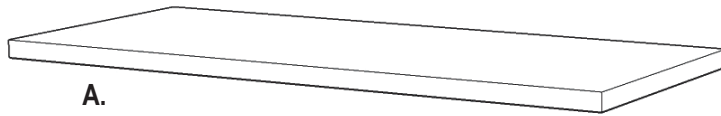
IMPORTANT NOTE

Carefully remove all the parts from the carton and put them individually on a soft cloth to prevent scratches or other damages occurring to the wood parts.

We have taken great care in the design of this product and request that you carefully and strictly follow our assembly instructions to ensure a completed product as it was designed.



Part List



A.
Top
1 pc.



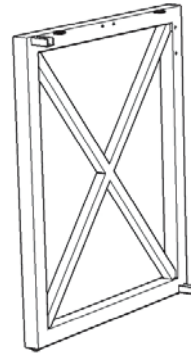
D.
Front Rail
1 pc.



E.
Stretcher
1 pc.



F.
Back Frame
1 pc.



B.
Side Frame
1 pc.



C.
Side Frame
1 pc.



G.
Stretcher
1 pc.

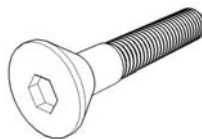
Hardware List



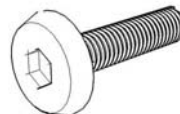
Small
Hex Wrench
1 pc.



Hex Wrench
1 pc.



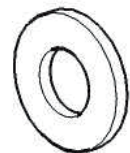
M6x38
Head Cap Bolt (long)
4 pcs.(+1 extra)



M6x16
Head Cap Bolt
18 pcs.(+1 extra)



Spring Washer
18 pcs.(+1 extra)



Flat Washer
18 pcs.(+1 extra)

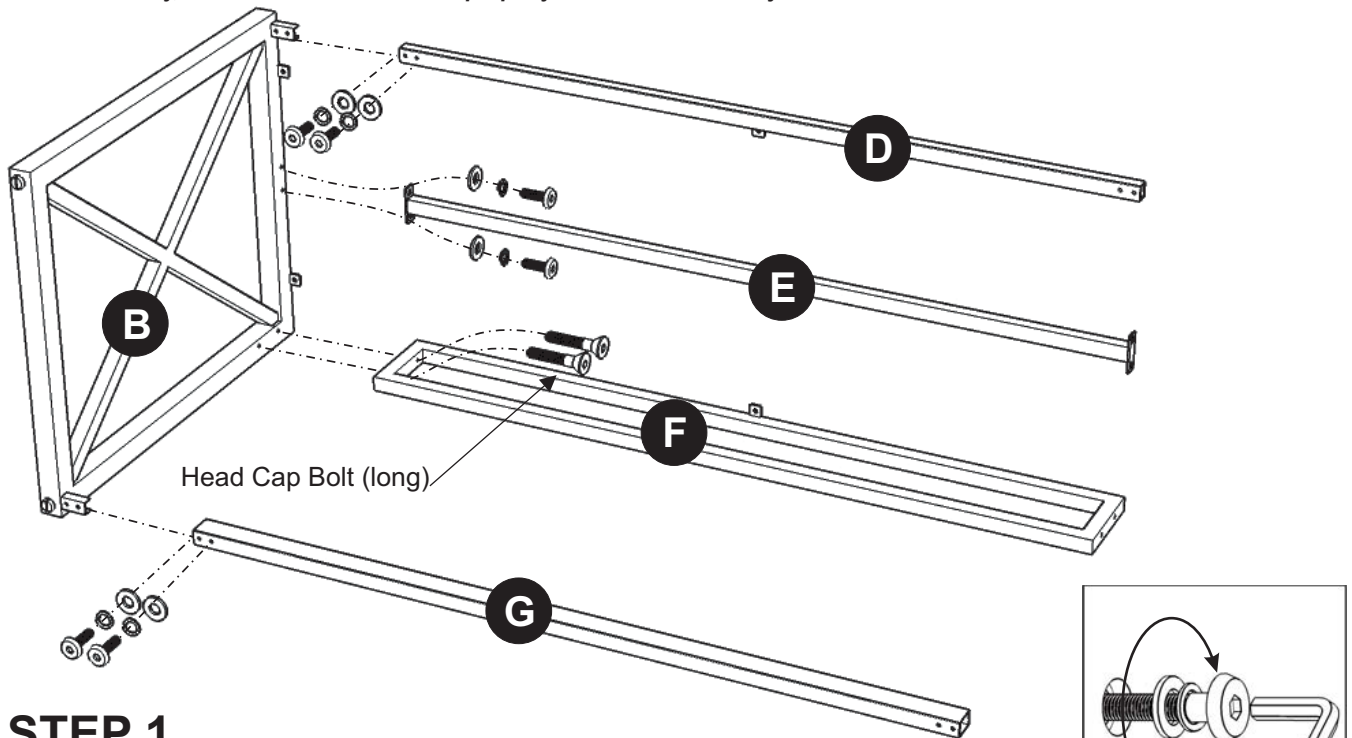
Tools required for assembly : Level

Home Styles Consumer Assistance: www.homestyles-furniture.com,
servicedesk@homestyles-furniture.com, 888-680-7460, 877-831-0319

Assembly Instructions 2/3

IMPORTANT

- * Do not tighten up all the Head Cap Bolts until each part is properly assembled.
- * You should keep Hex Wrench in a safe place as you may need to tighten up the Head Cap Bolts in the future.
- * Use a soft cloth between these parts and the floor.
- * After assembly, item must be level to work properly. Use the included adjustable levelers to level.

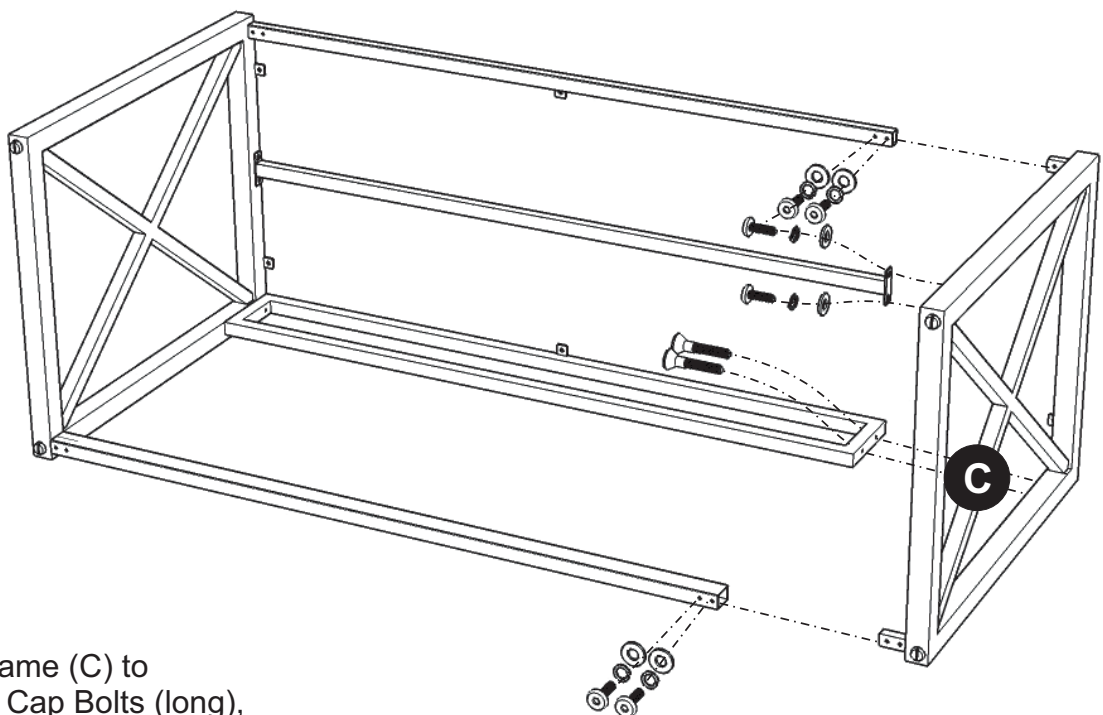


STEP 1

Attach Front Rail (D), Stretchers (E), and (G) to Side Frame (B) with Head Cap Bolts, Spring Washers and Flat Washers. (See Figure 1)

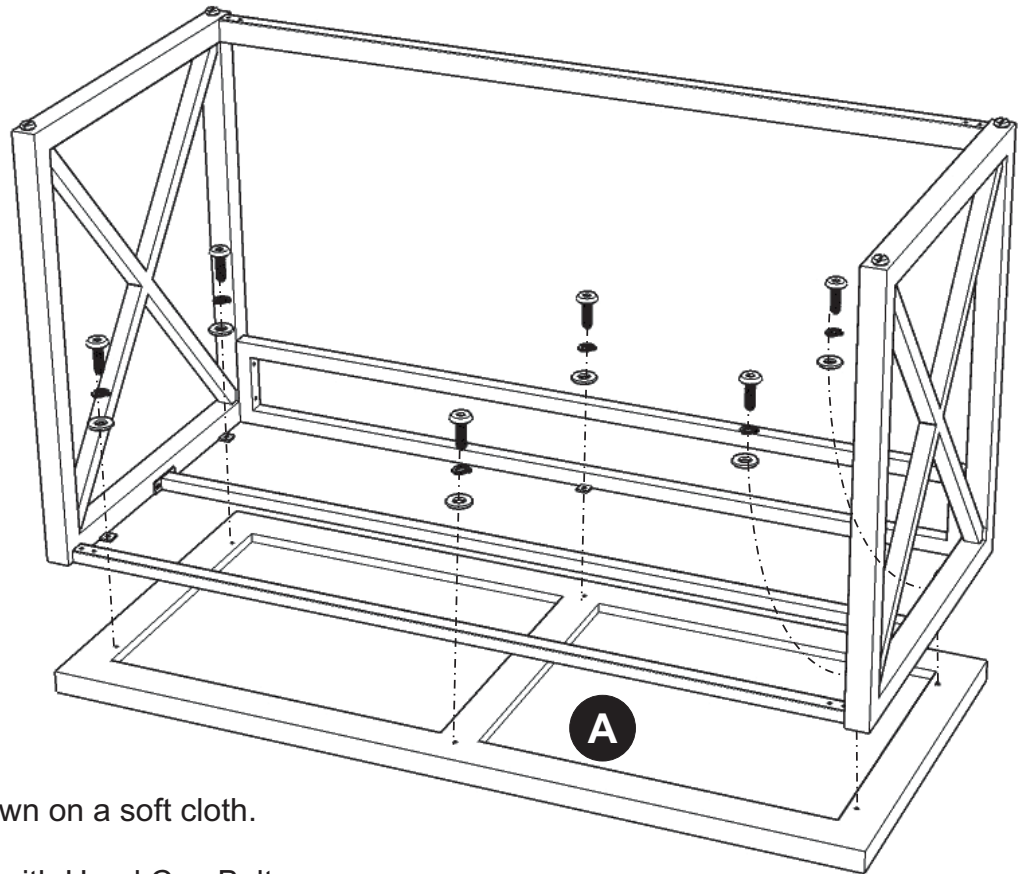
Attach Back Frame (F) to unit with Head Cap Bolts (long).

Figure 1



STEP 2

Attach Side Frame (C) to unit with Head Cap Bolts (long), Head Cap Bolts, Spring Washers and Flat Washers.



STEP 3

Put Top (A) upside down on a soft cloth.

Attach Top (A) to unit with Head Cap Bolts, Spring Washers and Flat Washers.

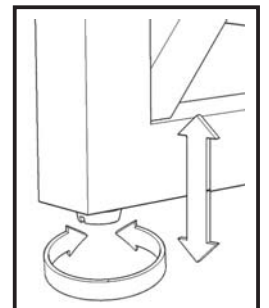
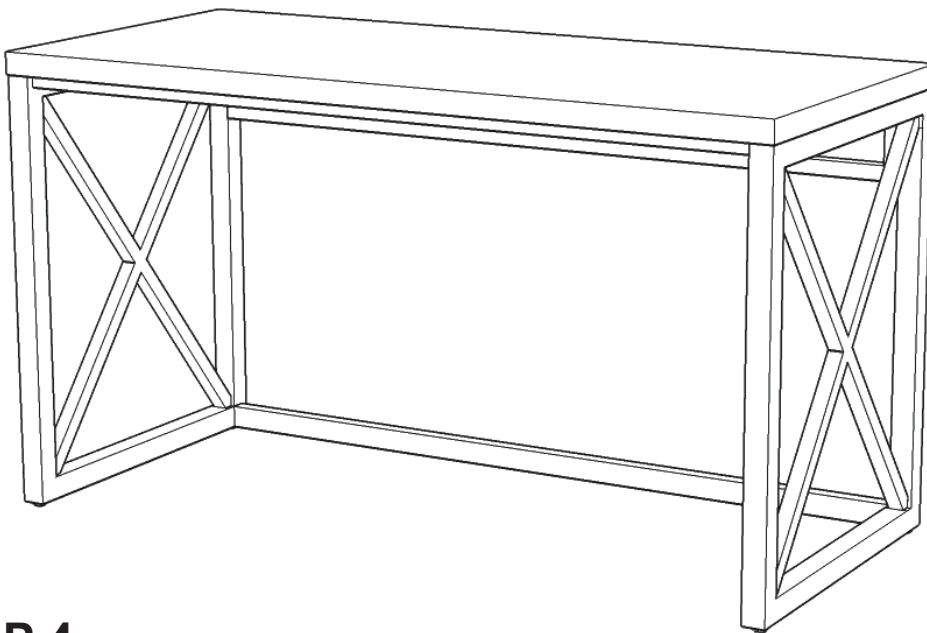


Figure 2

STEP 4

Turn the unit to its' upright position.

To level the unit, adjust the adjustable levelers on the bottom of side frames. (See Figure 2)

Note : Unit must be level to work properly.