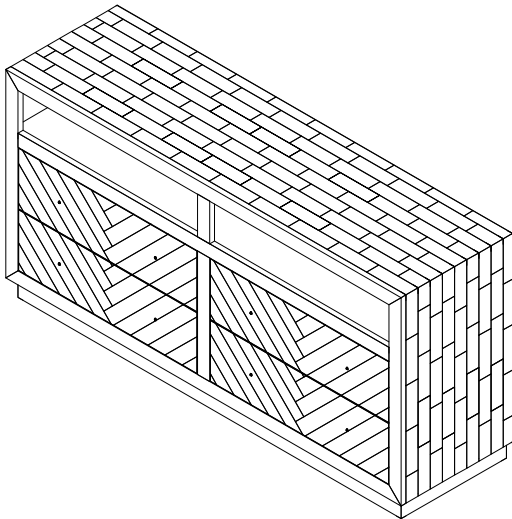


ALEXANDRA 64" 4-DRAWER CONSOLE ASSEMBLY INSTRUCTIONS

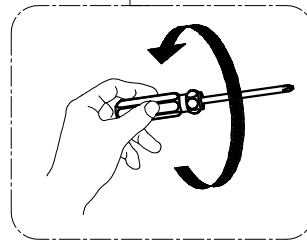
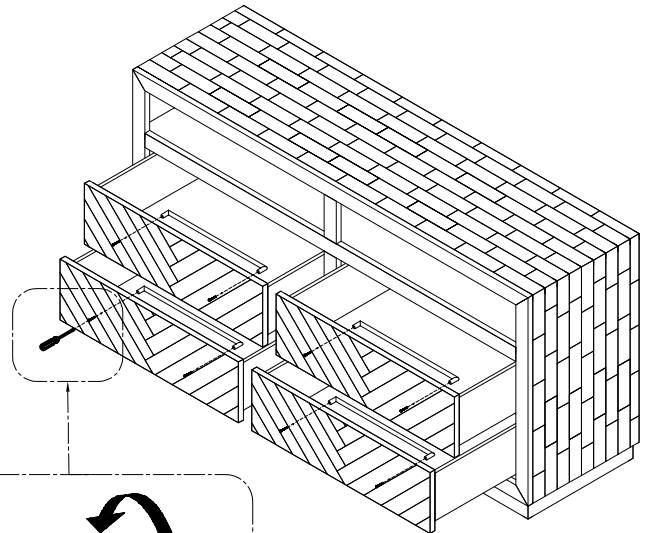


BOX #1

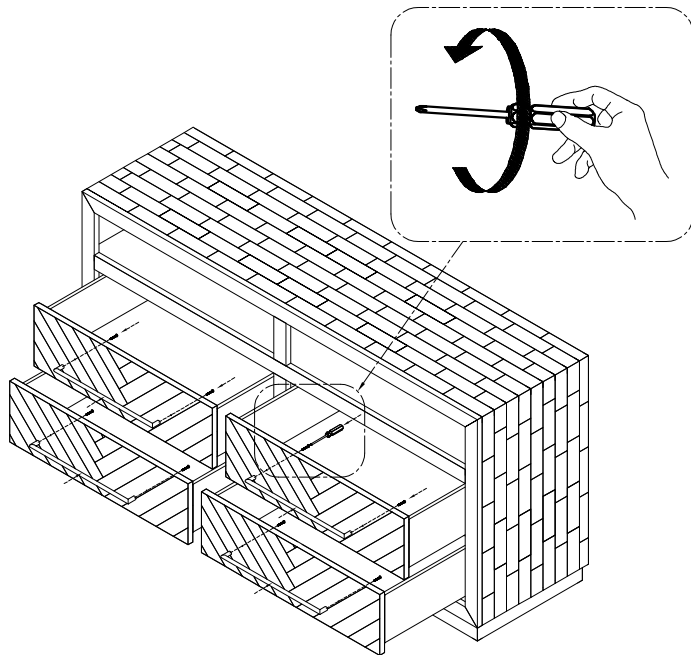
A. CONSOLE 64" 1PC



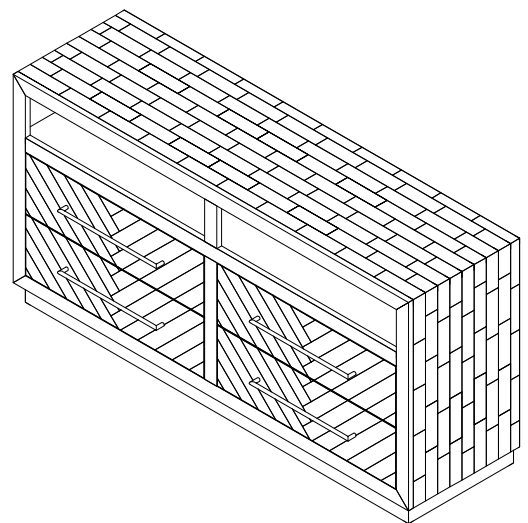
STEP 1 :



STEP 2 :



ASSEMBLY COMPLETE



TOOL REQUIRED PHILLIPS HEAD SCREWDRIVER
(NOT PROVIDED)

