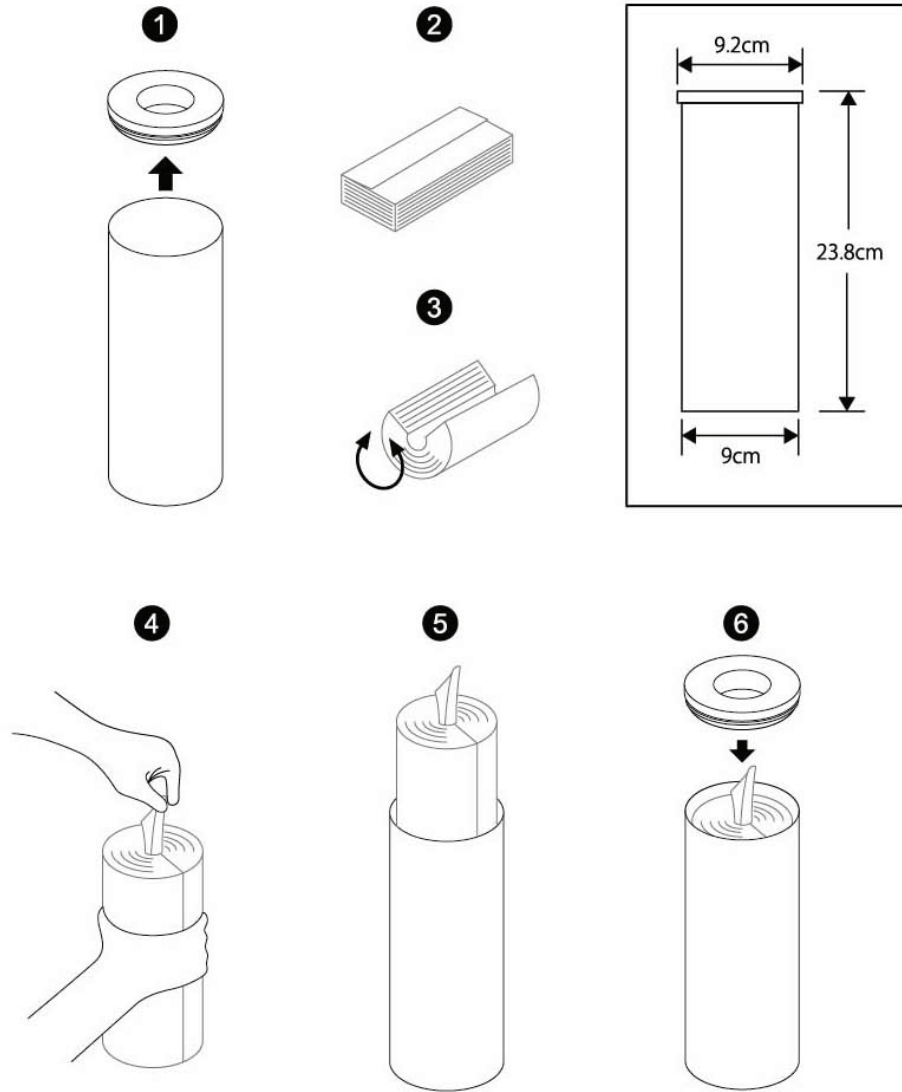


PRODUCT NUMBER

05981:BR 05982:NA



EN/
Rin Round Tissue Case L

SIZE
3.6" w x 3.6" d x 9.4" h
9.2w x 9.2d x 23.8h cm

MATERIAL
Steel , Wood , Silicone

Made in China.
Designed in Japan.

FR/
Rin Boite À Mouchoirs
Ronde L

TAILLE
9.2w x 9.2d x 23.8h cm

MATÉRIEL
Acier , Bois , Silicone

Fabriqu  en Chine.
Con u au Japon.

DE/
Rin Runder
Taschentuchbeh lter L

GR SSE
9.2w x 9.2d x 23.8h cm

MATERIAL
Stahl , Holz , Silikon

In China hergestellt.
Entworfen in Japan.

ES/
Rin Caja De Pa uelos
Redonda L

TAMA O
9.2w x 9.2d x 23.8h cm

MATERIAL
Acero , Madera , Silicona

Hecho en China.
Dise ado en Jap n.

JP/
ボトル型ティッシュケース
リン L

SIZE
9.2w x 9.2d x 23.8h cm

MATERIAL
本体:スチ ル(粉体塗装)
蓋:天然木積層合板
パッキン:シリコン

Made in China.
Designed in Japan.

Yamazaki

www.theyamazakihome.com

Imported by:
YAMAZAKI EUROPE GmbH / Immermannstr. 33, 40210 Dusseldorf, Germany
YAMAZAKI USA Inc. / 67 West St, Brooklyn, NY 11222 United States
YAMAZAKI Co., Ltd. / 奈良県生駒郡安堵町窪田851-1